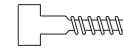


ASSEMBLY GUIDE

Farmhouse Planks

In the trestles box you will find:

2x Sets of trestles, 4x Flat head hex screws, 8x Dowels, 1x Hex key, 6x Adjustable feet



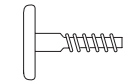
4x Flat head hex screws



8x Dowels



1x Hex key



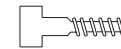
6x Adjustable feet

In the table top box you will find:

2x Planks top, 2x Metal bracket, 4x Flat head hex screws, 1x Hex key



2x Metal bracket

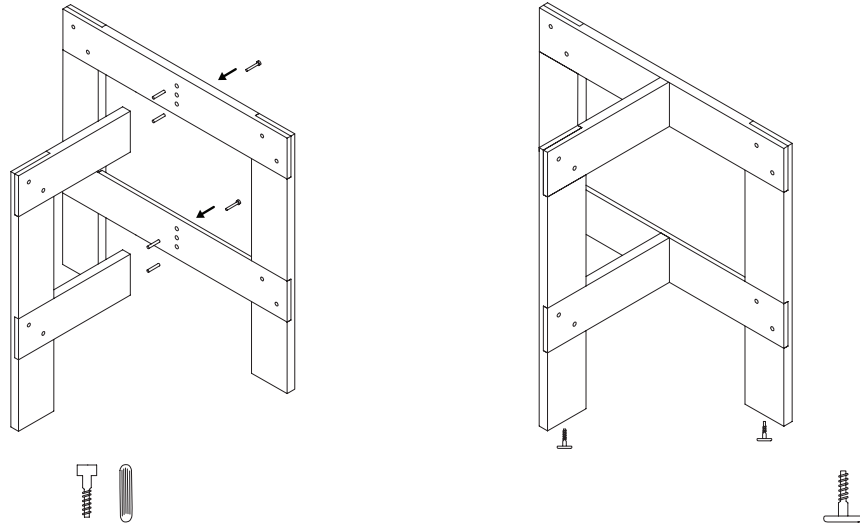


4x Flat head hex screws

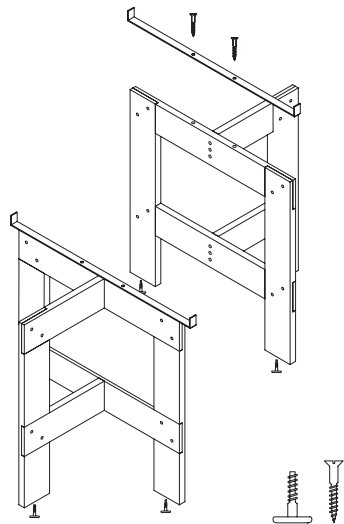


1x Hex key

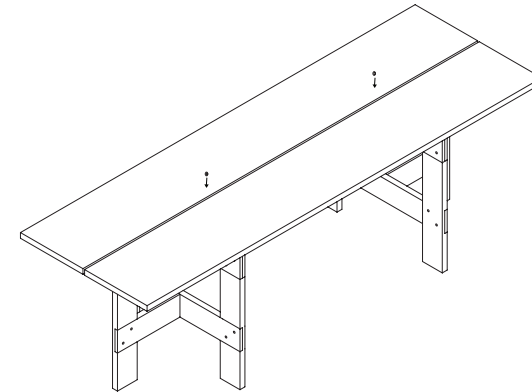
1. Start by placing the short half of the trestle perpendicularly to the long one. Attach the two pieces by inserting and securing the dowels in the pre-drilled holes. To hold the base together, make all the components coincide and connect them to the side legs. Use the adjustable feet, if needed, by screwing them on the pre-drilled holes underneath the trestles.



2. Use a screwdriver to screw the brackets to the trestles with flat-head screws. Make sure they are placed correctly following the pre-drilled holes.



3. To keep the gap between the planks glue the two adhesive transparent spacers in between as provided with Trestle table top.



4. Side view of a correct mounted farmhouse plank table.

