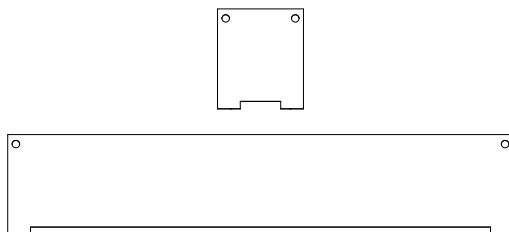


ASSEMBLY GUIDE

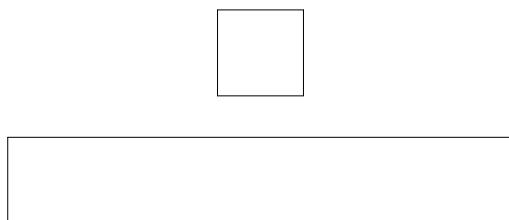
64 Plinth & Bench

In this box you will find:

1×Steel base, 1×Top, 10×Rubber protectors for Plinth or 16×Rubber protectors for Bench.



1×STEEL BASE FOR PLINTH / BENCH

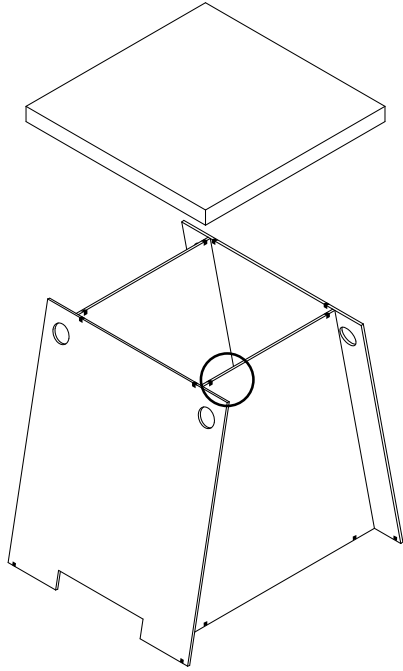


1×TOP FOR PLINTH / BENCH

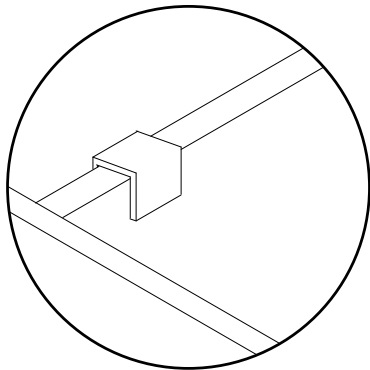


10 x or 16 x RUBBER PROTECTORS

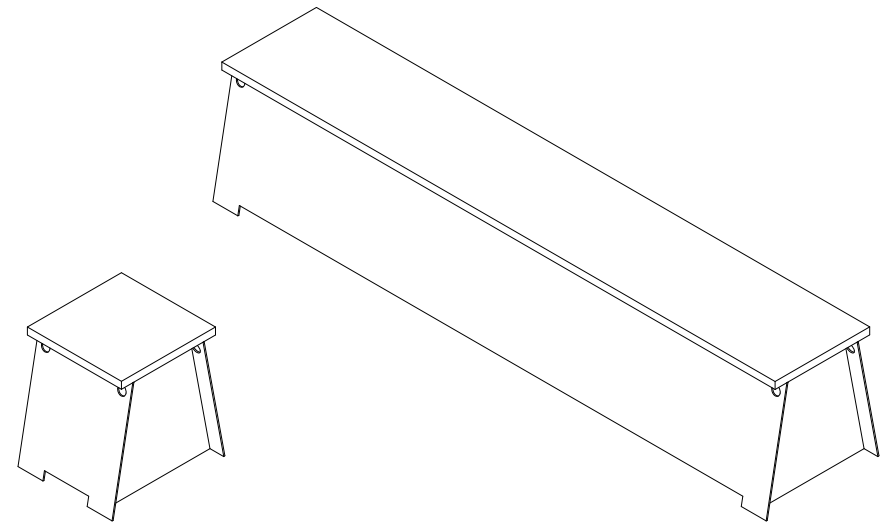
1. The 64 collection comes with small rubber protectors. We recommend to add half along the top between the steel base and the top. Add the other half of the rubber protectors along the bottom of the base to avoid scratching the floor. Please note there will be extra protectors to place in the middle of the bench for both between base and marble and under the feet.



2. Detailed view of the rubber protector along the metal base.



3. After you positioned the rubber protectors, place the top on the steel base.



FRAMA
Fredericiagade 57, 1310 Copenhagen K
+45 3140 6030 framacph.com

FRAMA