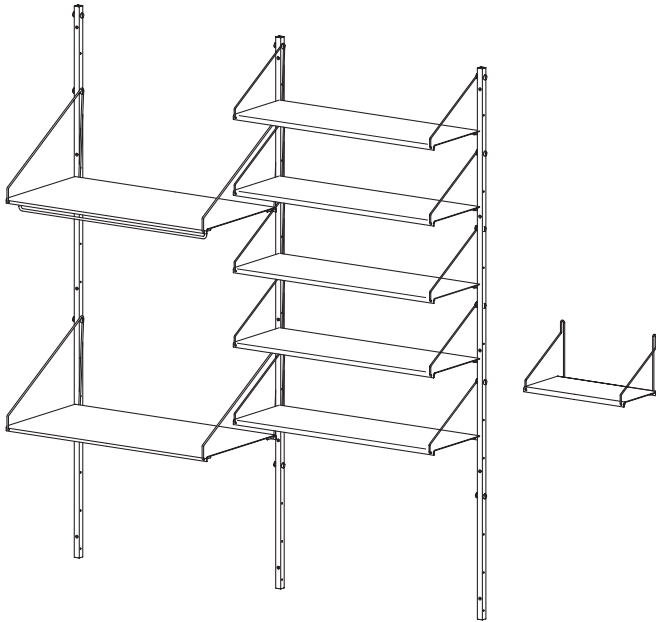


- ASSEMBLY GUIDE -

SHELF LIBRARY COLLECTION

Steel

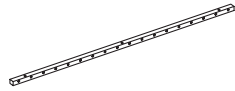


FRAMA

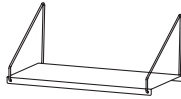
INDEX

- 3 Rail
- 7 Shelf
- 11 Single shelf
- 15 Hanger shelf

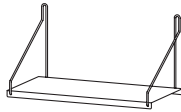
.....



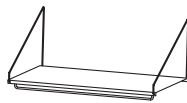
.....



.....



.....



RAIL

- PARTS -



A Rail

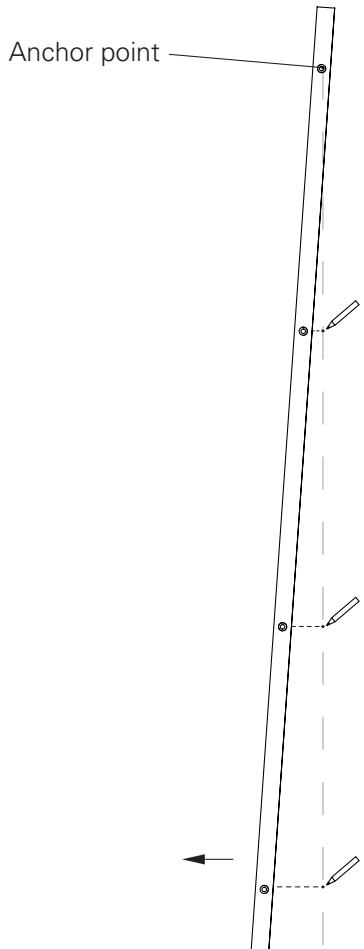
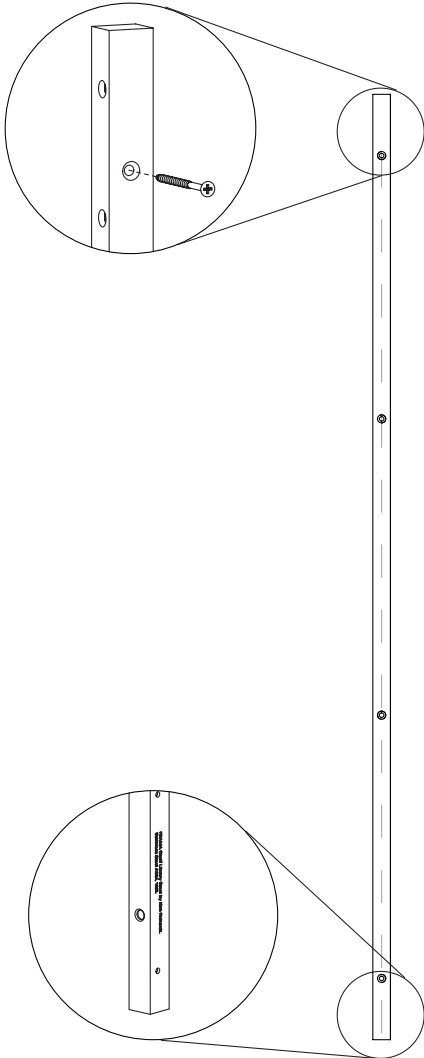


B Screw
x4 for 1084 rail
x5 for 1852 rail

1.

Place the first rail (A) on the desired position on the wall and put the screw (B) into the wall through the top hole. Depends on the wall type, pre-drilling and wall plug (not included) maybe required.

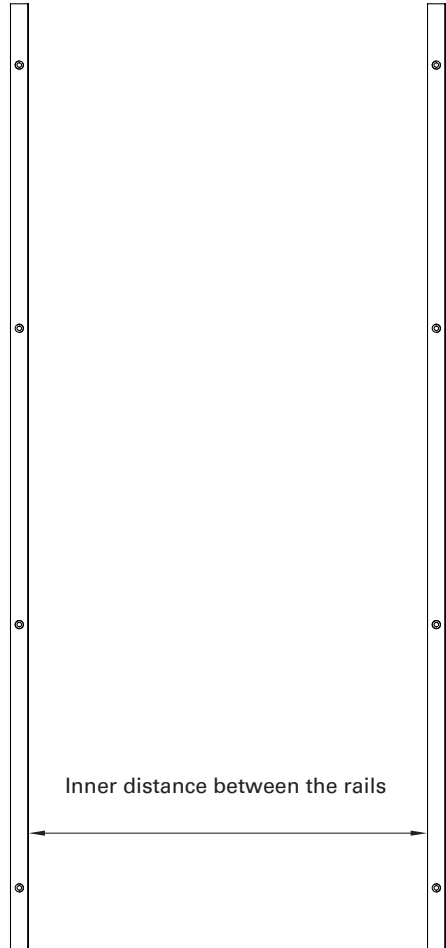
Use the the top hole as an anchor point and level the rail straight then mark the screw hole with a pencil or a sharp tool on the wall.



The logo text should be on the bottom side

2.

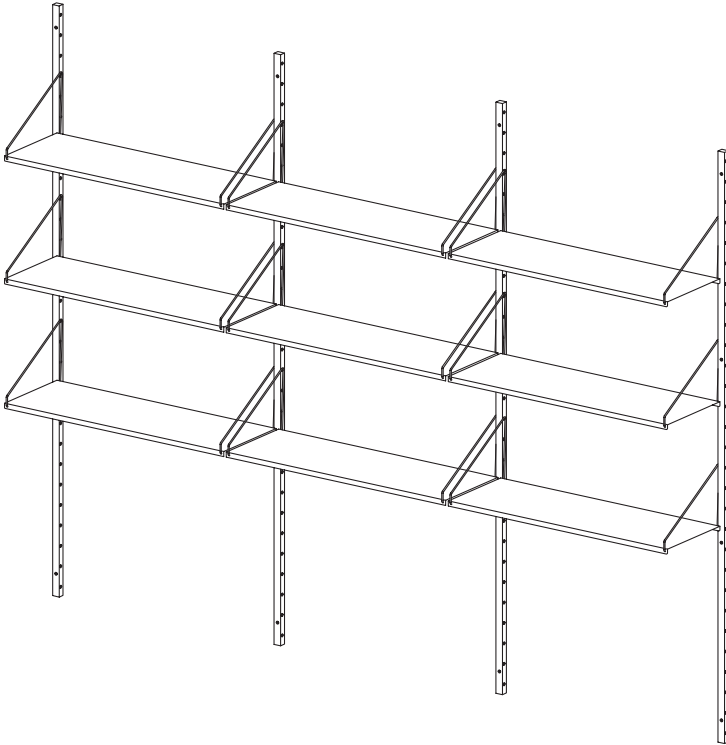
Finish mounting the first rail by putting the screws (B) into the marked position.
Measure the distances for the second rail (A), then mount the second rail by
repeating the same process on page 4.



40 cm shelf = 38.4 cm
60 cm shelf = 58.4 cm
80 cm shelf = 78.4 cm

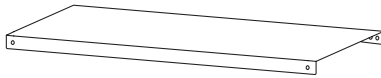
3.

To extend the system, repeat the same process on page 4 and 5.

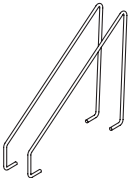


SHELF

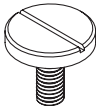
- PARTS -



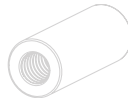
(A) Shelf x1



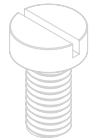
(B) Bracket x2



(C) Bolt x4



(D) Threaded insert x2

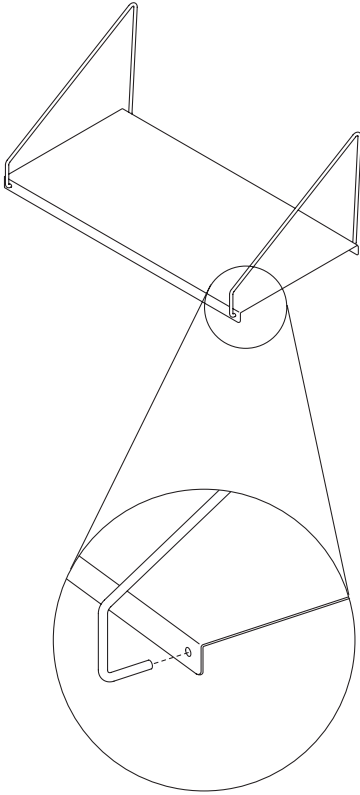


(E) Spacing bolt x1

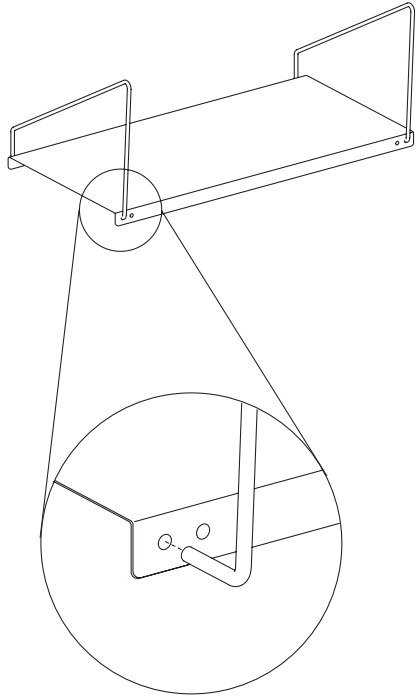
Only (A), (B), (C) are required for this assembly.

1.

Start by inserting bracket ends **(B)** into the holes on the shelf **(A)**.



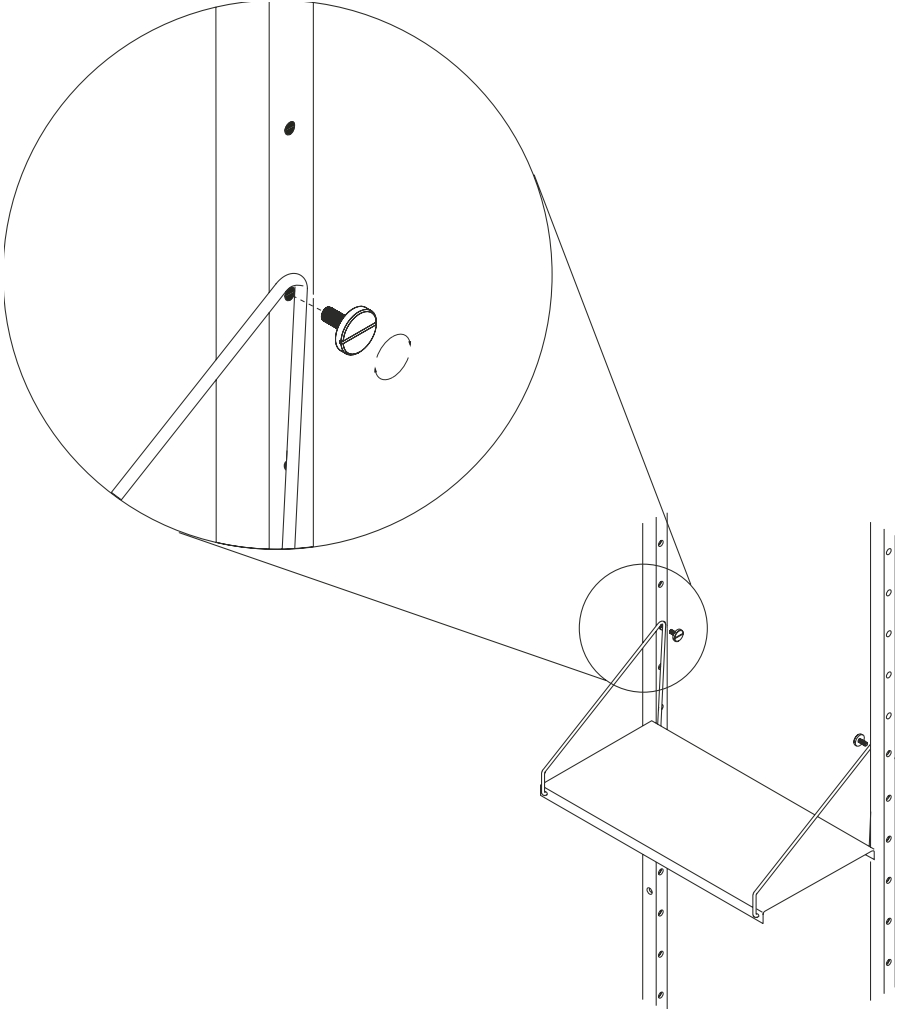
Front



Back

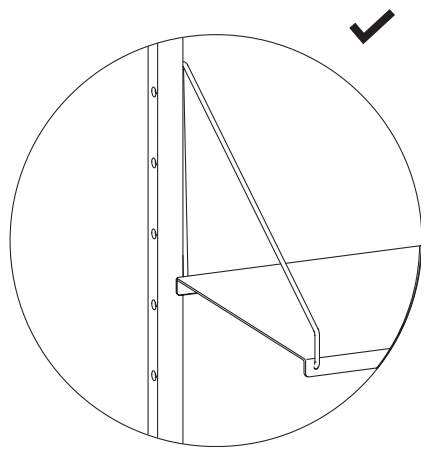
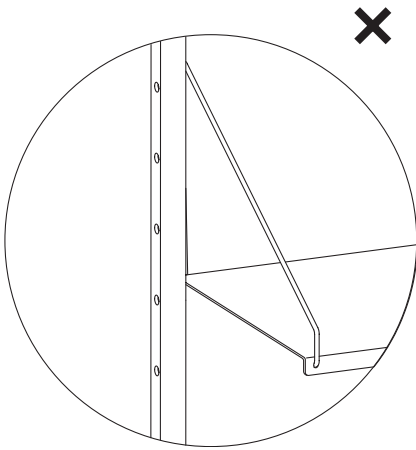
2.

Place the shelf at a desired position in the rail, secure the bracket **(B)** to the rail by fastening the bolts **(C)** to the threaded hole in the rail.



3.

Note that the back side of the shelf should be placed against the rail not to the wall.

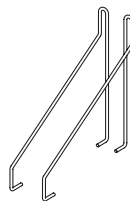


SINGLE SHELF

- PARTS -



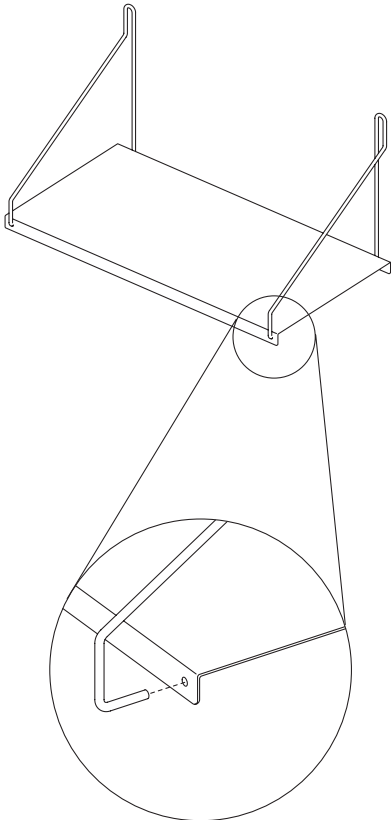
(A) Shelf x1



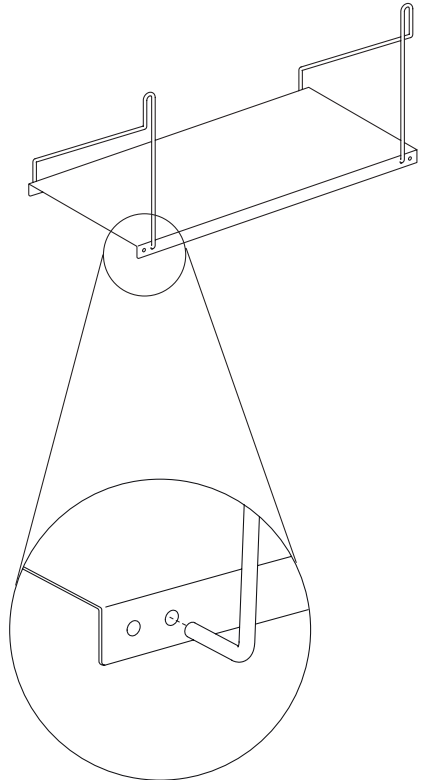
(B) Bracket x2

1.

Start by inserting bracket ends **(B)** into the holes on the shelf **(A)**.



Front



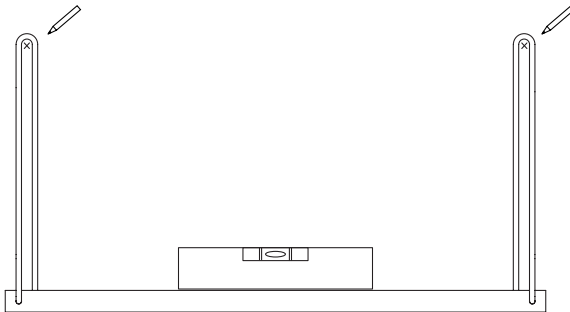
Back

2.

Make sure that the brackets are placed correct side.
Place the complete shelf against the wall, level it straight then mark screw holes
with a pencil or a sharp tool on the wall.

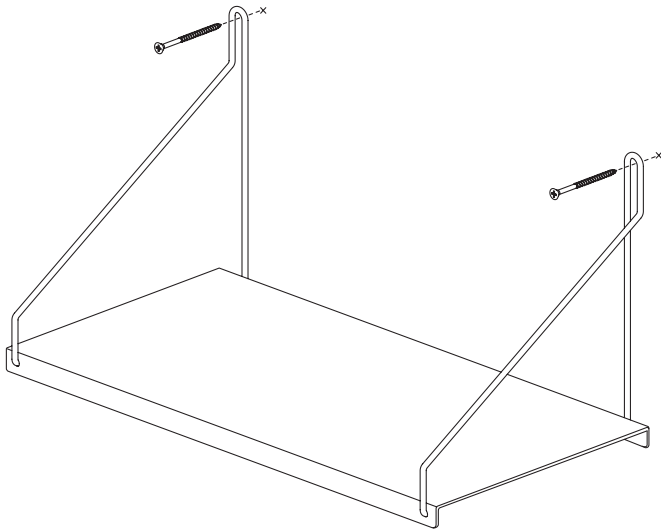


Front



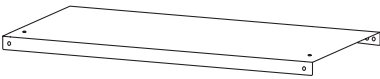
3.

Put screws into the marked position on the wall, then hang the bracket on. Depends on the wall type, pre-drilling and wall plug (not included) maybe required.



HANGER SHELF

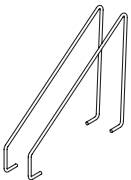
- PARTS -



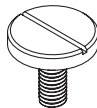
(A) Shelf x1



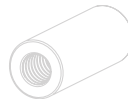
(B) Hanger x1



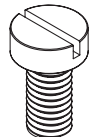
(C) Bracket x2



(D) Bolt x4



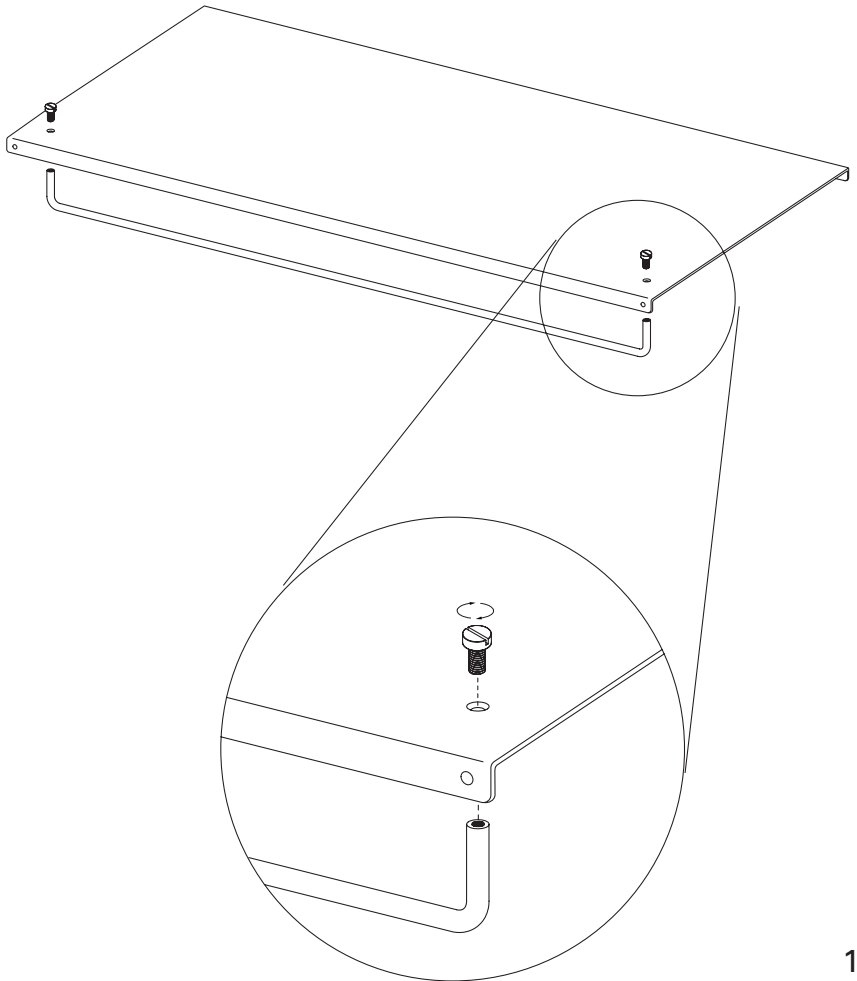
(E) Threaded
insert x2



(F) Hanger / Spacing
bolt x3

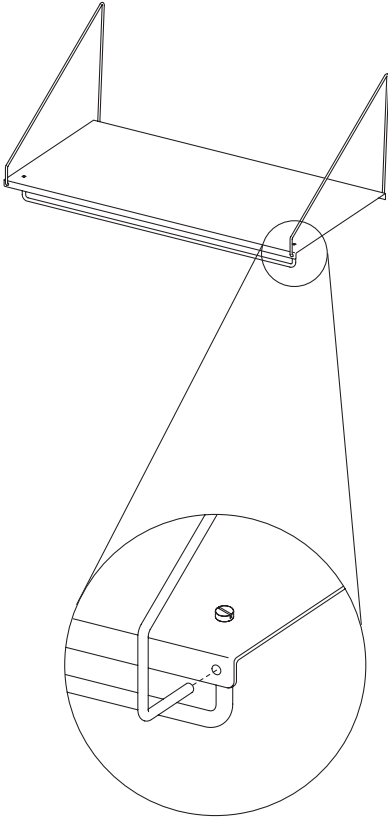
1.

Start by screwing the hanger bolts (F) into the hanger (B) through the shelf (A).

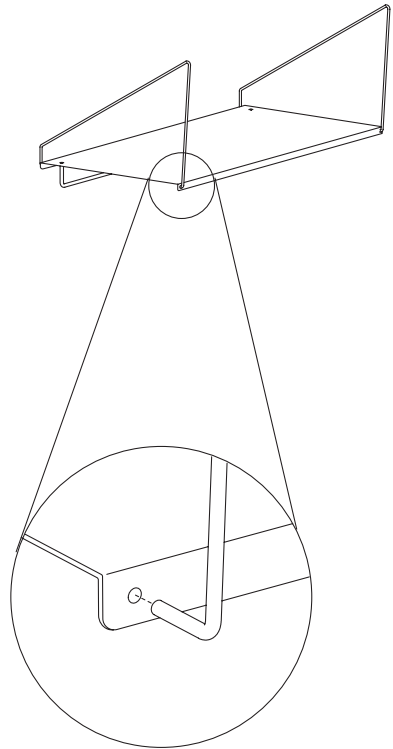


2.

Insert bracket ends ③ into the holes on the shelf ①.



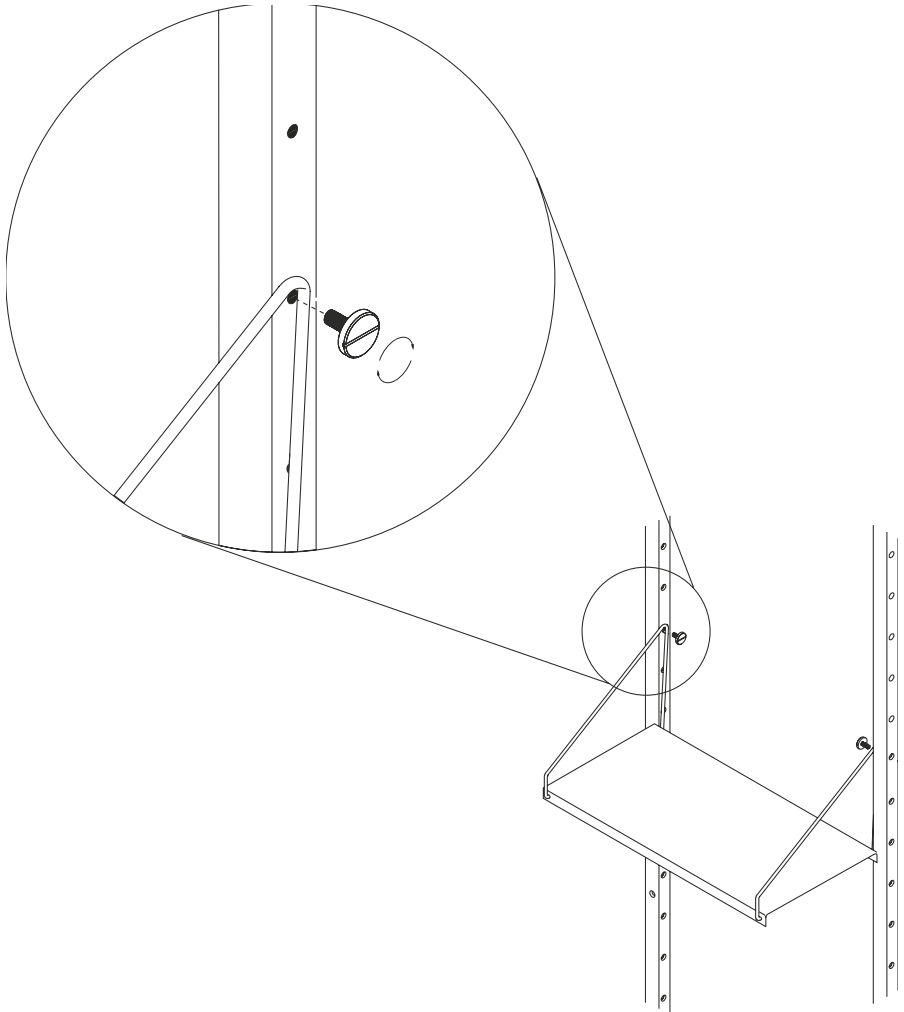
Front

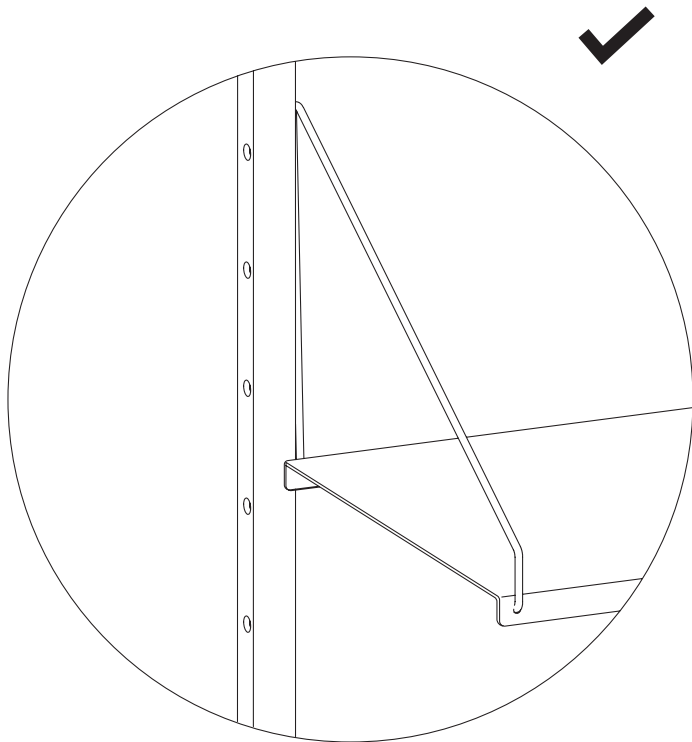


Back

3.

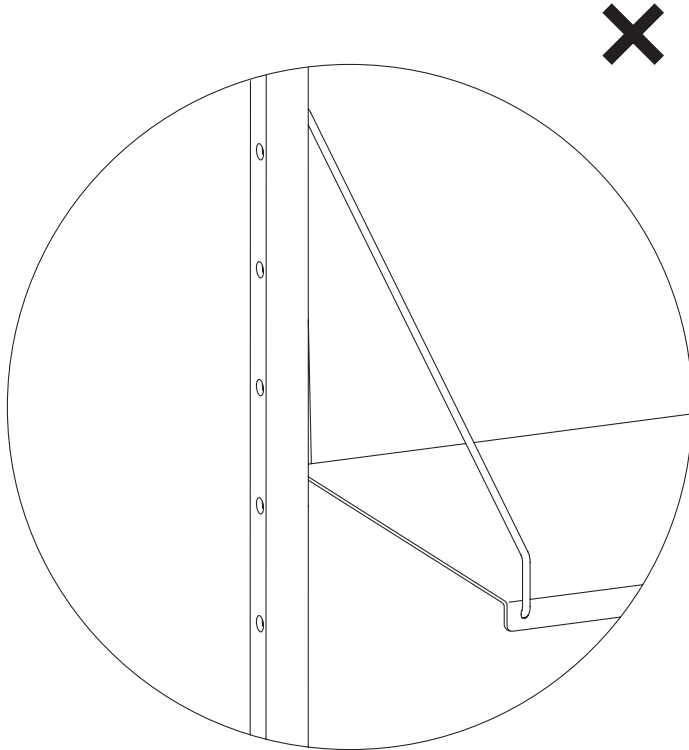
Place the shelf at a desired position in the rail, secure the bracket **Ⓒ** to the rail by fastening the bolts **Ⓓ** to the threaded hole in the rail.





4.

Note that the back side of the shelf should be placed against the rail not to the wall.



- Care & Maintenance Guide-

In order to preserve your new FRAMA pieces for years to come, we've produced a guide on the materials we use and how to best care for them. Following these instructions will help to maintain the appearance and quality of your items after repeated use and cleaning.

For material care and maintenance instructions, scan the QR code using your mobile device.



Access the guide on your desktop at
framaph.com/pages/material-care-guide

FRAMA
Fredericiagade 57, 1310
Copenhagen K
+45 3140 6030 framacph.com

FRAMA