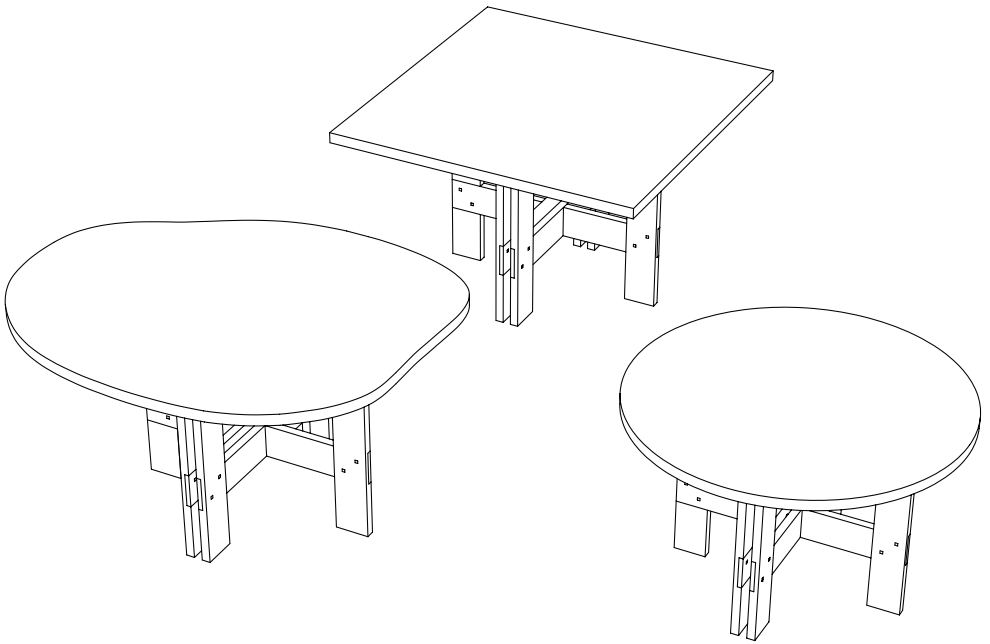


- ASSEMBLY GUIDE -

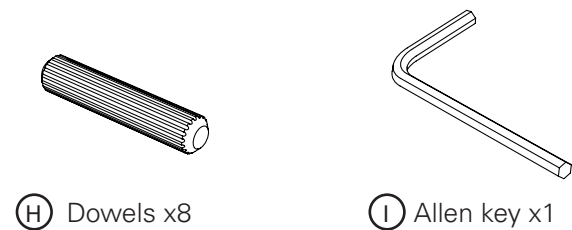
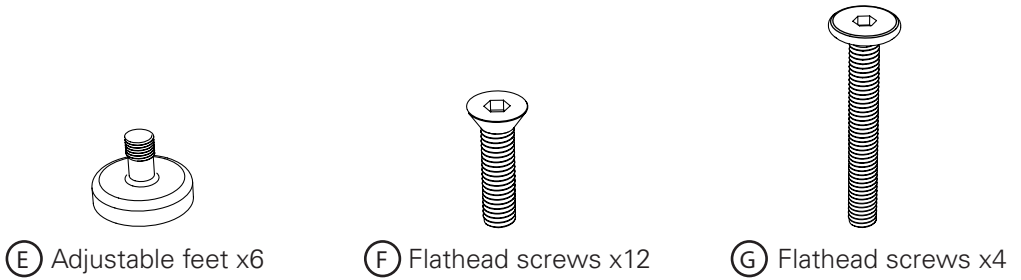
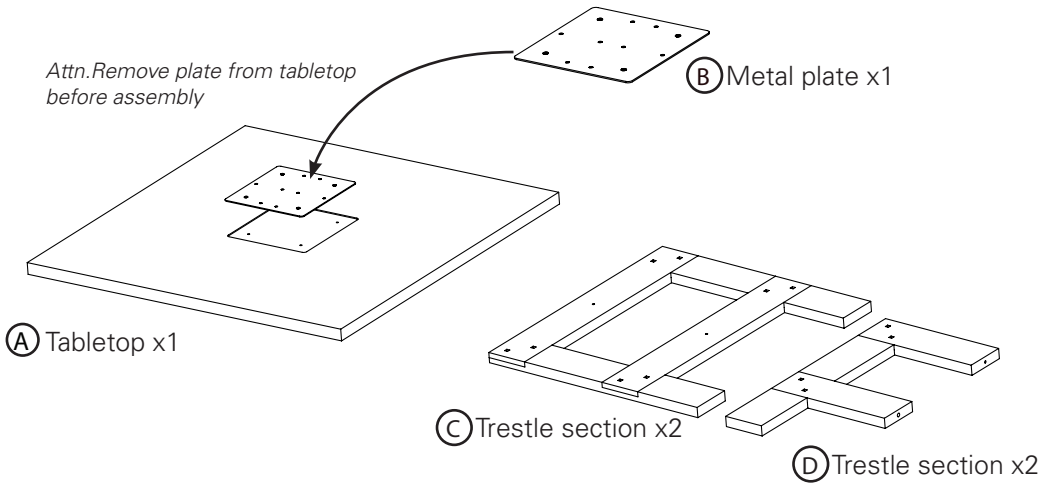
# FARMHOUSE DINING TABLE

Square | Round | Pond



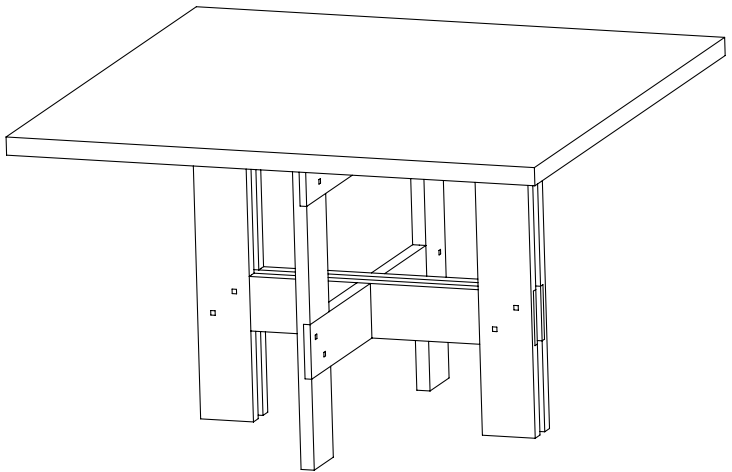
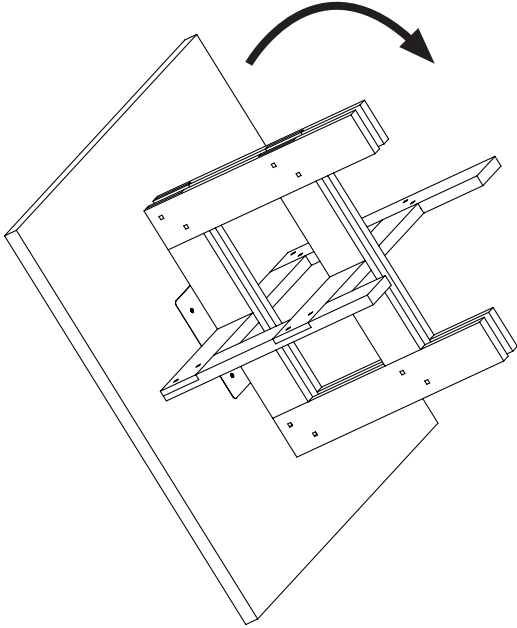
# FRAMA

- PARTS -



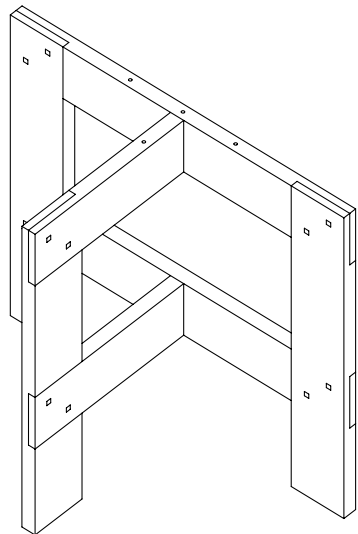
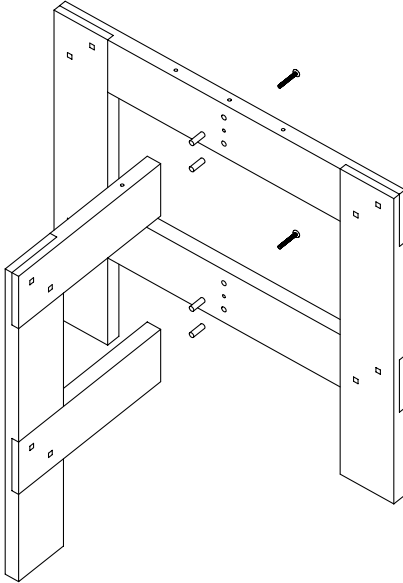
4.

Flip table around.



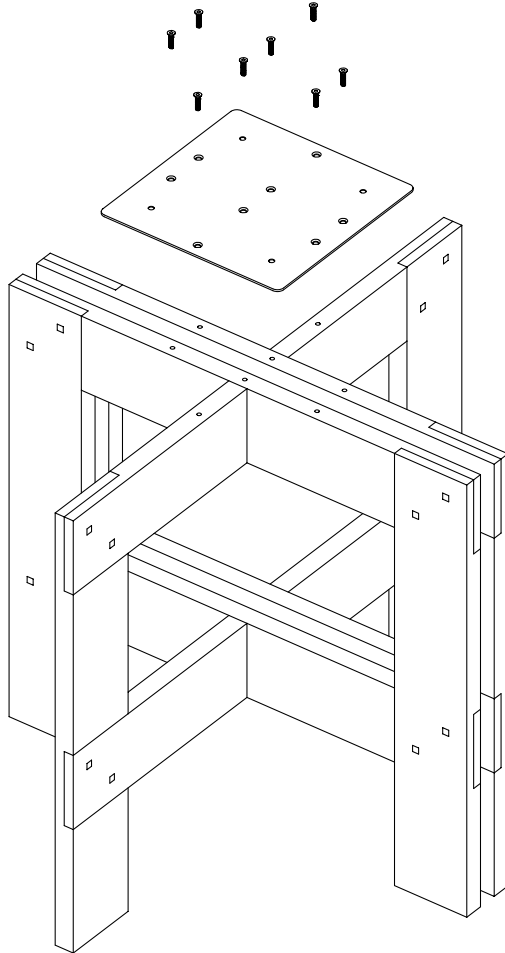
1.

Start by placing the trestle section (D) perpendicularly to part (C). Attach the two sections by inserting and securing the dowels (H) in the pre-drilled holes. Then fasten with the screws (G) using the allen key (I). Use the adjustable feet (E), if needed, by screwing them on the pre-drilled holes underneath the trestles.



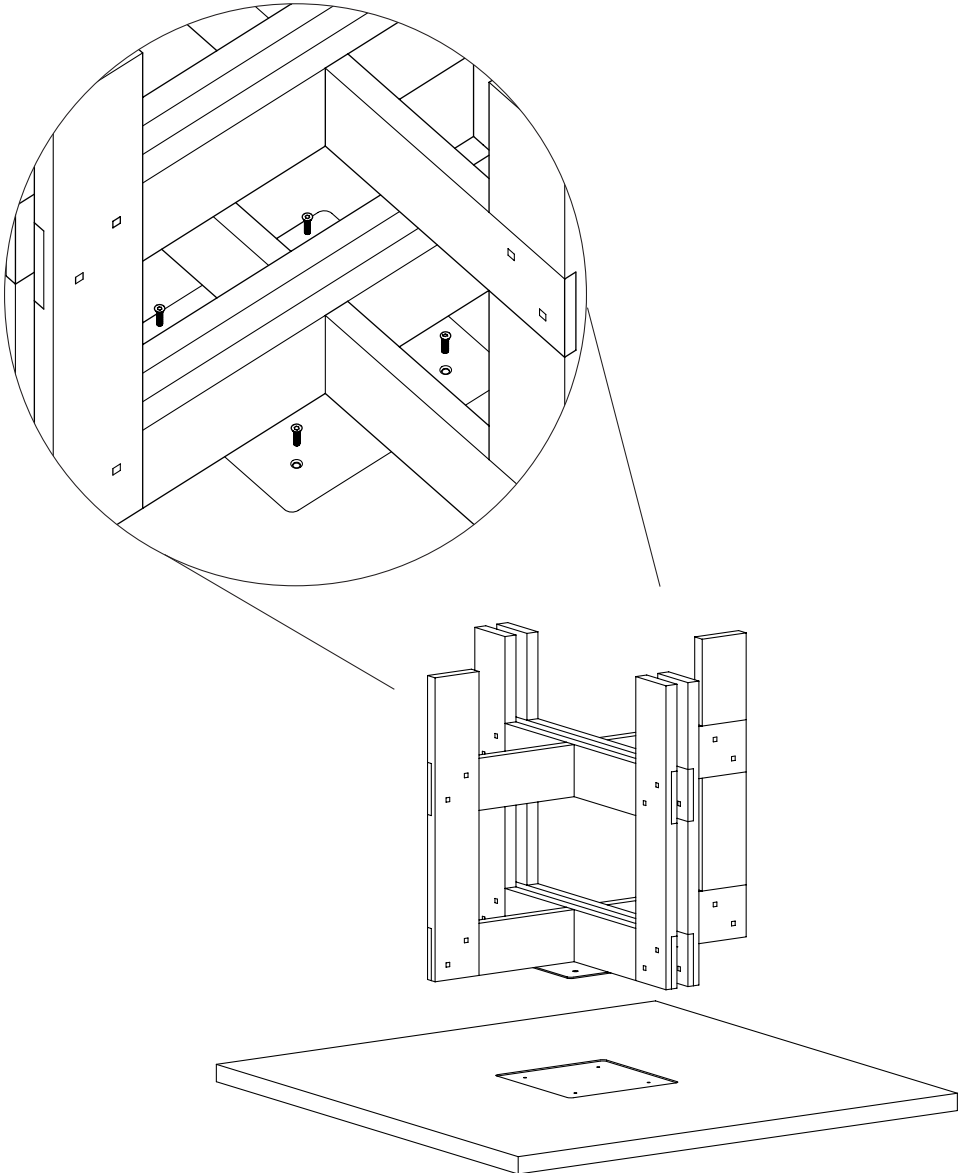
2.

Mount the metal plate (B) to the trestles.  
Fasten it with screws (F) using the allen key (I).



3.

Mount the trestle upside down with attached metal plate (B) to the tabletop (A).  
Fasten metal plate (B) to the tabletop with screws (F) using the allen key (I).



- MATERIAL & CARE GUIDE-

In order to preserve your new FRAMA pieces for years to come, we've produced a guide on the materials we use and how to best care for them. Following these instructions will help to maintain the appearance and quality of your items after repeated use and cleaning.

For material care and maintenance instructions, scan the QR code using your mobile device.



Access the guide on your desktop at  
**[framacph.com/pages/material-care-guide](https://framacph.com/pages/material-care-guide)**

FRAMA  
Fredericiagade 57, 1310  
Copenhagen K  
+45 3140 6030 [framacph.com](http://framacph.com)

**FRAMA**