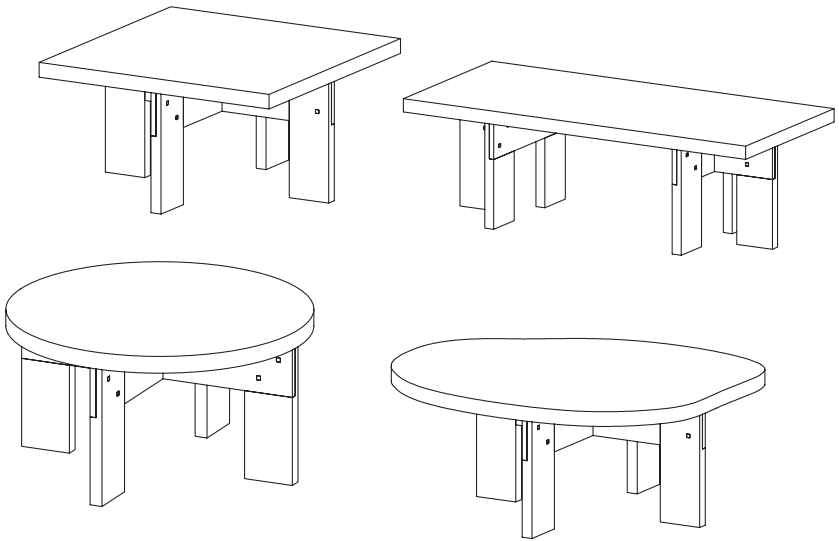


- ASSEMBLY GUIDE -

FARMHOUSE COFFEE TABLE

Square | Round | Pond | Rectangular

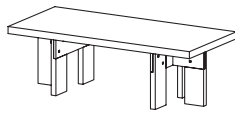
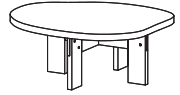
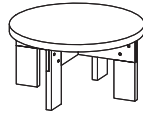
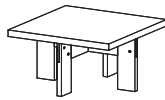


FRAMA

INDEX

3 Square | Round | Pond

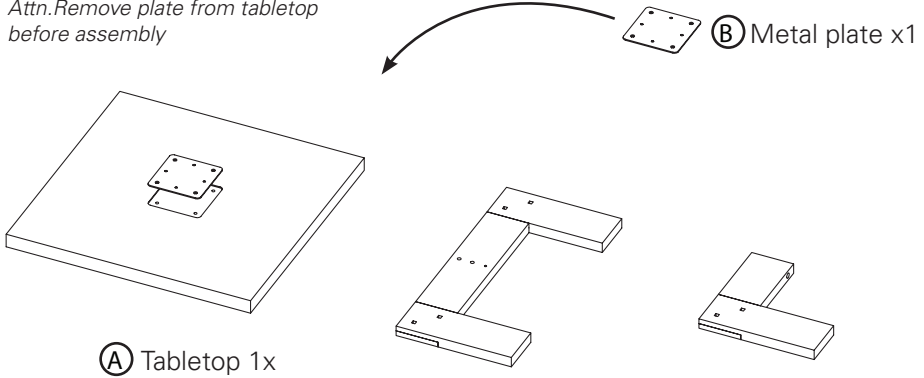
9 Rectangular



Square | Round | Pond

- PARTS -

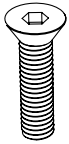
Attn. Remove plate from tabletop before assembly



(A) Tabletop 1x

(C) Trestle section
1x

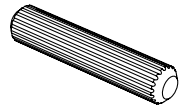
(D) Trestle section
2x



(E) Flathead screw 8x



(F) Cam screw 2x



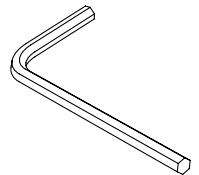
(G) Dowels 2x



(H) Connector 2x



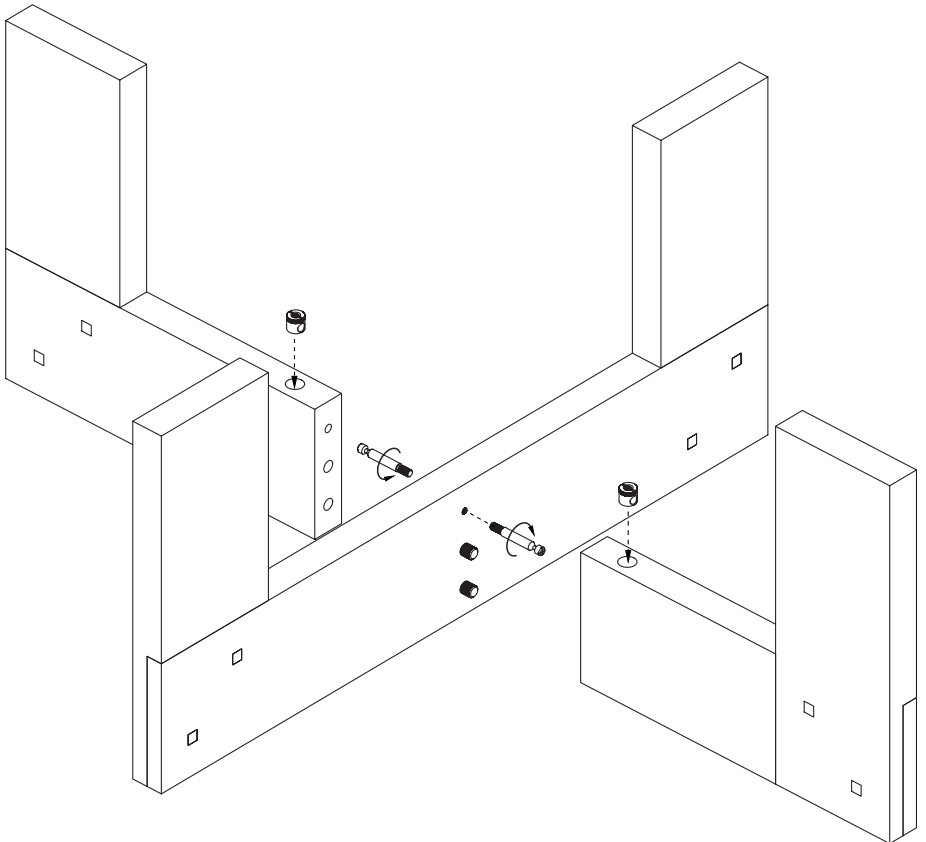
(I) Set screw 2x



(J) Allen Key 1x

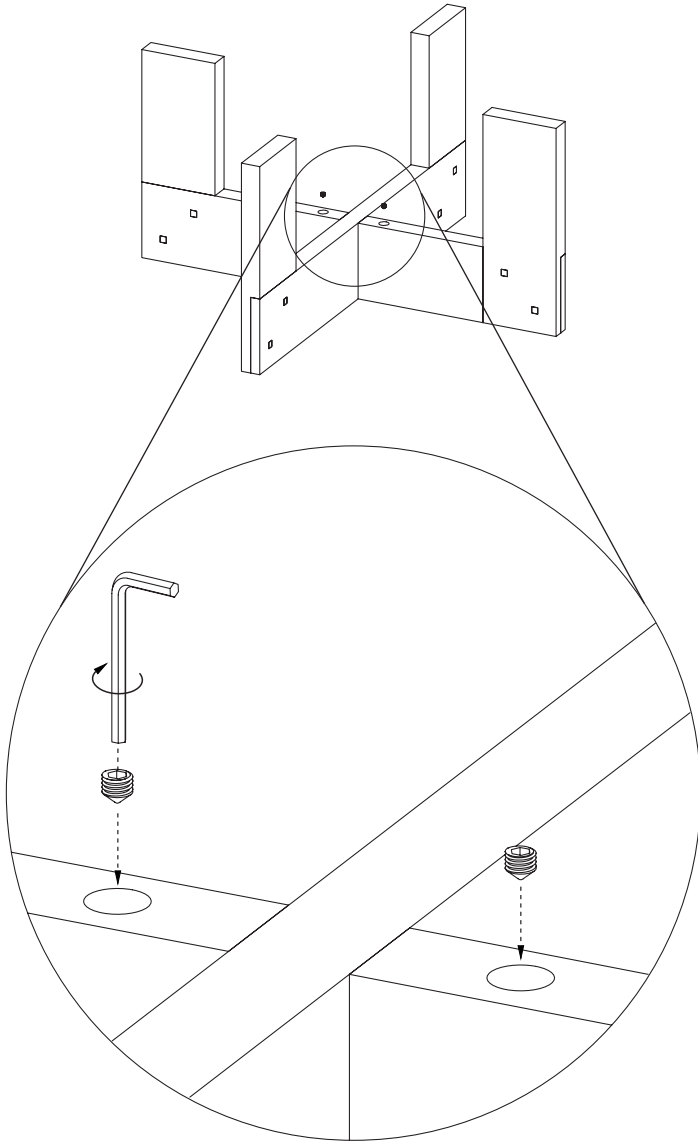
1.

Start by placing the trestle section (D) perpendicularly to part (C). Insert the connector (H) into the pre-drilled hole on the trestle section (D). Attach the two sections by inserting and securing the dowels (G) and Cam screw (F) in the threaded holes.



2.

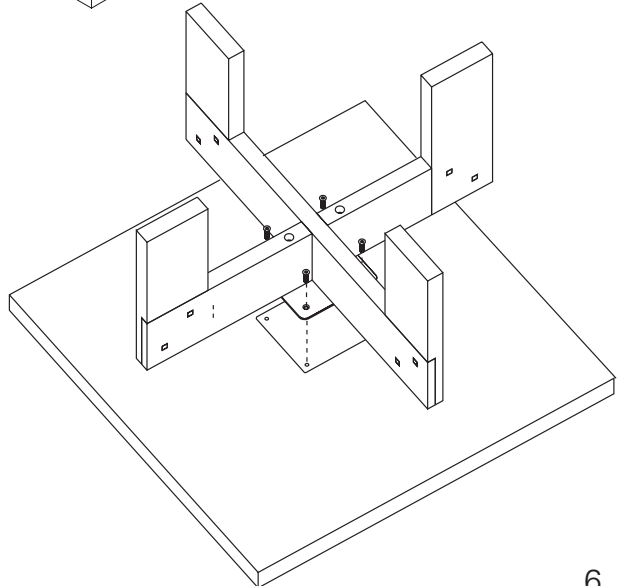
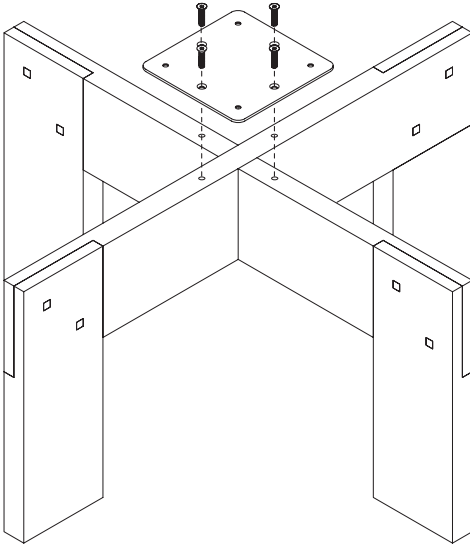
Secure the trestle section (D) by fastening the set screw (I) to the connector (H) with allen key (J)



3.

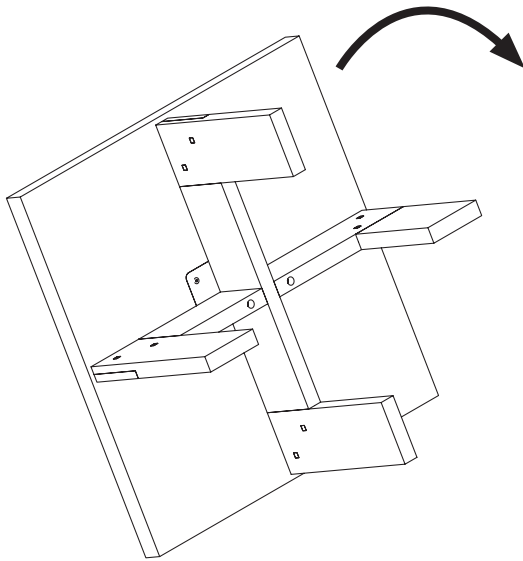
Mount the metal plate (B) to the trestles.
Fasten it with screws (E) using the allen key (J).

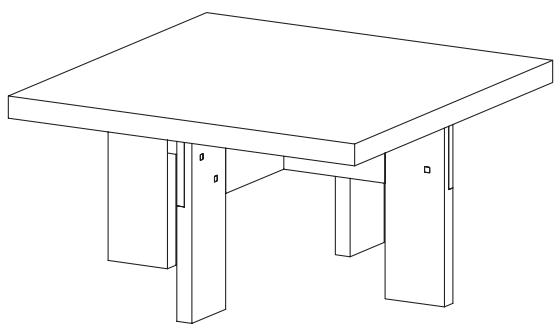
Then mount the trestle upside down with attached metal plate (B)
to the tabletop (A). Fasten the trestle to the tabletop with screws (E) using the
allen key (J).



4.

Flip the table around.

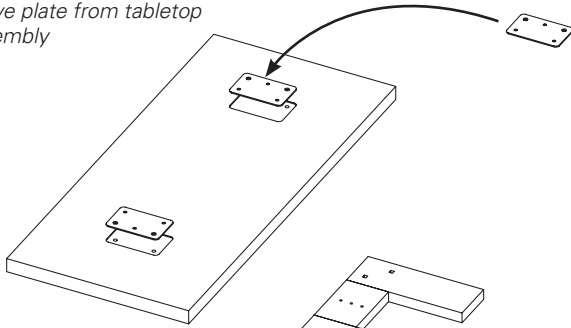




Rectangular

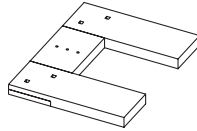
- PARTS -

Attn. Remove plate from tabletop before assembly

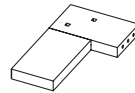


Ⓑ Metal plate x2

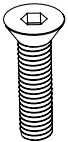
Ⓐ Tabletop x1



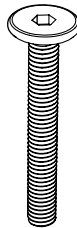
Ⓒ Trestle section x2



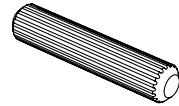
Ⓓ Trestle section x2



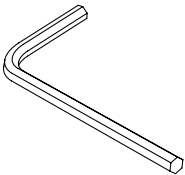
Ⓔ Flathead screw x 10



Ⓕ Flathead screw x2



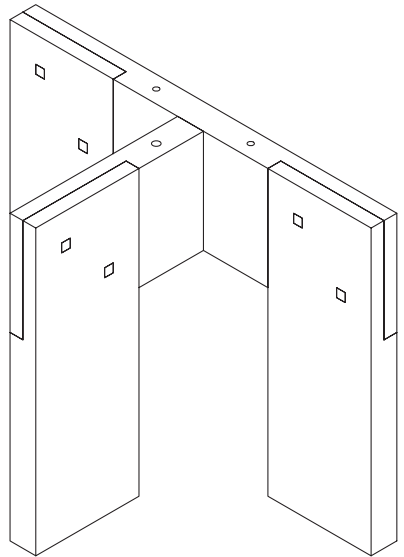
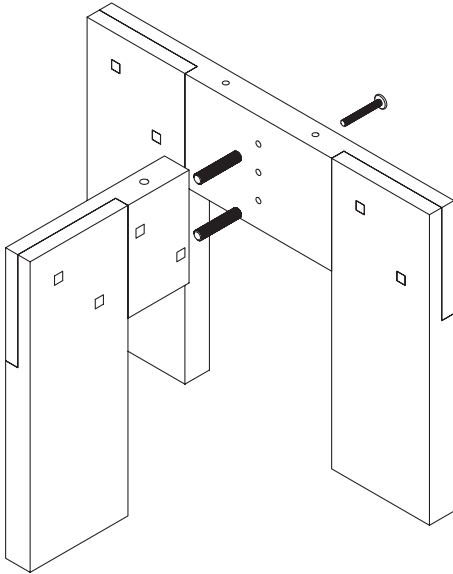
Ⓖ Dowel x4



Ⓗ Allen Key x1

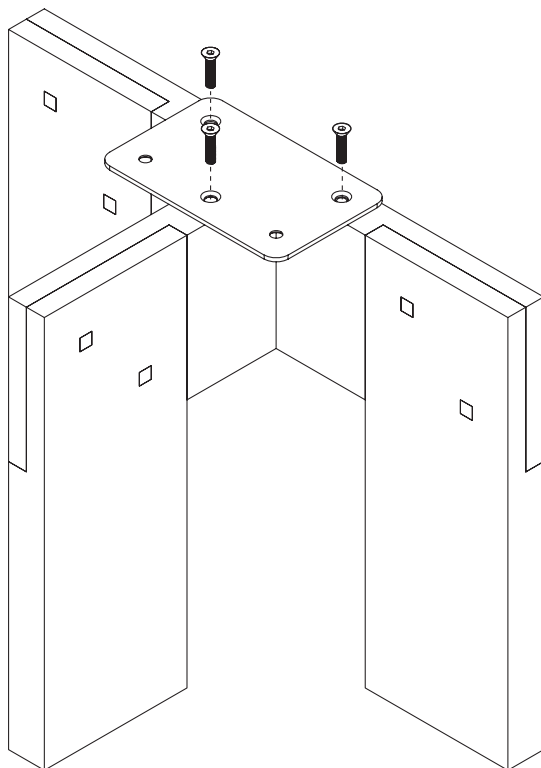
1.

Start by placing the trestle section (D) perpendicularly to part (C). Attach the two sections by inserting and securing the dowels (G) in the pre-drilled holes. Then fasten with the screws (F) using the allen key (H).



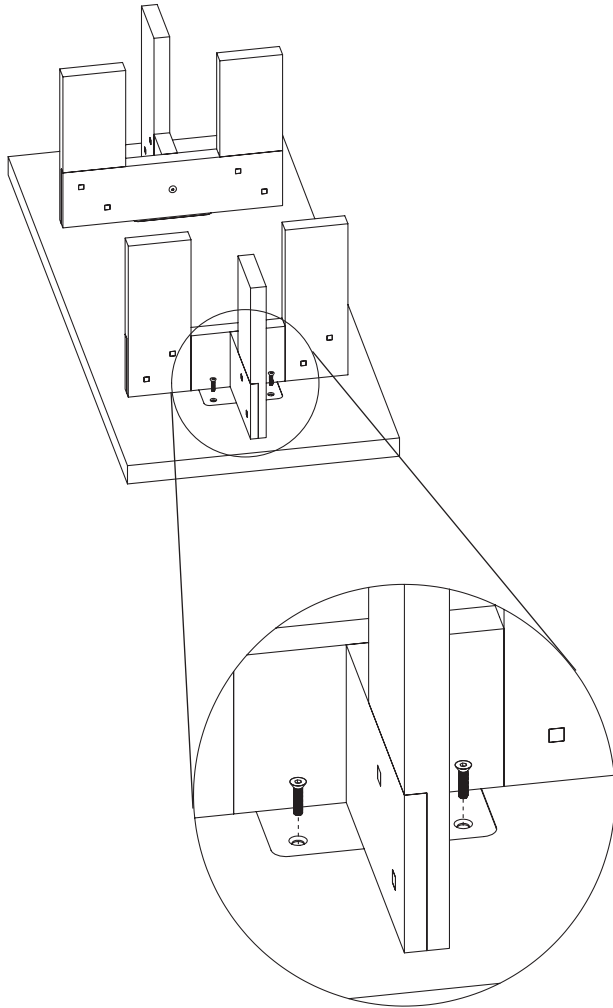
2.

Mount the metal plate **(B)** to the trestles.
Fasten it with screws **(E)** using the allen key **(H)**.



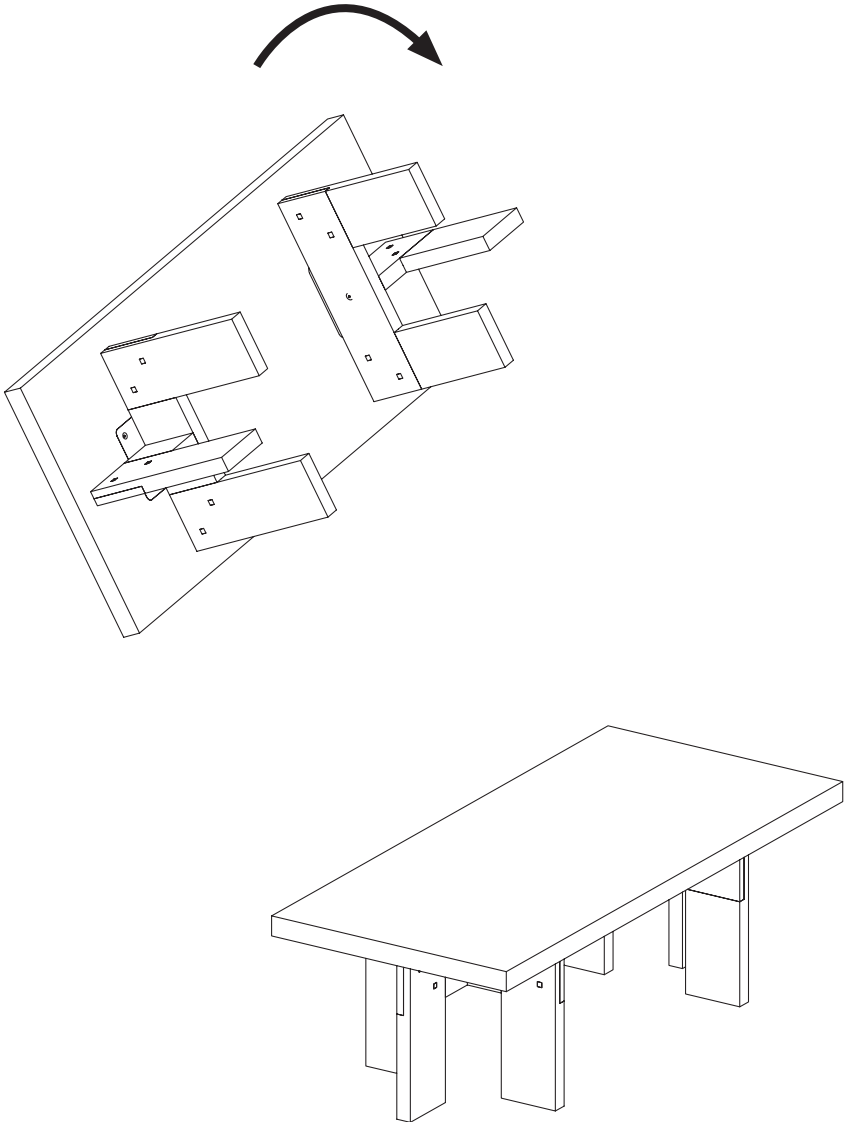
3.

Place the trestle upside down with attached metal plate (B) to the tabletop (A).
Then fasten it with screws (E) using the allen key (H).



4.

Flip the table around.



- MATERIAL & CARE GUIDE-

Our Material & Care guide offers guidance for optimal use of your FRAMA product. In order for your new furniture piece to last as long as possible, we guide you through the materials we use to produce our products, and how to care for them. Following these instructions is an assurance that the appearance and quality of your items will be maintained after repeated use and cleaning.

Please find our Material & Care info by scanning the QR code



You can also find the same information here
framacph.com/pages/material-care-guide

FRAMA
Fredericiagade 57, 1310
Copenhagen K
+45 3140 6030 framacph.com

FRAMA