

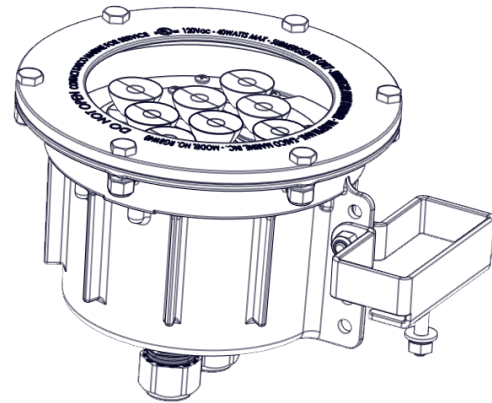


# WATERGLOW LIGHTING

## RGBW STAINLESS STEEL LIGHTING

### OVERVIEW

- RGBW color-changing LED light kit with DMX control panel
- Daisy-chained stainless steel LED fixtures
- Stainless steel mounting brackets and hardware
- Power cord quick disconnect
- Complete light kit is cULus listed for USA and Canada
- Saltwater compatible
- 2, 3, or 4 fixture kits standard, with standard cord lengths up to 500 feet
- 5-year warranty



### FIXTURES

- 120Vac, single-phase power
- Cast stainless steel housing with height-adjustable mounting tab
- Fully potted cord entry with threaded strain relief hubs
- Clear polymeric impact-resistant lens with 3-sided silicone rubber sealing gasket
- Machined stainless steel lens cap with stainless steel hardware
- DMX512 color-changing control
- 40-watt class II LED driver in each fixture
- 4-channel DMX-controlled LED control board
- Unique fixture addressing for color sequencing
- 8 Cree RGBW LED arrays and integrated optics

### MOUNTING BRACKETS

- Stainless steel mounting bracket
- Stainless steel hardware
- Easily adjust fixture angle and height
- Universal adapter brackets available for non-Kasco brand floating fountains

### CONTROL PANELS

- cULus Listed control panel with DMX RGBW lighting controller
- 120Vac, single-phase power
- Optional push-button controller with remote or touch panel controller with Wi-Fi and phone app
- 36 preprogrammed lighting scenes
- Class II DC power supply
- Surge protection
- Color-coded field wiring terminal blocks
- Power cord for connection to fountain control panel lighting circuit
- UL type 4X polycarbonate enclosure with integral mounting tabs

### POWER CABLE

- 6-wire UL, CSA, NEC underwater rated cable
- Color-coded wires to match control panel field wiring terminals
- Flex sleeving protection for each fixture and main power cord
- Quick disconnect standard on main power cord

**Kasco**<sup>®</sup>

# WATERGLOW LIGHTING

## RGBW STAINLESS STEEL LIGHTING

WiFi Controller	Push-button Controller	Cord Length	Cord AWG/ Wires	Fixtures	Kit Wattage (Max)	Suggested HP Sizes
RGBW2SW40-100	RGBW2SL40-100	100	16/6	2	96	2
RGBW2SW40-150	RGBW2SL40-150	150	16/6	2	96	2
RGBW2SW40-200	RGBW2SL40-200	200	16/6	2	96	2
RGBW2SW40-250	RGBW2SL40-250	250	16/6	2	96	2
RGBW2SW40-300	RGBW2SL40-300	300	16/6	2	96	2
RGBW2SW40-400	RGBW2SL40-400	400	16/6	2	96	2
RGBW2SW40-500	RGBW2SL40-500	500	16/6	2	96	2
RGBW3SW40-100	RGBW3SL40-100	100	16/6	3	144	2, 3, 5, 7.5
RGBW3SW40-150	RGBW3SL40-150	150	16/6	3	144	2, 3, 5, 7.5
RGBW3SW40-200	RGBW3SL40-200	200	16/6	3	144	2, 3, 5, 7.5
RGBW3SW40-250	RGBW3SL40-250	250	16/6	3	144	2, 3, 5, 7.5
RGBW3SW40-300	RGBW3SL40-300	300	16/6	3	144	2, 3, 5, 7.5
RGBW3SW40-400	RGBW3SL40-400	400	16/6	3	144	2, 3, 5, 7.5
RGBW3SW40-500	RGBW3SL40-500	500	16/6	3	144	2, 3, 5, 7.5
RGBW4SW40-100	RGBW4SL40-100	100	16/6	4	192	5, 7.5
RGBW4SW40-150	RGBW4SL40-150	150	16/6	4	192	5, 7.5
RGBW4SW40-200	RGBW4SL40-200	200	16/6	4	192	5, 7.5
RGBW4SW40-250	RGBW4SL40-250	250	16/6	4	192	5, 7.5
RGBW4SW40-300	RGBW4SL40-300	300	16/6	4	192	5, 7.5
RGBW4SW40-400	RGBW4SL40-400	400	14/6	4	192	5, 7.5
RGBW4SW40-500	RGBW4SL40-500	500	14/6	4	192	5, 7.5

All models:

- 120 volts / single phase / 60 Hz
- Maximum input watts per fixture: 48
- Average lumens per fixture: 2,376

