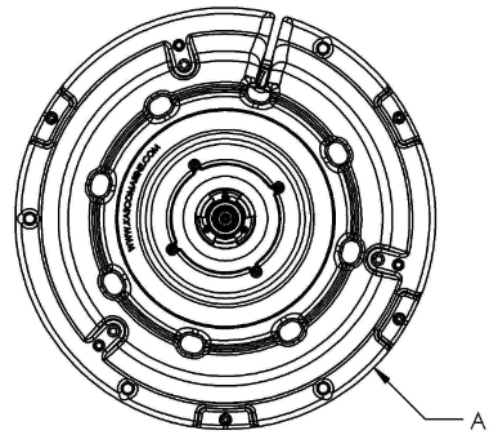
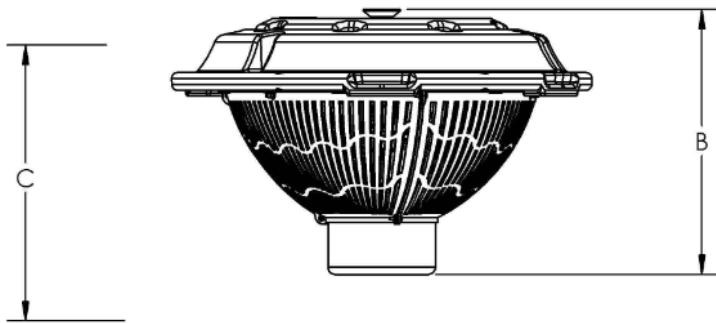


Quick Facts	
<p>Complete Package Includes:</p> <ul style="list-style-type: none"> • Motor Unit • Control Panel • Float with Screens & Mooring Lines • UL, CSA & NEC Approved Underwater Rated Cable • 4 Nozzles 	<ul style="list-style-type: none"> • Total Package Listed by ETL to UL/CSA Standards • Top Intake for Shallow Operation • Salt Water Compatible • Packaged for Convenient Shipping
<p style="text-align: center;">Motor Unit</p> <ul style="list-style-type: none"> • 1HP, Operating Voltage of 120Vac, Single Phase • 1750 RPM • Oil Cooled • Continuous Duty Rated • 17mm Top and Bottom Bearings • Thermal Overload Protection • Fully Unitized Heavy-Duty Carbon Ceramic Mechanical Seal • Series 300 Austenitic Stainless-Steel Can • Engineering Grade Thermoplastic Top • Sacrificial Zinc Anode 	<p style="text-align: center;">Float</p> <ul style="list-style-type: none"> • UV Resistant High-Density Thermoplastic • Single Piece Float • Protective Coated 300 Series Stainless Steel Hardware • Thermoplastic Protective Bottom Screen • Two 50' Braided Nylon Mooring Ropes
<p style="text-align: center;">Fountain Components</p> <ul style="list-style-type: none"> • Custom Thermoplastic Impeller • UV Resistant Thermoplastic Cone & Fountain Housing • 300 Series Stainless Steel Hardware • 4 Thermoplastic Nozzles (5 patterns) • Easy, No Tools Nozzle/Pattern Change • Thermoplastic Baseplate and Housing 	<p style="text-align: center;">Power Cable</p> <ul style="list-style-type: none"> • UL, CSA & NEC Approved Underwater Rated Cable • 3 Wire (L, N, G) • Quick Disconnect standard on 12 AWG & Larger Cords, & is optional on smaller gauge cords • Stainless Steel Strain Relief on 12 AWG & Larger Cords • 6' Flex Sleeving Protection • Optional Flex Sleeving for entire cord length available
<p style="text-align: center;">Control Panel</p> <ul style="list-style-type: none"> • UL Type 3r/4x Thermoplastic Enclosure • GFCI Protection with 5ma Trip Level • 24 Hour Mechanical Aerator Timer • Photo Eye for Optional Lighting • 120V Plug on 3' Power Cord 	<p style="text-align: center;">Optional Lighting</p> <ul style="list-style-type: none"> • See Lighting Specs

Model #	HP	Cord Length (Feet)	Cord Gauge*	Voltage/Phase/Hz	Running Amps	Lock Rotor Amps	Sugg. Pond Size (Surface Acre)**	Min Depth of Operation (Inches)	Number of Boxes
4400JF050	1	50	14/3	120V 1/60	10.7	40	Up to 1/2	19	2
4400JF100		100	12/3						3
4400JF150		150	10/3						3
4400JF200		200	10/3						3

* 12AW & larger cords include quick disconnect and stainless steel strain relief.

** Actual shape, depth, & oxygen demand should be considered when selecting a unit size.



A	Float Width w/ Brackets	28 Inches
B	Unit Height	18 Inches
C	Min Operating Depth	19 Inches