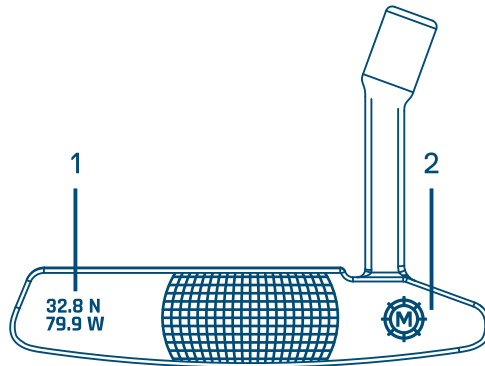
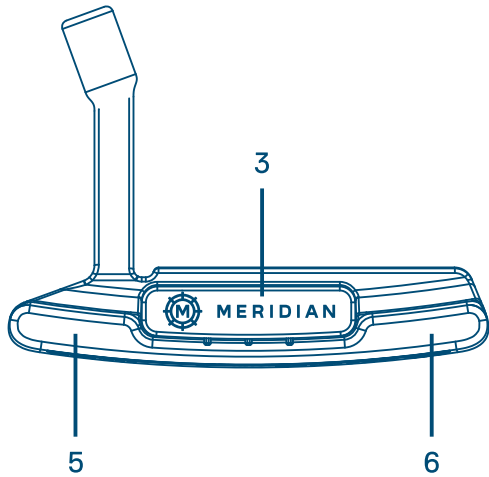
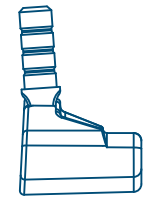


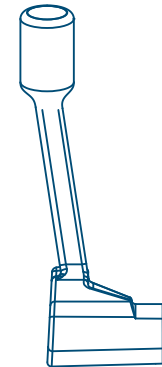
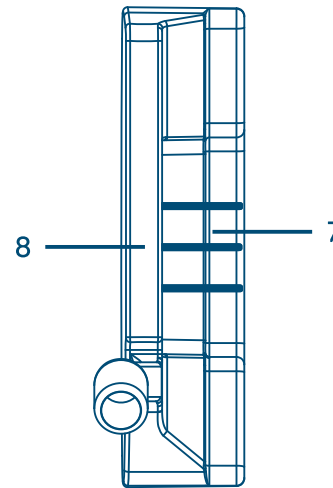
ITEM	REGION	STANDARD OFFERING (SEE BELOW)	X	TO CUSTOMIZE PROVIDE INSTRUCTION BELOW	NOTES
1	FACE / TOE STAMP	CHARLESTON COORD.	<input type="checkbox"/>		0.6" X 0.9" MAX
2	FACE / HEEL STAMP	M-WHEEL LOGO	<input type="checkbox"/>		0.4" X 0.8" MAX
3	CAVITY GRAPHICS	FULL MERIDIAN LOGO	<input type="checkbox"/>		0.38" X 1.75" MAX
4	SOLE GRAPHICS	LOGO / USA MADE / INFO	<input type="checkbox"/>		1" X 4" MAX
5	BUMPER / HEEL	BLANK	<input type="checkbox"/>		5 TO 6 CHAR.
6	BUMPER / TOE	BLANK	<input type="checkbox"/>		5 TO 6 CHAR.
7	FLANGE	THREE LINE	<input type="checkbox"/>		1 LINE OR 3 LINE
8	TOP LINE	BLANK	<input type="checkbox"/>		DOT OR DASH



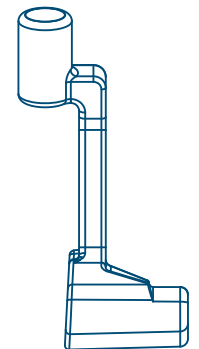
LOFT 3°
LIE 70°



PIN MOUNT
(SINGLE BEND
SHAFT)



SLANT
NECK



PLUMBERS
NECK



CHOOSE

- RIGHT HAND
- LEFT HAND

- 330 GRAMS
- 370 GRAMS

- SLANT NECK
- PLUMBERS NECK
- PIN MOUNT (FACE BAL.)

- MERIDIAN CUT FACE
- FLY CUT FACE
- SMOOTH FACE

- BRIGHT STAINLESS
- BLACK PVD
- OIL CAN



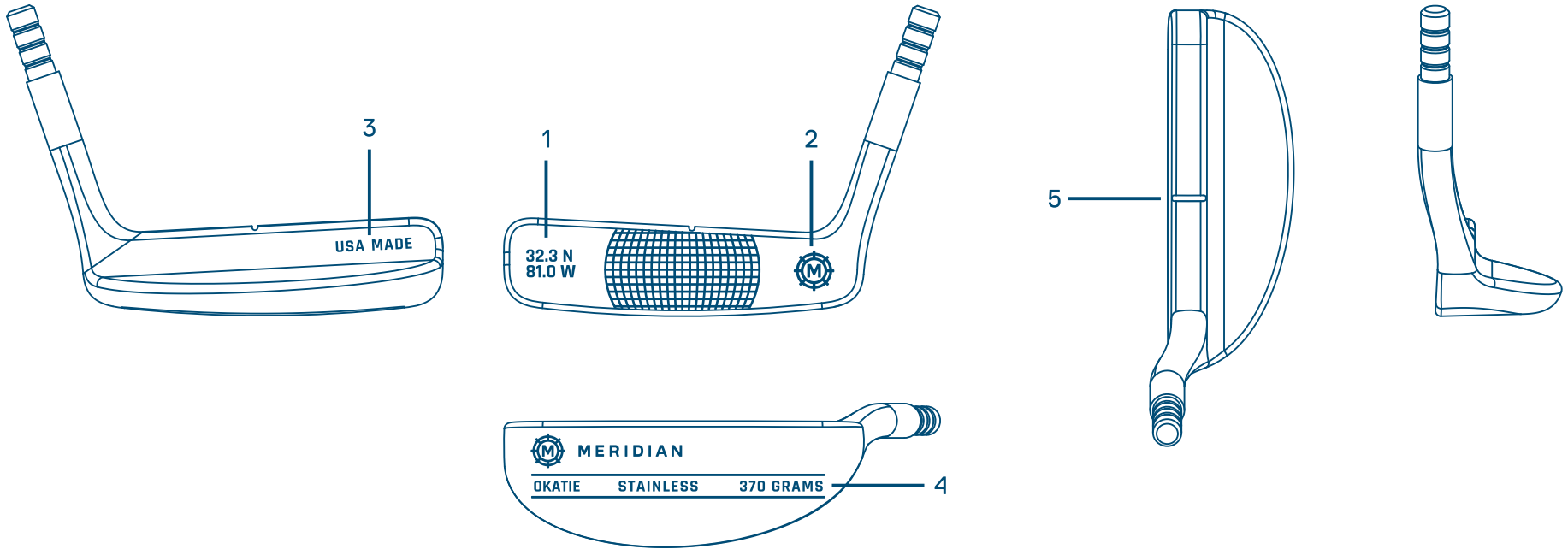
MODEL
CHARLESTON

NAME

EMAIL

ITEM	REGION	STANDARD OFFERING (SEE BELOW)	X	TO CUSTOMIZE PROVIDE INSTRUCTION BELOW	NOTES
1	FACE / TOE STAMP	OKATIE COORD.	<input type="checkbox"/>		0.6" X 0.9" MAX
2	FACE / HEEL STAMP	M-WHEEL LOGO	<input type="checkbox"/>		0.5" X 0.5" MAX
3	BACK OF FACE	USA MADE	<input type="checkbox"/>		8 TO 10 CHAR.
4	SOLE GRAPHICS	LOGO / INFO	<input type="checkbox"/>		0.8" X 2.8" MAX
5	TOP LINE	1 LINE	<input type="checkbox"/>		DOT OR DASH

LOFT **3°**
LIE **71°**



CHOOSE

- | | | | |
|-------------------------------------|------------------------------------|--|---|
| <input type="checkbox"/> RIGHT HAND | <input type="checkbox"/> 330 GRAMS | <input type="checkbox"/> MERIDIAN CUT FACE | <input type="checkbox"/> BRIGHT STAINLESS |
| <input type="checkbox"/> LEFT HAND | <input type="checkbox"/> 370 GRAMS | <input type="checkbox"/> FLY CUT FACE | <input type="checkbox"/> BLACK PVD |
| | | <input type="checkbox"/> SMOOTH FACE | <input type="checkbox"/> OIL CAN |

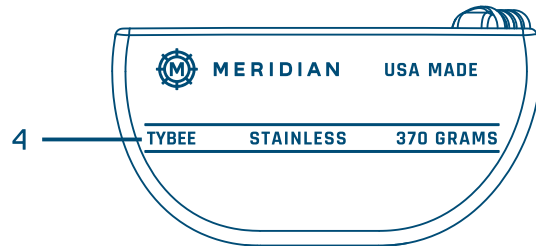
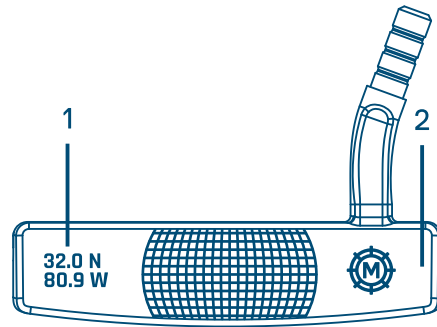
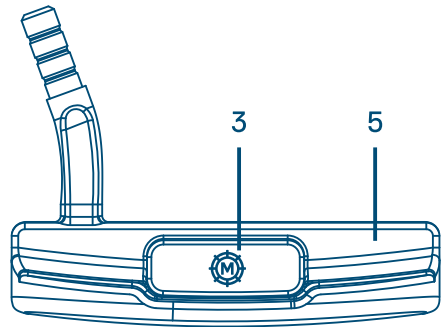


MODEL
OKATIE

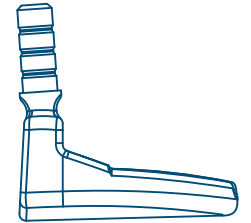
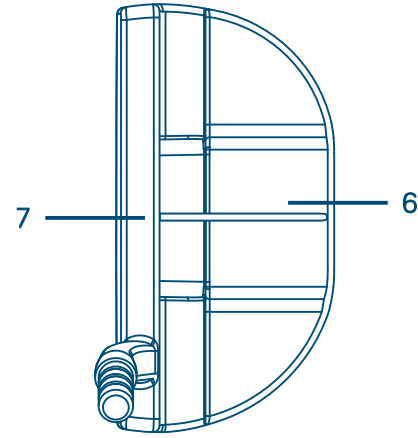
NAME

EMAIL

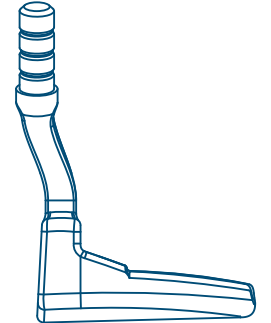
ITEM	REGION	STANDARD OFFERING (SEE BELOW)	X	TO CUSTOMIZE PROVIDE INSTRUCTION BELOW	NOTES
1	FACE / TOE STAMP	TYBEE COORD.	<input type="checkbox"/>		0.6" X 0.9" MAX
2	FACE / HEEL STAMP	M-WHEEL LOGO	<input type="checkbox"/>		0.6" X 0.9" MAX
3	CAVITY GRAPHICS	M-WHEEL LOGO	<input type="checkbox"/>		0.38" X 1.2" MAX
4	SOLE GRAPHICS	LOGO / USA MADE / INFO	<input type="checkbox"/>		1.1" X 3.2" MAX
5	BACK OF FACE	BLANK	<input type="checkbox"/>		6 TO 8 CHAR.
6	FLANGE	1 LINE	<input type="checkbox"/>		1 LINE OR 3 LINE
7	TOP LINE	BLANK	<input type="checkbox"/>		DOT OR DASH



LOFT 3°
LIE 70°



**PIN MOUNT
(SINGLE BEND
SHAFT)**



**SWEEP
NECK**

CHOOSE

- RIGHT HAND
- LEFT HAND

- 330 GRAMS
- 370 GRAMS

- SWEEP NECK
- PIN MOUNT (FACE BAL.)

- MERIDIAN CUT FACE
- FLY CUT FACE
- SMOOTH FACE

- BRIGHT STAINLESS
- BLACK PVD
- OIL CAN

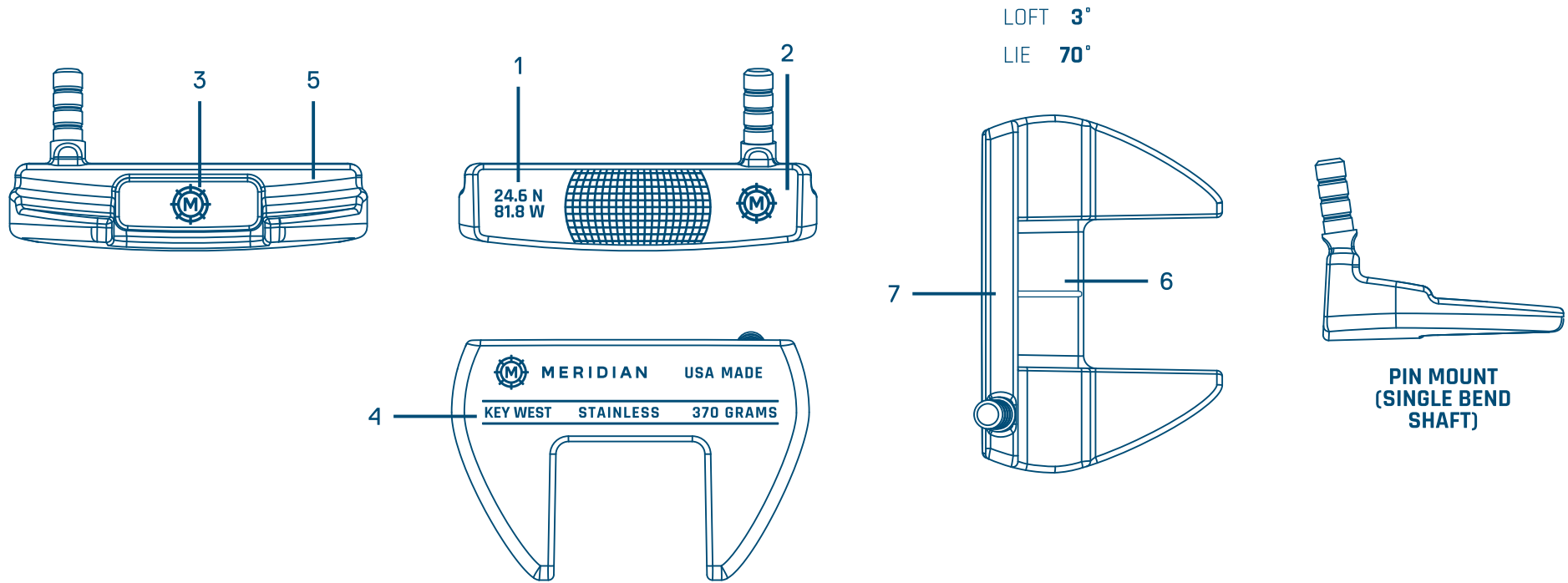


MODEL
TYBEE

NAME

EMAIL

ITEM	REGION	STANDARD OFFERING (SEE BELOW)	X	TO CUSTOMIZE PROVIDE INSTRUCTION BELOW	NOTES
1	FACE / TOE STAMP	TYBEE COORD.	<input type="checkbox"/>		0.6" X 0.9" MAX
2	FACE / HEEL STAMP	M-WHEEL LOGO	<input type="checkbox"/>		0.6" X 0.9" MAX
3	CAVITY GRAPHICS	M-WHEEL LOGO	<input type="checkbox"/>		0.38" X 1.2" MAX
4	SOLE GRAPHICS	LOGO / USA MADE / INFO	<input type="checkbox"/>		1.1" X 3.2" MAX
5	BACK OF FACE	BLANK	<input type="checkbox"/>		6 TO 8 CHAR.
6	FLANGE	1 LINE	<input type="checkbox"/>		1 LINE OR 3 LINE
7	TOP LINE	BLANK	<input type="checkbox"/>		DOT OR DASH



CHOOSE

RIGHT HAND ONLY

330 GRAMS
 370 GRAMS

PIN MOUNT (FACE BAL.)
 PIN MOUNT (TOE HANG)

MERIDIAN CUT FACE
 FLY CUT FACE
 SMOOTH FACE

BRIGHT STAINLESS
 BLACK PVD
 OIL CAN



MODEL
KEY WEST

NAME

EMAIL