



RESERVEDELSBOK

JH 1213 A

HYDRAULISK JERNHEST

Anton's Timber as

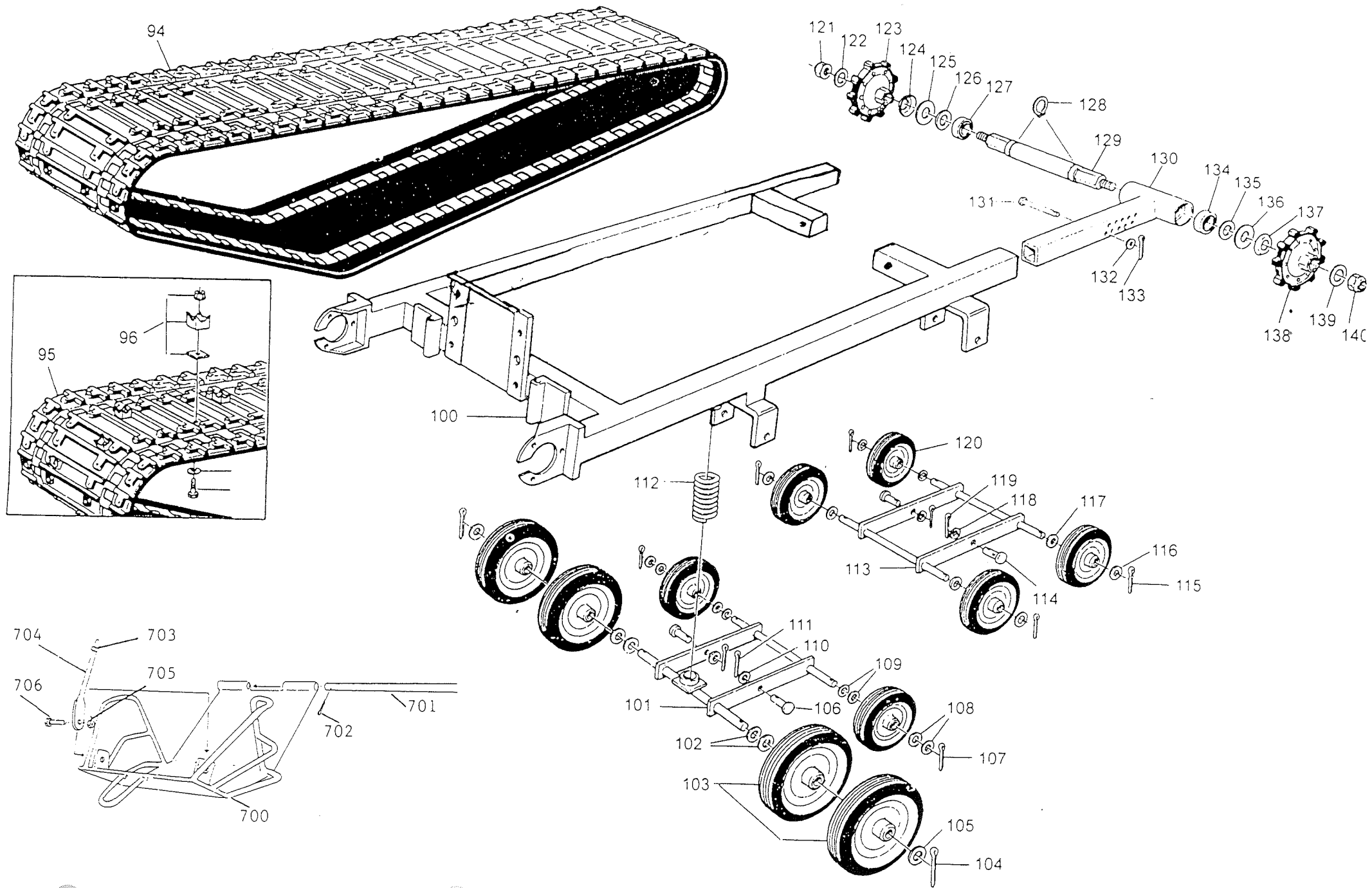
www.anton.no

3159 Melsomvik

Tlf 908 86 491 - 33 36 52 54

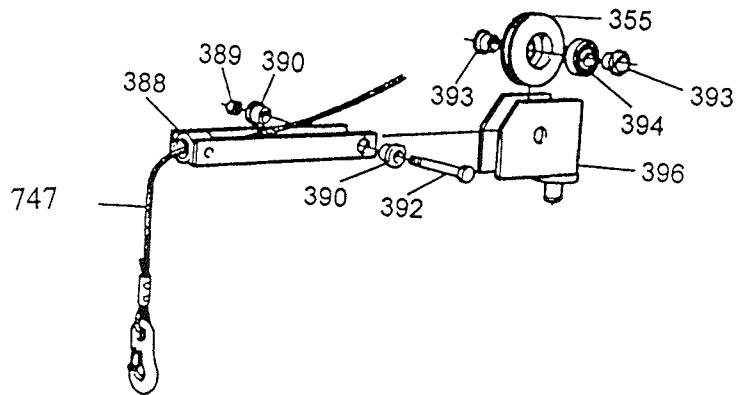
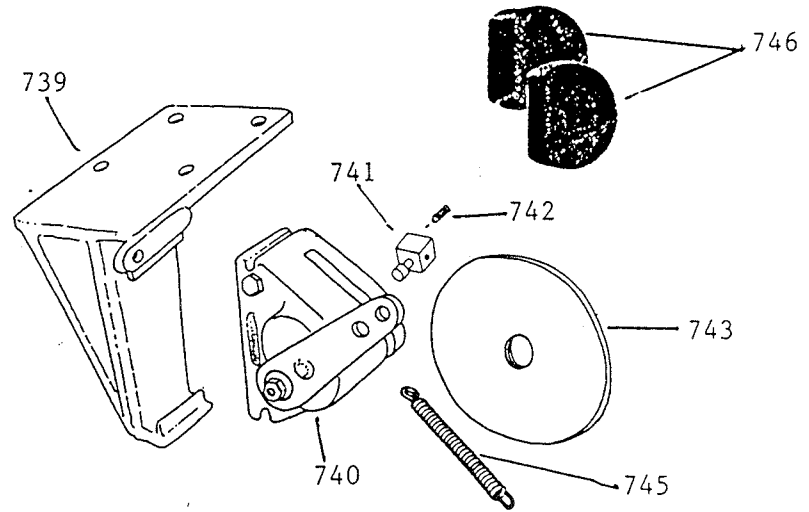
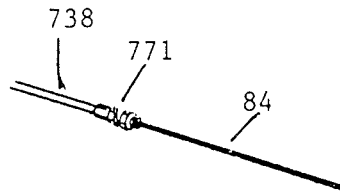
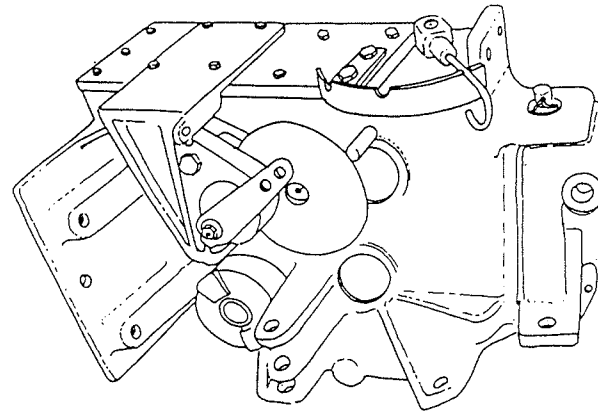
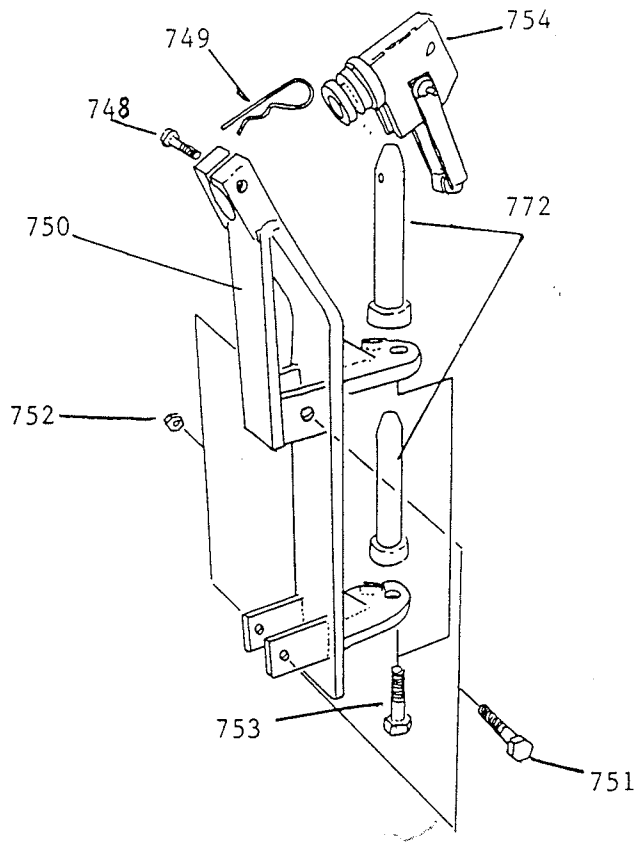
e-post: anton@anton.no

A



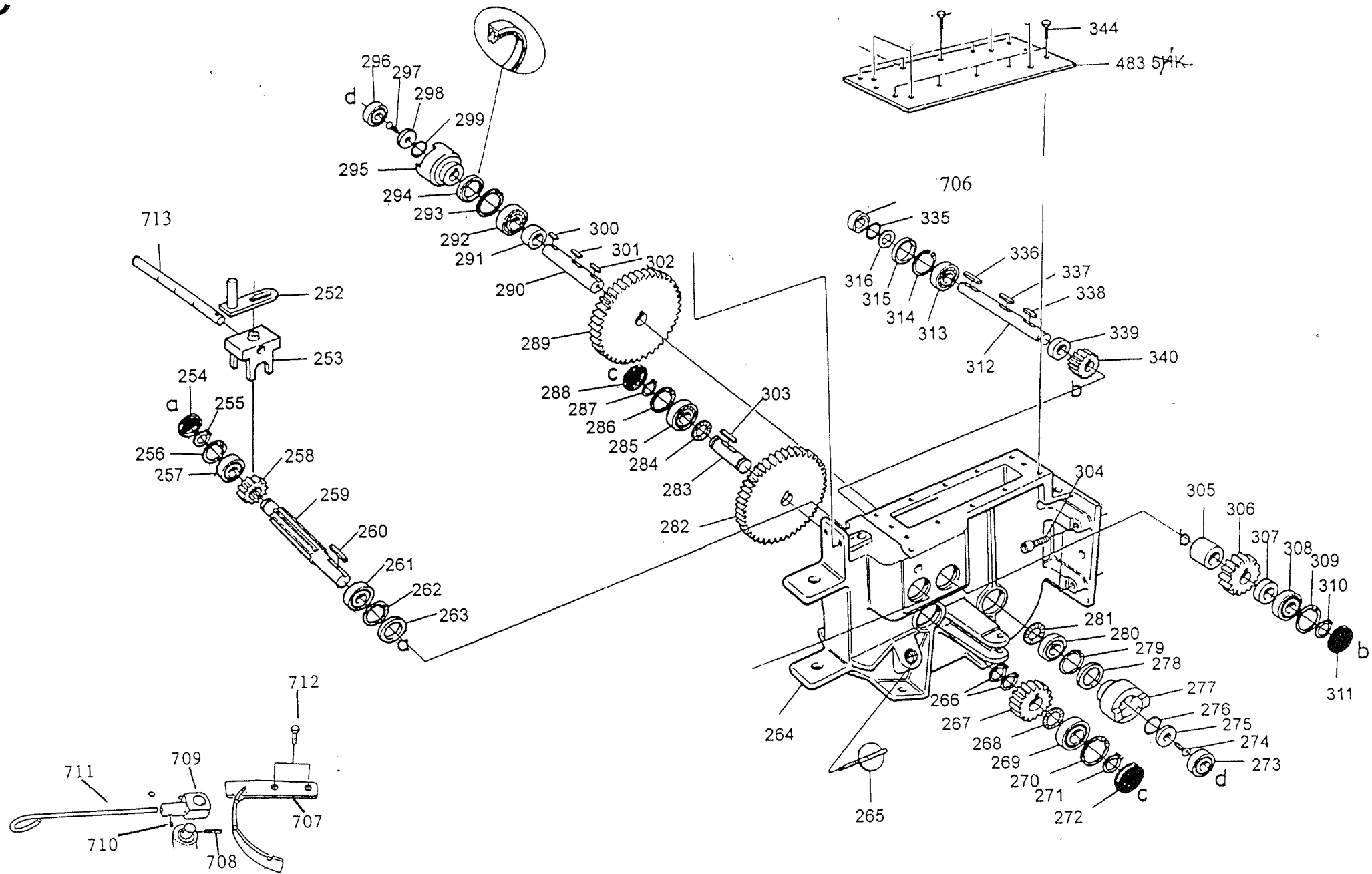
| KEY NO. | PART NO. | KEY NO. | PART NO. | KEY NO. | PART NO. |
|---------|--------------|---------|--------------------|---------|--------------|
| 94 | 531 00 00-01 | 110 | 734 11 85-71 | 126 | 531 00 14-88 |
| 95 | 531 00 09-25 | 111 | 721 61 97-01 | 127 | 738 21 06-04 |
| 96 | 501 40 14-01 | 112 | 531 00 00-04 | 128 | 531 00 01-94 |
| 100 | 531 00 00-03 | 113 | 531 00 00-08 | 129 | 531 00 14-90 |
| 101 | 531 01 20-79 | 114 | 531 00 00-09 | 130 | 531 00 14-93 |
| 102 | 531 00 00-17 | 115 | 531 00 00-19 | 131 | 531 00 00-14 |
| 103 | 531 00 14-84 | 116 | 531 00 00-16 | 132 | 734 11 71-71 |
| 104 | 531 00 00-20 | 117 | 531 00 00-16 | 133 | 531 00 01-95 |
| 105 | 531 00 00-17 | 118 | 734 11 85-71 | 134 | 738 21 06-04 |
| 106 | 531 00 00-09 | 119 | 721 61 97-01 | 135 | 531 00 14-88 |
| 107 | 531 00 00-19 | 120 | 531 00 14-83 | 136 | 531 00 14-86 |
| 108 | 531 00 00-16 | 121 | 531 00 03-44 | 137 | 531 00 14-87 |
| 109 | 531 00 00-16 | 122 | 531 00 00-22 | 138 | 531 00 00-13 |
| | | 123 | 531 00 14-87 | 139 | 531 00 00-22 |
| | | 124 | 531 00 14-87 | 140 | 531 00 03-44 |
| | | 125 | 531 00 14-86 | | |
| 700 | 508 02 09-00 | | Bukpanne JH 1213 | | |
| 701 | 508 02 09-01 | | Bolt til bukpanne | | |
| 702 | 508 0209-02 | | Sakspinne M4 x 40 | | |
| 703 | 508 0209-03 | | Mutter M10 | | |
| 704 | 508 0209-04 | | Stag til bunnpanne | | |
| 705 | 508 0209-05 | | Mutter M10 Nylock | | |

B



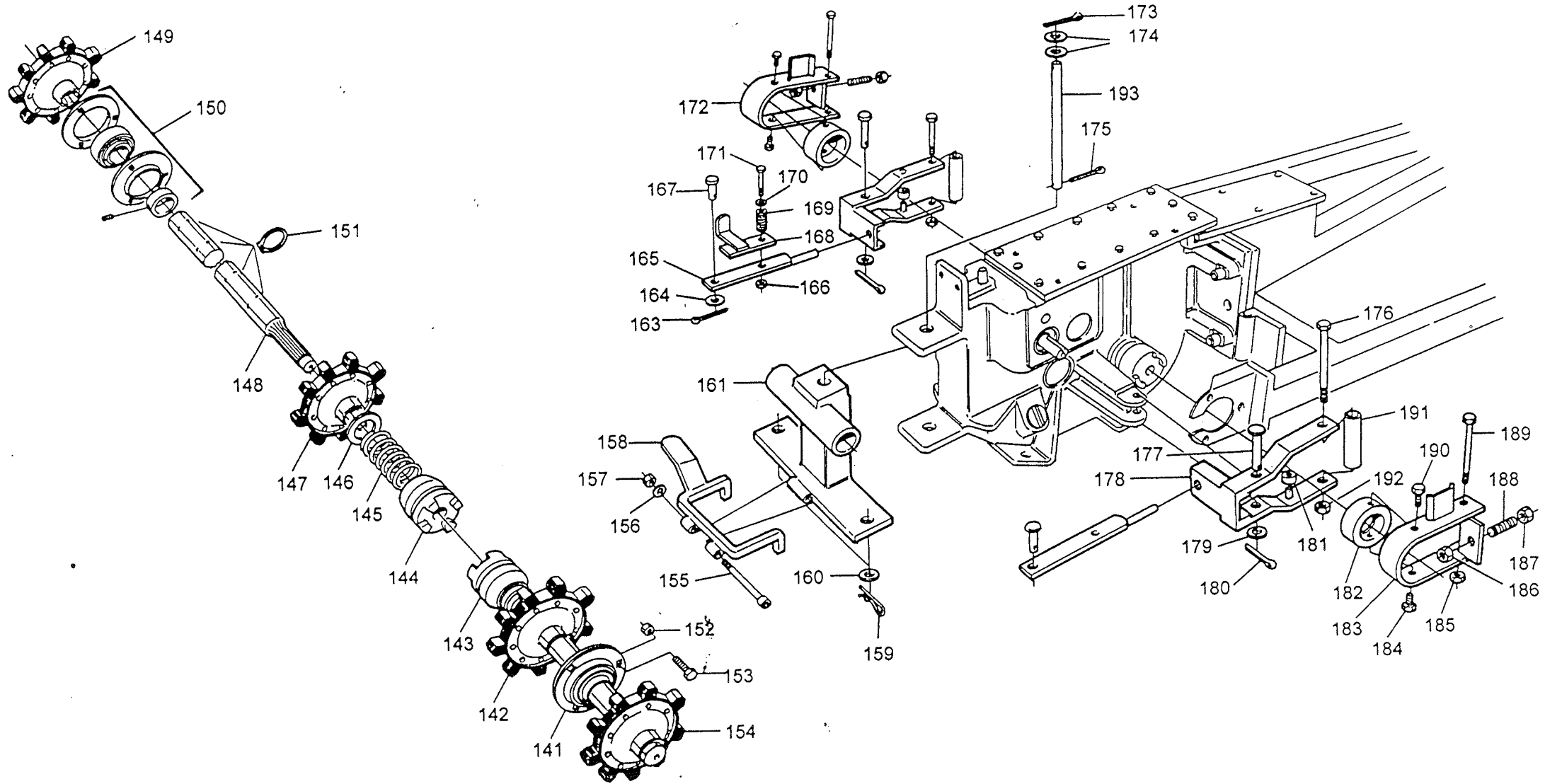
| KEY. NO. | PART NO. | KEY NO. | PART NO. | KEY NO. | PART NO. |
|-------------|---------------|------------|--|------------|-------------|
| 355 | 531 00 10-85 | | | | |
| 388 | 531 00 10-84 | | | | |
| 389 | 732 21 18-901 | | | | |
| 390 | 531 00 10-86 | | | | |
| 392 | 531 00 10-16 | | | | |
| 393 | 531 00 10-87 | | | | |
| 394 | 531 00 10-46 | | | | |
| 396 | 531 00 10-83 | | | | |
| 738 | 508 02 09-38 | | Strømpe brems 106 cm | | |
| 739 | 508 02 09-39 | | Festebrakett brems | | |
| 740 | 508 02 09-40 | | Caliper brems | | |
| 741 | 508 02 09-41 | | Vaiernippel brems | | |
| 742 | 508 02 09-42 | | Settskruer | | |
| 743 | 508 02 09-43 | | Bremsekive | | |
| 744 | 508 02 09-44 | | Settskrue | | |
| 745 | 508 02 09-45 | | Returfjær brems | | |
| 746 | 508 02 09-46 | | Bremseklosser par | | |
| 747 | 508 02 09-47 | | Ståltau 25 m x 8 mm IWRC (30 m x 7 mm) | | |
| 748 | 508 02 09-48 | | Bolt M10X 70 m/hull | | |
| 749 | 508 02 09-49 | | Låsenål 4 mm | | |
| 750 | 508 02 09-50 | | Festebrakett vinsblokk/linjevinsj | | |
| 751 | 508 02 09-51 | | Bolt M 10 x 70 | | |
| 752 | 508 02 09-05 | | Mutter M 10 Nylock | | |
| 753 | 508 02 09-53 | | Bolt M 16 x 30 | | |
| 754 | 508 02 09-54 | | Vinsblokk Kpl. | | |
| 771 | 508 02 09-20 | | Mutter bremsevaier M | | |
| 772 | 501 39 96-06 | | Bolter for linjevinsj | | |
| 84 | 531 01 20-16 | | Bremsevaier | | |

C



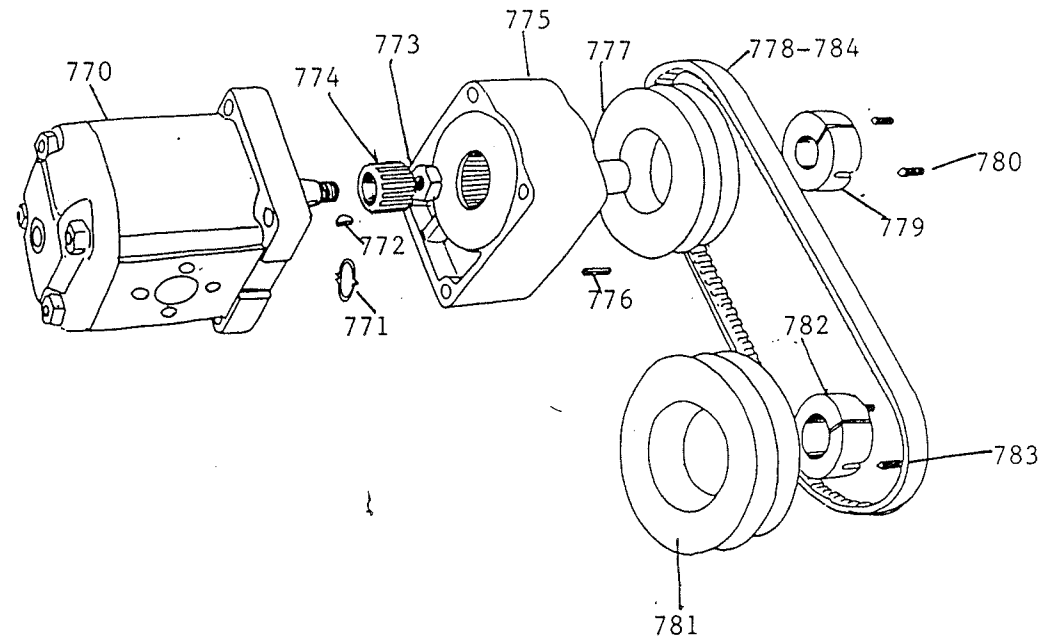
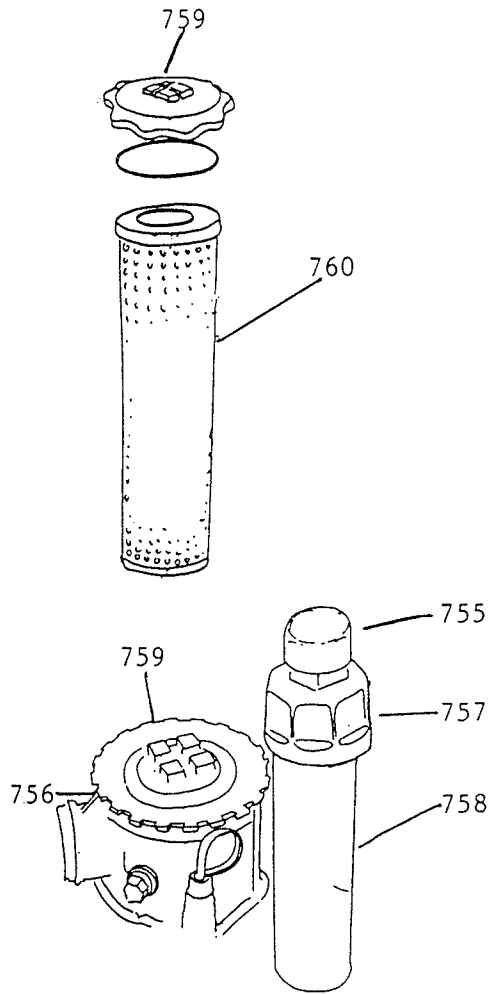
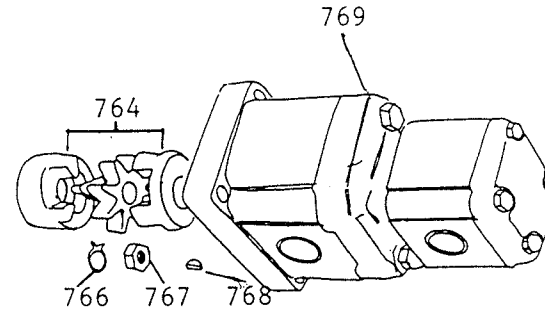
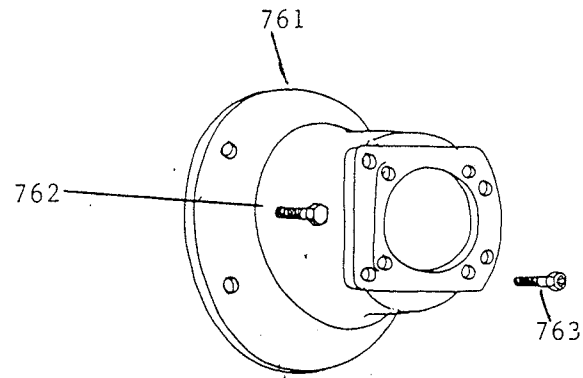
| KEY NO. | PART NO. | KEY NO. | PART NO. | KEY NO. | PART NO. |
|---------|--------------|---------|--------------|---------|----------------------------------|
| 251 | 531 00 00-77 | 281 | 531 00 01-30 | 311 | 531 00 09-74 |
| 252 | 531 00 00-76 | 282 | 531 00 00-85 | 312 | 531 00 01-17 |
| 253 | 531 00 00-80 | 283 | 531 00 00-86 | 313 | 738 22 03-19 |
| 254 | 531 00 09-74 | 284 | 531 00 01-29 | 314 | 735 31 37-10 |
| 255 | 735 31 19-00 | 285 | 738 21 04-04 | 315 | 531 00 01-43 |
| 256 | 735 31 37-10 | 286 | 531 00 01-31 | 316 | Segering 17 mm SGA |
| 257 | 738 22 03-19 | 287 | 735 31 22-00 | 335 | 740 43 15-00 |
| 258 | 531 00 00-90 | 288 | 531 00 09-73 | 336 | 531 00 01-16 |
| 259 | 531 00 00-89 | 289 | 531 00 00-91 | 337 | 531 00 01-16 |
| 260 | 531 00 00-88 | 290 | 531 00 00-93 | 338 | 531 00 01-16 |
| 261 | 738 22 03-19 | 291 | 531 00 00-94 | 339 | 531 00 01-07 |
| 262 | 735 31 37-10 | 292 | 738 21 05-04 | 340 | 531 00 01-15 |
| 263 | 508 02 09-06 | 293 | 735 31 40-10 | 342 | 725 23 68-71 |
| 264 | 531 00 01-08 | 294 | 531 00 01-42 | 344 | 725 23 68-71 |
| 265 | 531 00 00-97 | 295 | 531 00 01-03 | 483 | 531 00 01-19 |
| 266 | 735 31 22-00 | 296 | 738 21 04-04 | 706 | 5080209-06 Akseltetning/distanse |
| 267 | 531 00 01-01 | 297 | 725 64 93-51 | 707 | 5080209-07 Girspakbøyle |
| 268 | 531 00 01-29 | 298 | 531 00 01-36 | 708 | 5080209-08 Rørstift 5 x 30 mm |
| 269 | 738 21 04-04 | 299 | 740 42 22-00 | 709 | 5080209-09 Adapter girspak |
| 270 | 531 00 01-31 | 300 | 531 00 00-92 | 710 | 5080209-10 Settskrue M5 x 8 |
| 271 | 735 31 22-00 | 301 | 531 01 20-82 | 711 | 5080209-11 Girspak |
| 272 | 531 00 09-73 | 302 | 531 00 00-92 | 712 | 5080209-12 Bolt til girspakbøyle |
| 273 | 738 21 04-04 | 303 | 531 00 00-87 | 713 | 5080209-13 Skiftegaffelaksel |
| 274 | 725 64 93-51 | 304 | 531 00 01-24 | | |
| 275 | 531 00 01-36 | 305 | 531 00 01-05 | | |
| 276 | 740 42 22-00 | 306 | 531 00 01-06 | | |
| 277 | 531 00 01-03 | 307 | 531 00 01-07 | | |
| 278 | 531 00 01-42 | 308 | 738 22 03-19 | | |
| 279 | 735 31 40-10 | 309 | 735 31 37-10 | | |
| 280 | 738 21 05-04 | 310 | 735 31 19-00 | | |

D



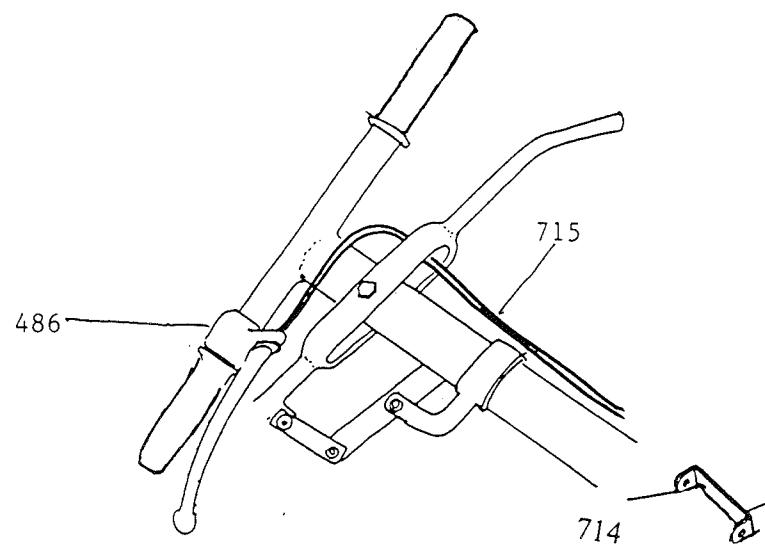
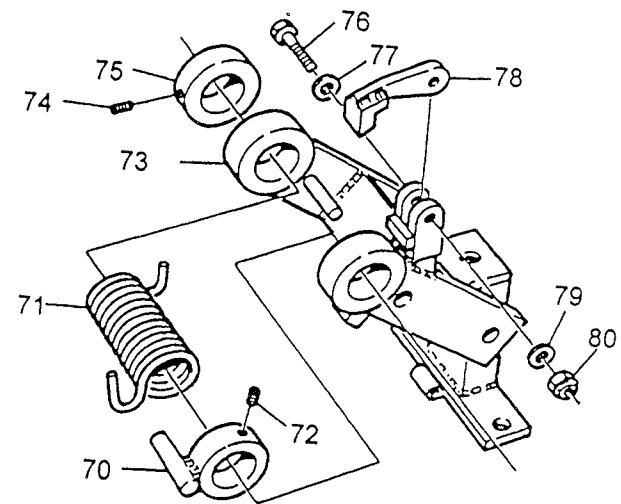
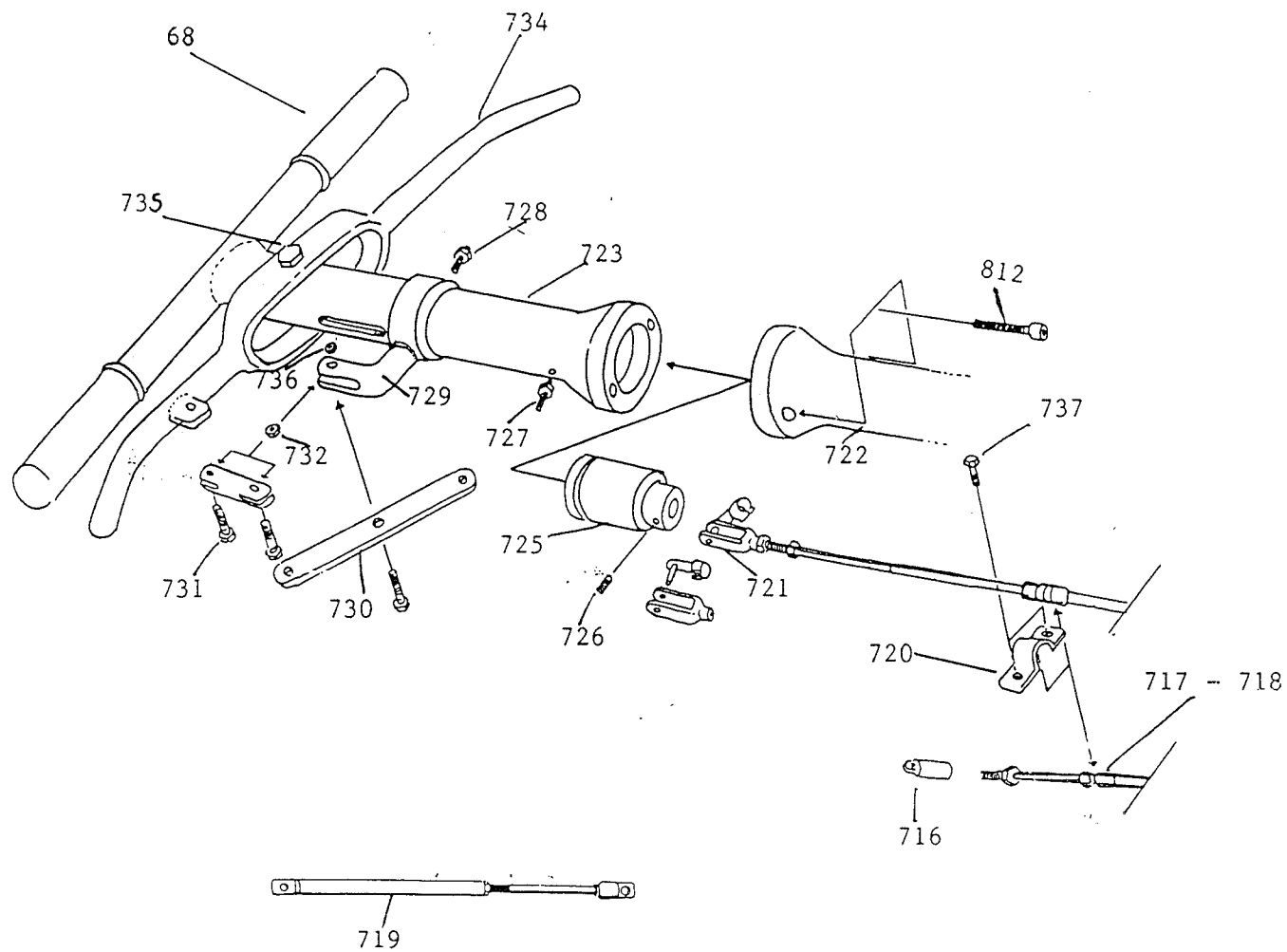
| KEY NO. | PART NO. | KEY NO. | PART NO. | KEY NO. | PART NO. |
|------------|--------------|------------|--------------|------------|--------------|
| 141 | 531 00 01-75 | 159 | 531 00 01-95 | 177 | 531 00 00-14 |
| 142 | 531 00 00-13 | 160 | 734 11 71-71 | 178 | 531 00 01-89 |
| 143 | 531 00 01-81 | 161 | 531 00 01-79 | 179 | 734 11 71-71 |
| 144 | 531 00 01-03 | 163 | 531 00 01-95 | 180 | 721 61 81-01 |
| 145 | 531 00 01-77 | 164 | 734 11 71-71 | 181 | 531 00 01-93 |
| 146 | 531 00 01-91 | 165 | 531 00 01-86 | 182 | 531 00 01-90 |
| 147 | 531 00 00-13 | 166 | 732 25 16-01 | 184 | 725 24 91-71 |
| 148 | 531 00 01-76 | 167 | 721 84 56-01 | 185 | 732 25 20-01 |
| 149 | 531 00 00-13 | 168 | 531 00 01-85 | 186 | 731 23 22-01 |
| 150 | 531 00 01-75 | 169 | 531 00 01-10 | 187 | 731 23 22-01 |
| 151 | 531 00 01-94 | 170 | 734 11 51-71 | 188 | 531 00 01-92 |
| 152 | 732 25 20-01 | 171 | 725 53 79-01 | 189 | 725 25 15-51 |
| 153 | 725 24 93-71 | 172 | 531 00 11-08 | 190 | 725 24 91-71 |
| 154 | 531 00 00-13 | 173 | 721 62 14-01 | 191 | 531 00 01-88 |
| 155 | 725 53 84-01 | 174 | 734 11 77-71 | 192 | 732 21 18-01 |
| 156 | 734 11 51-71 | 175 | 721 62 14-01 | 193 | 531 00 01-87 |
| 157 | 732 25 16-01 | 176 | 725 24 71-51 | | |
| 158 | 531 00 01-80 | | | | |

E



| KEY NO. | PART NO. | KEY NO. | PART NO. | KEY NO. | PART NO. |
|------------|--------------|------------|-----------------------|------------|-------------|
| 755 | 531 00 18-54 | | Lufteventil kpl. | | |
| 756 | 508 02 09-55 | | Filterhus kpl. | | |
| 757 | 508 02 09-56 | | Påfyllingslokk | | |
| 758 | 508 02 09-57 | | Påfyllingsrør | | |
| 759 | 508 02 09-58 | | Filterlokk m/pakning | | |
| 760 | 508 02 09-59 | | Filterinnsats | | |
| 761 | 508 02 09-60 | | Pumpebrakett | | |
| 762 | 508 02 09-61 | | Bolter UNC | | |
| 763 | 508 0209-62 | | Umbracobolter | | |
| 764 | 508 02 09-63 | | Pumpekopling kpl. | | |
| 765 | 508 02 09-64 | | Gummidemper | | |
| 766 | 508 02 09-65 | | Låseskive | | |
| 767 | 508 02 09-66 | | Multer | | |
| 768 | 508 02 09-67 | | Kile | | |
| 769 | 508 02 09-68 | | Hydraulikkpumper kpl. | | |
| 770 | 508 02 09-69 | | Hydraulikkmotor | | |
| 771 | 508 02 09-65 | | Låseskive | | |
| 772 | 508 02 09-67 | | Kile | | |
| 773 | 508 02 09-66 | | Multer | | |
| 774 | 508 02 09-70 | | Drivhylse | | |
| 775 | 508 02 09-71 | | Lagerhus kpl. | | |
| 776 | 508 02 09-72 | | Kile | | |
| 777 | 508 02 09-73 | | Kileremhjul 125-2 | | |
| 778 | 408 02 09-74 | | Kilereim XPA 782 | | |
| 779 | 508 02 09-75 | | Boss 1210-22 | | |
| 780 | 508 02 09-76 | | Umbracoskrue | | |
| 781 | 508 02 09-77 | | Kilereimhjul 106-2 | | |
| 782 | 508 02 09-78 | | Boss 1210-17 | | |
| 783 | 508 02 09-76 | | Umbracoskrue | | |
| 784 | 508 02 09-79 | | Kilereim XPA 757 | | |

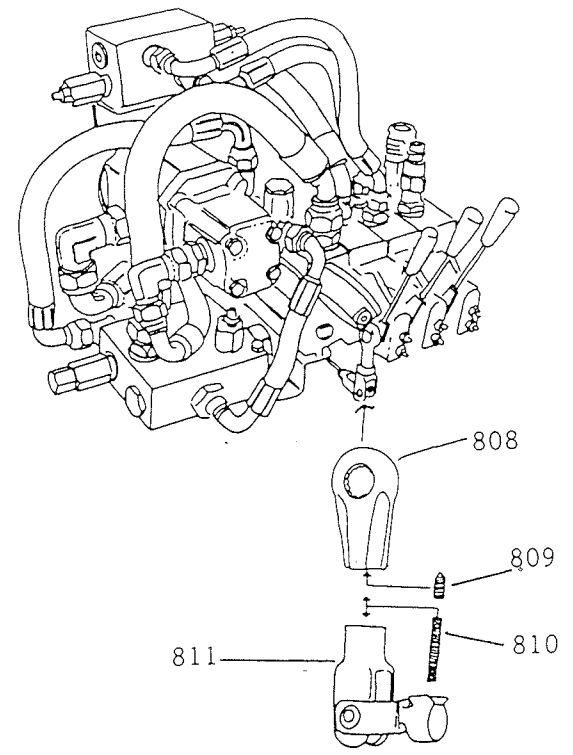
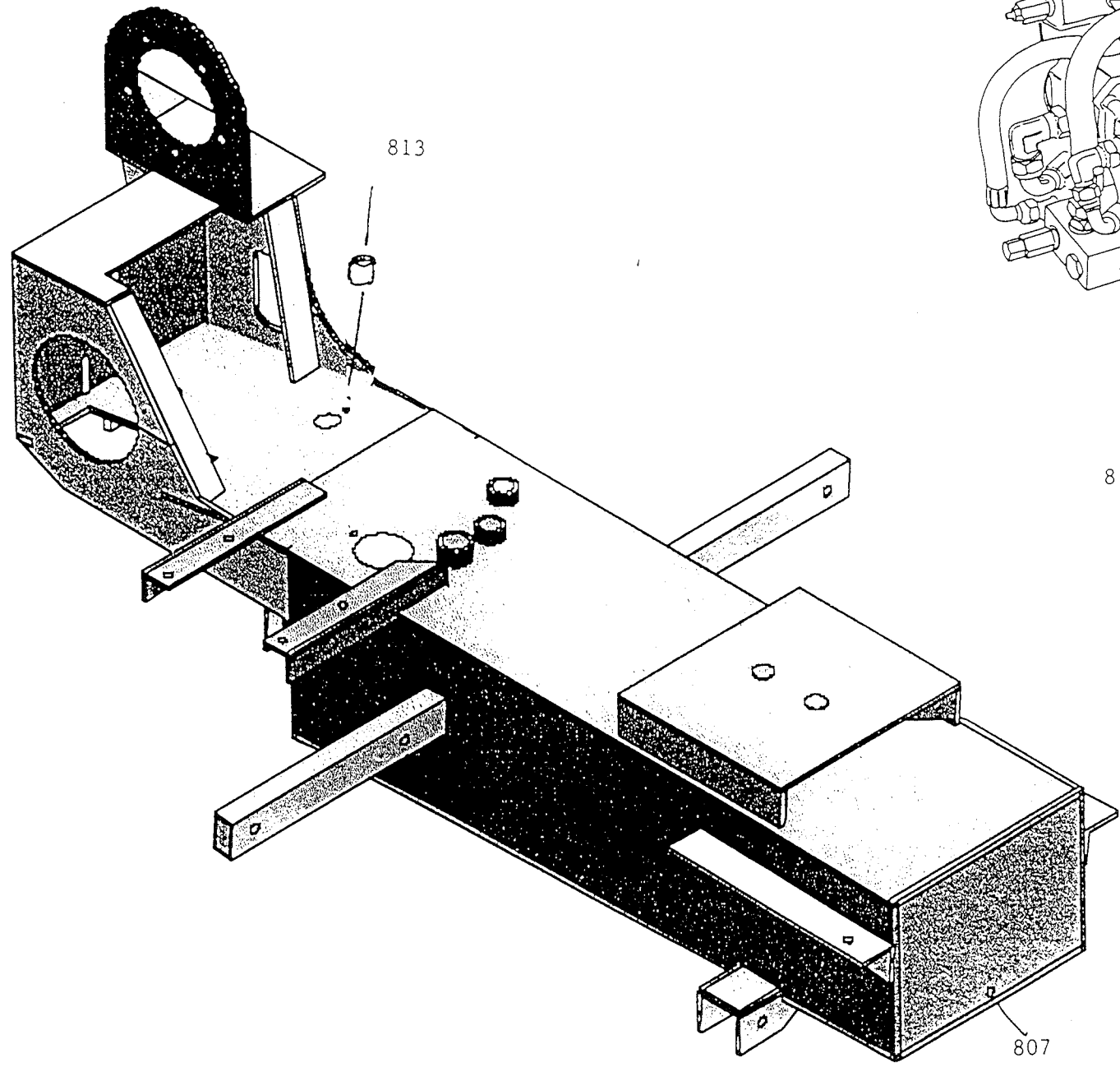
F



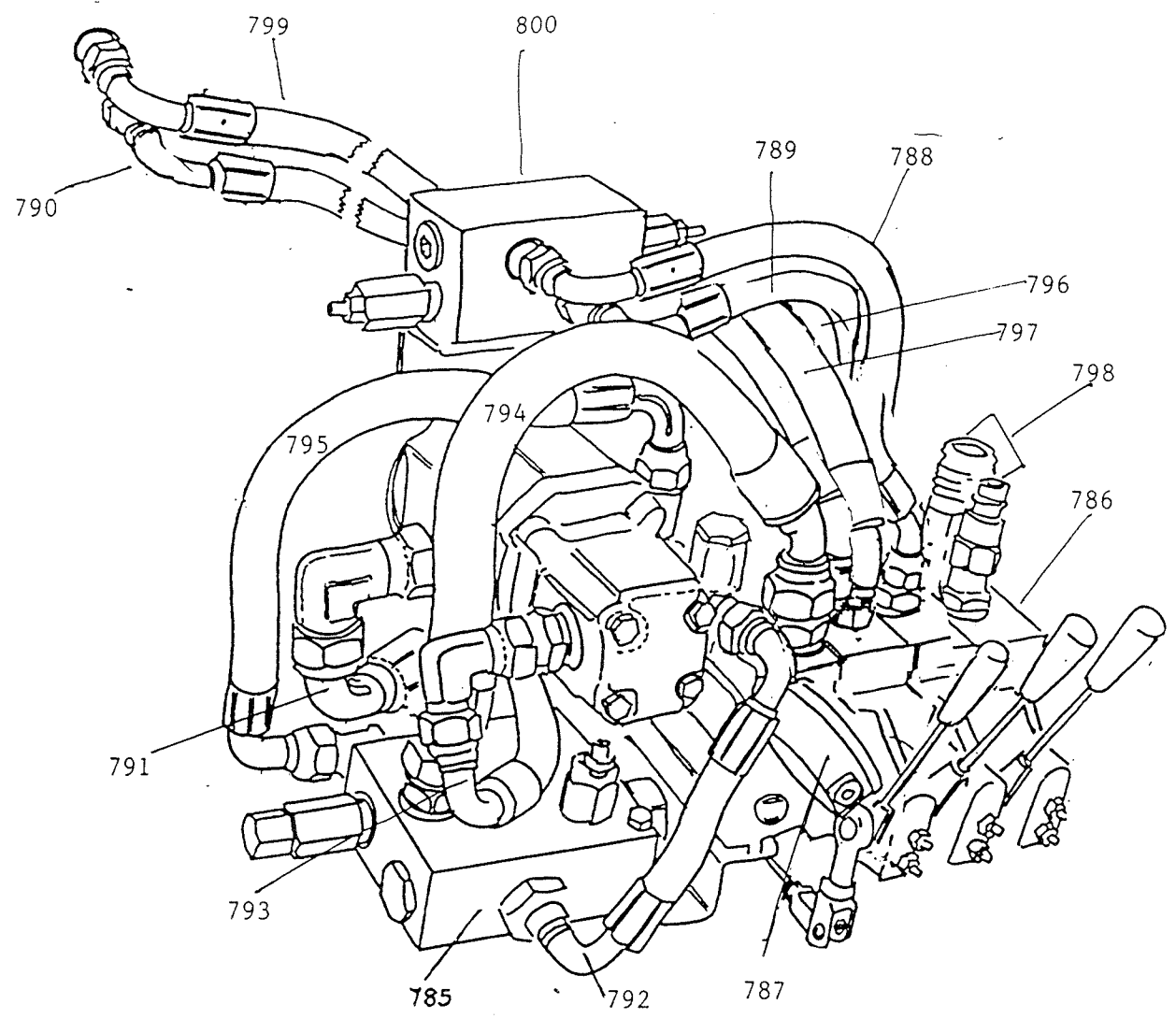
F

| KEY NO. | PART NO. | KEY NO. | PART NO. | KEY NO. | PART NO. |
|---------|--------------|---------|---------------------------------|---------|------------------------------------|
| 70 | 531 01 20-39 | | | 727 | 508 02 09-27 Settskrue M6 x 16 |
| 71 | 531 01 20-34 | | | 728 | 508 02 09-28 Settskrue M6 x 8 |
| 72 | 531 01 20-41 | | | 729 | 508 02 09-29 Vippstaggaffel/ring |
| 73 | 531 01 20-40 | | | 730 | 508 02 09-30 Vippestag |
| 74 | 531 01 20-41 | | | 731 | 508 02 09-31 Bolt M 6 |
| 75 | 531 01 20-38 | | | 732 | 508 02 09-32 Multer M 6 Nylock |
| 76 | 531 01 20-42 | | | 733 | 508 02 09-33 Mellomstykke |
| 77 | 734 11 71-71 | | | 734 | 508 02 09-34 Manøverspak |
| 78 | 531 01 20-33 | | | 735 | 508 02 09-35 Bolt M8x 70 |
| 79 | 734 11 71-71 | | | 736 | 508 02 09-36 Multer M8 Nylock |
| 80 | 732 25 20-01 | | | 737 | 508 02 09-37 Bolt til festeklammer |
| 486 | 531 0018-81 | | | | |
| 714 | 508 02 09-14 | | Bremsehåndtak | | |
| 715 | 508 02 09-15 | | Dreneringsjern | 812 | 5080209-52 Bolt M6 x 26 |
| 716 | 508 02 09-16 | | Strømpe brems 173 cm | | |
| 717 | 508 02 09-17 | | Endestykke vaier | | |
| 718 | 508 02 09-18 | | Manøvervaier 275 cm | | |
| 719 | 508 02 09-19 | | Manøvervaier 300 cm | | |
| 720 | 508 02 09-20 | | Stag for manøvervaier -april-94 | | |
| 721 | 508 02 09-21 | | Festeklammer | | |
| 722 | 508 02 09-22 | | Festegaffel | | |
| 723 | 508 02 09-23 | | Styrespak | | |
| 724 | 508 02 09-24 | | Styrespak øvre del | | |
| 725 | 508 02 09-25 | | Skrue Umbraco M 6 x 25 | | |
| 726 | 508 02 09-26 | | Festehylse | | |
| | | | Settskrue M6 x 16 (Spisset) | | |

G



| KEY NO. | PART NO. | KEY NO. | PART NO. | KEY NO. | PART NO. |
|------------|--------------|------------|------------------|------------|-------------|
| 801 | 508 02 09-96 | | Multer M. | | |
| 802 | 508 02 09-97 | | Skive | | |
| 803 | 508 02 09-98 | | Aksel eksentrisk | | |
| 804 | 508 02 09-99 | | Styrerull plast | | |
| 805 | 508 02 10-00 | | Skive | | |
| 806 | 508 02 10-01 | | Multer | | |
| 807 | 508 02 10-02 | | Bunnplugg | | |
| 808 | 508 02 10-03 | | Spakarm PVG | | |
| 809 | 508 02 10-04 | | Settskrue M8 | | |
| 810 | 508 02 10-05 | | Gjengestag M8 | | |
| 811 | 508 02 10-06 | | Endeledd M8 | | |
| 813 | 508 02 10-07 | | Gummidemper | | |



PART

KEY

PART

KEY
NO.

PART
NO.

| KEY NO. | PART NO. | KEY NO. | PART NO. | KEY NO. | PART NO. |
|------------|--------------|------------|--------------------------------------|------------|-------------|
| 785 | 508 02 09-81 | | Utløserventil til 3,6 ccm pumpe | | |
| 786 | 508 02 09-82 | | Manøserventil kpl. | | |
| 787 | 508 02 09-83 | | Manometer | | |
| 788 | 508 02 09-84 | | Slange PVG - Balanseventil | | |
| 789 | 508 02 09-85 | | Slange PVG - Balanseventil | | |
| 790 | 508 02 09-86 | | Slange Balanseventil - vinsj | | |
| 791 | 508 02 09-87 | | Slange Sug 11 ccm | | |
| 792 | 508 02 09-88 | | Slange pumpe 3,6 ccm - Utløserventil | | |
| 793 | 508 02 09-89 | | Slange pumpe 3,6 ccm | | |
| 794 | 508 02 09-90 | | Slange trykk utløserventil - PVG | | |
| 795 | 508 02 09-91 | | Slange trykk 11 ccm - utløserventil | | |
| 796 | 508 02 09-92 | | Slange fremdriftsmotor | | |
| 797 | 508 02 09-93 | | Slange fremdriftsmotor | | |
| 798 | 501 39 75-04 | | FFKoplinger 1/2 " | | |
| 799 | 508 02 09-94 | | Slange Balanseventil - vinsj | | |
| 800 | 508 02 09-95 | | Balanseventil dobbel | | |