

J O N S E R E D S E R V I C E



IPL, JH 125, 1998-05

I9800029

JH 125

RESERVDLAR
SPARE PARTS
ERSATZTEILE
PIECES DE RECHANGE
PIEZAS DE REPUESTO
RICAMBI
PEÇAS SOBRESSELENTE

106 25 14-61

MODEL NUMBER JH125

PART NUMBER	SQUARE	NOTE	PART NUMBER	SQUARE	NOTE	PART NUMBER	SQUARE	NOTE	PART NUMBER	SQUARE	NOTE
501 39 94-01	C		531 00 01-90	E		531 00 10-73	H		531 01 20-75	D	
501 40 14-01	A		531 00 01-91	E		531 00 10-75	H		531 01 20-82	D	
531 00 00-01	A		531 00 01-92	E		531 00 10-76	H		531 01 20-83	H	
531 00 00-02	A		531 00 01-93	E		531 00 10-77	H		531 01 20-84	G	
531 00 00-04	A		531 00 01-94	AEH		531 00 10-78	H		531 01 20-85	H	
531 00 00-05	A		531 00 01-95	A		531 00 10-80	H		531 01 20-94	F	
531 00 00-06	A		531 00 02-27	F		531 00 10-81	H		531 01 20-95	F	
531 00 00-13	AE		531 00 02-45	H		531 00 10-82	H		531 01 21-02	H	
531 00 00-14	E		531 00 02-51	H		531 00 10-83	H		531 01 21-03	H	
531 00 00-15	A		531 00 02-52	H		531 00 10-84	H		531 01 21-04	H	
531 00 00-16	A		531 00 02-55	C		531 00 10-85	H		531 01 21-08	H	
531 00 00-17	AG		531 00 02-75	F		531 00 10-86	H		531 01 21-09	H	
531 00 00-19	A		531 00 02-95	F		531 00 10-87	H		531 01 21-76	F	N
531 00 00-20	A		531 00 03-26	C		531 00 10-88	H		531 01 21-89	H	N
531 00 00-22	A		531 00 03-27	C		531 00 10-90	H		531 01 92-92	H	N
531 00 00-76	D		531 00 03-28	C		531 00 10-91	F		531 01 93-00	A	
531 00 00-80	DH		531 00 03-30	C		531 00 11-07	E		531 01 93-01	C	
531 00 00-82	D		531 00 03-32	C		531 00 11-08	E		531 01 93-02	C	
531 00 00-83	D		531 00 03-33	C		531 00 11-12	H		531 01 93-03	C	
531 00 00-84	D		531 00 03-35	C		531 00 11-13	H		531 01 93-04	D	
531 00 00-85	D		531 00 03-36	C		531 00 11-18	H		531 01 93-13	D	
531 00 00-86	D		531 00 03-37	C		531 00 11-19	H		531 01 93-17	C	
531 00 00-87	D		531 00 03-38	C		531 00 11-22	H		531 01 93-18	D	
531 00 00-88	D		531 00 03-40	C		531 00 11-24	H		531 01 93-19	C	
531 00 00-89	D		531 00 03-42	C		531 00 14-03	C		531 01 93-20	C	
531 00 00-90	DH		531 00 03-44	AC		531 00 14-05	D		531 01 93-21	C	
531 00 00-91	D		531 00 03-45	C		531 00 14-11	F	N	531 01 93-22	C	
531 00 00-92	D		531 00 03-46	C		531 00 14-16	F	N	531 01 93-23	C	
531 00 00-93	D		531 00 04-24	H		531 00 14-29	F	N	531 01 93-24	C	
531 00 00-94	D		531 00 09-25	A		531 00 14-83	A		531 01 93-26	C	
531 00 00-97	D		531 00 09-42	F		531 00 14-84	A		531 01 93-27	D	
531 00 01-01	D		531 00 09-73	D		531 00 14-86	A		531 01 93-40	C	
531 00 01-03	D		531 00 09-74	D		531 00 14-87	A		531 01 93-46	D	
531 00 01-05	D		531 00 09-99	H		531 00 14-88	A		531 01 93-47	D	
531 00 01-06	D		531 00 10-02	H		531 00 14-90	A		531 01 93-48	D	
531 00 01-07	D		531 00 10-12	H		531 00 14-93	A		531 01 93-54	G	
531 00 01-08	D		531 00 10-16	H		531 00 15-63	A	N	531 01 93-55	G	
531 00 01-12	H		531 00 10-18	H		531 00 16-95	G		531 01 93-70	ADF	N
531 00 01-15	D		531 00 10-20	H		531 00 16-98	G		531 01 94-82	E	N
531 00 01-16	D		531 00 10-24	H		531 00 16-99	G		531 01 95-04	B	N
531 00 01-17	D		531 00 10-29	H		531 00 17-62	G		531 01 95-06	B	N
531 00 01-20	D		531 00 10-41	H		531 00 17-63	G		531 01 95-09	D	N
531 00 01-22	D		531 00 10-43	H		531 00 17-64	G		531 01 95-19	B	N
531 00 01-24	D		531 00 10-44	H		531 00 18-26	C		531 01 95-21	B	N
531 00 01-28	GH		531 00 10-45	H		531 00 18-28	C		531 01 95-22	B	N
531 00 01-29	D		531 00 10-46	H		531 00 18-83	C		531 01 95-42	H	N
531 00 01-30	D		531 00 10-47	H		531 00 18-84	C		531 01 95-84	B	N
531 00 01-31	D		531 00 10-48	H		531 01 19-16	A		531 01 95-85	B	N
531 00 01-36	D		531 00 10-49	H		531 01 19-19	A		531 01 95-90	A	N
531 00 01-42	D		531 00 10-50	H		531 01 19-22	A		531 01 95-91	AB	N
531 00 01-43	D		531 00 10-51	H		531 01 19-80	G	N	531 01 95-92	AB	N
531 00 01-44	D		531 00 10-52	H		531 01 19-81	D	N	531 01 96-09	E	N
531 00 01-47	G		531 00 10-54	H		531 01 19-82	DG	N	531 01 96-10	F	N
531 00 01-49	G		531 00 10-55	H		531 01 20-13	F	N	531 01 96-11	F	N
531 00 01-50	G		531 00 10-56	H		531 01 20-14	F	N	531 01 96-12	F	N
531 00 01-51	G		531 00 10-57	H		531 01 20-19	G		531 01 96-13	F	N
531 00 01-52	G		531 00 10-58	H		531 01 20-20	G		531 01 96-14	F	N
531 00 01-55	G		531 00 10-59	H		531 01 20-21	G		531 01 96-15	F	N
531 00 01-59	G		531 00 10-60	H		531 01 20-23	G		531 01 96-16	F	N
531 00 01-65	G		531 00 10-61	H		531 01 20-24	G		531 01 96-17	F	N
531 00 01-66	G		531 00 10-63	H		531 01 20-26	G		531 01 96-18	F	N
531 00 01-68	G		531 00 10-64	H		531 01 20-27	G		531 01 96-19	F	N
531 00 01-69	G		531 00 10-65	H		531 01 20-28	H		531 01 96-20	F	N
531 00 01-75	E		531 00 10-66	H		531 01 20-30	D		531 01 96-21	F	N
531 00 01-76	E		531 00 10-67	H		531 01 20-31	D		531 01 96-23	E	N
531 00 01-77	E		531 00 10-68	H		531 01 20-32	H		531 01 96-24	EF	N
531 00 01-78	EFH		531 00 10-69	H		531 01 20-36	H		531 01 96-25	F	N
531 00 01-81	E		531 00 10-70	H		531 01 20-41	F		531 01 96-26	F	N
531 00 01-88	E		531 00 10-71	H		531 01 20-68	A		531 01 96-27	F	N
531 00 01-89	E		531 00 10-72	H		531 01 20-70	G		531 01 96-28	F	N

MODEL NUMBER JN125

PART NUMBER SQUARE NOTE PART NUMBER SQUARE NOTE PART NUMBER SQUARE NOTE PART NUMBER SQUARE NOTE

531 01 96-29 F N
 531 01 96-31 A N
 531 01 96-32 A N
 531 01 96-35 E N
 531 01 96-42 A N
 531 01 96-43 D N
 721 61 81-01 E
 721 84 56-01 D
 723 12 87-01 F
 725 23 68-71 ADH

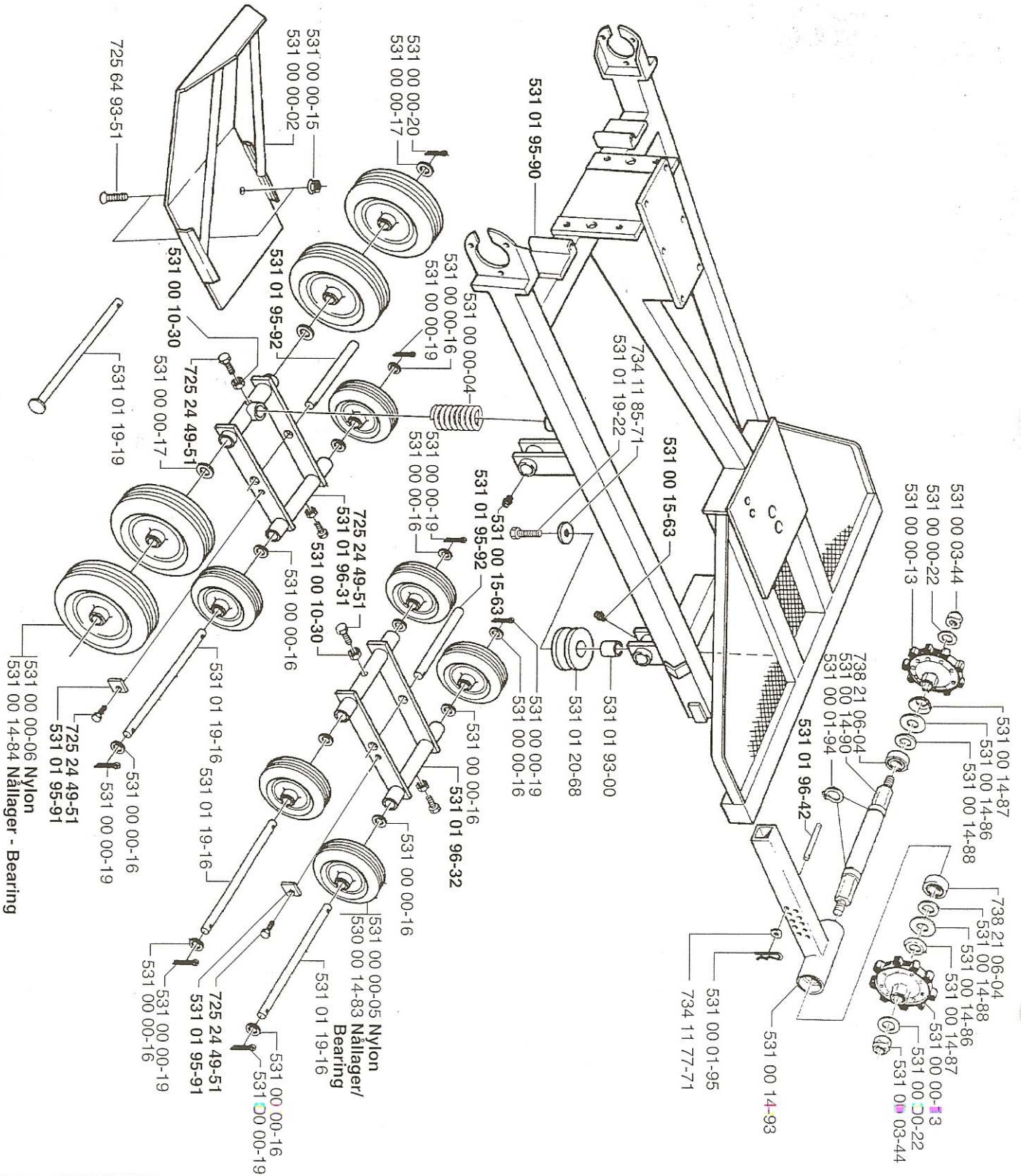
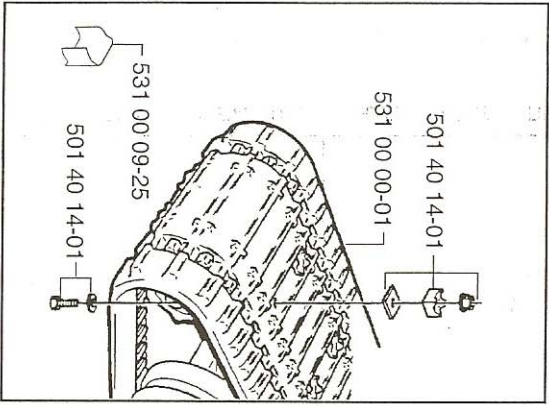
725 23 70-51 DFH
 725 23 76-51 C
 725 24 49-51 ABDEH
 725 24 61-51 GH
 725 24 71-51 E
 725 24 91-71 E
 725 24 93-71 E
 725 24 95-51 C
 725 24 97-51 CH
 725 24 99-51 C

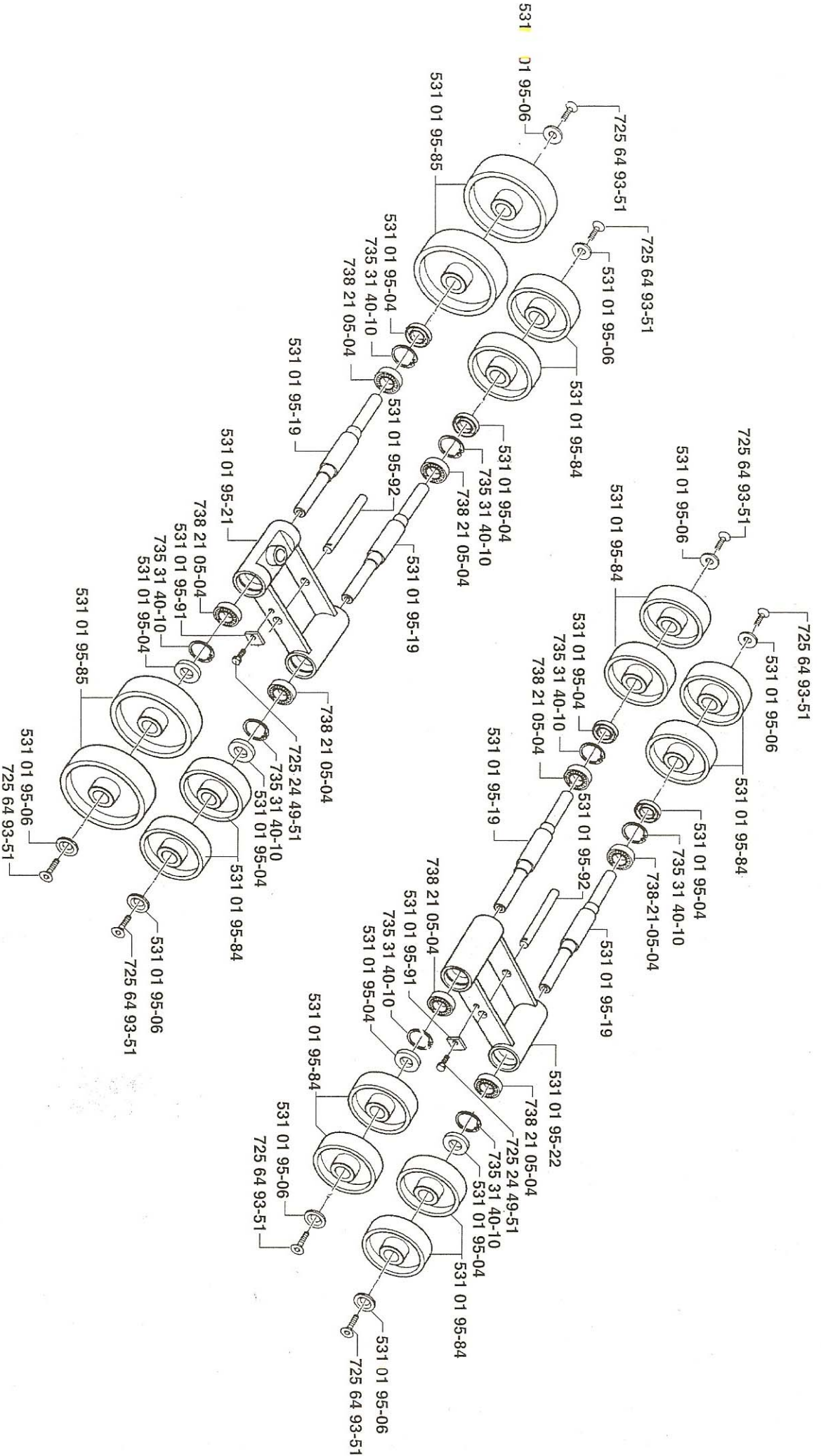
725 25 15-51 E
 725 53 76-55 C
 725 54 93-01 C
 725 63 27-51 H
 725 64 93-51 ABD
 731 23 22-01 CE
 732 21 18-01 EFH
 732 25 10-01 F
 732 25 16-01 CDFH
 732 25 20-01 CEH

732 25 22-01 CF
 734 11 51-71 CH
 734 11 62-71 DEH
 734 11 71-71 EH
 734 11 77-71 ACF
 734 11 85-71 A
 734 18 23-51 D
 735 31 19-00 D
 735 31 22-00 D
 735 31 37-10 D

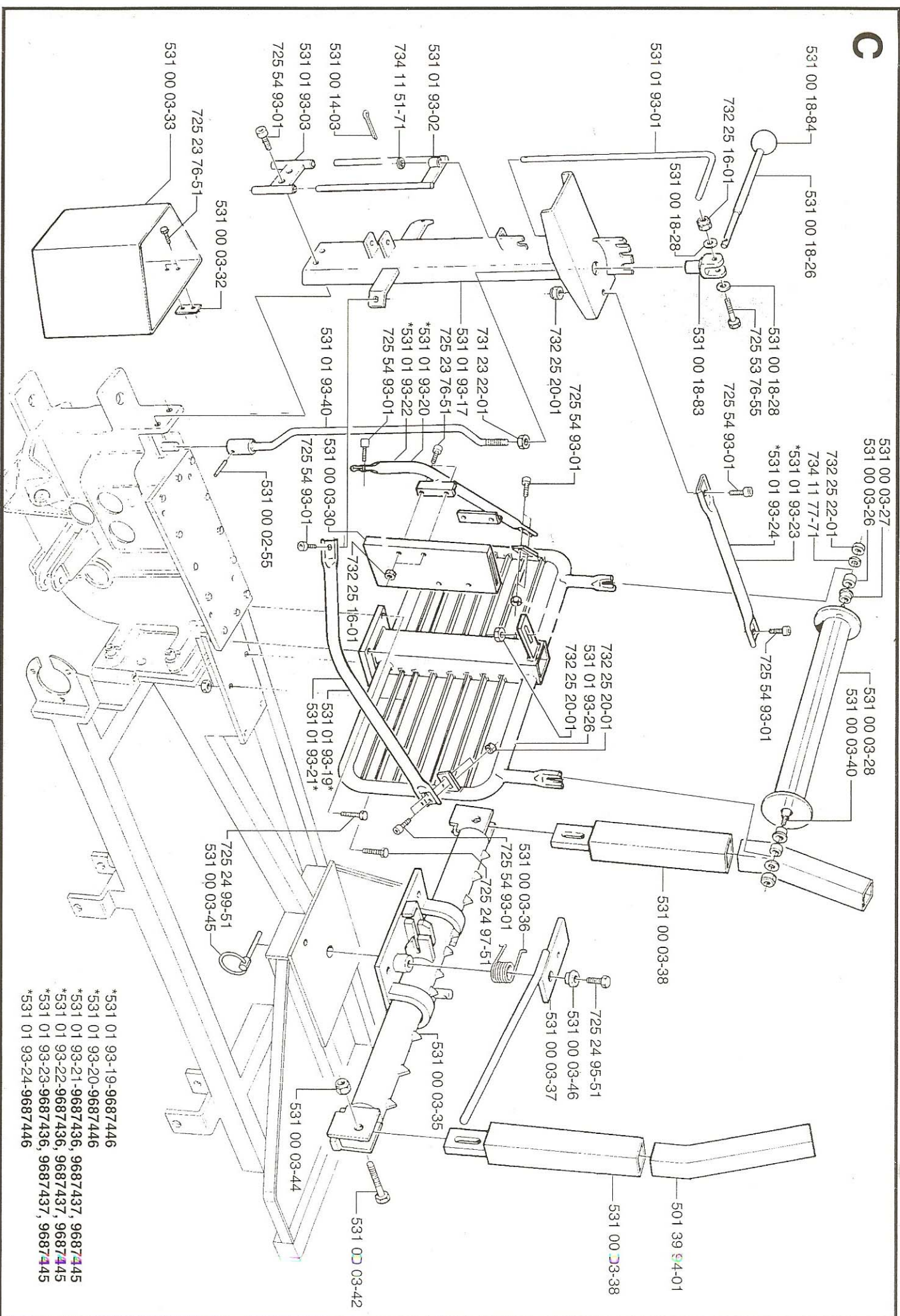
735 31 40-10 BD
 738 21 04-04 D
 738 21 05-04 BD
 738 21 06-04 A
 738 22 03-19 D
 740 42 22-00 D

A

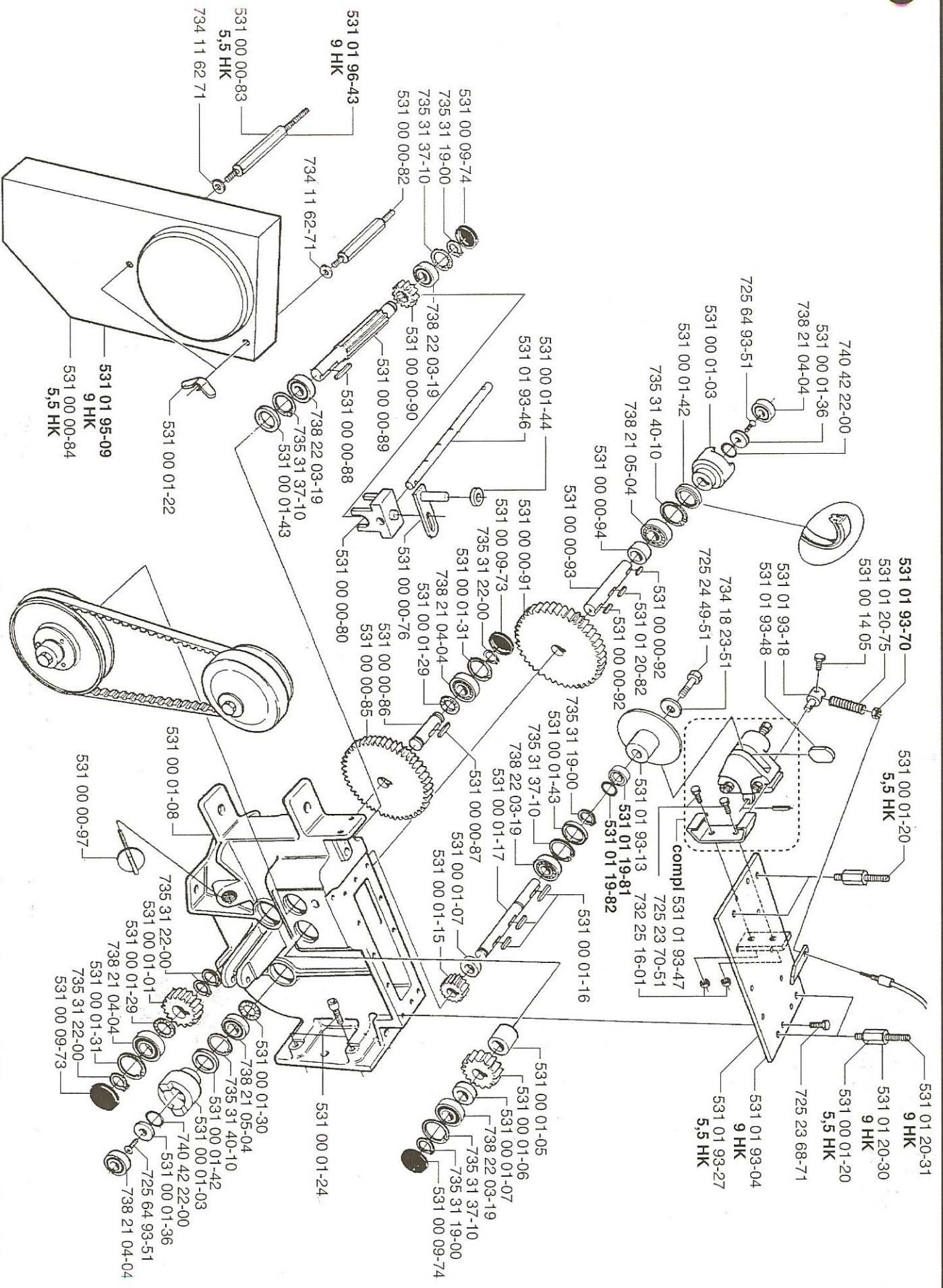


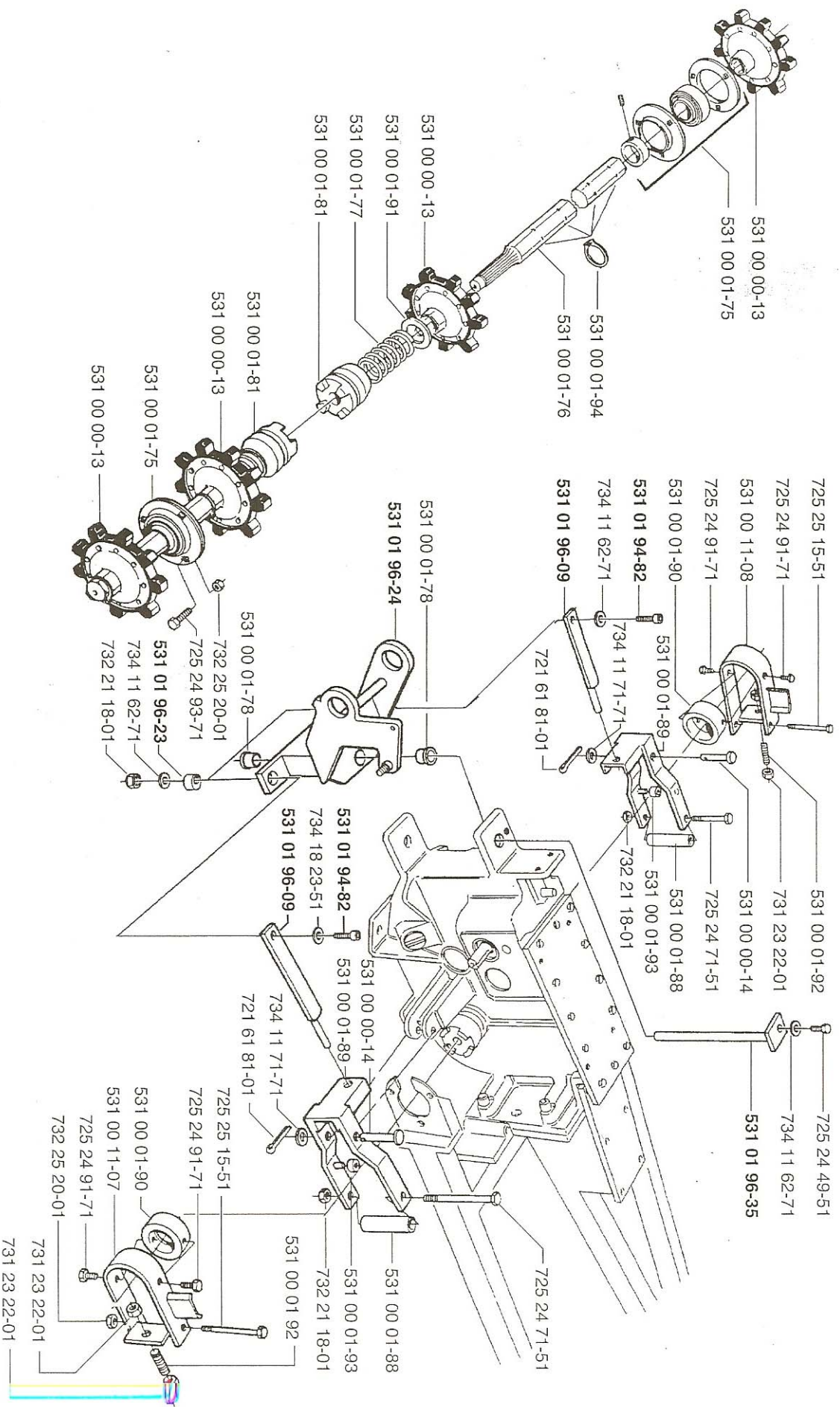


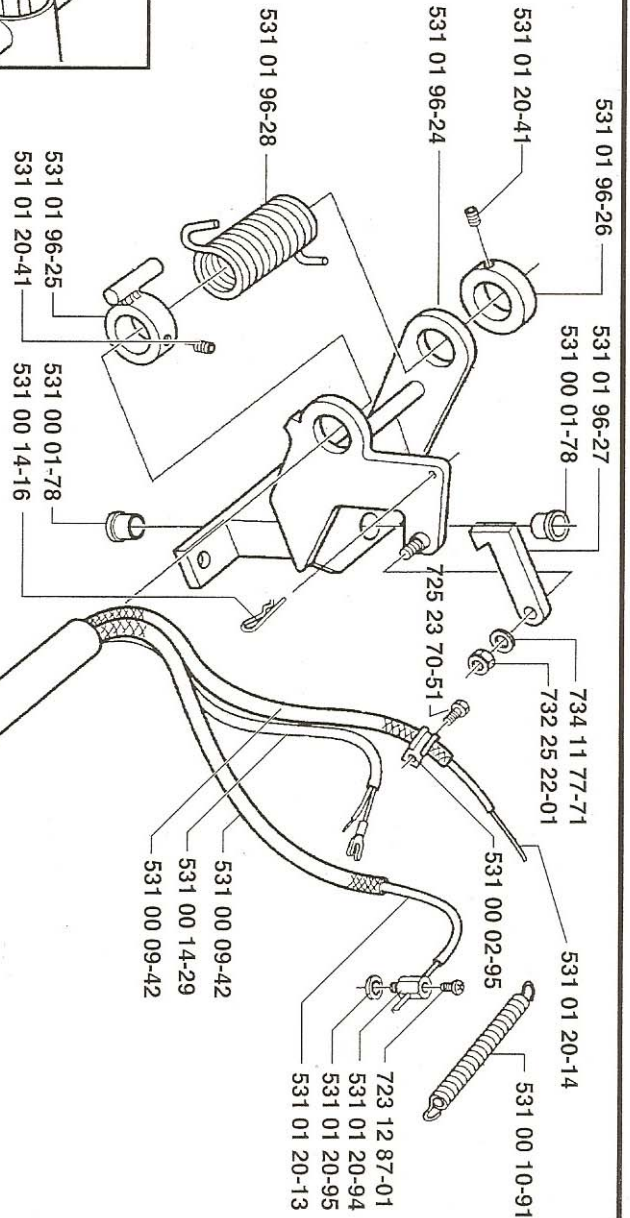
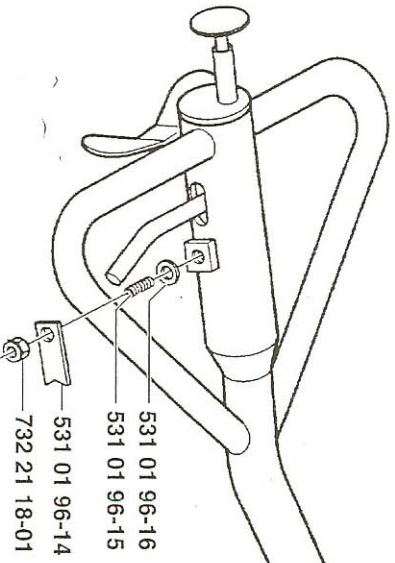
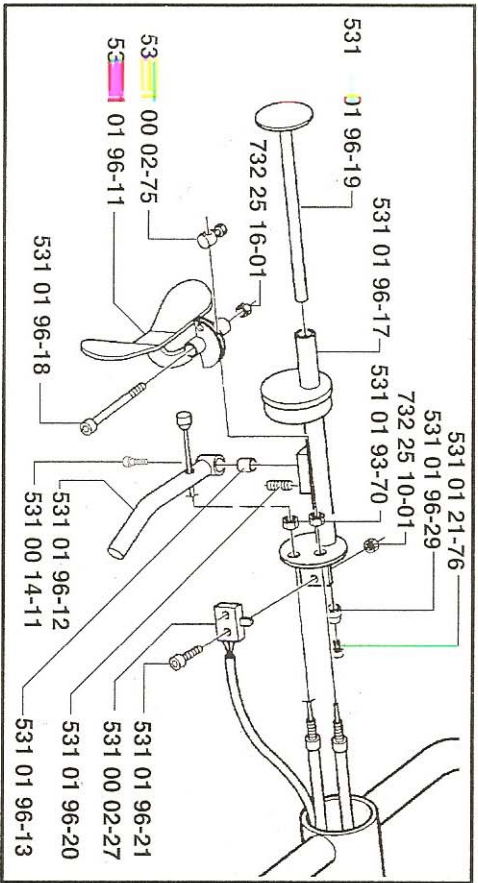
C



- *531 01 93-19-9687446
- *531 01 93-20-9687446
- *531 01 93-21-9687436, 9687437, 9687445
- *531 01 93-22-9687436, 9687437, 9687445
- *531 01 93-23-9687436, 9687437, 9687445
- *531 01 93-24-9687446

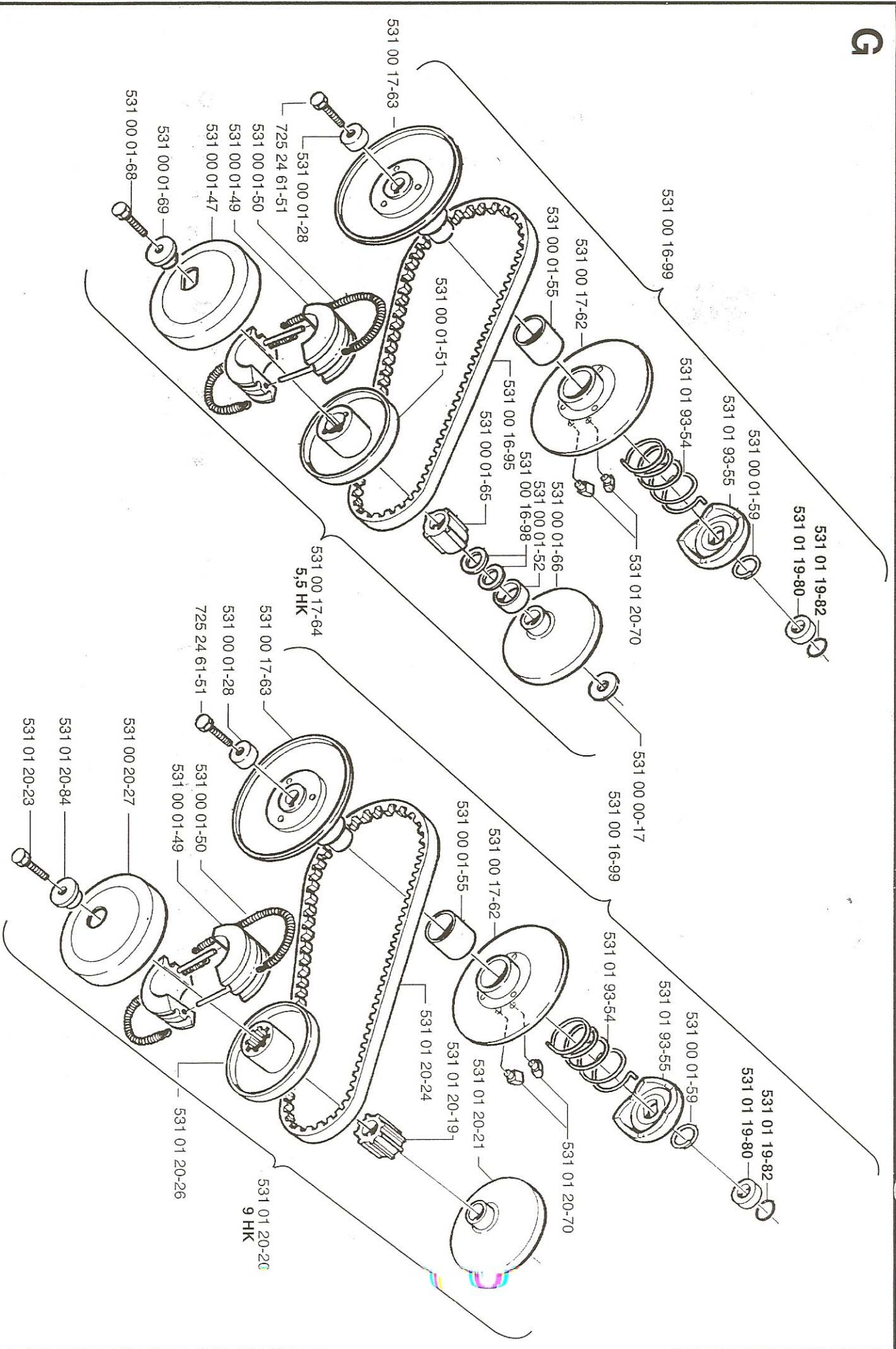






531 01 96-10

G



H

