

F

E

D

C

B

A

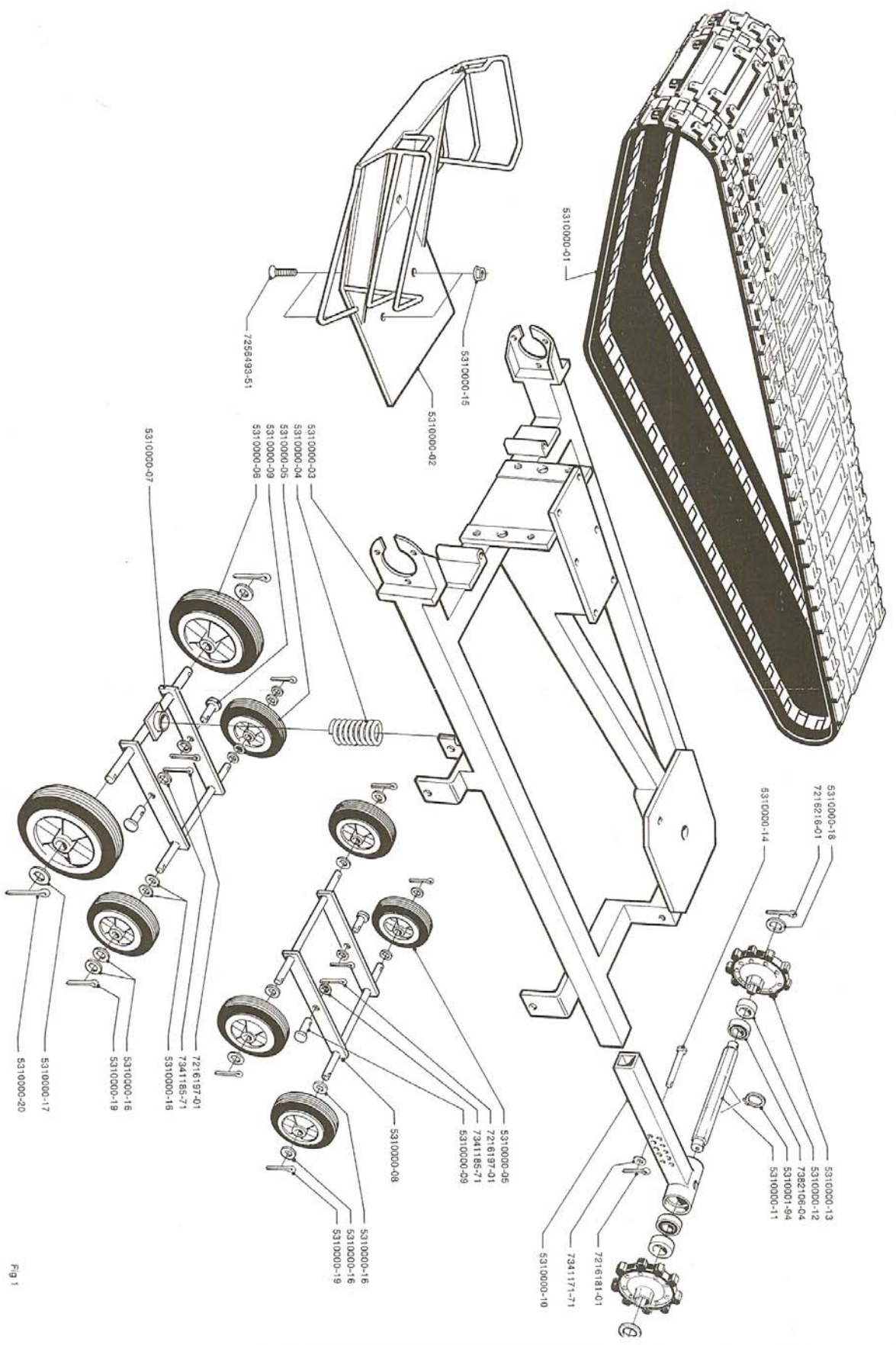


Fig 1

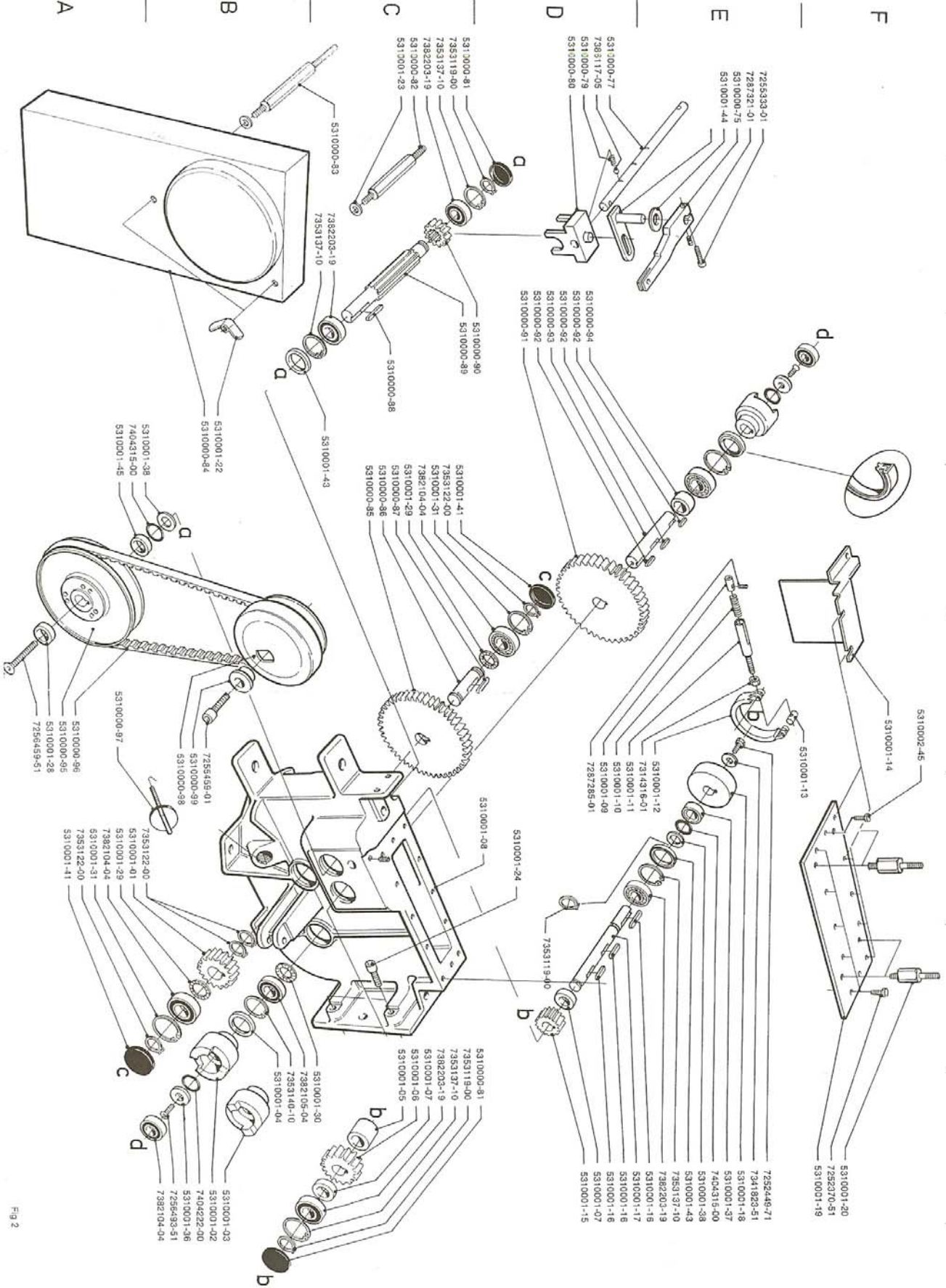


Fig 2

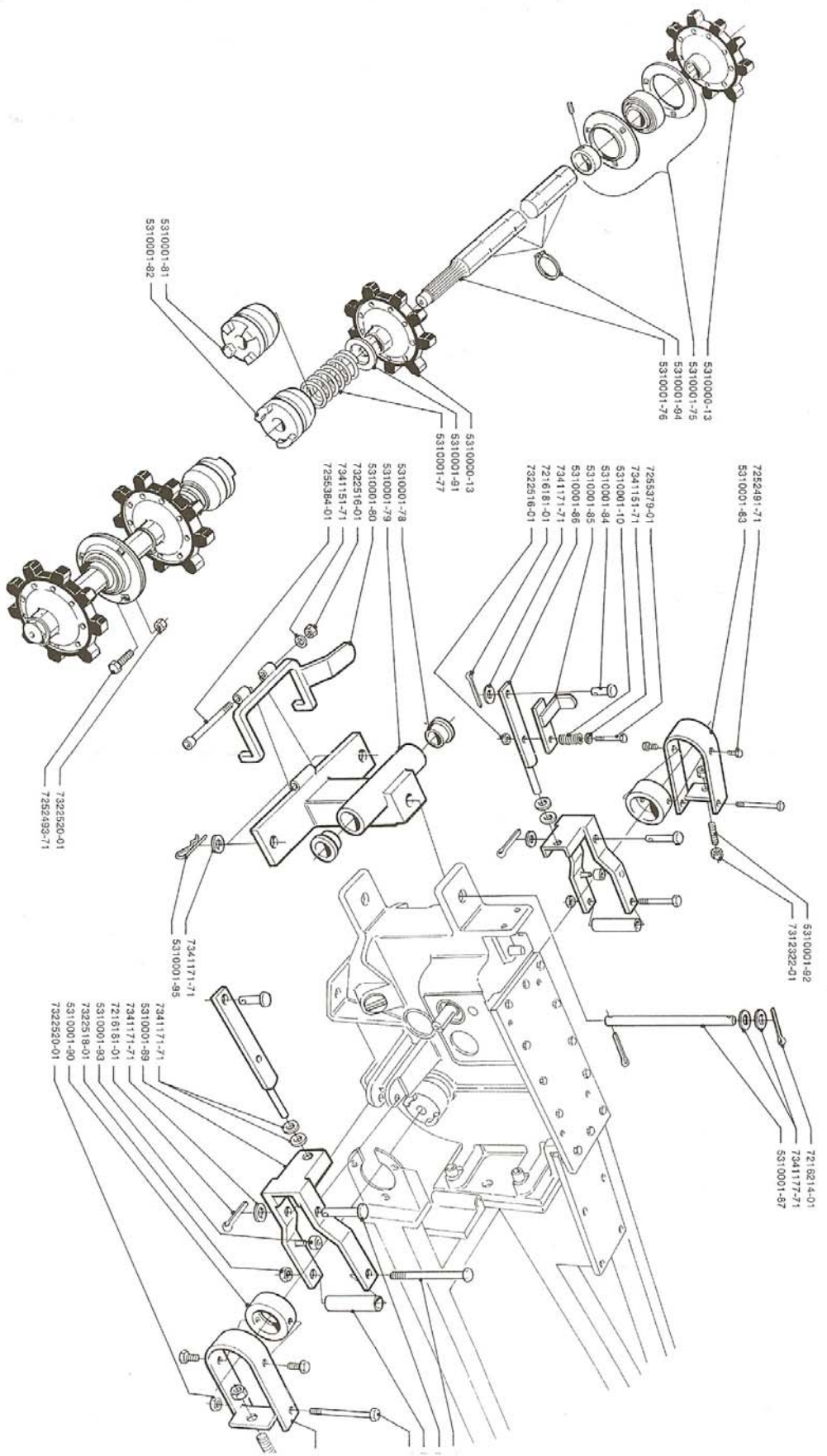


FIG 3

A

B

C

D

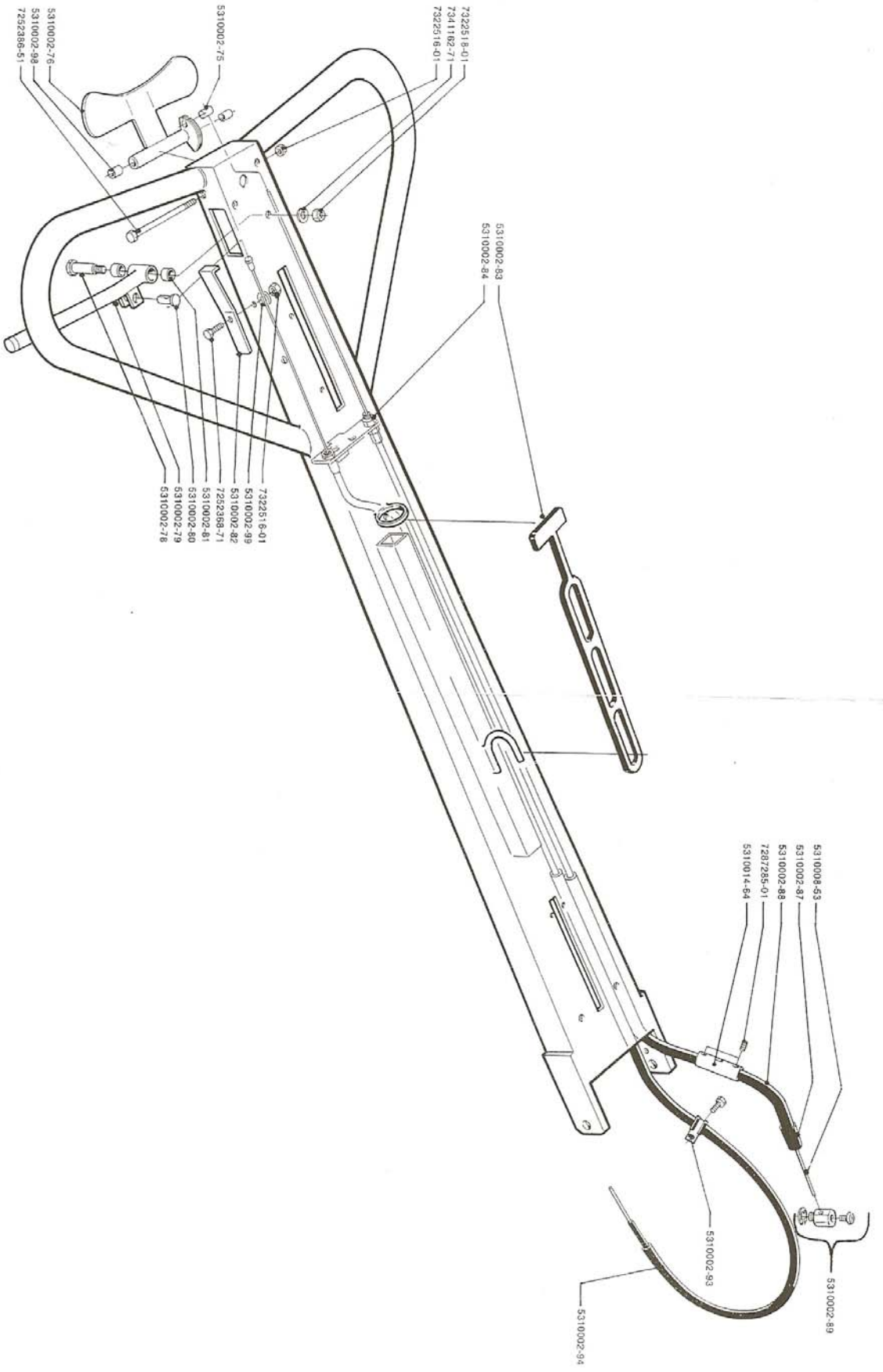
E

F

T

C

C



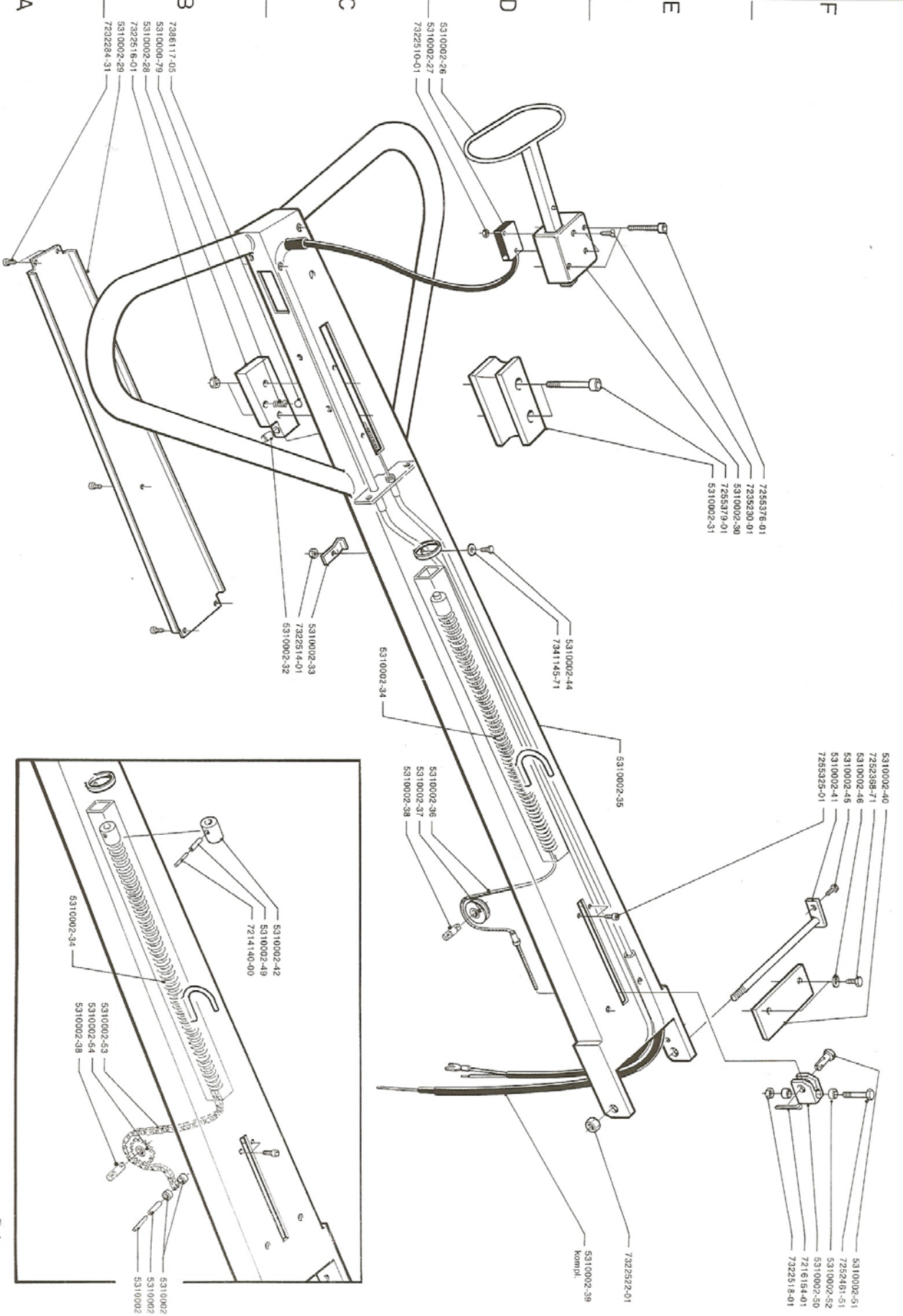


Fig 4

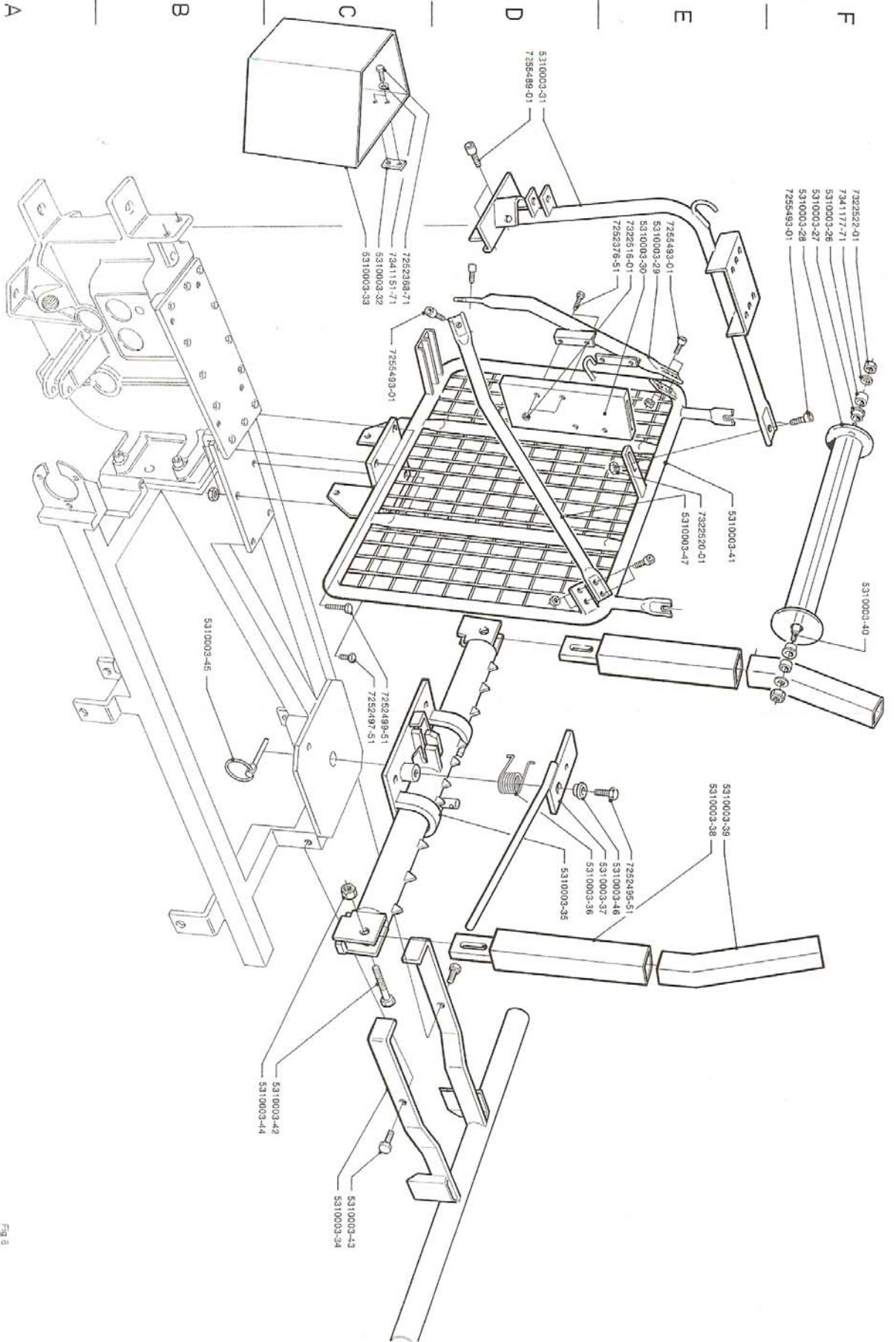
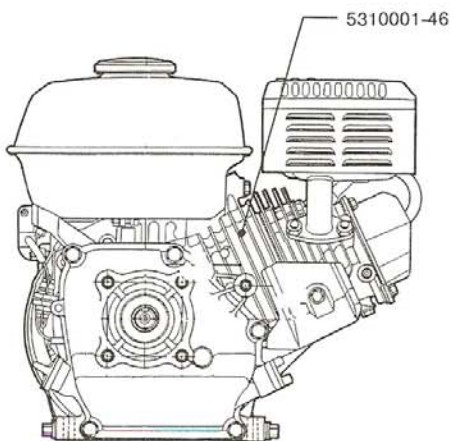
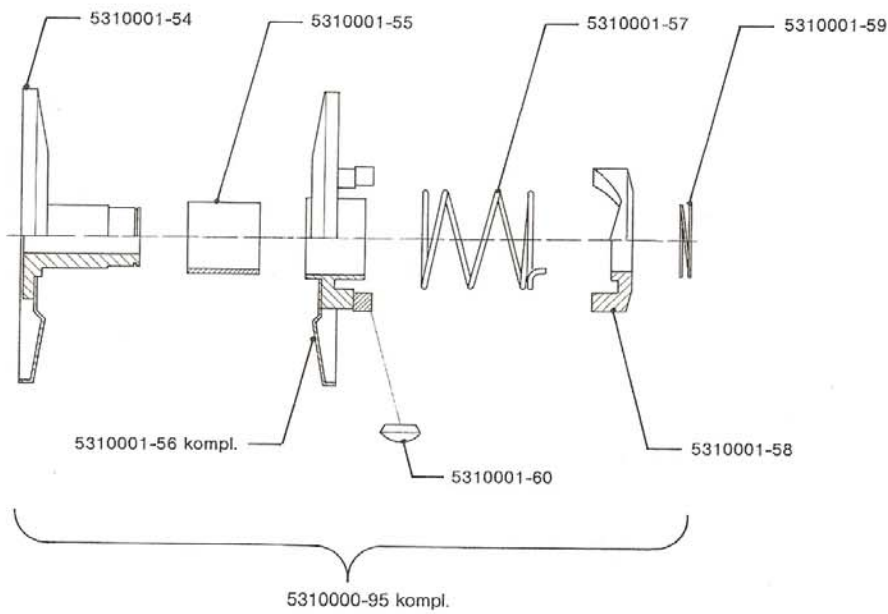
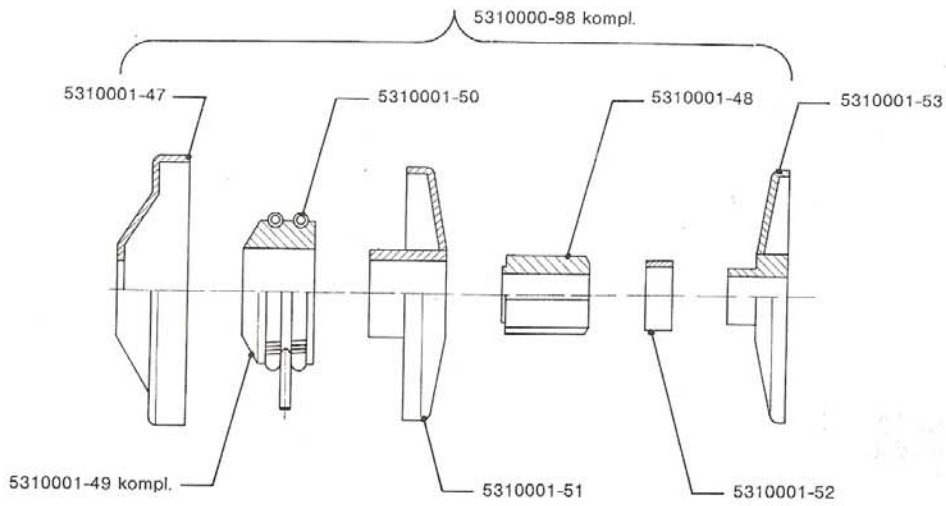
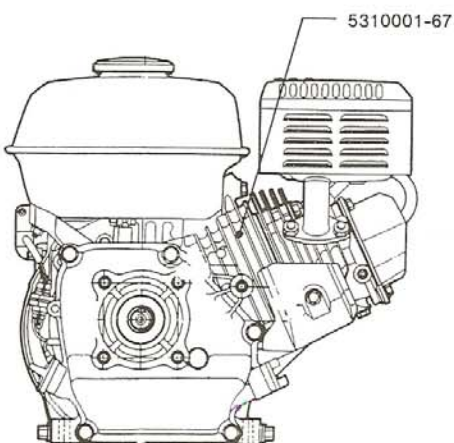
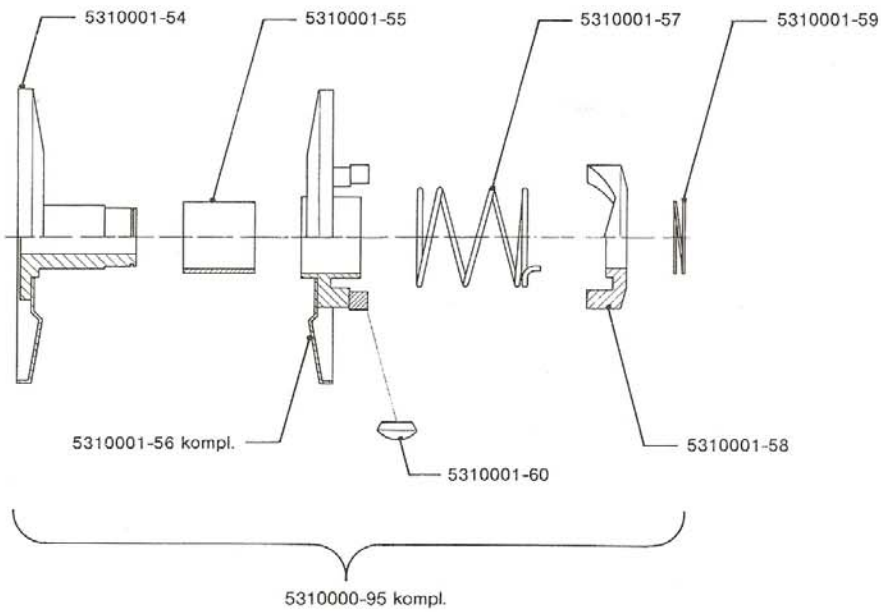
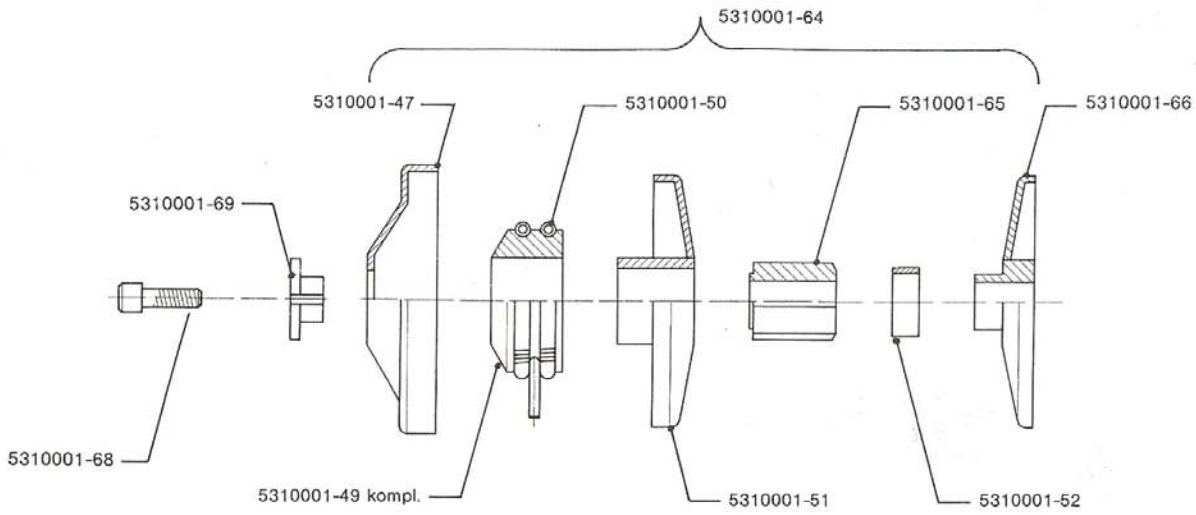


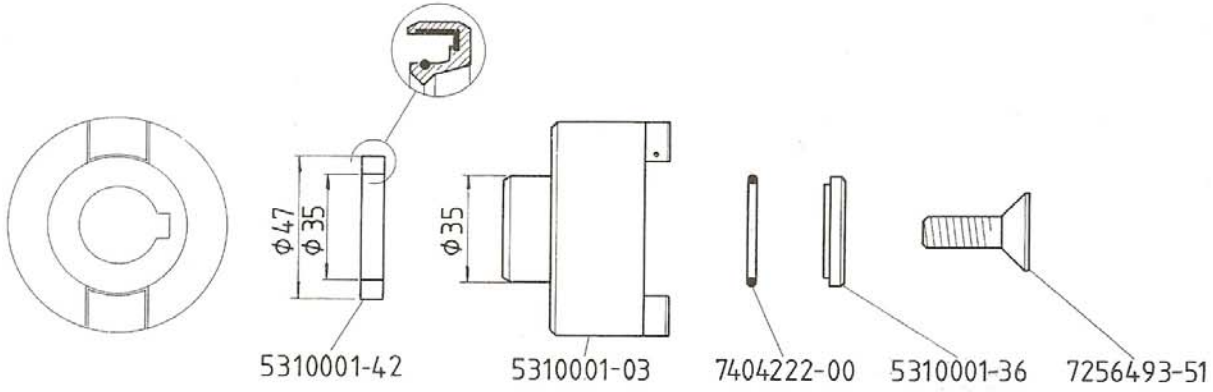
Fig 8



This page is for the engine with 20 mm shaft



This page is for the engine with 3/4" shaft



FROM CHASSIENO 1185128 (NOV -88)

