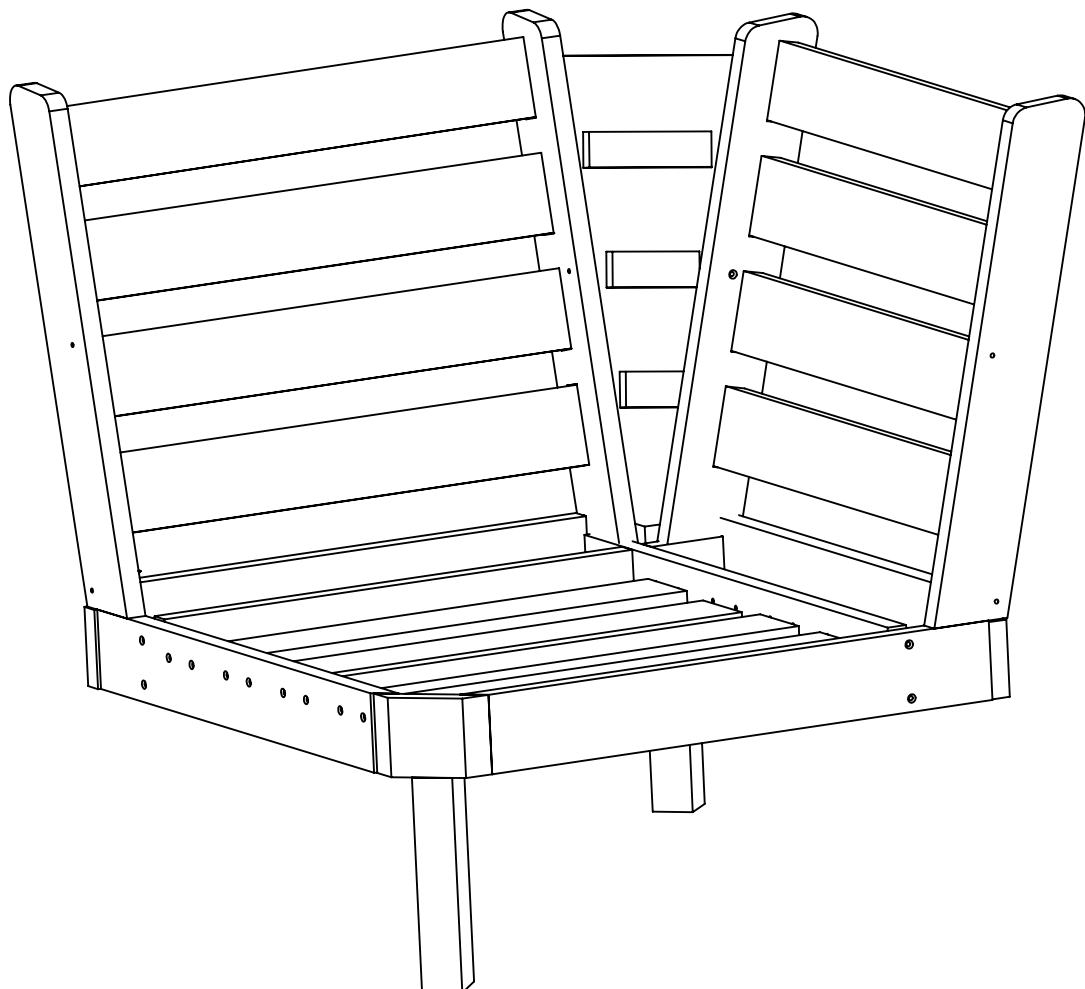




we create sustainable outdoor living

TOFINO DEEP SEATING COLLECTION

DSF286

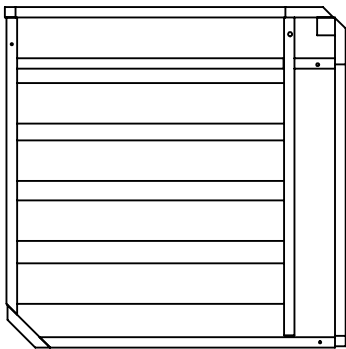


C.R. PLASTIC PRODUCTS

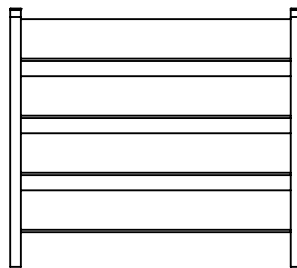
we create sustainable outdoor living

DSF286

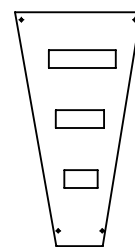
Ⓐ x1



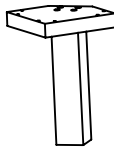
Ⓑ x2



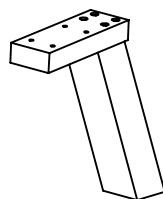
Ⓒ x1



Ⓓ x1



Ⓔ x1



Ⓕ x1



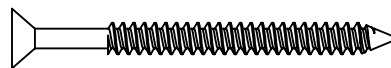
Ⓖ x1



#2



2.5" (64mm) SCREW



Ⓕ x4

1.5" (38mm) SCREW



Ⓖ x22



1-866-439-9521

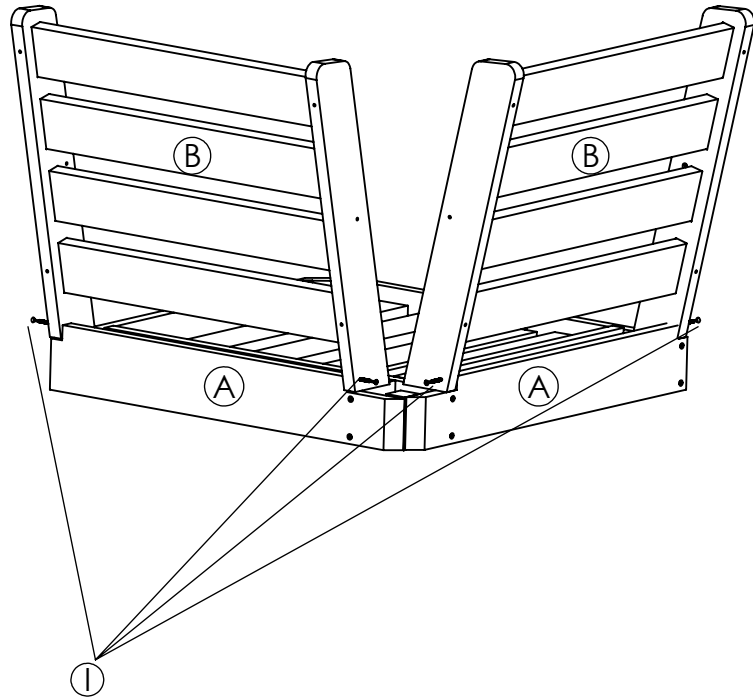


wecare@crplastics.com

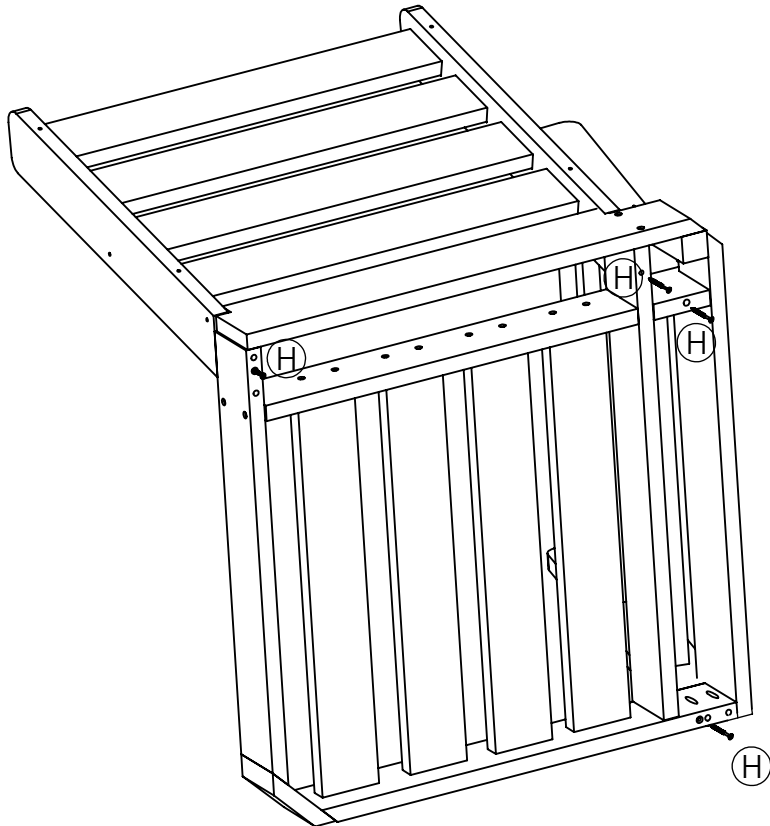


www.crpproducts.com

- 1
- Ⓐ x1
 - Ⓑ x2
 - Ⓘ x4

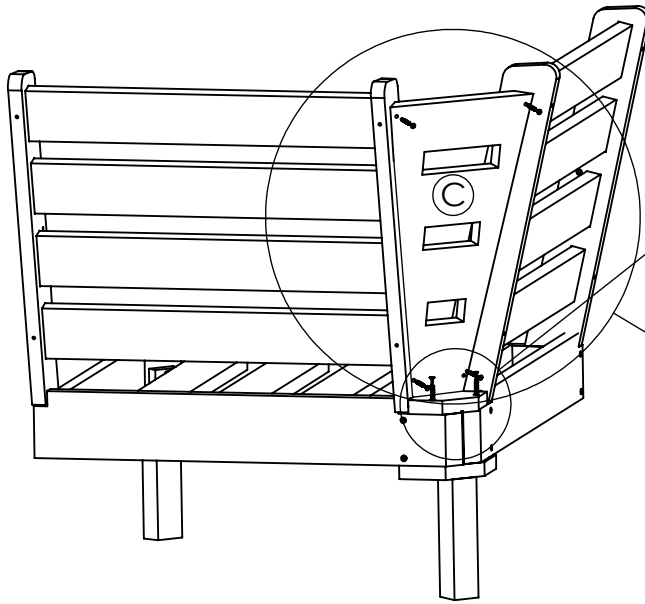


- 2
- Ⓗ x4

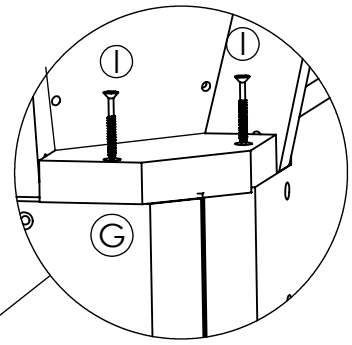


3

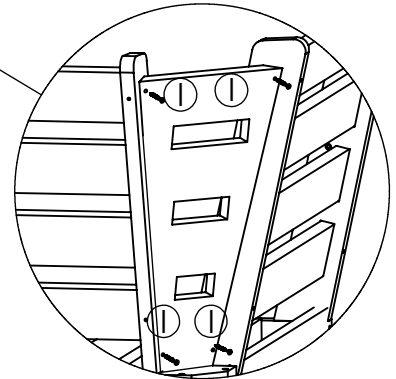
- ⓐ x1
- ⓖ x1
- Ⓡ x6



STEP 1

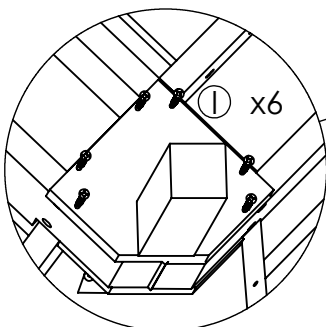
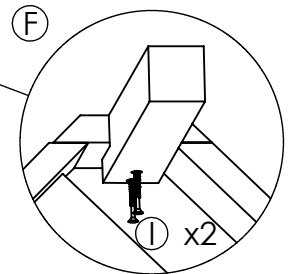
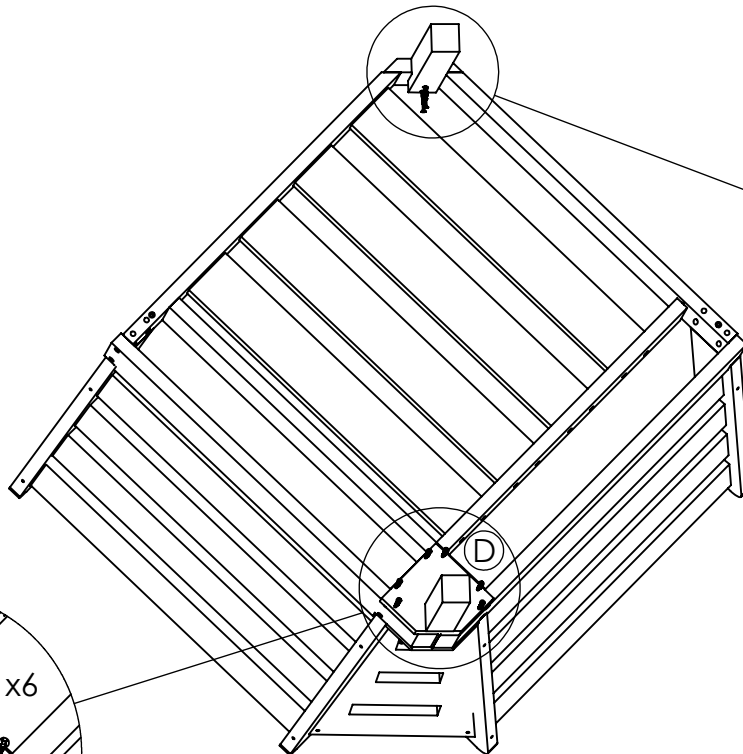


STEP 2

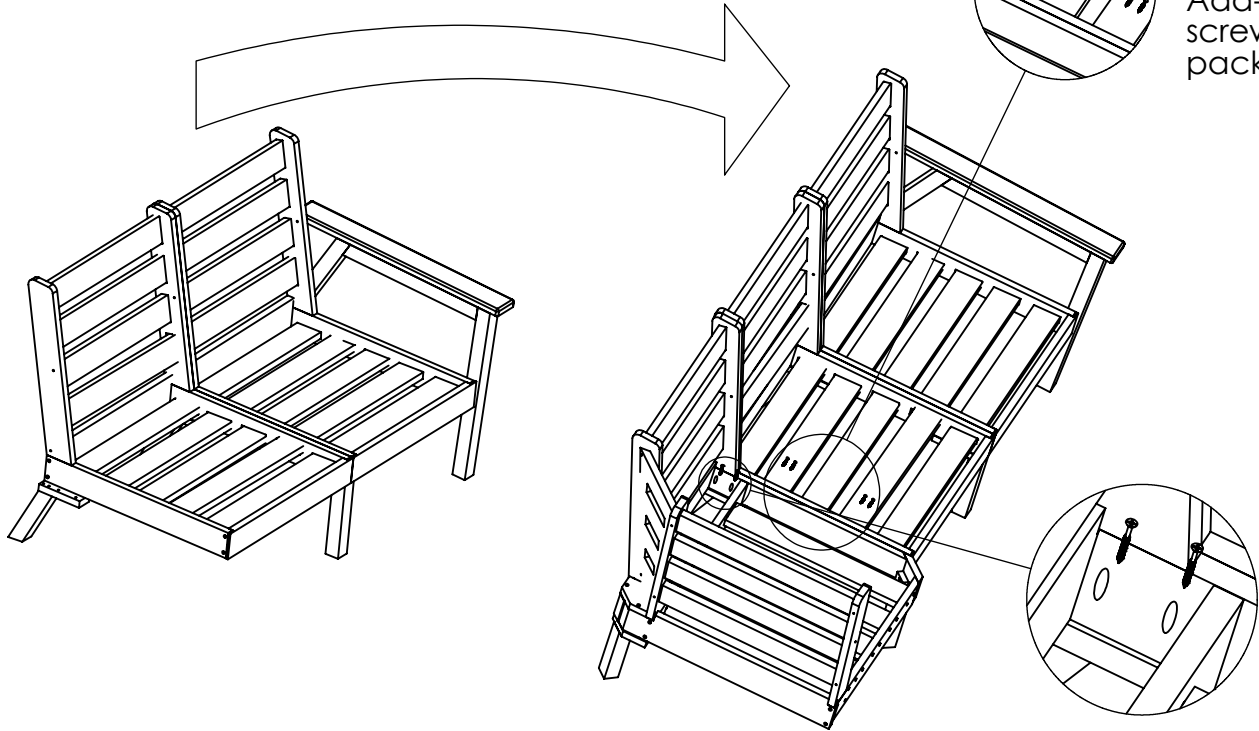


4

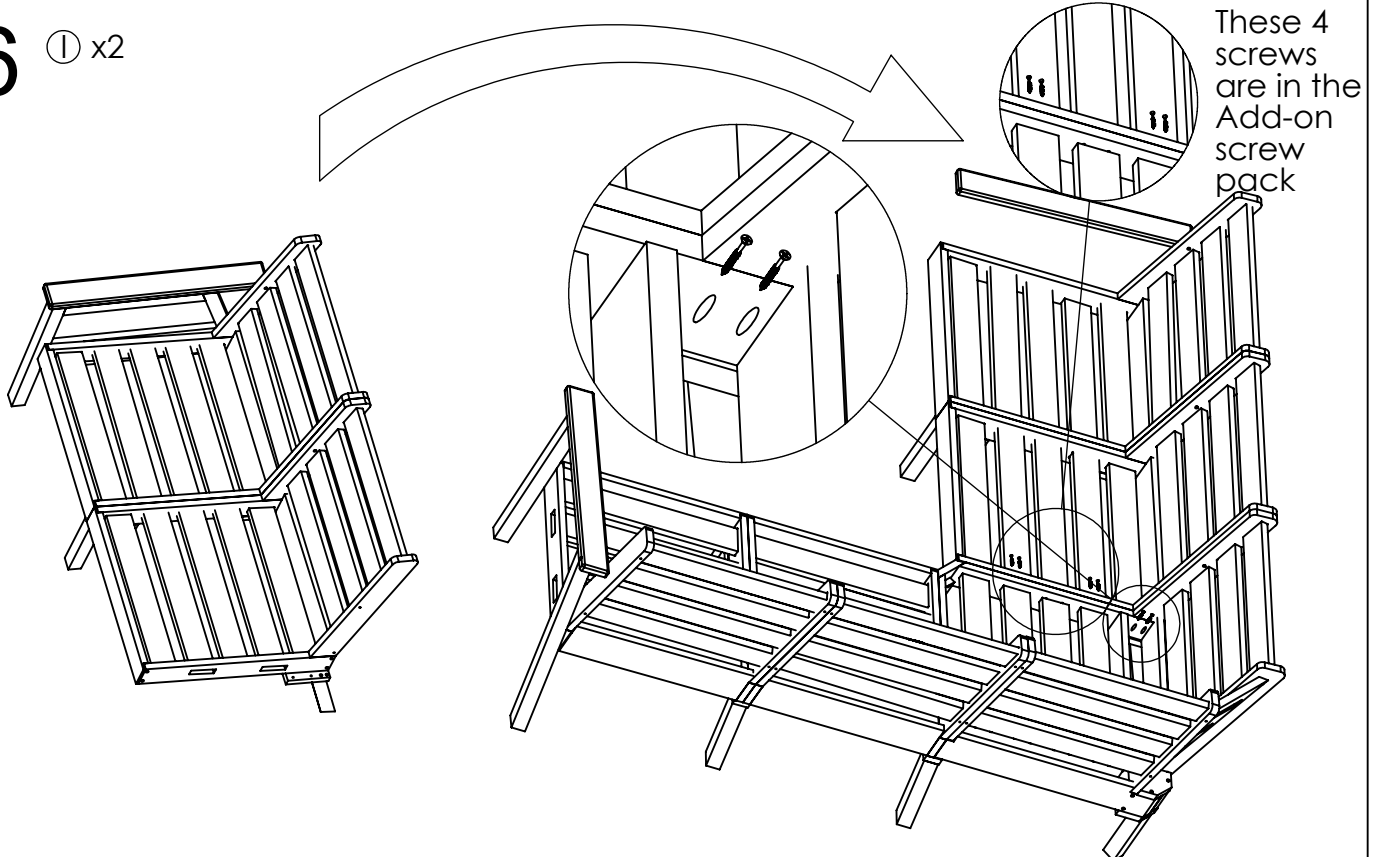
- ⓓ x1
- ⓕ x1
- Ⓡ x8



5 ① x2



6 ① x2



Once you assembled the sectional and the two add-ons (DSF 285) each side, you should have one extra add-on front leg which does not need to be used.