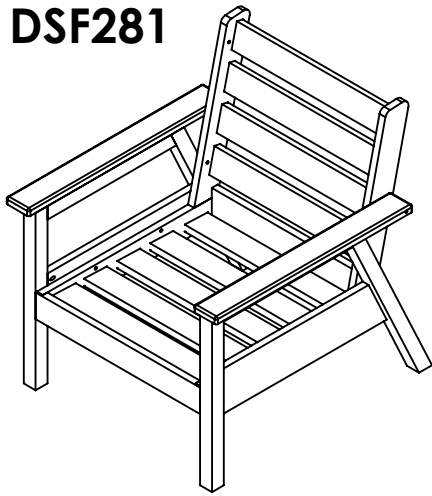


 **C.R. PLASTIC  
PRODUCTS**

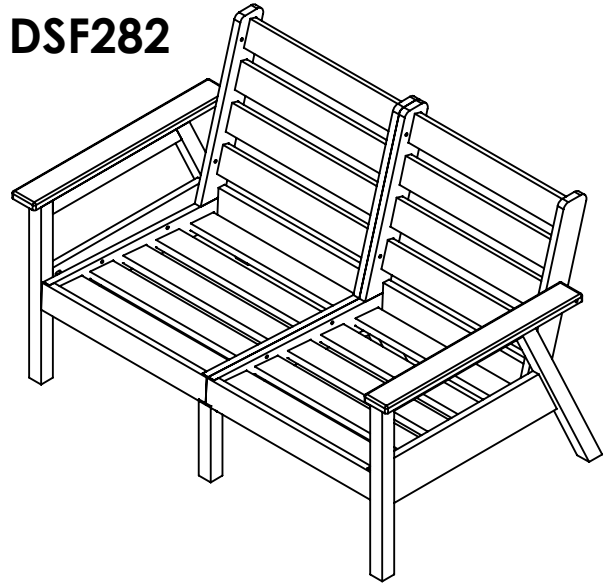
*we create* sustainable outdoor living

**TOFINO DEEP SEATING COLLECTION**

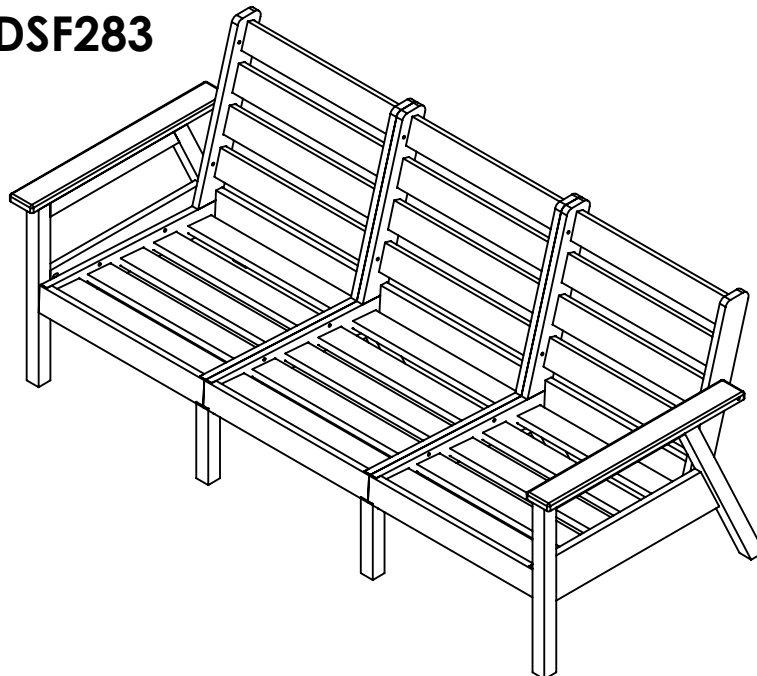
**DSF281**



**DSF282**



**DSF283**



# C.R. PLASTIC PRODUCTS

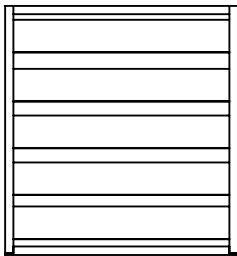
*we create* sustainable outdoor living

## DSF 281

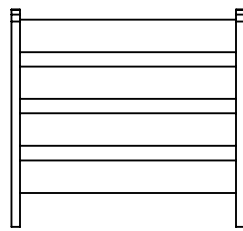
## DSF 285

(expansion kit for DSF282 & DSF283 only)

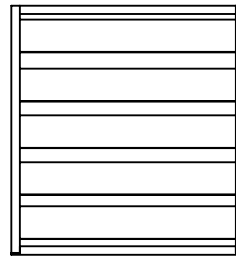
Ⓐ x1



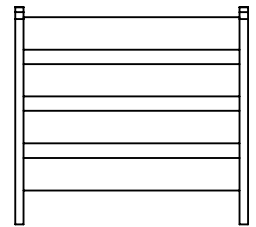
Ⓑ x1



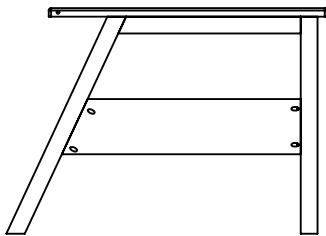
Ⓐ x1



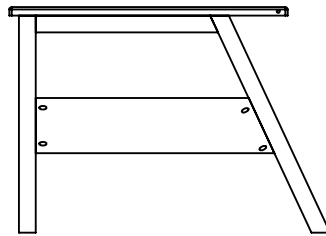
Ⓑ x1



Ⓒ x1



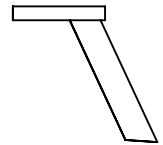
Ⓓ x1



Ⓔ x1



Ⓕ x1



1 1/2" (38mm) SCREW



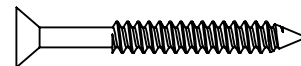
Ⓒ x12

2 1/2" (64mm) SCREW



Ⓓ x2

1 1/2" (38mm) SCREW



Ⓒ x22

2 1/2" (64mm) SCREW



Ⓓ x2



#2



PLEASE USE 6" DRIVER BITS



800.490.1283

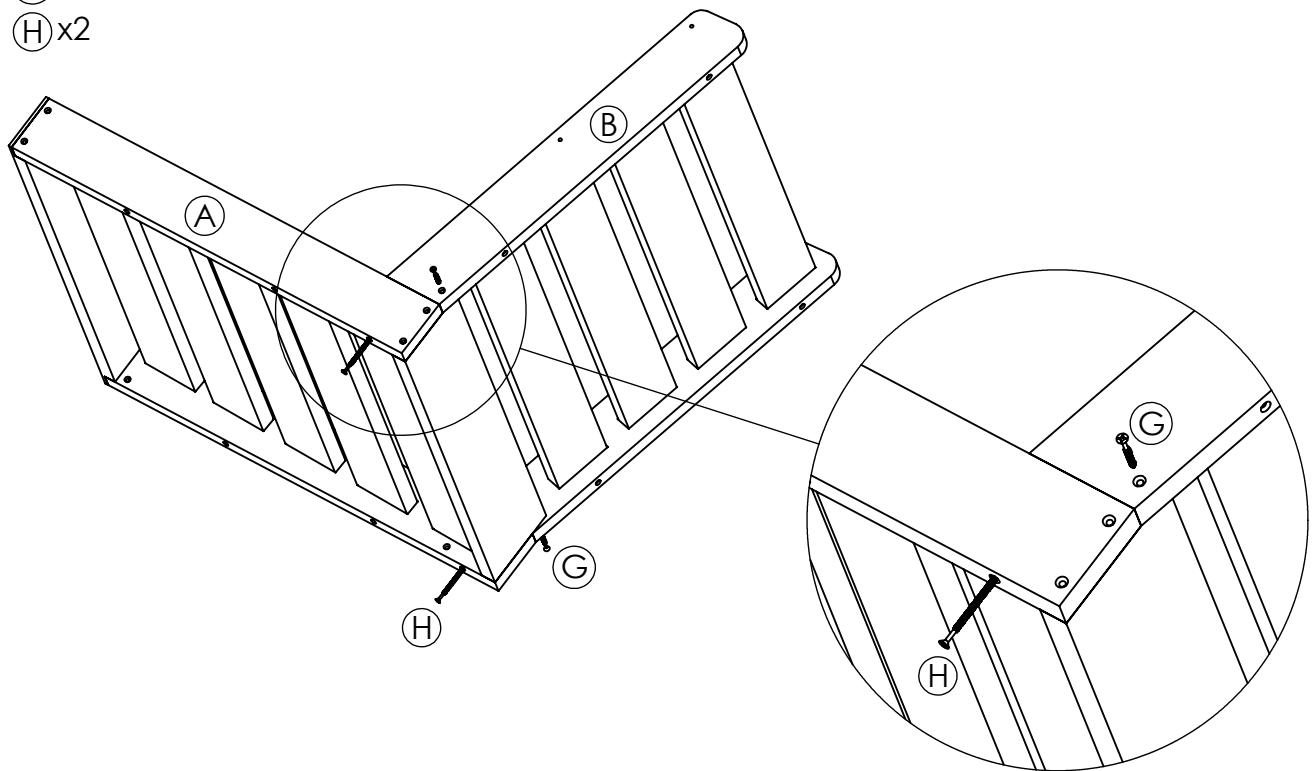


crpproducts.com

FAX 519.271.8544

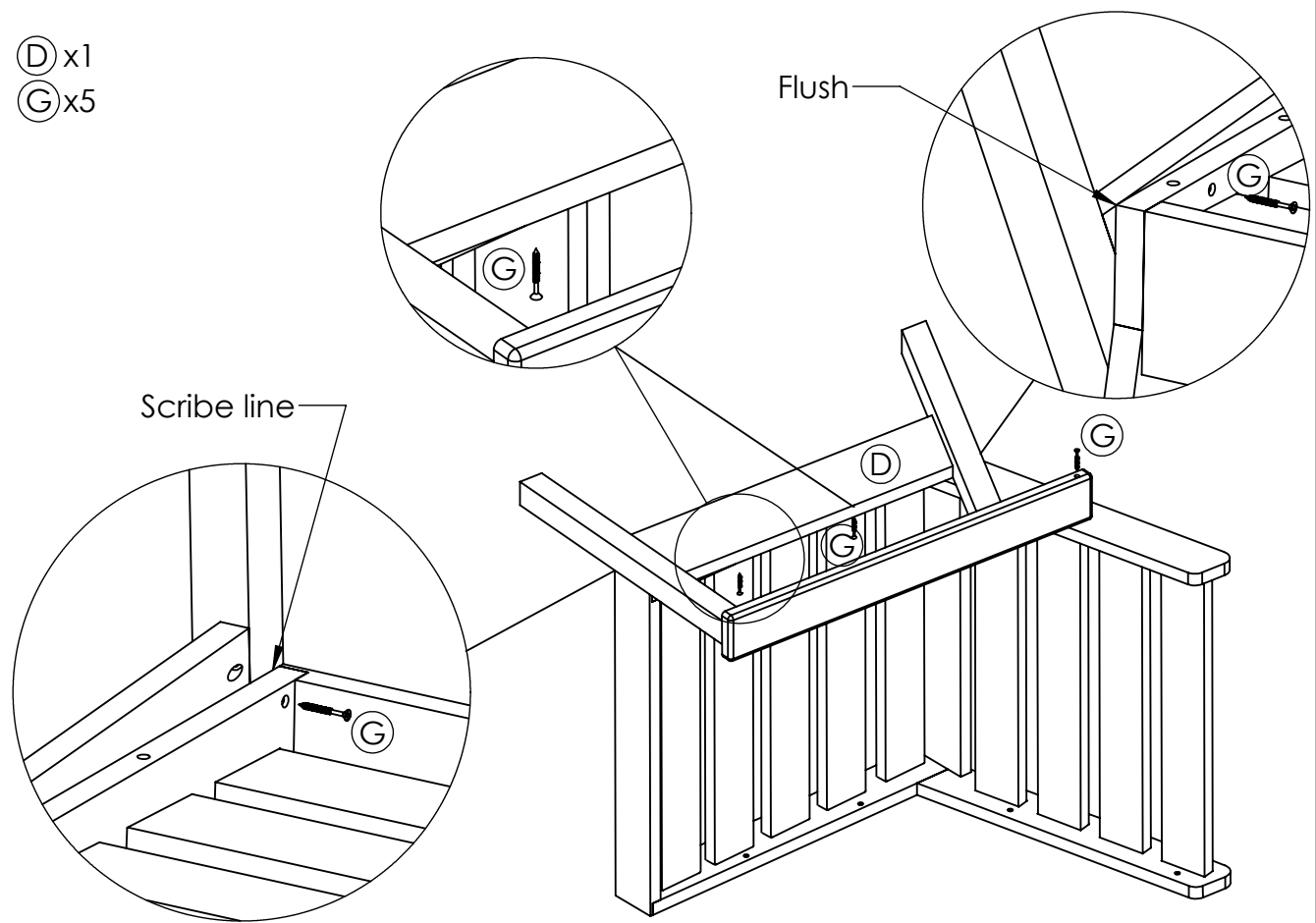
1

- (A) x1
- (B) x1
- (G) x2
- (H) x2



2

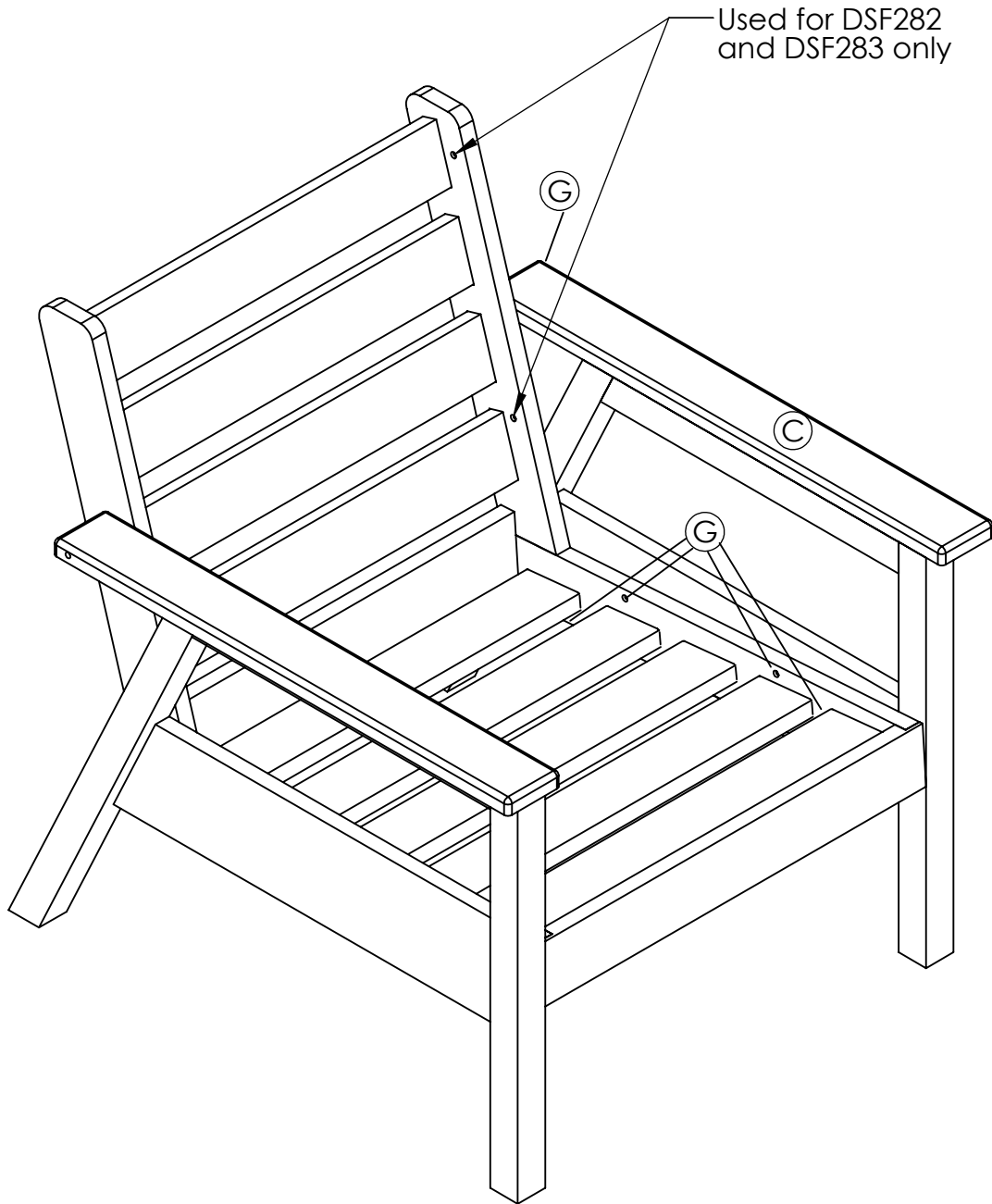
- (D) x1
- (G) x5



3

Ⓢ x1  
Ⓜ x5

Repeat step 2 to attach the other arm

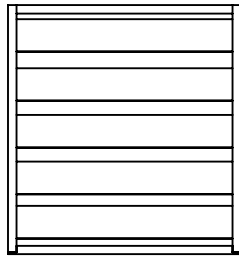


# C.R. PLASTIC PRODUCTS

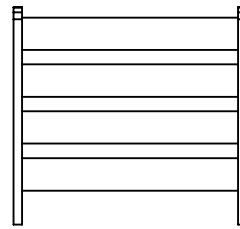
*we create* sustainable outdoor living

## DSF 282 (DSF281 + DSF285)

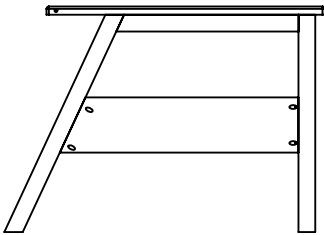
Ⓐ x2



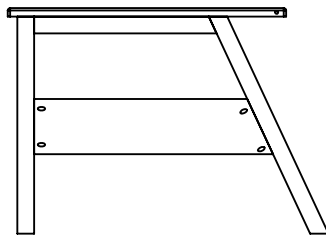
Ⓑ x2



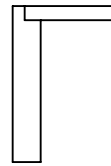
Ⓒ x1



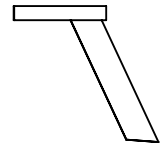
Ⓓ x1



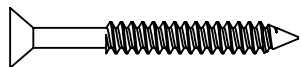
Ⓔ x1



Ⓕ x1

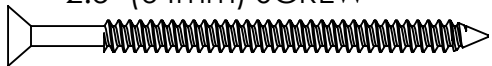


1 1/2" (38mm) SCREW



Ⓒ 12 + 22 = 34

2.5" (64mm) SCREW



Ⓓ 2 + 2 = 4



PLEASE USE 6" DRIVER BITS

#2



800.490.1283



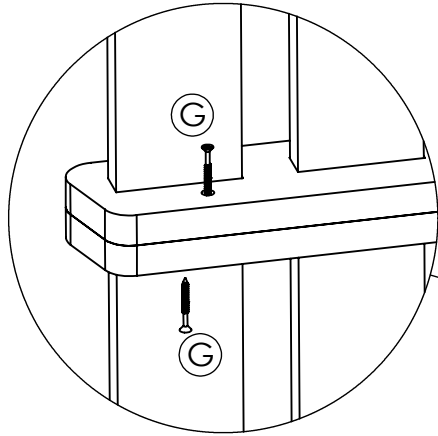
crpproducts.com

FAX 519.271.8544

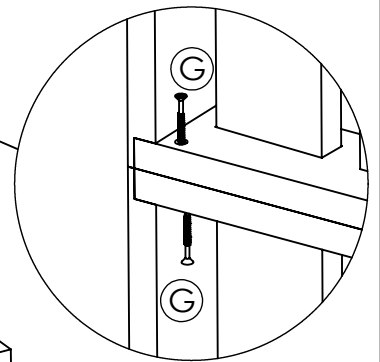
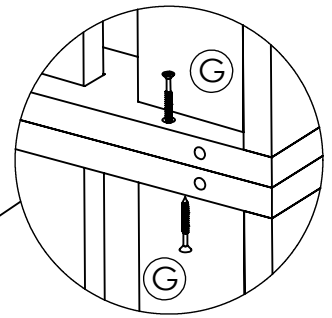
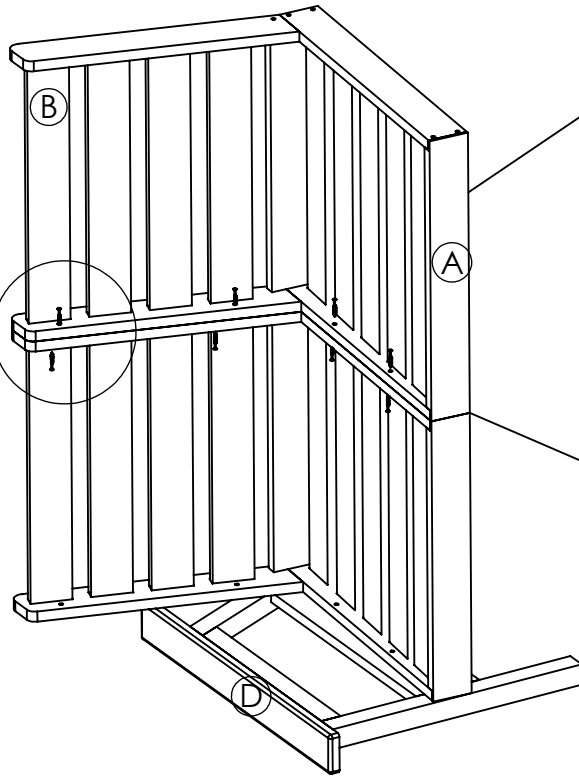
1

- (A) x2
- (D) x1
- (B) x2
- (G) x21
- (H) x4

Repeat DSF281 step 1 to build 2 seats and backs  
Repeat DSF281 step 2 to attach 1 arm



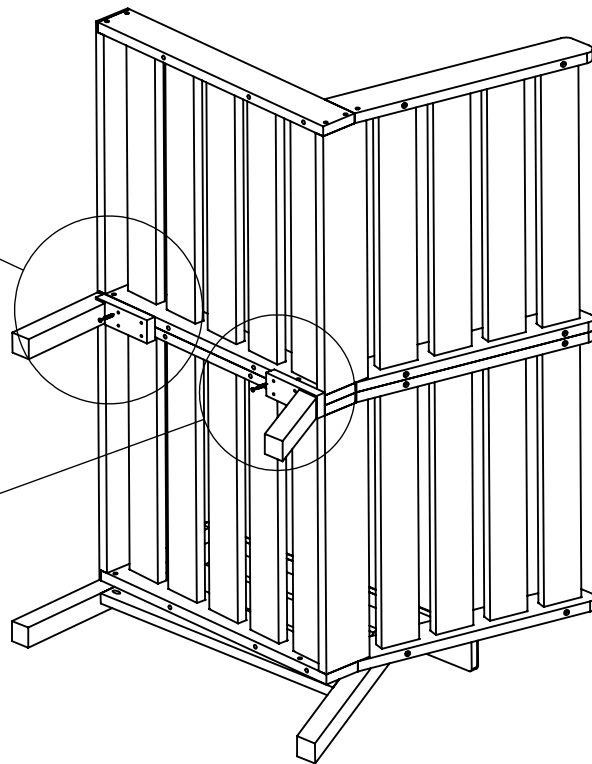
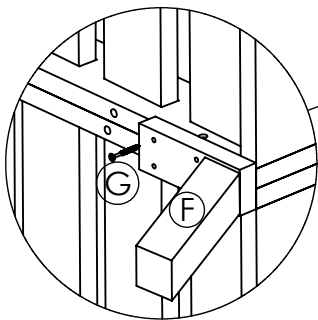
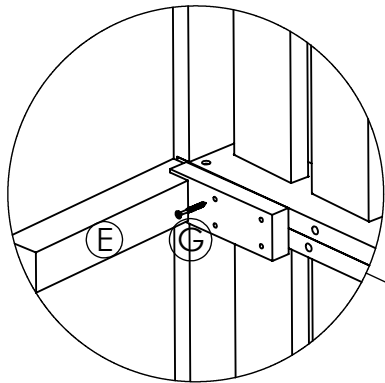
FRONT



BACK

2

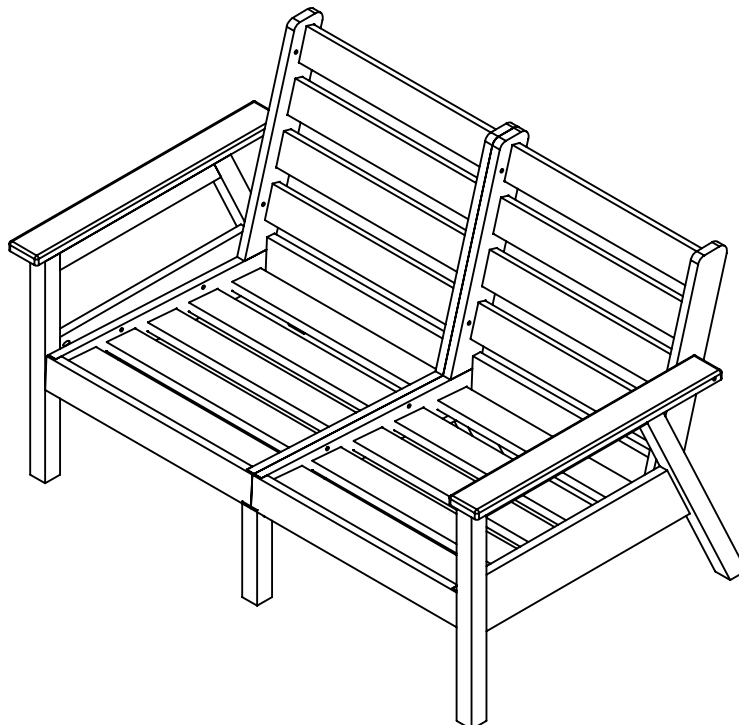
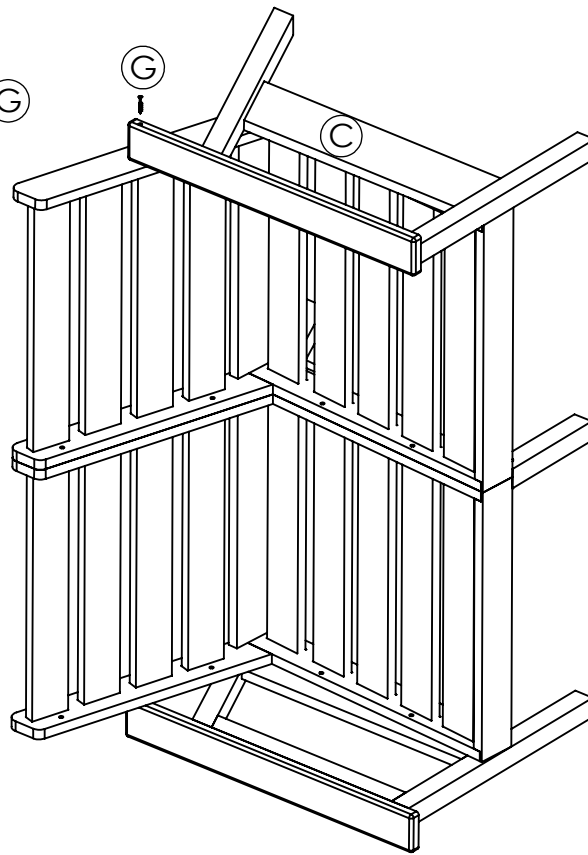
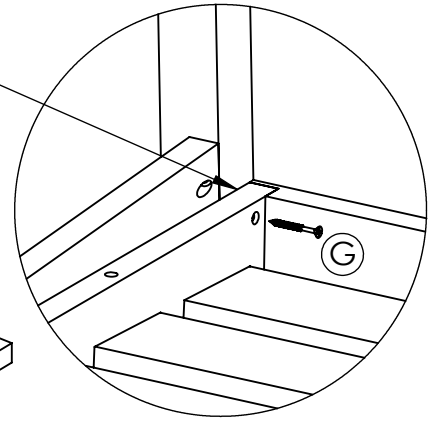
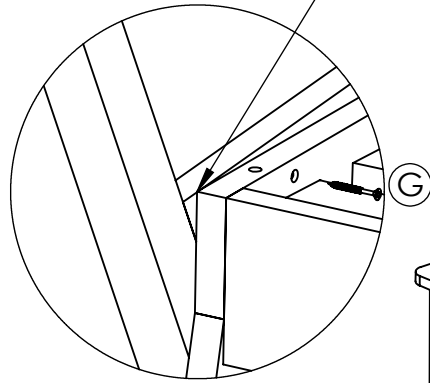
- (E) x1
- (F) x1
- (G) x8



**3** © x1  
© x5

Flush

Scribe line

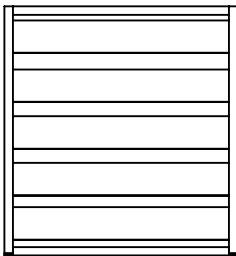


# C.R. PLASTIC PRODUCTS

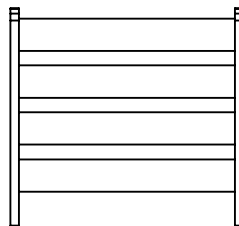
*we create* sustainable outdoor living

## DSF 283 (DSF281 + 2 X DSF285)

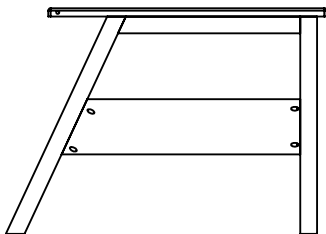
Ⓐ x3



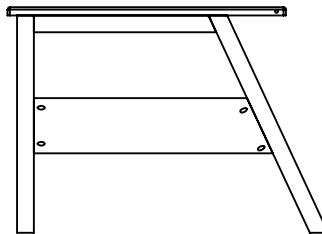
Ⓑ x3



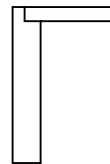
Ⓒ x1



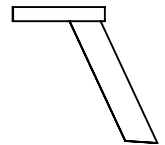
Ⓓ x1



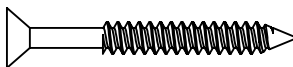
Ⓔ x2



Ⓕ x2



1 1/2" (38mm) SCREW



Ⓖ

12 + 22 + 22 = 56

2 1/2" (64.5mm) SCREW



Ⓗ

2 + 2 + 2 = 6



#2



PLEASE USE 6" DRIVER BITS



800.490.1283



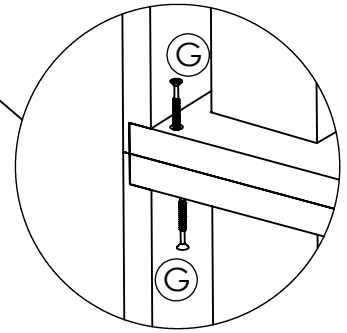
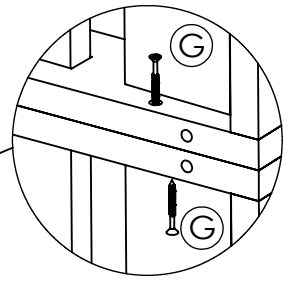
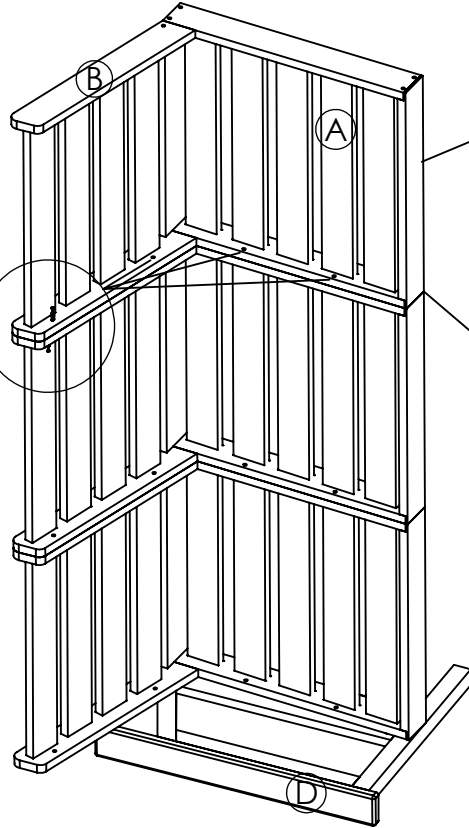
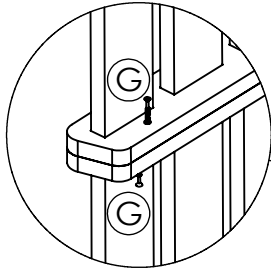
crpproducts.com

FAX 519.271.8544



- 1** (A)x3  
 (B)x3  
 (D)x1  
 (G)x35  
 (H)x6

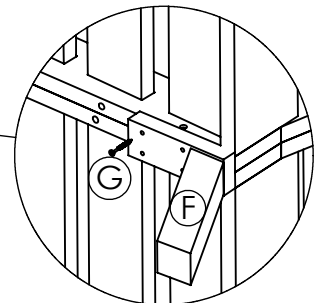
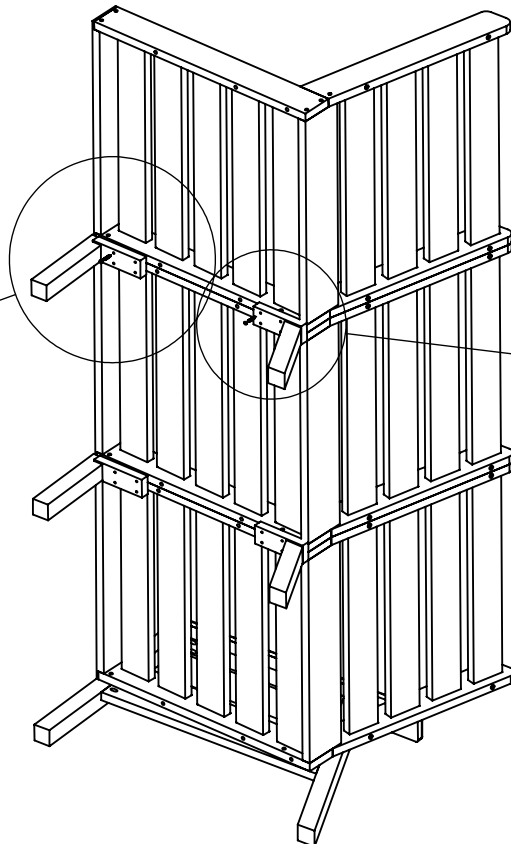
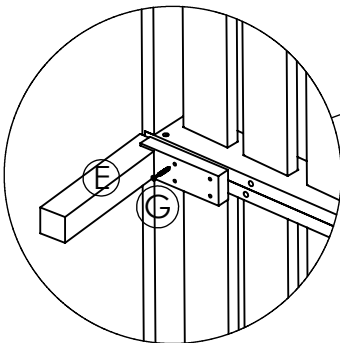
Repeat DSF281 step 1 to build 3 seats and backs  
 Repeat DSF281 step 2 to attach 1 arm



**FRONT**

**BACK**

- 2** (E)x2  
 (F)x2  
 (G)x16



3 ©x1  
Gx5

