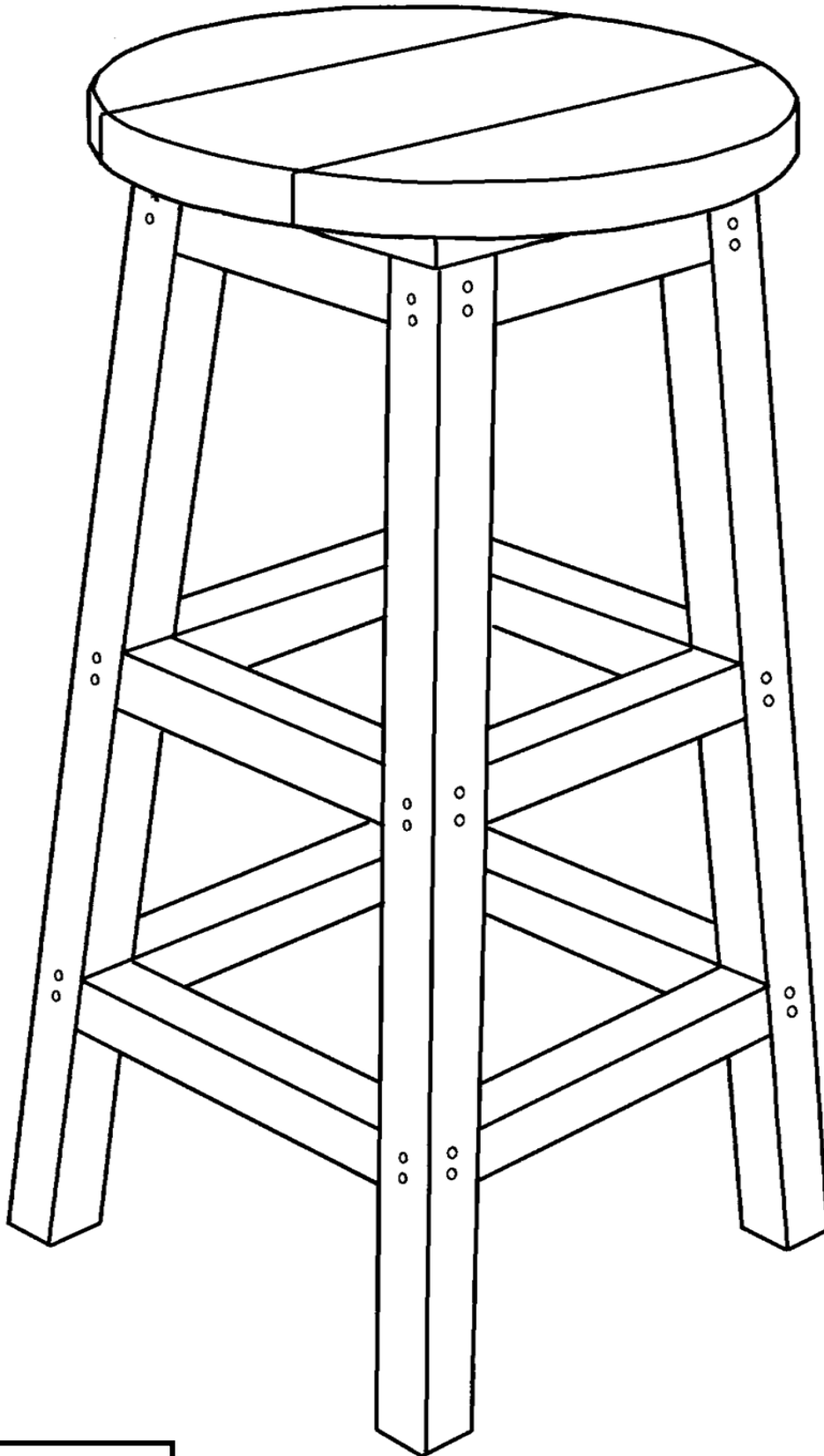




# Generation Line

BY C.R. PLASTIC PRODUCTS INC

## C21

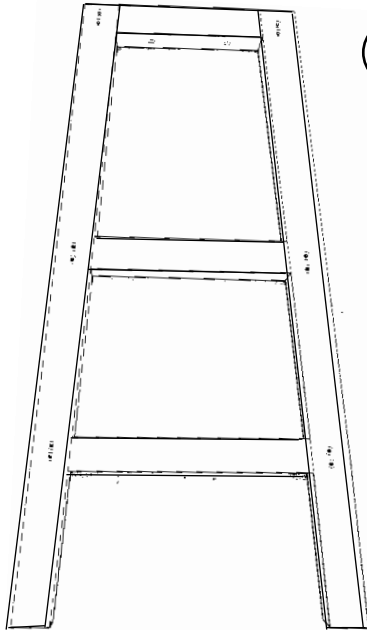




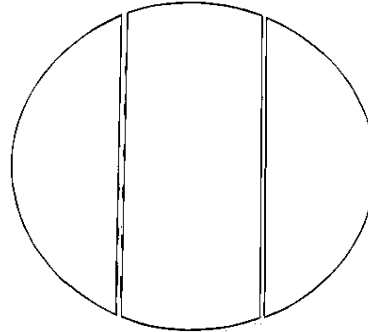
# Generation Line

BY C.R. PLASTIC PRODUCTS INC

**C21**

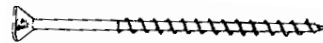


**(A)** X 2



**(E)** X 1

2 1/2" / 64 mm



**(F)** X 28

6" / 152mm

**(B)** X 2

7 7/8" / 200mm

**(C)** X 2

9 3/8" / 238mm

**(D)** X 2



#2



800.490.1283

**FAX**

519.271.8544

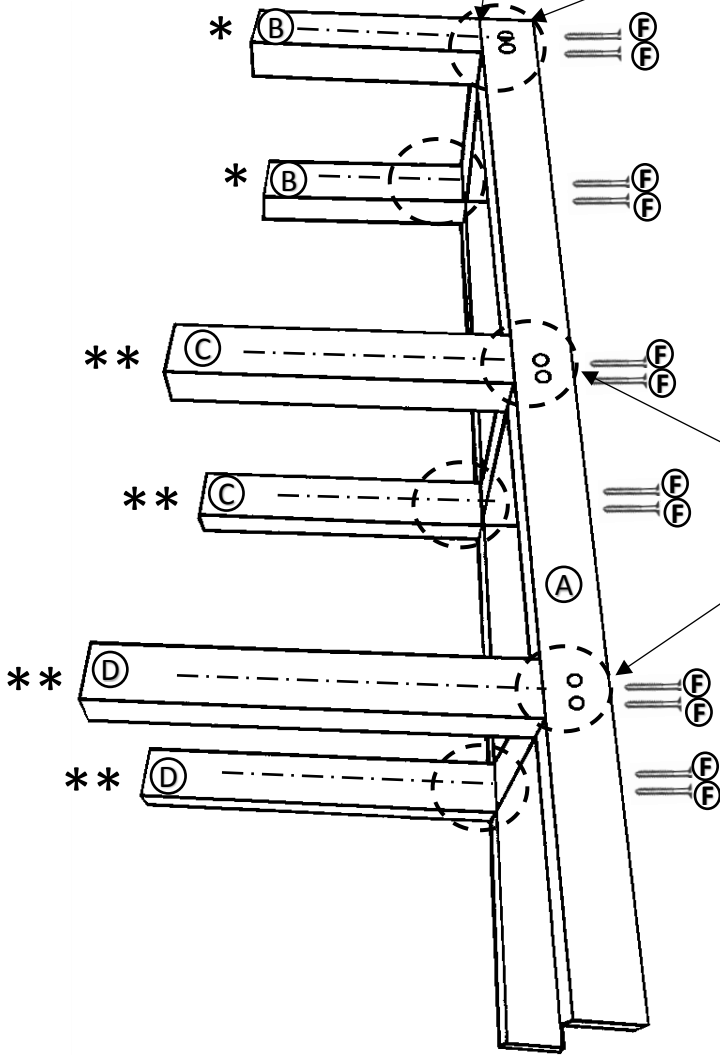
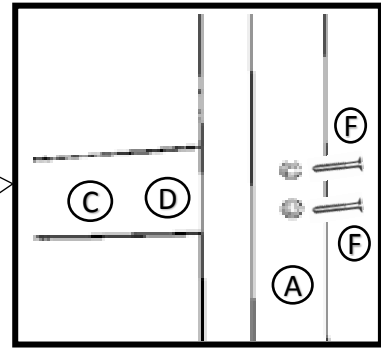
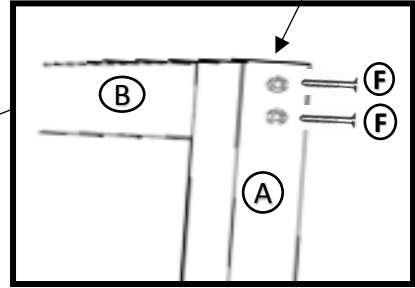
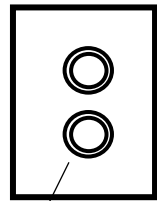
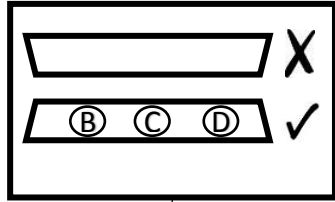


crpproducts.com

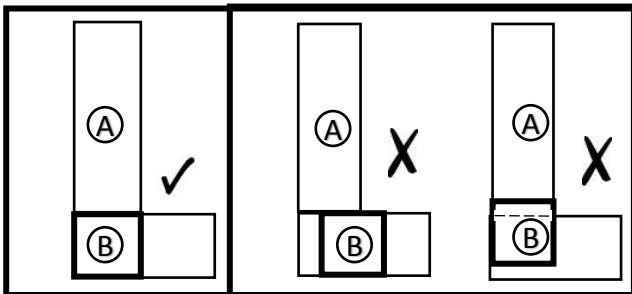
# 1

?

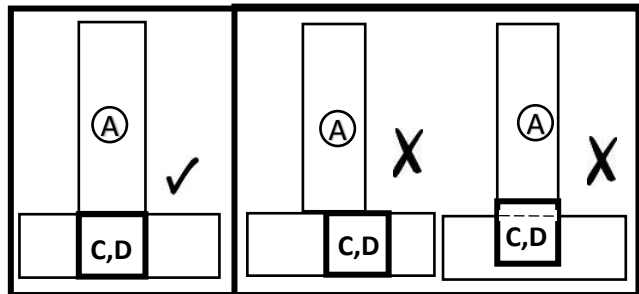
- (A) X1
- (B) X2
- (C) X2
- (D) X2
- (F) X12



\*



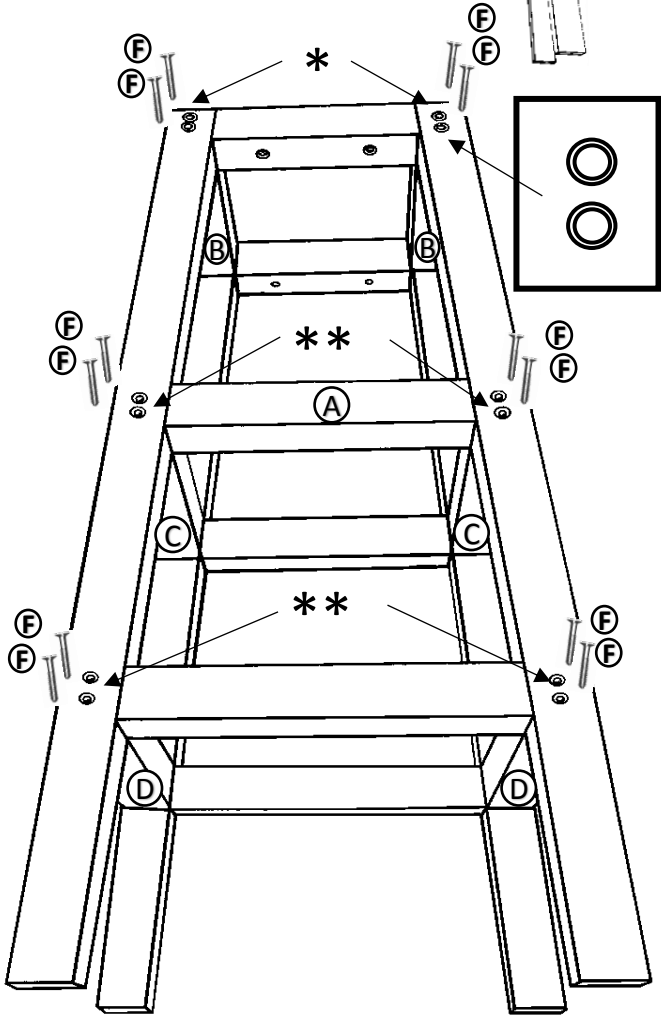
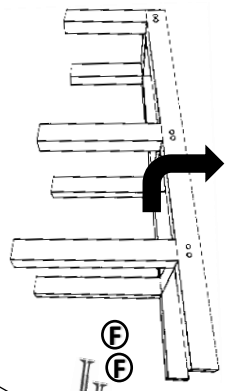
\*\*



# 2

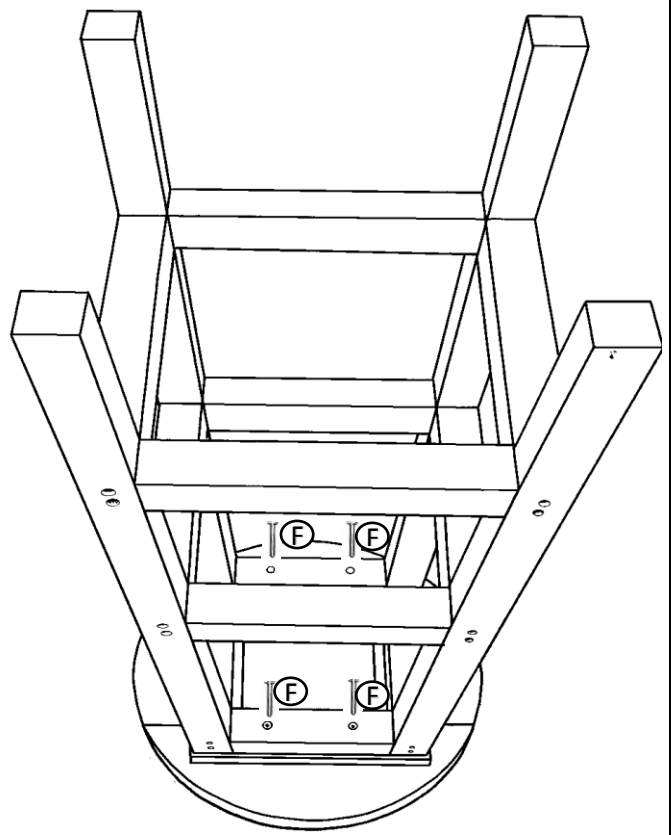
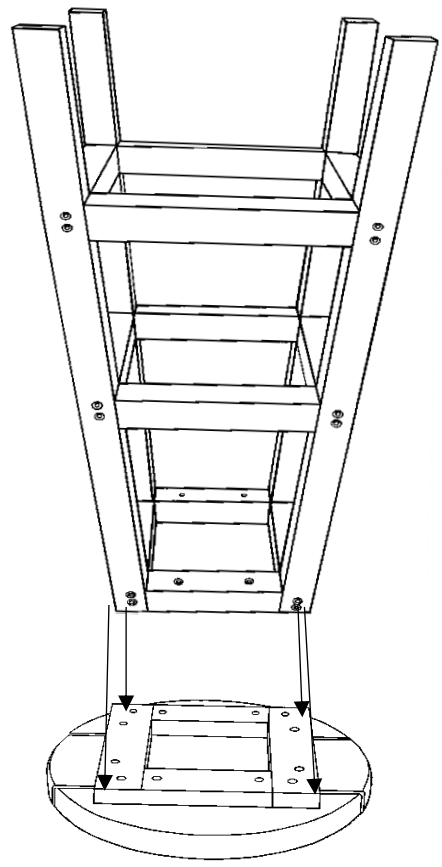
(A) X1  
(F) X12

?



# 3

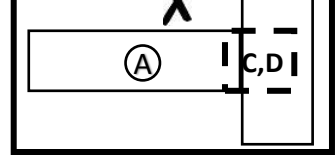
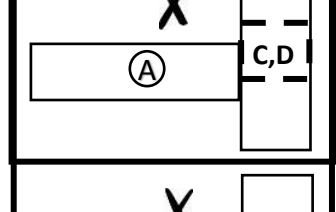
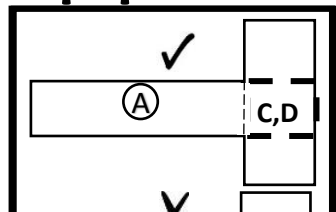
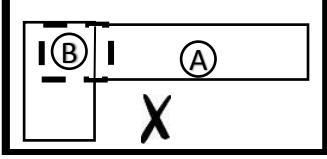
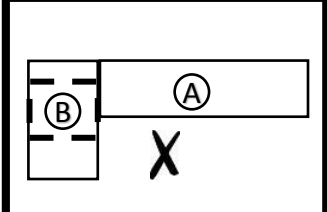
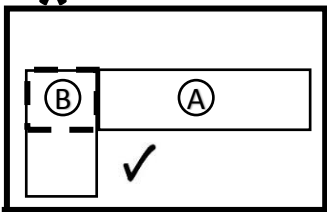
(E) X1  
(F) X4



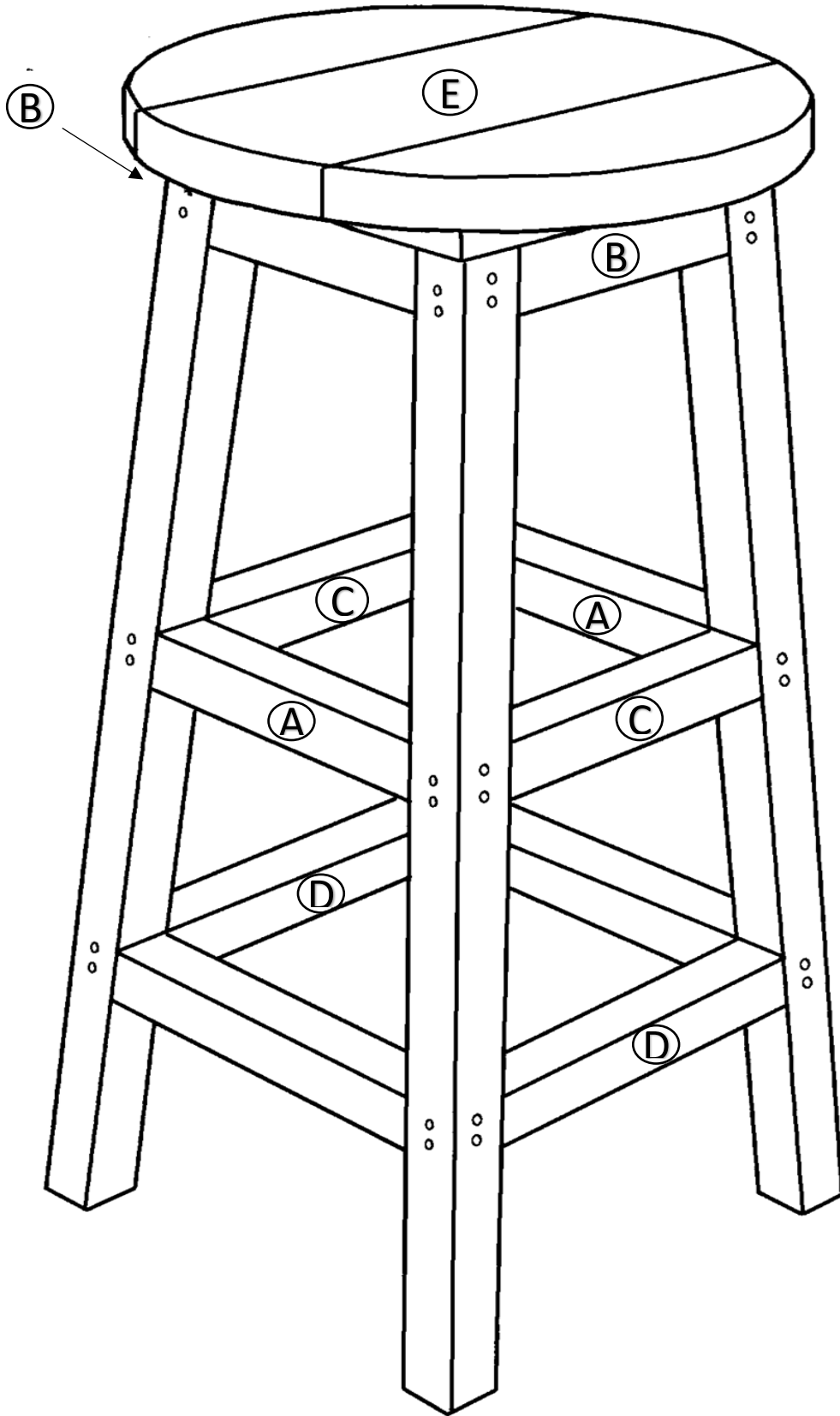
?

\*

\*\*



C21



?