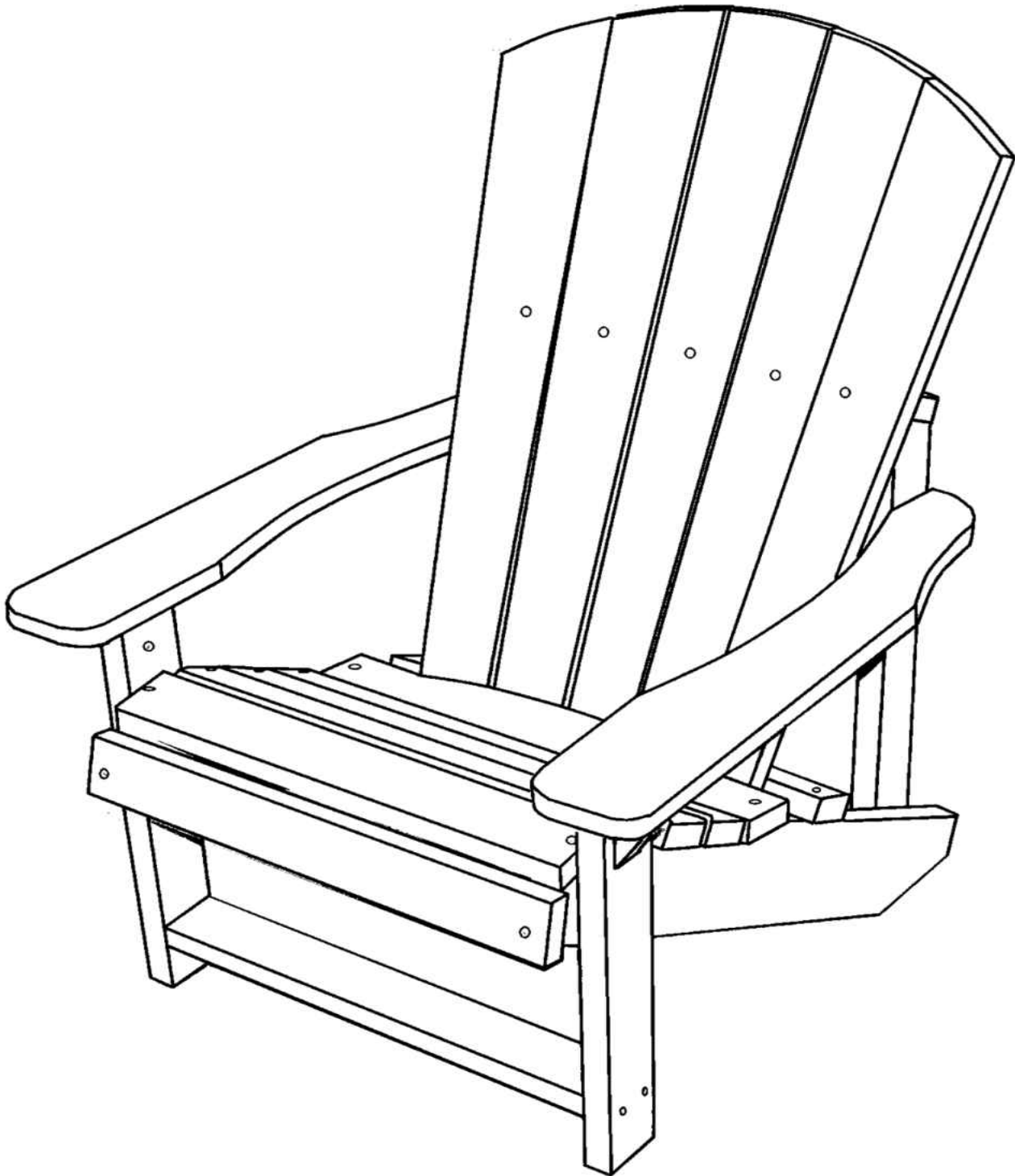




Generation Line

BY C.R. PLASTIC PRODUCTS INC

C08

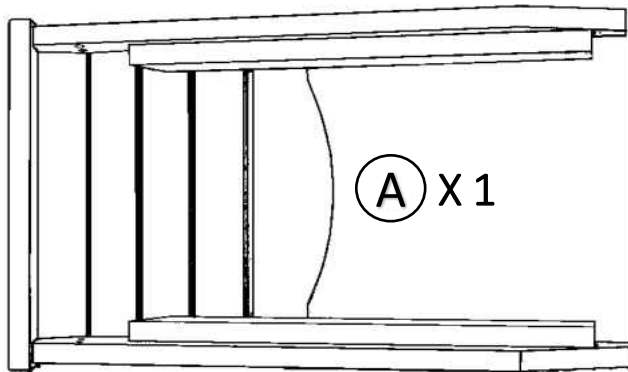




Generation Line

BY C.R. PLASTIC PRODUCTS INC

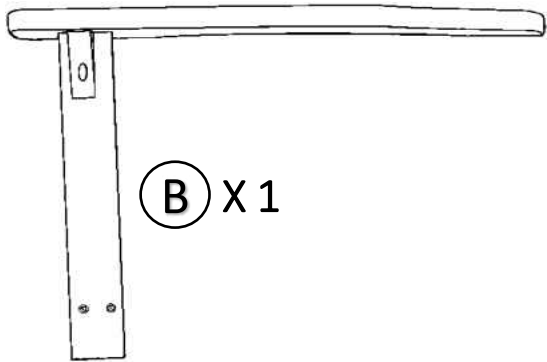
C08



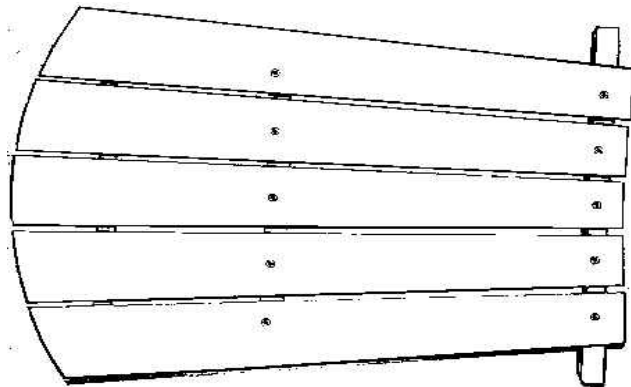
(A) X1



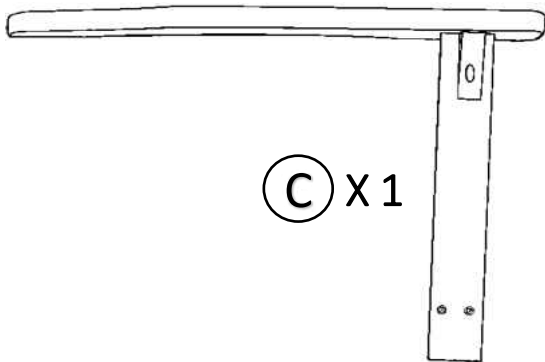
(D) X1



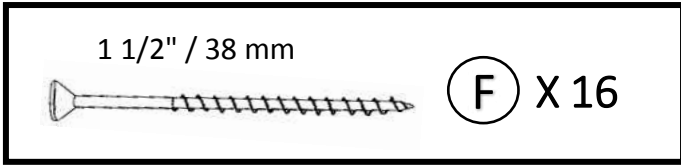
(B) X1



(E) X1



(C) X1



1 1/2" / 38 mm

(F) X16



#2



800.490.1283

FAX

519.271.8544

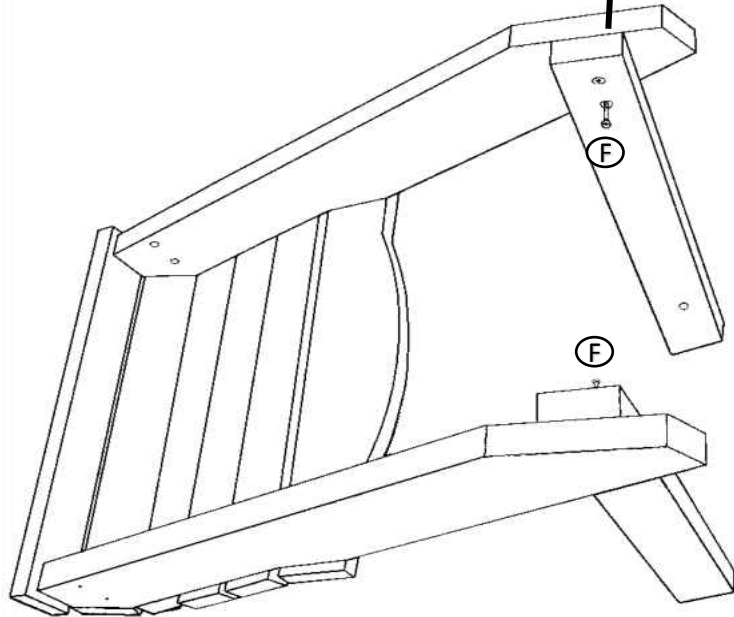
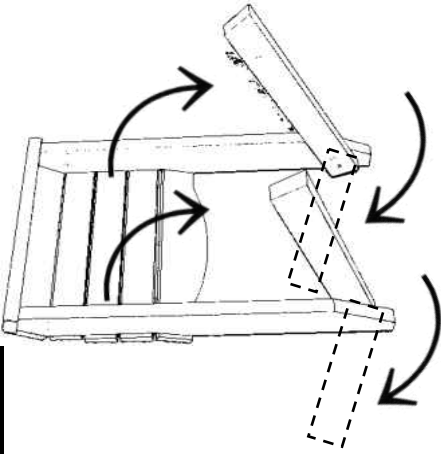
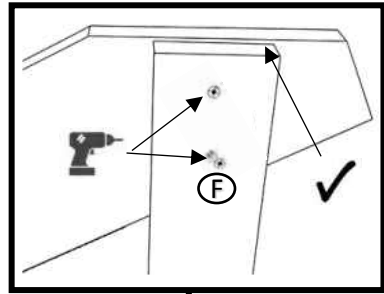
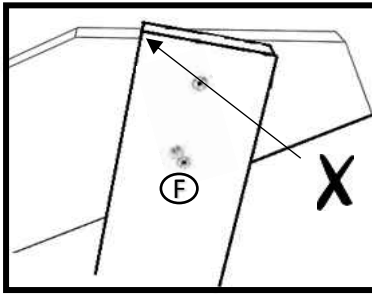


crpproducts.com

1

(A) X1

(F) X2

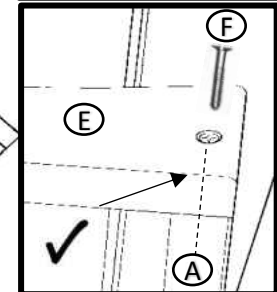
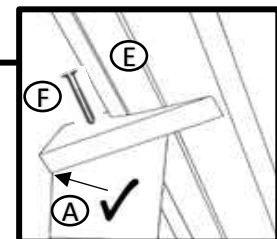
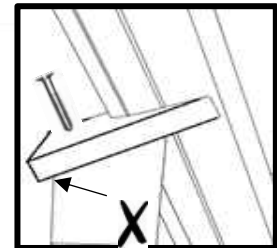
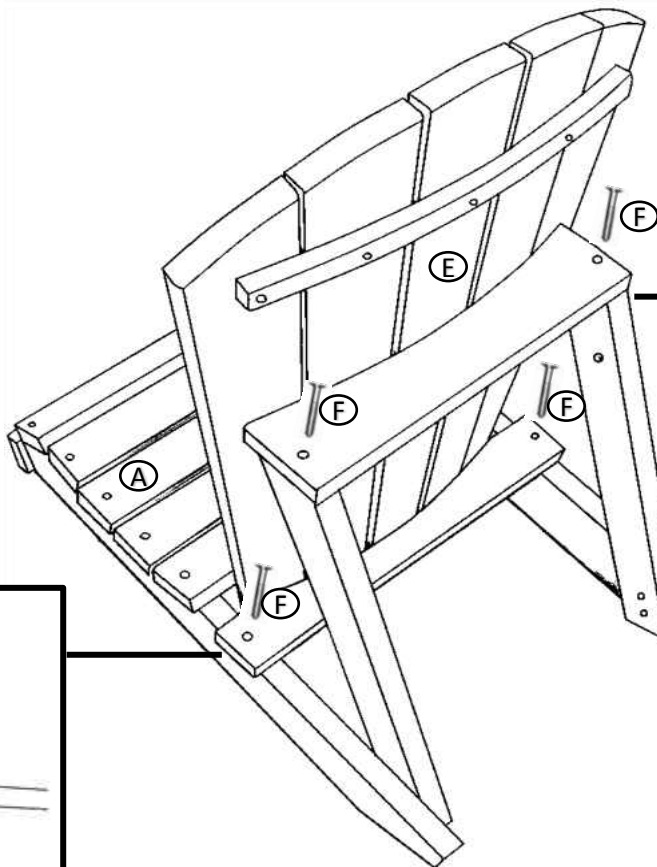
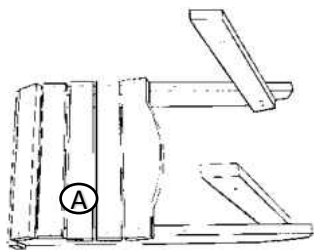


?

2

(E) X1

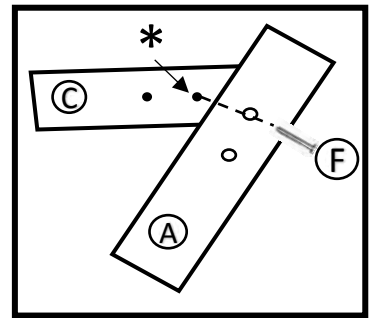
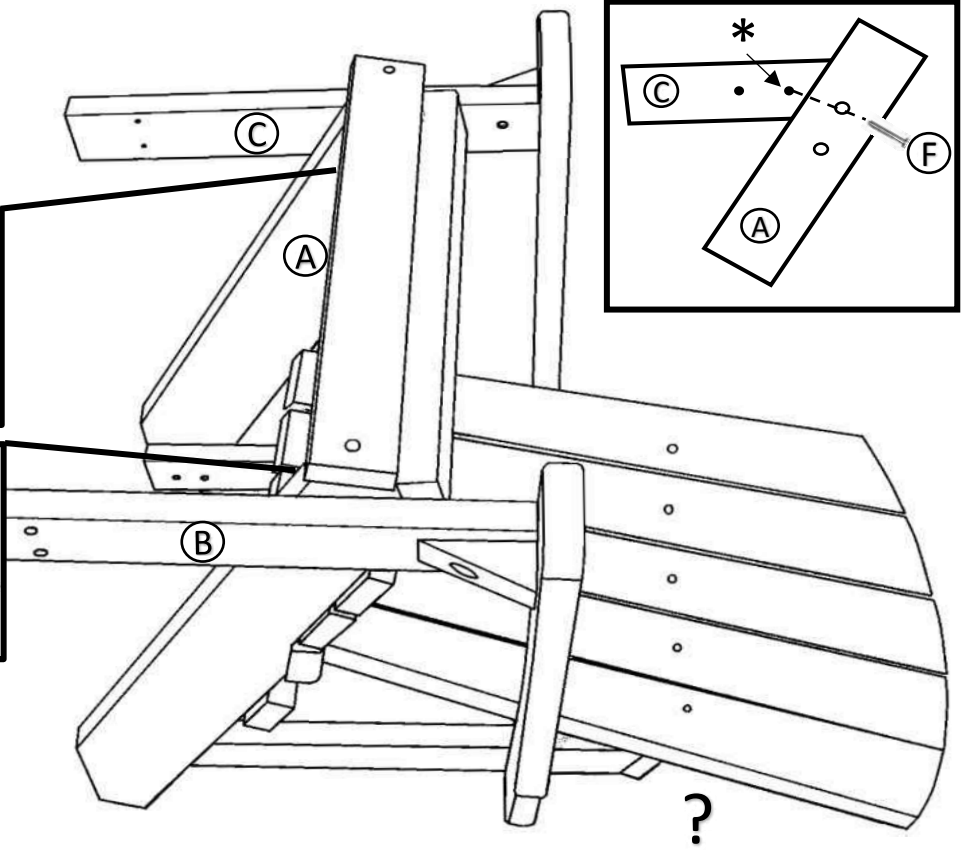
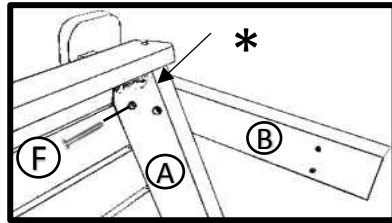
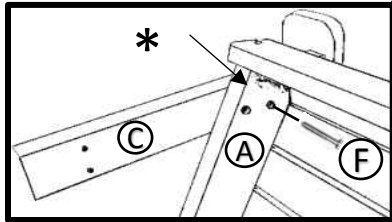
(F) X4



?

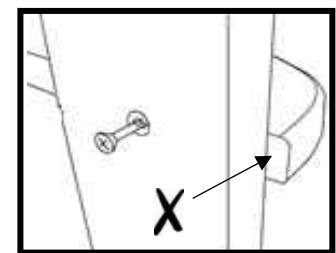
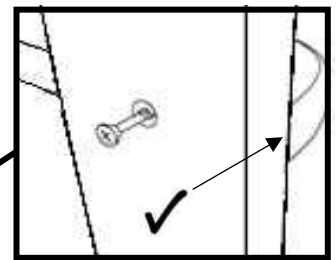
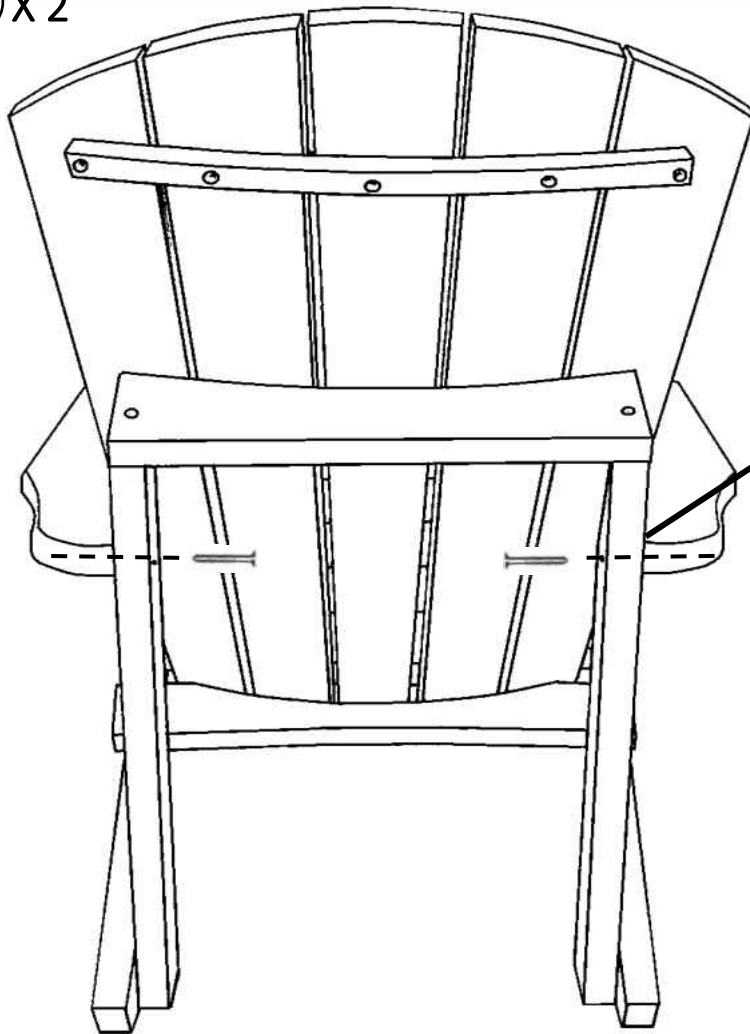
3

- (B) X1
- (C) X1
- (F) X2



4

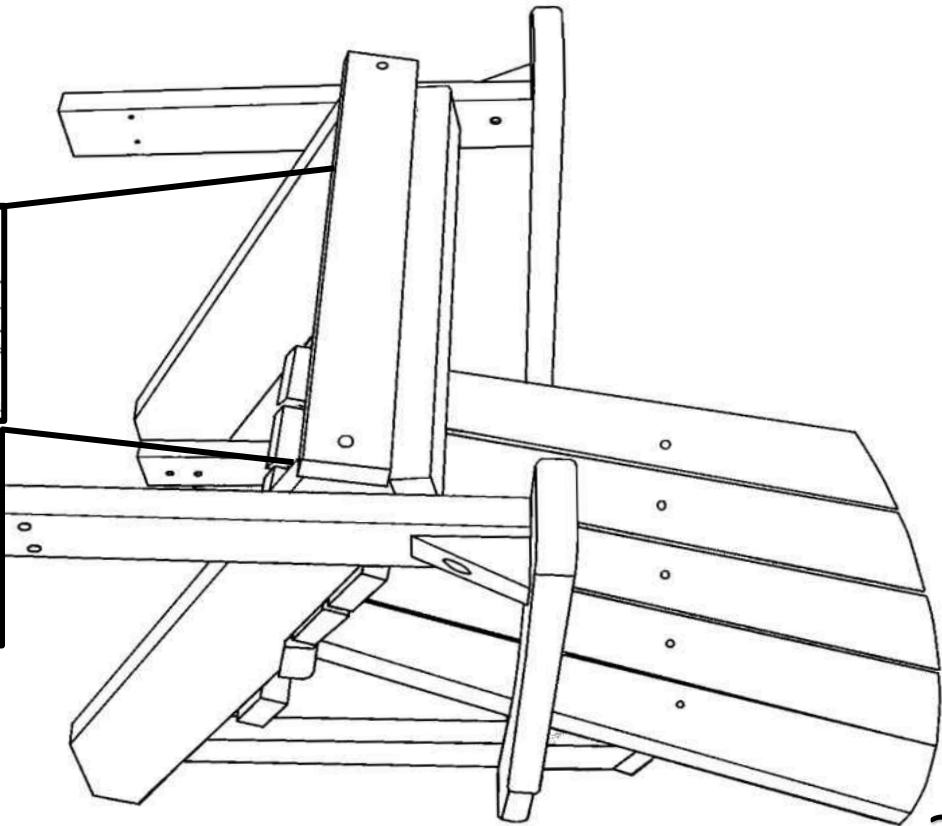
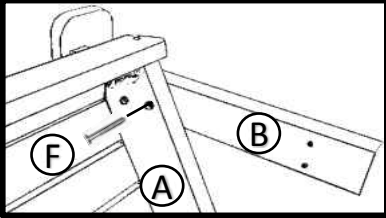
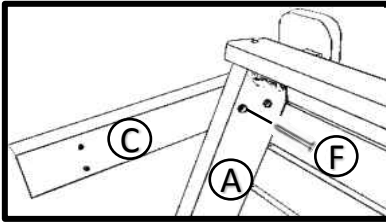
- (F) X2



?

5

(F) X2

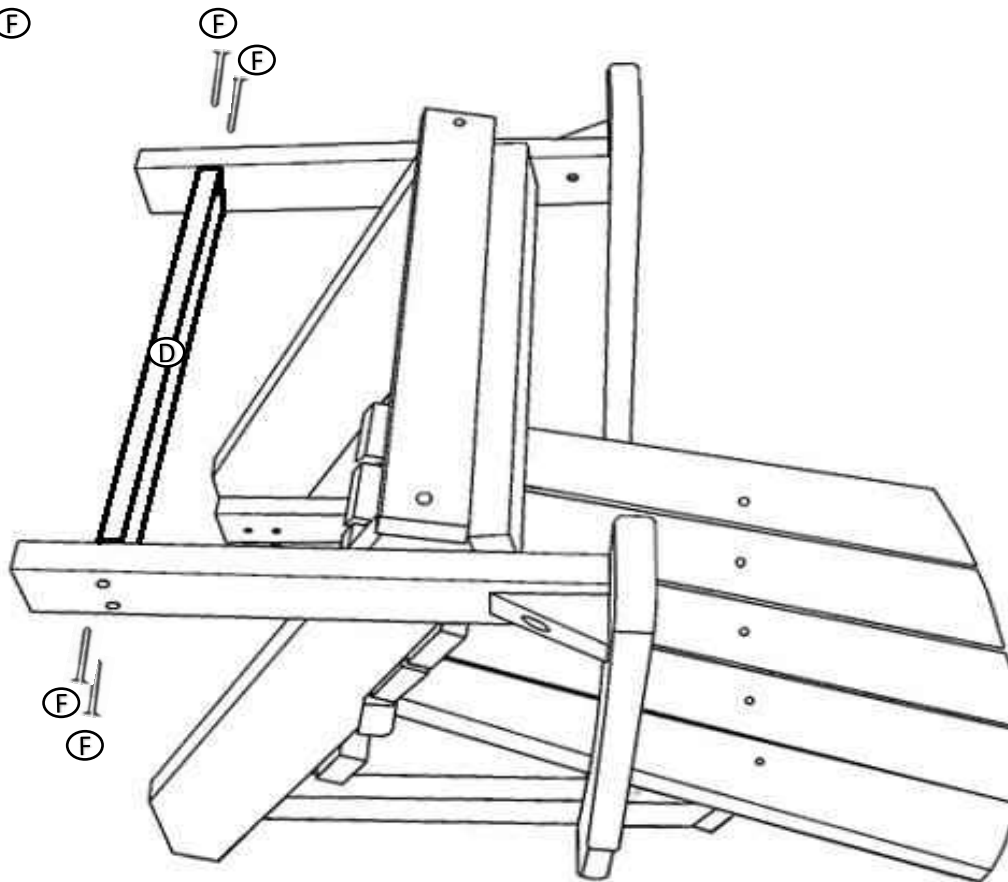
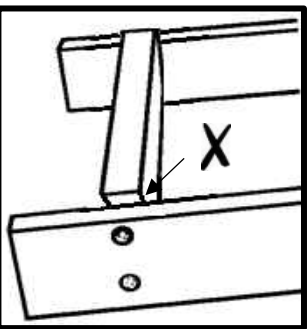
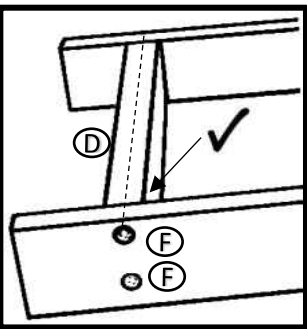


?

6

(D) X1 (F)

(F) X4



?

C08

