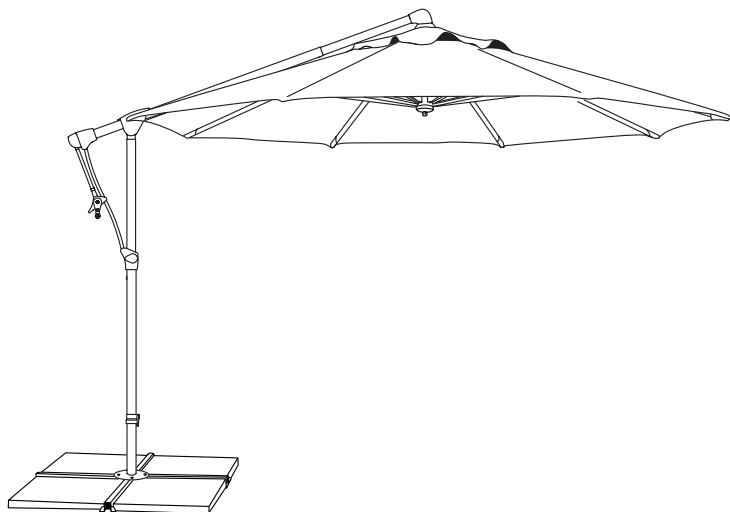




Assembly and Operation Guide



AG19 CANTILEVER



AG19 *10' octagon*

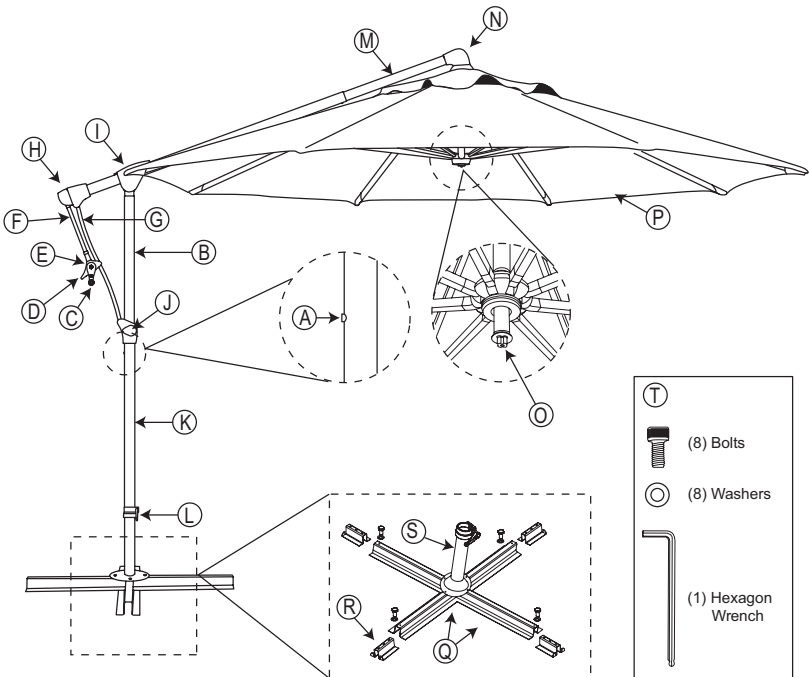


AG19SQ *8.5' square*

Thank you for purchasing Treasure Garden's AG19 Cantilever.
 Please remove all contents from the package, inspect and review checklist.
Some parts may be included in the styrofoam packaging.
Do not discard any packaging or box until assembly is complete.

CHECKLIST

A - (1) Spring Lock	H - (1) Tilt Degree Scale	O - (1) Light Adapter (light sold separately)
B - (1) Top Pole	I - (1) Shoulder	P - (1) Canopy
C - (1) Crank Handle	J - (1) Release Knob	Q - (2) Cross Bars
D - (1) Operating Handle	K - (1) Bottom Pole	R - (4) Cross Bar Extenders
E - (1) Crank Case	L - (1) Base Stem Clamp	S - (1) Bottom Pole Stem
F - (1) Steering Rod	M - (1) Cantilever Arm	T - (1) Hardware Assembly
G - (1) Support Strut	N - (1) Hinge	



REQUIRED FOR ASSEMBLY:

- One (1) 1/2" socket wrench or adjustable wrench.
- Four (4) 45 lb. weights - square stones or concrete weights. (180 lb. total weight needed for support - **weights not included**) Stones & weights, standard sizes can be used up to 20" L x 20" W x 1.5" H.

NOTE: Using the cross bar stand without weights will damage your umbrella and may cause injury.

STEP 1

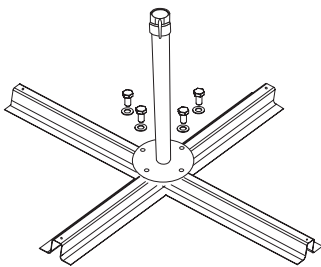
ASSEMBLE UNIVERSAL CROSS BAR STAND

IMPORTANT:

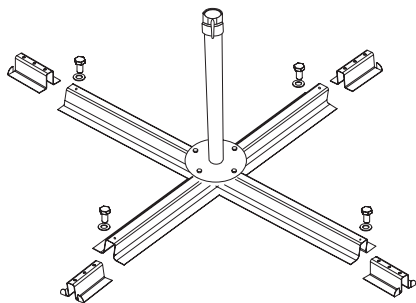
Prior to assembly it is important to decide on the location of the umbrella.

- Allow ample height to avoid damage to your umbrella during assembly and usage.
- Choose a location that is level and sturdy.
- Avoid any sloping of soft ground.
- Consider a location that will maximize the umbrella's 360° rotating function. Placing the umbrella between two entertaining areas is ideal.

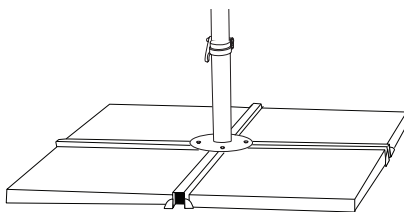
Set cross bars in a cross position and attach bottom pole stem to cross bar stand with (4) supplied bolts and (4) washers (Fig. 1). Adjust universal cross bar stand to accommodate your 16", 18" or 20" square stone or concrete weights by removing the preattached (4) bolts and (4) washers from cross bar extenders to desired length (Fig. 2). Reattach (4) bolts and (4) washers and tighten. Secure stand with (4) square stones, concrete weights or Treasure Garden base weights (all weights sold separately) (Fig 3).



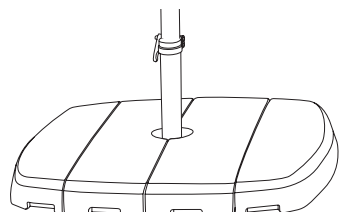
(Fig. 1)



(Fig. 2)



Stone / Pavers
(sold separately)



BF10 Resin Base Weights
(sold separately)

(Fig. 3)

IMPORTANT: Cross bar stand will not support umbrella without proper weights. Using the stand without weights will damage your umbrella.

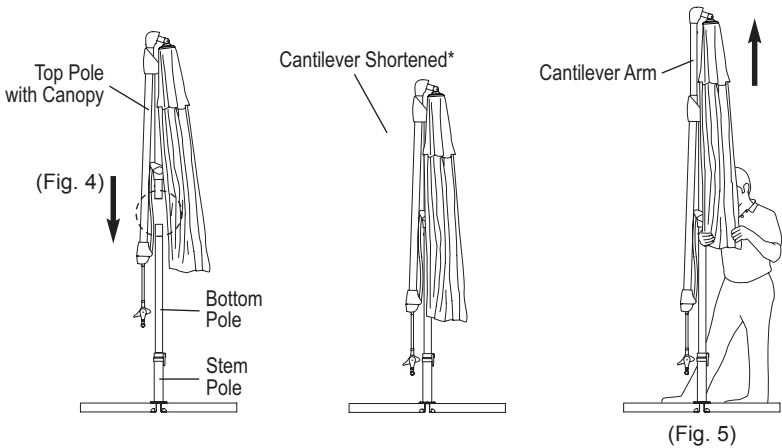
STEP 2 ASSEMBLE FRAME

Insert the top pole with canopy into the bottom pole until spring locks (Fig. 4). Hold the canopy closed and slowly lift cantilever upwards until arm is fully extended and spring locks into place (Fig. 5). Screw the crank handle clockwise into the crank case.

***NOTE:** Shortening of the cantilever is merely for packaging purposes or storage.

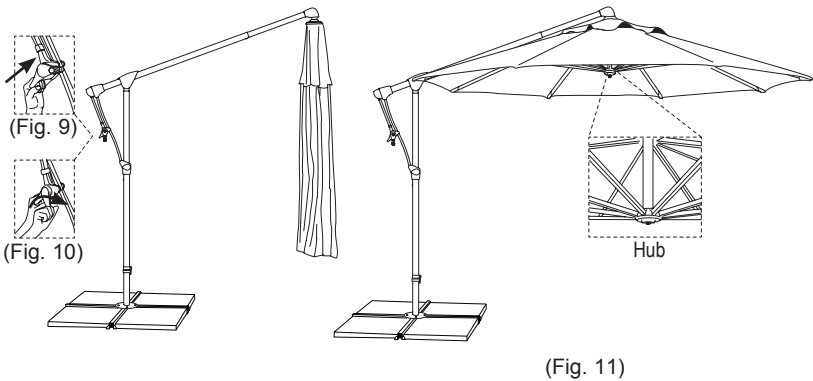
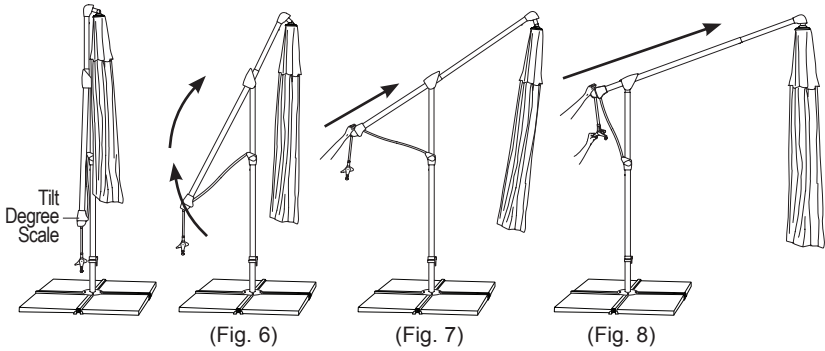
IMPORTANT: (If cantilever arm does not fully extend, cord maybe coiled too tightly).

Two persons are needed for the following action. While the first person slowly lifts the cantilever up, the second person turns the crank handle counter-clockwise, releasing more cord to allow the cantilever arm to raise until spring locks into place.



STEP 3 **OPENING UMBRELLA**

Hold the tilt degree scale on the cantilever and lift it up (Fig. 6) and outward (Fig. 7) until the shoulder is reached and the spring lock button locks into place (Fig. 8). Secure operating handle to the umbrella by attaching the crank case to the support strut (Fig. 9). Turn the crank (Fig. 10) clockwise until the umbrella is fully opened and the hub is at the top most position (Fig. 11).



STEP 4

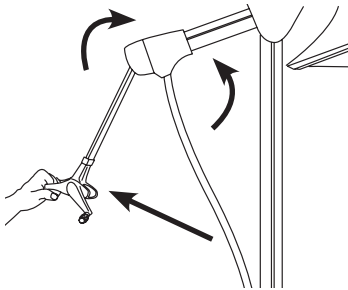
TILTING UMBRELLA

IMPORTANT: PRIOR TO USING TILT FEATURE.

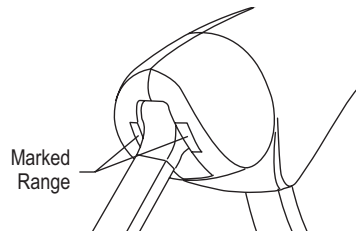
To avoid personal injury or damage to the umbrella, make sure the area behind you is clear and free from any furniture or structure.

Position yourself behind umbrella. Pull the operating handle from the support strut (Fig. 12). Pull the steering rod further away from the support strut (to a 45° angle) until the steering rod is in the **marked range** (Fig. 13). While still in the marked range, rotate the steering rod to the left or right (Fig. 14), to the angle you wish to tilt. *If you wish to rotate the canopy 15° clockwise, then rotate the steering rod 15° counter-clockwise.*

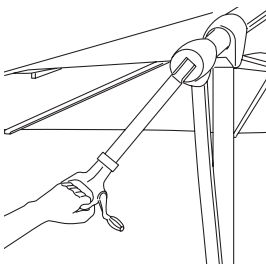
NOTE: The canopy will not tilt during this motion. Re-engage the tilt gear by pushing forward slightly (out of the marked range). While still engaged, pull (rotate) the steering rod back to the center position. The canopy will now tilt with the direction of the steering rod. Push the steering rod straight forward until the crank case locks into place on the support strut (Fig. 15). Your canopy should now be locked into its tilted position. To return canopy to its horizontal position, pull the operating handle slightly away from the support strut, but NOT into the marked range. Rotate the canopy back to horizontal position, then pull the steering rod into the marked (release) range; which will allow the steering rod to move freely back to the center position.



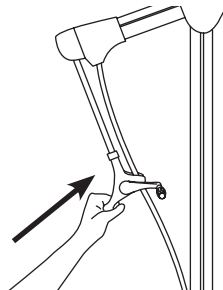
(Fig. 12)



(Fig. 13)



(Fig. 14)

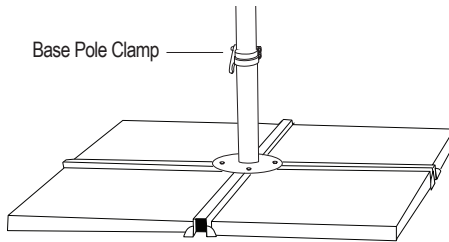


(Fig. 15)

STEP 5

ROTATING UMBRELLA

Loosen the base pole clamp by turning the clamp counter-clockwise. Rotate the umbrella to the desired position. Turn the clamp in a clockwise direction to secure into place (Fig. 16).



(Fig. 16)

STEP 6

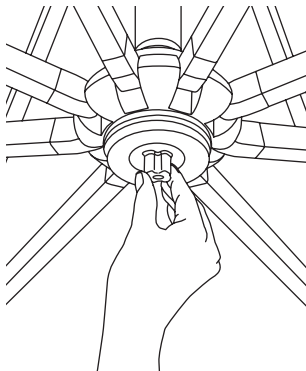
LIGHT ADAPTER FEATURE

To ATTACH Umbrella Light: *(sold separately)*

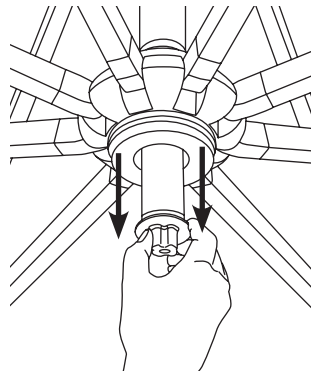
Loosen the light adapter built into the umbrella runner by turning counter-clockwise (Fig. 17). After loosening, pull down light adapter post (Fig. 18) to attach the umbrella light *(sold separately)*.

To REMOVE Light and CLOSE adapter:

Remove umbrella light and gently push up the light adapter post back into umbrella runner and tighten turning clockwise (Fig. 17). **NOTE:** It is not necessary to remove light to close umbrella.



(Fig. 17)

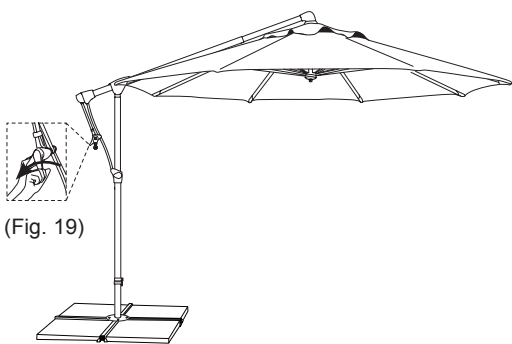


(Fig. 18)

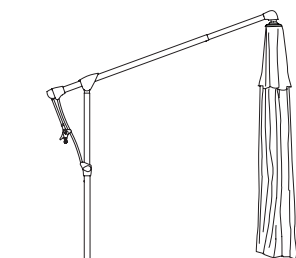
STEP**CLOSING UMBRELLA**

IMPORTANT: When closing the umbrella, the canopy must be in a horizontal position, or damage to umbrella may occur.

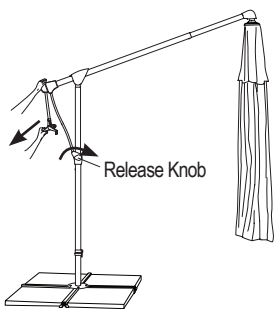
Hold the operating handle against supporting strut and turn the crank counter-clockwise (Fig. 19) until the canopy is closed (Fig. 20). Unlock the umbrella by detaching the crank case from the support strut (Fig. 21). Turn the release knob (Fig. 21) clockwise; at the same time, pull the cantilever back by holding the tilt degree scale (Fig. 22) and guide the cantilever back to the pole (Fig. 23), until fully closed (Fig. 24). **CAUTION:** Avoid pinching hands or fingers while closing the umbrella. Once umbrella is closed, tie strap around canopy and cover with a protective cover (*sold separately*).



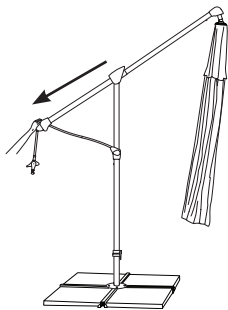
(Fig. 19)



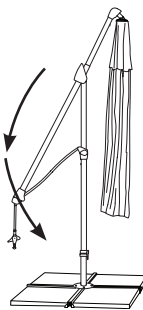
(Fig. 20)



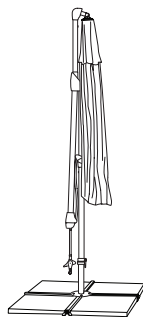
(Fig. 21)



(Fig. 22)



(Fig. 23)



(Fig. 24)

CARE AND MAINTENANCE

- When not in use, close and cover umbrella with a protective cover (not included).
- Allow a wet canopy to dry while in open position, but do not leave unattended.
- If necessary, clean the fabric with lukewarm water, mild detergent, and a sponge.
- Wipe sliding marks on the aluminum poles with a damp cloth.

Winter Storage:

- Store in a dry place.

After the Winter:

- Check the condition and function of the umbrella. Any defects must be repaired by a professional.

TO PROPERLY FOLD CANOPY:

The canopy will last longer if you fold it as it was packed and shipped. This technique is similar to the way a parachute is folded and is especially important when folding the canopy for seasonal storage or when left in the closed position for an extended period of time.

Using this technique at all times will significantly extend the life of the canopy.

- When the umbrella has been fully closed, stand in front of the canopy structure and begin the folding process by pulling out two panels opposite the cantilever pole. Pull the two panels together and roll tight into the canopy.
- Once rolled tight, pull adjacent panels out one at a time and fold to the center, alternating sides until all the panels have been pulled out from the arms and folded into the center.
- Tie string around canopy and cover umbrella with protective cover (sold separately).



SAFETY PRECAUTIONS

- To reduce risk of personal injury in which a person is injured or harmed, and/or damage to personal property, read and follow the Assembly Guide prior to assembling and operating umbrella and base.
- Close and store the umbrella in windy conditions or when a storm approaches. Never allow the umbrella to flap in the wind; this could cause personal injury, damage to personal property, damage to umbrella and/or umbrella canopy. Do not use tilting function during windy conditions.
- Keep umbrella secured to umbrella base with base weights at all times.
- Do not leave open umbrella unattended. If damage occurs, this is not covered by the warranty.
- When adjusting the umbrella, make sure that no person(s), item(s) or personal property are close to the umbrella. This is important to prevent injury or material damage.
- Do not allow children to play on or with umbrella or umbrella base weights.
- When adjusting or assembling the umbrella or umbrella base weights, make sure fingers, toes or any other parts of the body are clear from moving parts. Failing to do so may result in serious injury.

WARRANTY:

Treasure Garden warrants this product (for residential use ONLY) to be free from defects in original materials and workmanship for a period of 1 year from the date of purchase. If a defect in the original material or workmanship appears during the warranty period; Treasure Garden will (at its discretion) repair or replace the product without charge.

Simply contact your original authorized Treasure Garden dealer with a description of the defect. The dealer will verify the defect and work closely with Treasure Garden to obtain the necessary service. In many cases, simple problems can be solved with a replacement part that can be shipped directly to the dealer for professional installation / repair.

In the event that warranted factory service is required, Treasure Garden will assume the responsibility of the return freight

charges on warranted product for the first year only.

Returned product that (upon receipt and inspection) is deemed to be "not covered" under our warranty, will be shipped / billed at your expense.

This warranty gives you specific legal rights, and you may have other rights which vary from state to state.

RUST: Rust is a natural part of the aging process of steel or iron based materials, and is therefore NOT considered a defect.

NOTE: Failure caused by unreasonable or abusive use, or failure caused by neglect of reasonable and necessary care are not covered by this warranty.

Additionally, acts of nature (including but not limited to wind, hurricanes, tornadoes, and storms) are not covered by this warranty.



www.treasuregarden.com

©2021 Treasure Garden, Inc. - All Rights Reserved.
v.05.19.21