



# SERENADE

The Serenade fire pit is handmade by Dekko in North America. Ships with your choice of NG or LP burner, one decorative aggregate option and chrome On/Off key.

Size: 32"W x 16"H  
CSA/UL Approved Burner Assembly



	Manual Ignition	Electronic Ignition
BTU/Hr	65,000	140,000
Weight	90 lbs	90 lbs
Fuel Options	NG/LP	NG/LP

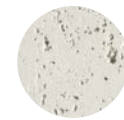
### Optional Accessories:

- Propane Tank Cover 16"W x 16"D x 21"H
- Glass Wind Guard 23"D x 6"H
- Vinyl Weather Cover
- Powder Coated Aluminium Table Top 32"D

### Colour Options



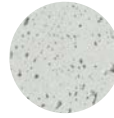
NATURAL



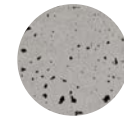
LIMESTONE



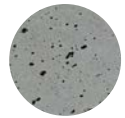
CLAY



ASH



SANDSTONE



CHARCOAL

### Decorative Aggregate Options



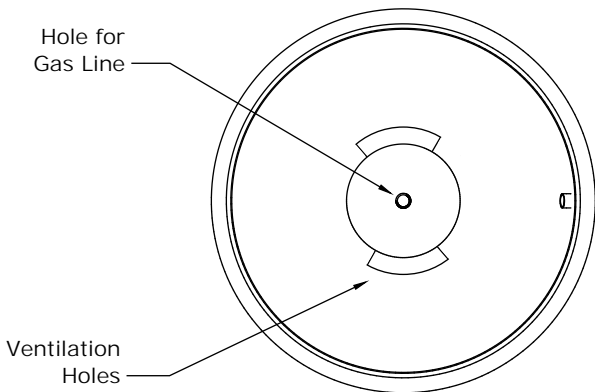
IVORY BEACH STONE



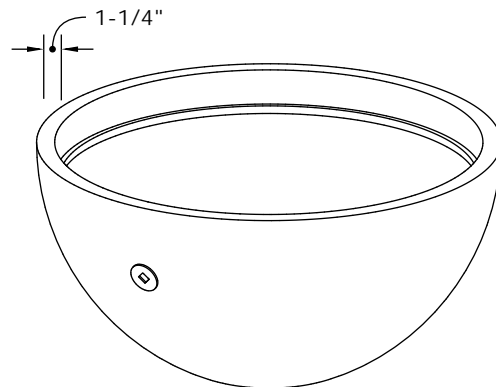
SLATE BEACH STONE



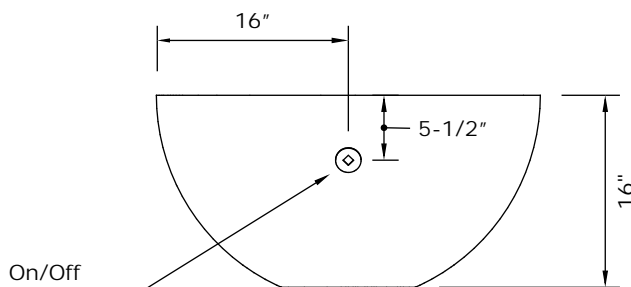
BLACK LAVA ROCK



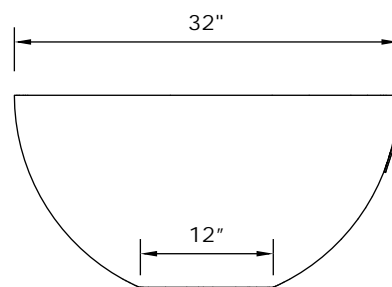
PLAN VIEW



PERSPECTIVE VIEW



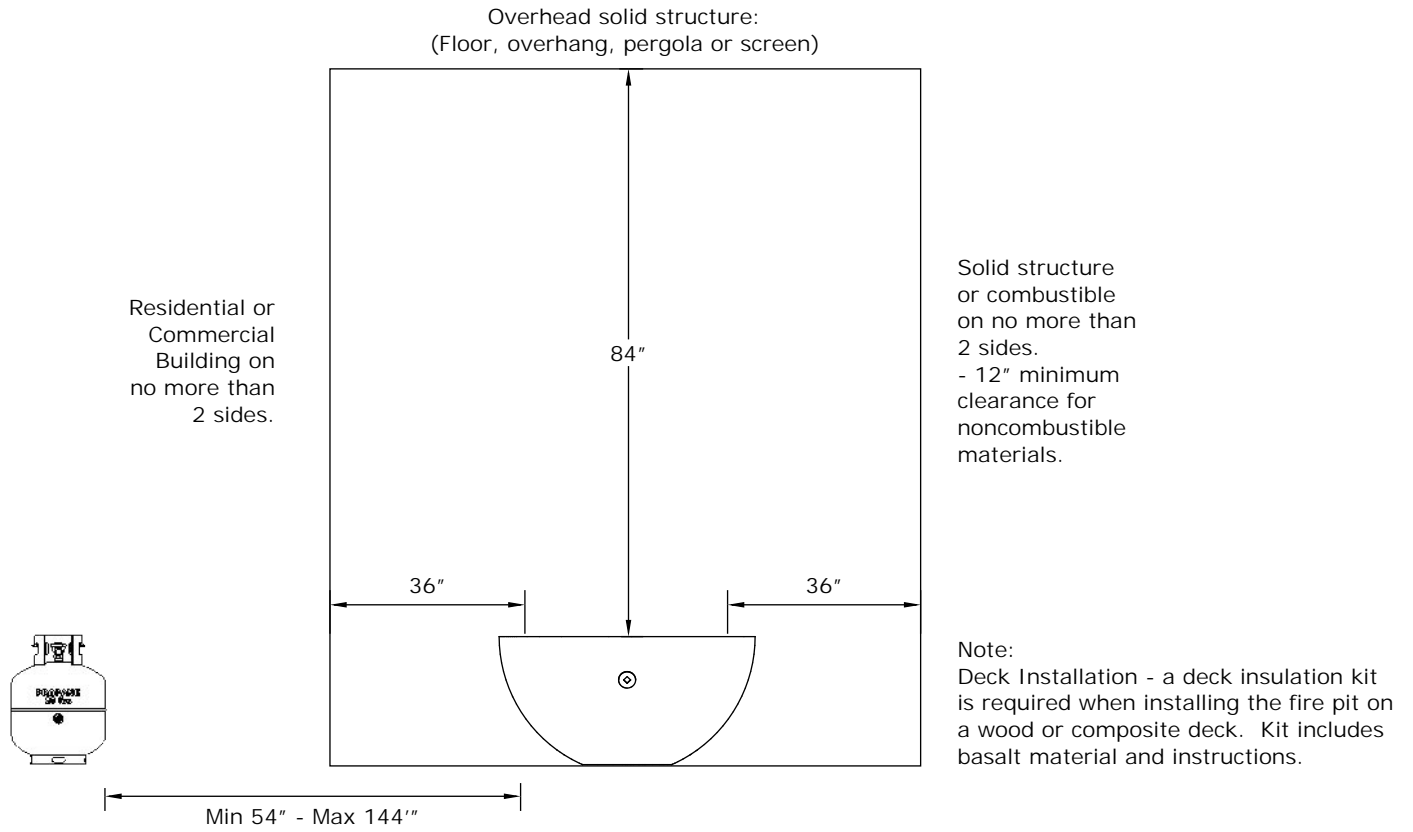
FRONT ELEVATION



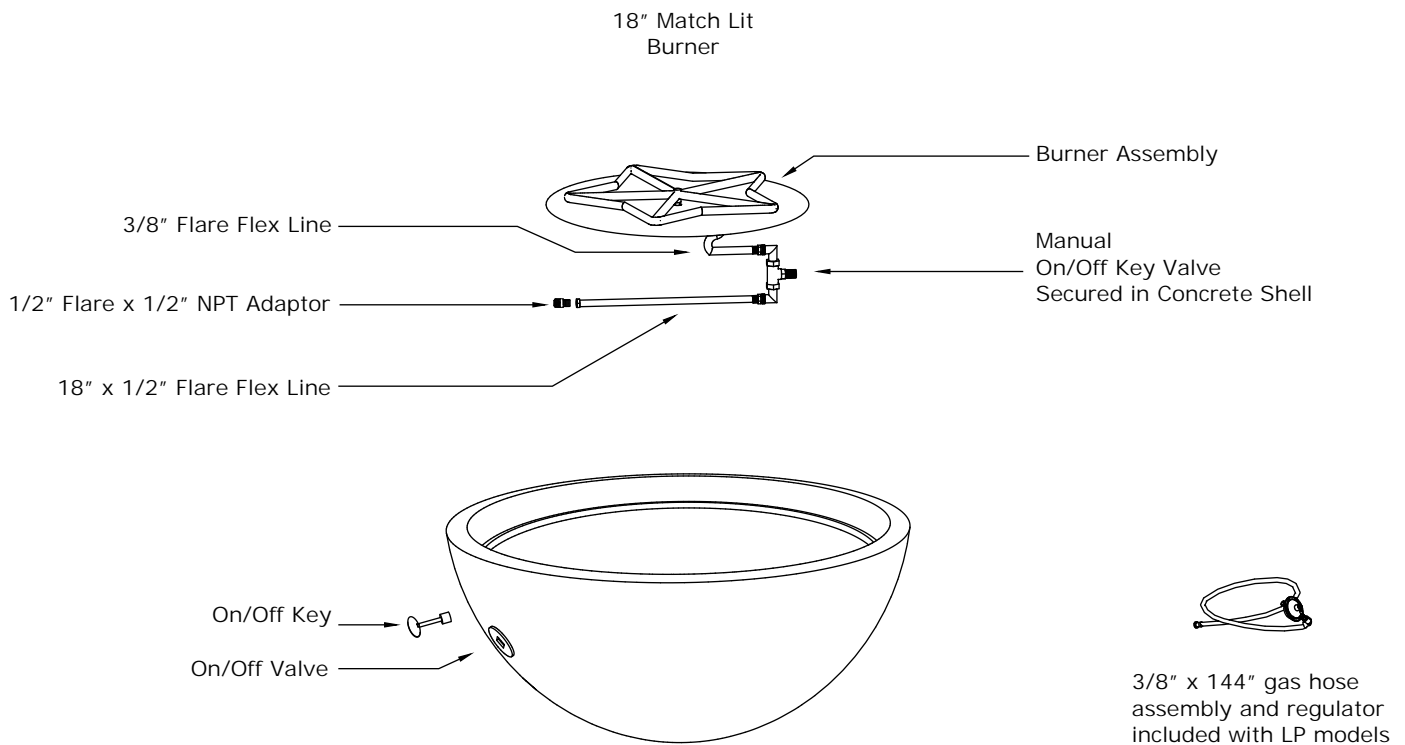
SIDE ELEVATION



## Clearances

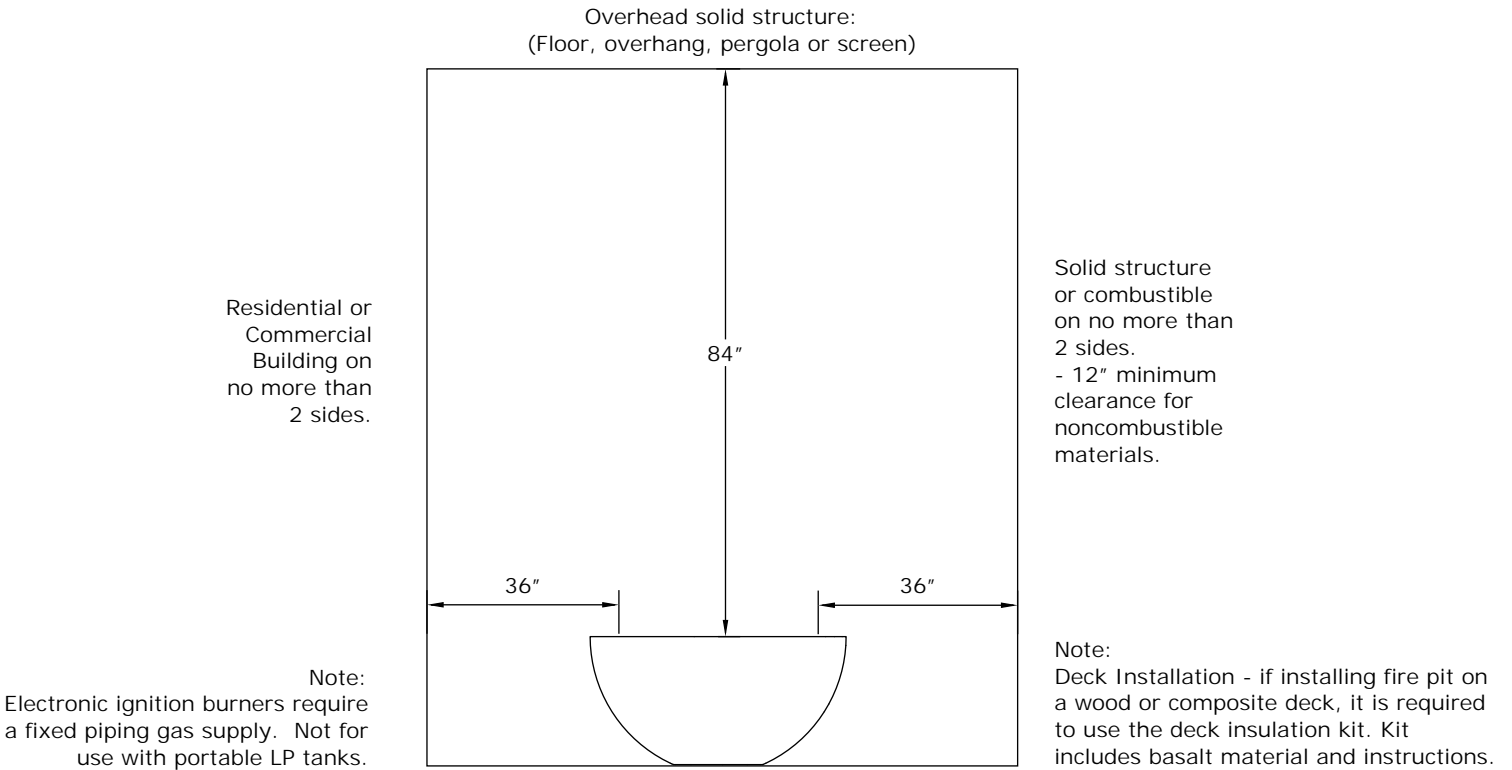


## Burner Assembly





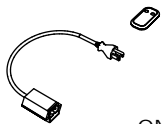
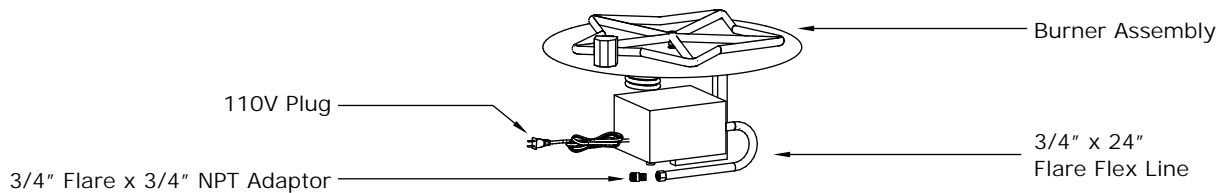
## Clearances



## Burner Assembly

Electrical:  
120V Outdoor receptacle required.  
Must be installed and grounded in accordance with local codes.

24" Electronic Ignition Burner



ON/OFF remote control included with Electronic Ignition models

