



# PRESTIGE PRO<sup>®</sup> SERIES

## Owner's Manual

PRESTIGE PRO 500, 665, 825

Grills illustrated in this manual may differ from model purchased.

### We Want Your Feedback!

Visit [Napoleon.com](http://Napoleon.com) to write a review



and register your grill.

Apply Serial Number



# CONGRATULATIONS ON YOUR NAPOLEON GRILL!

You've Just Upgraded Your Grilling Game.

WE WANT YOUR GRILLING EXPERIENCE TO BE MEMORABLE AND SAFE.

Please read and follow this Owner's Manual before using your grill to avoid property damage, personal injury, or death.

Remove all packaging material, promotional labels and cards from the grill before use.

USE OUTDOORS IN A WELL-VENTILATED SPACE

## DANGER!

### IF YOU SMELL GAS:

- Shut off gas to the appliance
- Extinguish any open flame
- Open lid
- If odor continues, keep away from the appliance and immediately call your gas supplier, or fire department.



## WARNING!

Do not try to light this appliance without reading the "LIGHTING" instructions section of this manual

Do not store or use gasoline, or other flammable liquids or vapors in the vicinity of this or any other appliance

An L.P. (propane) cylinder not connected for use must not be stored in the vicinity of this or any other appliance

If the information in these instructions is not followed exactly, a fire or explosion may result and cause property damage, personal injury, or death



Alert adults and children about the hazard of hot surface temperatures. Supervise young children near the grill.

**NOTICE TO INSTALLER:** Leave these instructions with the grill owner for future reference.

**NOTICE TO CONSUMER:** Keep these instructions for future reference.

# Welcome to Napoleon!

## SAFETY FIRST



### **WARNING** General Information

This grill should be installed in conformity with local codes. In absence of local codes, install to the current Natural Gas and Propane Installation Code CSA B149.1 in Canada, or the National Fuel Gas Code ANSI Z223.1/NFPA 54 in the United States.

If a rotisserie motor is used, it must be electrically grounded in accordance with local codes. If an external electrical source is utilized, the appliance must also be grounded in accordance with local codes. In absence of local codes, follow the current Canadian Electrical Code CSA C22.1 in Canada, or the National Electrical Code ANSI/NFPA 70 in the United States.



### **WARNING!** Electrical Precautions

Keep all electrical supply cords and fuel supply hoses away from all heated surfaces.

To protect against electric shock, do not immerse the cord or plug in water or other liquids.

When connecting, first connect plug to appliance, then plug the appliance into outlet. Use only a Ground Fault Interrupter (GFI) protected circuit with this outdoor cooking appliance.

Never remove the grounding plug. Never use with an adapter of 2 prongs.

Use only extension cords with a 3 prong grounding plug that has been rated for the power of the equipment and approved for outdoor use with W-A marking.



### **WARNING!** Operation

Read this entire Owner's Manual before operating this grill.

Leak Test this grill before each use, annually and when any gas components are replaced.

Follow the lighting instructions carefully.

Do not let the cord hang over the edge of a table.

Do not use this grill for purposes other than intended.

Do not operate this grill with a damaged cord, plug, or after the grill malfunctions or has been damaged in any manner. Contact Napoleon for repair.



### **WARNING!** Installation & Assembly

Assemble this grill exactly as instructed in the Assembly Guide. If the grill was assembled in-store, review the assembly instructions to ensure it is done correctly. This grill is not intended to be installed in or on boats or installed in or on recreational vehicles.

Perform the required Leak Test before operating the grill.

Do not modify this grill under any circumstances.

Allow grill to cool before installing or removing parts.

Do not use a cylinder that is not equipped with a QCC1 type connection.

Only use the pressure regulator and hose assembly supplied with this grill or replacement parts specifically recommended by Napoleon.



### **WARNING!** Storage & Disuse

Turn off gas at the propane cylinder or natural gas supply valve.

Disconnect the hose between the propane cylinder and grill.

Remove the propane cylinder and store outdoors in a well-ventilated space away from children.

Unplug from the outlet when not in use and before cleaning.

DO NOT store propane cylinders in a building, garage, shed, or any other enclosed space.

Disconnect the natural gas hook-up from the supply when storing the grill indoors.



### **WARNING!** California Proposition 65

This product can expose you to chemicals including soot, which are known to the State of California to cause cancer, and chemicals including carbon monoxide, which are known to the State of California to cause birth defects or other reproductive harm. For more information go to [www.P65Warnings.ca.gov](http://www.P65Warnings.ca.gov).

## CONTENTS

Welcome to Napoleon!	3
Safety First	
Full System Features	4
Getting Started	5
Gas Connections	
Leak Test	
Operation	9
Lighting your grill	
Grilling Instructions	
How to use the Rear Burner & Rotisserie	
Illumination Instructions	
The Grilling Experience Checklist	
How to season cast iron cooking grids	
Infrared Grilling Guide	15
Cleaning Instructions	16
Maintenance Instructions	19
Combustion in air adjustment	
Stainless in harsh environments	
Troubleshooting	21
Warranty	23



PHONE:  
1-866-820-8686



EMAIL  
[grills@napoleon.com](mailto:grills@napoleon.com)



ONLINE  
[www.napoleon.com](http://www.napoleon.com)



# Full System Features

Dual-level Stainless Steel Sear Plates for consistent even heating and vaporizing drippings for more flavourful food

Rear Infrared Rotisserie Burner to enjoy succulent rotisserie meals

Interior Lights for late night entertaining

Two Stage power side burner for limitless cooking

**LED SPECTRUM NIGHT LIGHT™**  
Control Knobs with safety glow

Instant **JETFIRE™** Ignition for quick and east start-up

Easy Locking Casters safely lock the grill in position

Integrated Wood Chip Smoker Tray to enhance flavor

Stainless Steel Iconic **WAVE™** Cooking Grids for those distinctive sear marks and even cooking

Large Stainless Steel Warming Rack for increased cooking area

**ACCU-PROBE™** Temperature Gauge to easily read the temperature for perfect results

Integrated Ice and Marinade Bucket with Cutting Board and Tool Hooks

Dedicated Infrared **SIZZLE ZONE™** bottom burners for perfectly grilled steaks

Easy access drip pan for efficient maintenance

Heavy Gauge Stainless Steel Burners for long lasting quality

**ULTRA-GLIDE™** propane tank storage tray slides for easy of access (propane models only)



The grills illustrated in this Owner's Manual may differ from the model you purchased. Featured model: PRO 825

# Getting Started



**DANGER / WARNING!** Advises of a hazard that could result in a fire, explosion, death or serious physical injury.



**WARNING / CAUTION!** Advises of a hazard that could result in minor physical injury or property damage.



Wear protective gloves.



Wear safety glasses.



**CAUTION!** Hot surface.



Important information.



Do not smoke while performing a gas leak test. Sparks or flames will cause a fire, explosion, damage to property, serious physical injury, or death.



Never use an open flame to check for gas leaks. Sparks or flames will cause a fire, explosion, damage to property, serious physical injury, or death.



**DANGER!** Immediately shut off the gas supply and disconnect.

## ADDITIONAL SAFE OPERATING PRACTICES

- Do not route the hose underneath the drip pan. Maintain proper hose clearance to the bottom of the unit.
- Ensure sear plates are positioned properly according to sear plate installation instructions.
- Burner controls must be off when turning the gas cylinder valve on.
- Do not light burners with the lid closed.
- Do not operate the rear burner(s) with the main burners.
- Do not close the side burner lid when operating or hot.
- Do not deep fry food on the side burner.
- Do not adjust the cooking grids when operating or hot.
- Do not move the appliance during use.
- Turn off the gas supply at the gas cylinder after use.
- Do not modify the appliance.
- Maintenance should only be done when the grill is cool.
- Do not store lighters, matches or any other combustibles in the condiment tray.
- Keep all electrical supply cords and fuel supply hoses away from all heated surfaces.
- Clean the grease tray, drip pan, and sear plates regularly to avoid build-up and grease fires.
- Keep the infrared burner and main burner venturi tubes free from spider webs and other obstructions by inspecting and cleaning it regularly.
- Do not allow cold water (rain, sprinkler, hose etc.) to contact the heated grill. An immediate temperature change will chip the porcelain and crack the ceramic burners.
- Do not use a pressure washer to clean any part of the grill.
- Do not locate this grill where it can be exposed to high winds, especially when the wind can come from directly behind the grill.
- Do not operate appliance under any combustible construction.
- Never cover more than 75% of the cooking surface with solid metal.
- This appliance must be kept away from flammable materials while in use.
- Appliance PRO500 must always maintain proper clearance to combustibles 20" (508mm) to rear of unit, 7" (178mm) to sides.
- Appliance PRO665 and PRO825 must always maintain proper clearance to combustibles 27" (686mm) to rear of unit, 7" (178mm) to sides.

**CAUTION!** The hook-up and installation of the gas and hose connection must be performed by a licensed gas fitter, and leak tested before operating the grill.

**CAUTION!** Ensure the hoses do not contact any high temperature surfaces of the grill.

**WARNING!** Accessible parts may be very hot. Keep young children away.



## GAS CONNECTIONS

### To a Propane Cylinder: Option 1

Only use a 20 lb. (9.1 kg) propane cylinder constructed and marked in accordance with the Specifications for LP gas Cylinders of the U.S. Department of Transportation (D.O.T.) or the Standard for Cylinders, Spheres and Tubes for Transportation of Dangerous Goods and Commission, CAN/CSA-B339, as applicable.

Only use a gas pressure regulator specified by Napoleon. The regulator must supply a pressure of 11 inches water column (0.39 psi) and have a QCC1 type fitting.

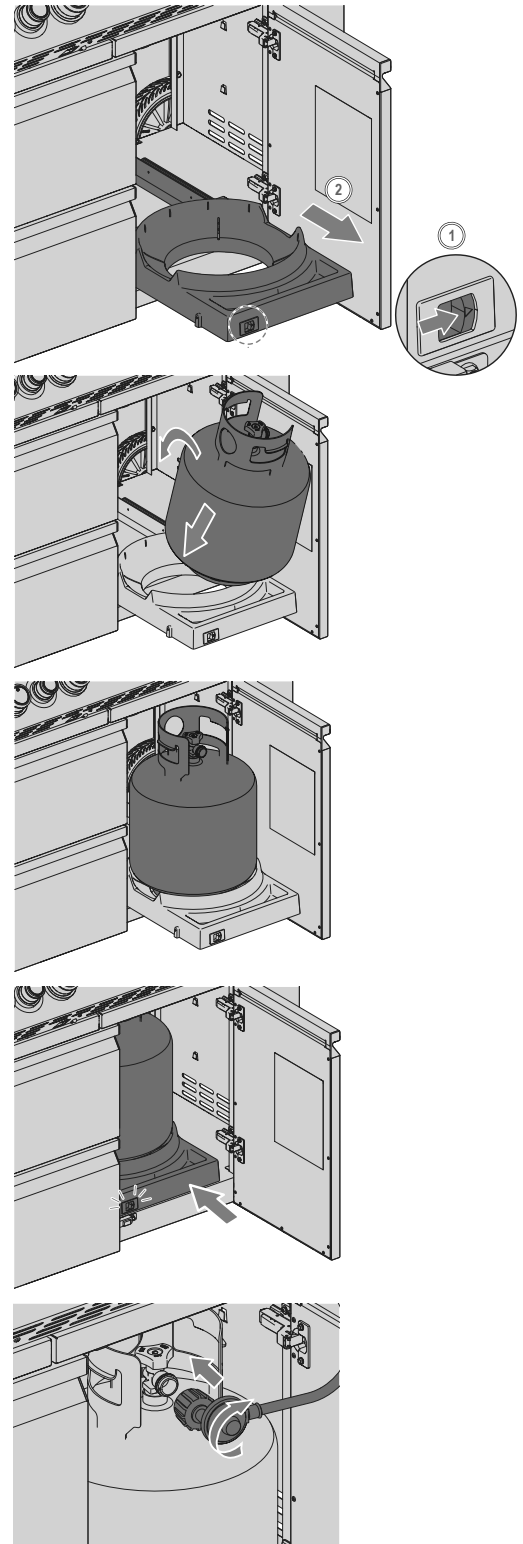
The cylinder connection device must be compatible with the connection for this outdoor appliance.

The propane cylinder must have:

- A shutoff valve with a QCC1 connection
- A safety relief device
- A collar to protect the valve
- A listed Overfill Protection Device

### Hook-up and Installation

- Check the cylinder for dents or rust, and have it inspected by your propane supplier.
- Never use a cylinder with a damaged valve.
- Place the cylinder in its designated area on the bottom shelf.
- Ensure the gas regulator hose has no kinks.
- Remove the cap or plug from the cylinder fuel valve.
- Insert the black QCC1 regulator nipple onto the QCC1 fuel valve. Hand tighten to right. Do not use tools.
- Ensure the hose does not contact with the drip pan or any high temperature surfaces of the grill because it will melt and cause a fire.
- Leak test all joints prior to operating the grill. See “Leak Test”.



**WARNING!** Do not store a spare gas cylinder below the grill head or side burners.

**WARNING!** Never use a gas cylinder that is beyond 80% full.

**WARNING!** Follow all specifications and instructions exactly to prevent fire, explosion, property damage, personal injury, or death.

**WARNING!** Disconnect the grill and its individual shutoff valve from the gas supply piping system during any pressure testing in excess of ½ psi (3.5 kPa).



### To a House Gas Supply Line: Option 2

- A gas supply hose and quick disconnect designed for natural gas and certified for outdoor use are included with natural gas grills.
  - Natural gas plumbing must supply a pressure of 7 inches water column pressure to the inlet of the grill.
  - Piping and valves upstream of the quick disconnect are not supplied.
  - The gas pipe must be sized to supply the BTU/h specified on the rating plate, based on the length of the piping run.
  - See “**WARNING! General Information**” of this manual for installation codes.
1. Hook-up to a gas supply line must be performed by a licensed gas fitter and leak tested before operating the grill.
  2. Do not route the hose in close proximity to the drip pan or over top of the back panel.
  3. Ensure the hose does not contact any high temperature surfaces.

### Quick Disconnect

- Do not install the quick disconnect in an upward direction.
- A readily accessible manual shut-off valve must be installed upstream of the quick disconnect, and as close to it as possible.
- Connect the flared end of the hose to the fitting on the end of the manifold tube or flex tube (if applicable).
- Tighten using two wrenches. Do not use thread sealer or pipe dope.
- Leak test all joints prior to operating the gas grill. See “**Leak Test**”.

#### BE CAREFUL!



The lid of the grill and the entire firebox can become very hot when in use.

**WARNING!** Close the individual shutoff valve to isolate the grill from the gas supply piping system during any pressure testing equal to or less than ½ Psi (3.5 kPa).

**WARNING!** Check the hose for evidence of excessive abrasion, melting, cuts or cracks. If the hose is damaged, it must be replaced with an assembly specifically recommended by Napoleon.



## LEAK TEST

### Why and When to Leak Test?

A leak test confirms no gas is escaping after you connect the hose to the gas supply.

Each time the tank is refilled and reinstalled, ensure that there are no leaks in the fitting where the regulator connects to the tank.

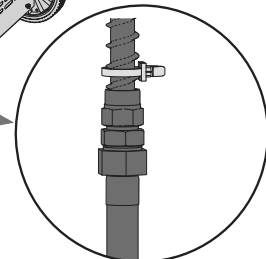
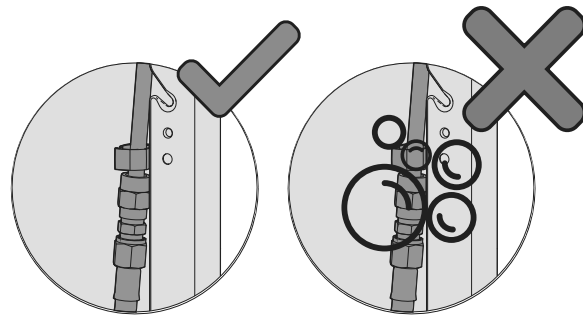
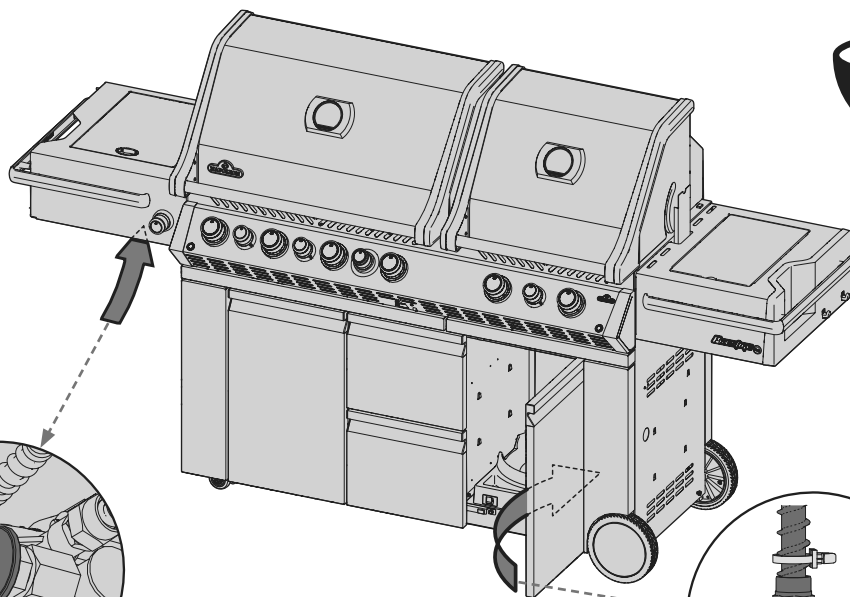
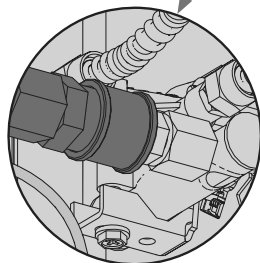
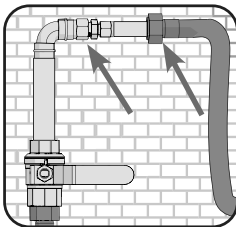
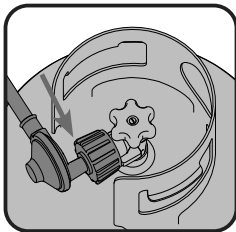
Leak test this grill before use, annually, and when any gas components are replaced.

### Leak Test Steps

1. Do not smoke while performing the test.
2. Remove all sources of ignition.
3. Turn all burner controls to the off position.
4. Turn the gas supply valve on.
5. Brush a half-and-half solution liquid soap and water onto all joints and connections of the regulator, hose, manifolds, and valves.
6. Bubbles indicate a gas leak.

### If you find a leak

1. Tighten any loose joints.
2. If the leak cannot be stopped, immediately shut off the gas supply and disconnect the grill.
3. Have the grill inspected by a certified installer, or dealer.
4. Do not use the grill until the leak has been fixed.



**WARNING!** Never use an open flame to check for gas leaks. Sparks or flames will cause a fire, explosion, damage to property, serious physical injury, or death.

**WARNING!** Only use the pressure regulator and hose assembly supplied with the grill, or one in conformity with local codes.





# Operation

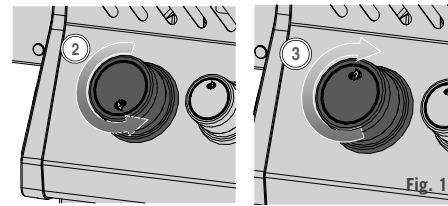
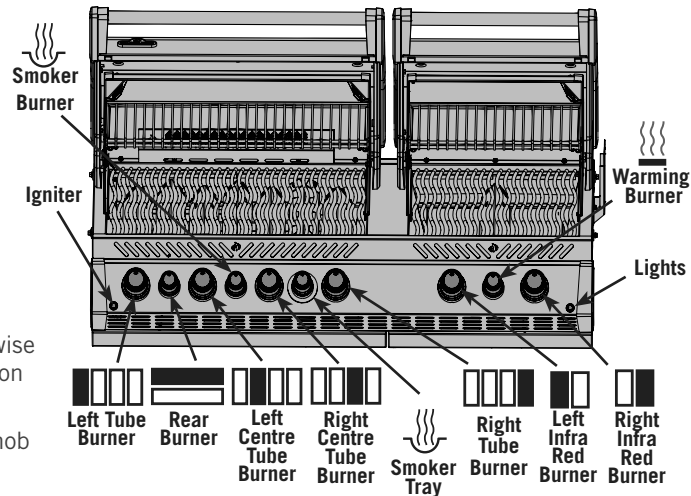
## LIGHTING YOUR GRILL

### Is it the very first time? Perform a Burn-off

Remove warming rack and run the main burners on high for 30 minutes. It is normal for the grill to emit an odor the first time it is lit. This odor is caused by the “burn-off” of internal paints and lubricants used in the manufacturing process and will not occur again.

### Main Burner Lighting

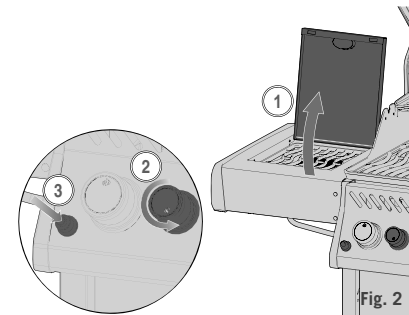
1. Open grill lid.
2. Push and slowly turn any main burner knob counter clockwise to HIGH position until pilot lights. Continue to push down on the control knob until the burner lights and then release.
3. If the pilot does not light – immediately turn the control knob clockwise to the OFF position. Repeat step 2.
4. If the pilot and burner will not light in 5 seconds – turn the control knob clockwise to the OFF position. Wait 5 minutes for gas to dissipate. Repeat steps 2 and 3, or light with a match. (Fig. 1).



**WARNING!** Do not use the rear burner while operating the main burner.

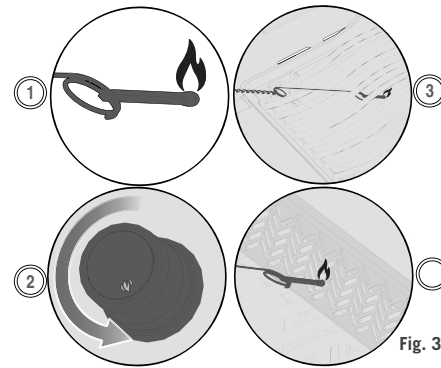
### Rear Burner Lighting (if equipped)

1. Open grill lid.
2. Remove warming rack.
3. Push and slowly turn rear burner knob counter clockwise to HIGH position.
4. Press and hold igniter button until the burner lights, or light by match.
5. If the burner will not light – turn burner control knob clockwise to the OFF position. Wait 5 minutes. Repeat step 3 and 4. (Fig. 1)



### Side Burner Lighting (if equipped)

1. Open burner cover.
2. Push and slowly turn side burner knob counter clockwise to HIGH position.
3. Press and hold igniter button until the burner lights, or light by match.
4. If the burner will not ignite – turn burner control knob clockwise to the OFF position. Wait 5 minutes. Repeat step 2 and 3. (Fig. 2)



### Lighting with a match

1. Clip the match into the supplied lighting rod.
2. Insert the lit match through the cooking grids and sear plates
3. While turning the corresponding burner knob to high. (Fig. 3)



**WARNING!** Ensure all burner controls are in the OFF position before slowly turning on gas supply valve.

**WARNING!** Follow the lighting instructions carefully.

**WARNING!** Make sure the lid of the grill is OPEN while igniting.

**WARNING!** Do not adjust the cooking grids while the grill is hot, or operating.



## GRILLING INSTRUCTIONS

### Main Burner Use

- Preheat the grill before searing food by operating all main burners on high with the lid closed for approximately 10 minutes.
- Food cooked for only a short time such as fish and vegetables can be grilled with the lid open.
- Grilling with the lid closed ensures higher and consistent temperatures that cook meat more evenly and can reduce cooking times.
- The cooking grids can be oiled before preheating to reduce sticking when grilling lean meat such as chicken breast, or pork.
- Food that takes longer than 30 minutes such as roasts can be cooked indirectly with the burner lit opposite the food. See Indirect Grilling.
- Trim excess fat off meat to prevent flare-ups, or reduce the temperature of the grill.
- Flare ups – move food away from the flames and reduce the heat. Leave the lid open.

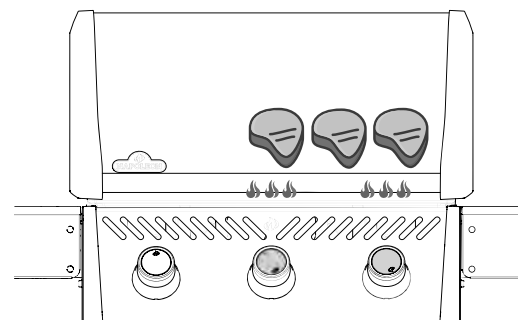
### Direct Grilling

This method is often used for searing, or food cooked for only a short time such as hamburgers, steaks, chicken, or vegetables.

Place food on the cooking grids directly over the heat.

Sear meat first to trap-in the juices and flavor.

Lower the grill temperature to finish cooking to your preference.

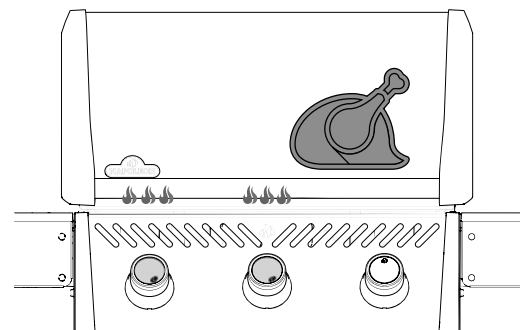


### Indirect Grilling

This method uses lower temperatures and circulates heat around the food cooking it slowly and evenly. Use this method to cook larger cuts of meat, or food prone to flare-ups such as roast, chicken, or turkey.

Turn one or more burners on and place food on the cooking grid where there is no flame, or burner on.

Grilling at a lower temperature and slower cooking time results in more tender meats.



### Infrared Main Burner Use (if equipped)

Follow the “Main Burner Lighting” Instructions and operate on high for 5 minutes with the lid closed or until the ceramic burners glow red.

Cook the food directly on the grid(s) following the directions on the “Infrared Grilling Guide”. Food can be seared on the infrared burner and then transferred to the main burners of the grill to finish cooking over direct or indirect heat, depending on your taste and preference.

#### GRILLING PRO TIP!

Use a thermometer to check the internal temperature of meat to ensure it is cooked perfectly.

**WARNING!** Never grill food directly on the flame side burner. It is designed for use with pots and pans only.

**WARNING!** Do not close side burner lid while it is operating or hot.

**WARNING!** Do not deep fry food on the side burner. Cooking with oil can be dangerous.

**WARNING!** Regularly clean grease out of the entire unit, including the grease tray and the sear plates, to avoid build-up and grease fires.



### Flame Side Burner (if equipped)

The flame side burner can be used like a stove top to make gravy or soups. The maximum pot or pan diameter is 10" (24 cm).

Be sure your grill is in a location protected from the wind, or the performance of the side burner will be affected.

### Infrared Side Burner (if equipped)

To operate, follow the "**Side Burner Lighting**" instructions. The infrared heat provides an even cooking area for searing food when it's set to high.

Some side burner models have a height-adjustable cooking grid.

### Smoker Burner (if equipped)

Place a small amount of wood chips in the solid portion of the smoker tray and follow the "**Main Burner Lighting Instructions**" to ignite the smoker.

Different types of wood produce different tastes (e.g. apple, walnut, hickory), and they come in multiple variations: chunks, chips, dust or pellets.

A wisp of smoke is enough to get a nice smoky flavor on your food, so be mindful of the quantity of wood used.



**IMPORTANT!** Too much smoke will leave an unpleasant tasting sooty deposit on the food.

### Grilling at Night (if applicable)

Illuminate the control knobs by pushing the light bulb icon on the control panel.

When a burner is operating, the corresponding knob will glow red, while the rest will remain blue.



**WARNING!** Do not leave food unattended on any lit burners.

**WARNING!** Keep the lid open if main infrared burner is set on high to prevent accidentally burning food.



## HOW TO USE THE REAR BURNER & ROTISSERIE

### Assembling Your Rotisserie Kit (if equipped)

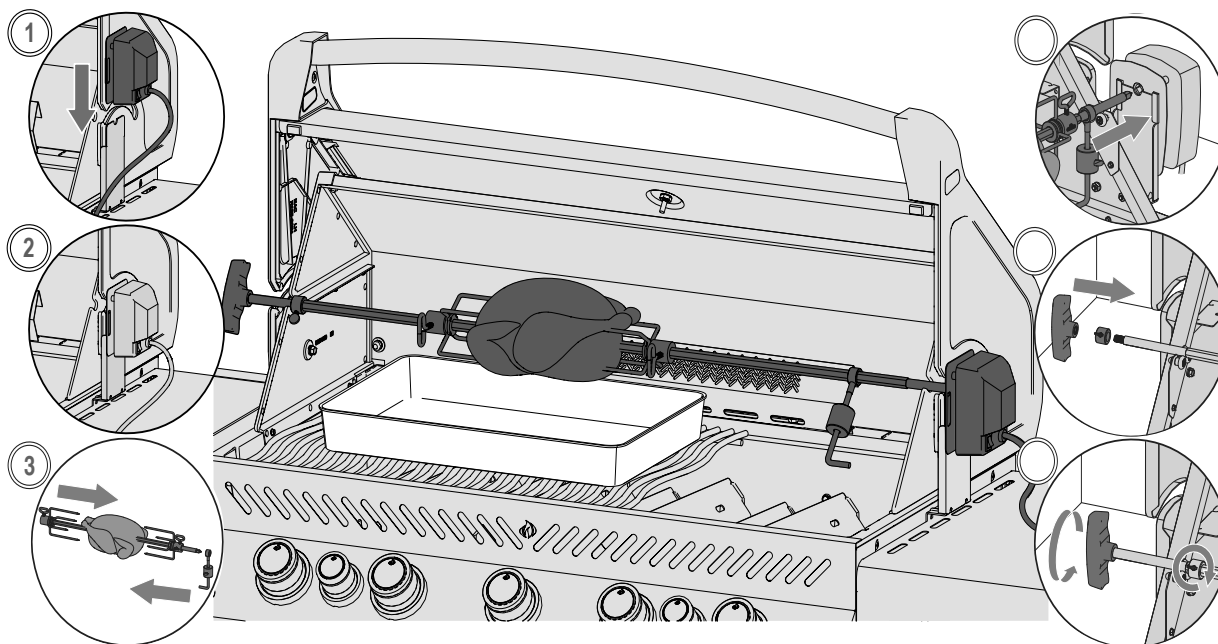
**Note:** Remove the warming rack prior to using the rear burner and spit rod. Extreme heat will damage the warming rack.

1. Install the rotisserie motor on the side of the grill using the mounting bracket(s). Some models have pre-mounted brackets.
2. Once the bracket has been fastened to the grill, slide the rotisserie motor onto the bracket.
3. Slide the first rotisserie fork just past the middle of the spit rod and tighten into place. Thread the meat onto the spit rod and push the second rotisserie fork on the opposite end of the spit rod and push the fork into the meat until secure. Tighten the fork into place.

4. Carefully insert the pointed end of the spit rod into the rotisserie motor and set the opposite end across the hangers. The heavy side of the meat will naturally hang down to balance the load.
5. Slide the stop bushing onto the spit rod until it is past the inside of the hood. This will secure the side to side movement of the spit rod.
6. Tighten the stop bushing and spit rod handle. Place a metal dish under the meat to collect the drippings.



**IMPORTANT!** Always wear gloves when handling components of the grill.



### Tips about using the Rotisserie:

- Operate the rear burner on high until the meat browns. Reduce heat. Keep lid closed.
- Use a thermometer to check the internal temperature of the meat.
- Roasts and poultry should brown on the outside and stay tender on the inside.
- Use drippings to baste and make gravy.
- A 3-pound chicken takes approximately 1 ½ hours on medium to high.
- Be mindful of your rotisserie motor capacity. Never overload your equipment.
- Be sure to always set an evenly balanced load on your rotisserie.

### How to cook multiple chickens

1. Tie or skewer wings to the body of the chickens.
2. Slide rotisserie fork onto spit rod.
3. Thread first chicken onto spit rod until it is held into place by the rotisserie fork. Tighten.
4. Thread next 2 chickens onto spit rod so all the chickens are close together.
5. Slide second rotisserie fork onto spit rod and push into chicken until all 3 chickens are squeezed together tightly. Tighten.

### DID YOU KNOW?

You can remove the cooking grids if they interfere with cooking larger cuts of meat.

**WARNING!** Disassemble rotisserie components when finished cooking, wash with warm soapy water, and store indoors.

**WARNING!** Use heat resistant grilling gloves when handling the hot rotisserie components.

**WARNING!** Disconnect rotisserie plug from the outlet when the grill is not in use.



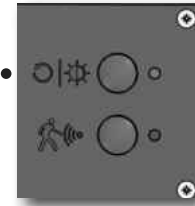
## ILLUMINATION INSTRUCTIONS

### Motion Sensor and Knobs, Oven and Cabinet Lights (if equipped)



Turn the Power Switch ON located on the box inside the grill cabinet.  
A red and a blue LED light will turn on. Illumination settings are in Default mode.

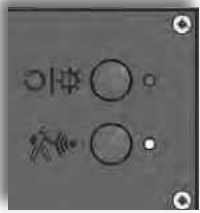
Brightness: Press the button to change brightness between high (100%), medium (65%) and low (35%). This can only be changed when the knob lights are in White or Blue Mode



### Motion Sensor

- The knob and logo lights will remain ON as long as motion is detected within 1 meter in front of your grill. They will turn off after 15 minutes of inactivity.
- While the motion sensor is ON (as indicated by the blue LED), you can turn the oven and cabinet lights on and off with the switch.
- Press the button in the box to turn the sensor OFF (indicated by blue LED).
- Now all your lights are controlled with the switch.
- The oven and cabinet lights will turn off after two hours.

If the motion sensor is OFF, the knob and logo lights will also shut off after two hours.



### Illumination Modes

#### Default mode

- Knob light mode Blue
- Brightness on high
- Motion Sensor is On

#### Knob lights modes

- Blue
  - White
  - Green - color spectrum mode
- Brightness can be adjusted in these modes only

Select Knob light mode by holding down the switch to toggle from blue to white to green. Release it on the desired mode.  
Go back to Default mode: by holding down the button for 2 seconds.

### Selecting a Color

- When you have the knobs on the Color spectrum mode the knobs will slowly cycle through the color spectrum, starting at green.
- Quickly Press Twice to stop the spectrum at any color you choose
- Press twice again to let it continue changing colors.

### Logo light ON / OFF

- The logo and knobs lights work as a set. However, you can also turn the logo light off while keeping the knobs light on.
- **Double click the** button to turn on the logo light OFF at any time.  
**Double click the** again to turn back on.
- If the unit is powered OFF and ON again (main power switch), the logo light will return to its default mode



## THE GRILLING EXPERIENCE CHECKLIST

Refer to this list every time you grill

- Read Owner's Manual**

Be sure to have read the owner's manual and all the safety instructions.

- Clean grease tray**

Always ensure you clean the grease tray prior to grilling to avoid fires and flare-ups.

- Check the hose**

Ensure the grill is off and cool. Check the hose for evidence of excessive abrasions, or cuts. Have the hose replaced before use if the hose is damaged.

- Preheat and clean grids**

Coat the grids with vegetable shortening and preheat your grill to burn off excess residue and prevent sticking. Clean cast iron grids with a brass wire brush and stainless steel grids with a stainless brush. See "**Cleaning Instructions**".

**NOTE:** Stainless steel cooking grids are corrosion resistant and require less maintenance than cast iron grids.

- Prep area**

Make sure everything you need while grilling such as your utensils, seasonings, sauces, and dishes are within your reach. Don't leave your food unattended, or it could burn.

- Don't peek and flip once**

Try not to open the lid and peek too much, or heat will escape and throw your temperature and cooking times off. Flip your food only once, especially steak and chicken.

- Leave space**

Leave some space on the grill and between food, so you have room to move food around if you need to.

- Use a thermometer**

Use a thermometer to ensure food is cooked thoroughly. Follow the appropriate temperatures guidelines for all types of meat, especially poultry.

### GRILLING PRO TIP!



Get inspired to create delicious meals from the recipes and grilling techniques at [www.napoleon.com](http://www.napoleon.com) and Napoleon's cookbooks.

### GRILLING PRO TIP!



Always preheat the grill before cooking to burn off leftover residue and prevent food from sticking to the grate.

### OIL AND FAT SUGGESTION!



- Grapeseed Oil
- Sunflower Oil
- Soybean Oil
- Extra Virgin Olive Oil
- Canola Oil

If not available, select an oil or fat that has a high smoke point. Do not use salted fats like butter or margarine.

## HOW TO SEASON CAST IRON COOKING GRIDS








This procedure **MUST** be done prior to first use and repeated every 3-4 uses to keep grids looking new.

1. Remove cast iron grids from the grill.
2. Wash grids with warm soapy water and soft cloth. Pat dry and allow grids to completely dry.
3. Apply fat/oil evenly using a silicone brush on both sides.
4. Preheat appliance to 350°F - 400°F (176°C - 204°C).
5. Install cooking grids and cook for 30 minutes.
6. Apply a second even coat of fat/oil on cooking grids, and keep cooking for 30 more minutes.
7. Grids are now seasoned.

**NOTE:** If rust has formed on the cast iron grids, remove the rust with scouring pad or brass brush and repeat the seasoning process.



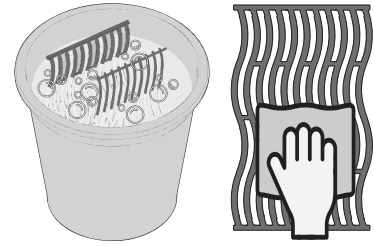
# Infrared Grilling Guide

FOOD	CONTROL KNOB SETTING	COOKING TIME	SUGGESTIONS
 <b>Steak</b> 1 inch (2.54 cm) thick	HIGH – 2 minutes each side	Rare – 4 minutes	Ask for marbled fat in cut. Fat is a natural tenderizer and keeps meat juicy.
	HIGH to MEDIUM – High heat 2 minutes each side then turn to medium heat	Medium – 6 minutes	
		Well done – 8 minutes	
 <b>Hamburger</b> ½ inch (1.27 cm) thick	HIGH – 2 minutes each side	Rare – 4 minutes	Keep patties all the same thickness for equal cooking times. Patties 1 inch thick or more should be grilled using indirect heat.
	HIGH – 2 ½ minutes each side	Medium – 5 minutes	
	HIGH – 3 minutes each side	Well done – 6 minutes	
 <b>Chicken</b>	HIGH, MEDIUM, LOW – 2 minutes each side then medium-low to low heat	20 – 25 minutes	Slice joint connecting the thigh and leg ¾ through for the meat to lie flat on the burner and cook evenly.
 <b>Pork Chops</b>	MEDIUM	6 minutes each side	Choose thick cuts for more tender meat. Trim off excess fat.
 <b>Spare Ribs</b>	HIGH to LOW – High for 5 minutes then low until finished	20 minutes each side turning often	Choose lean meaty ribs. Grill until meat pulls easily from the bone.
 <b>Lamb Chops</b>	HIGH to MEDIUM – High for 5 minutes then Medium until finished	15 minutes each side	Choose thick cuts for more tender meat. Trim off excess fat
 <b>Hot dogs</b>	MEDIUM to LOW	4 – 6 minutes	Select larger wieners and slit lengthwise before grilling

# Cleaning Instructions

## First Time Use

1. Wash grids by hand with water and mild dish soap to remove any residue from the manufacturing process. **DO NOT** wash in a dishwasher.
2. Rinse thoroughly with hot water and dry completely with a soft cloth to prevent moisture from entering the cast iron.



## Cast Iron Grids

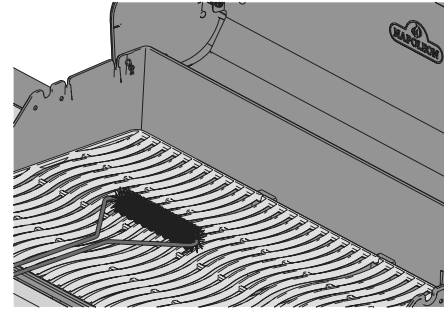
- Season your grids to add a protective coating to prevent corrosion. See Grilling Tips – **How to Season your Cast Iron Cooking Grids.**

## Stainless Steel Grids

- Stainless steel cooking grids can be cleaned by preheating the grill and using a wire brush to remove residue.
- Stainless steel grids will permanently discolor from regular use because of high temperatures when grilling.

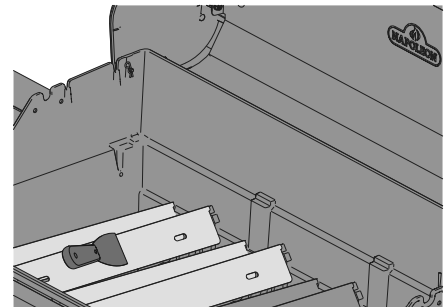
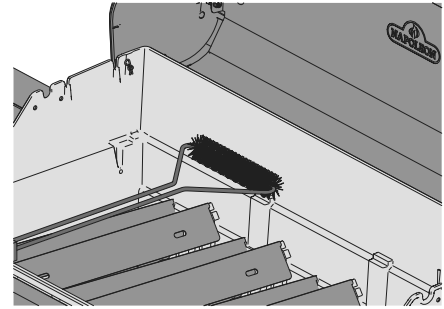
## Infrared Side Burner

- Most drippings and food particles that fall on the infrared burner surface incinerates immediately because of the high intensity heat.
- Do not clean the ceramic tile with a wire brush.
- Do not use water or other liquids to clean the burner. An immediate change in temperature will cause cracking of the ceramic tile.
- Light burner and operate on high for 5-10 minutes to remove any left-over residue.



## Inside of the Grill

1. Remove the cooking grids.
2. Use a brass wire brush to clean loose debris from the sides and underneath the lid.
3. Scrape the sear plates with a putty knife or scraper. Use a wire brush to remove the ash.
4. Remove the sear plates and brush debris from the burners with a wire brush.
5. Sweep debris from inside the grill into the drip pan.



**WARNING!** Always wear protective gloves and safety glasses when cleaning your grill.

**WARNING!** Accumulated grease is a fire hazard.

**WARNING!** Cleaning should only be done when the grill is cool to avoid the possibility of burns.





## Drip Pan

Every grill head, side burner and drop-in burner have a corresponding drip pan. It is easily accessible through doors or openings.

- Grease and excess drippings collect in the drip pan located beneath the grill and accumulate in the disposable grease tray below the drip pan (if applicable).
- Only use Napoleon approved liners on the drip pan. Never use aluminum foil, sand or any other unapproved material. This can prevent grease from flowing properly.
- Clean frequently to avoid grease build-up – approximately every 4-5 uses.

Cleaning steps:

1. Slide the drip pan from the grill to access the disposable grease tray or to clean the drip pan.
2. Scrape the drip pan out with a putty knife or scraper.
3. Replace the disposable grease tray every 2-4 weeks depending on grill usage (if applicable).
4. See your Napoleon Grill dealer for supplies.

## Control Panel

ONLY use warm soapy water.

Text is printed directly on the control panel and will gradually rub off if abrasive or stainless steel cleaners are used.

Proper cleaning of the control panel will ensure the text remains dark and legible.

## Aluminum Castings

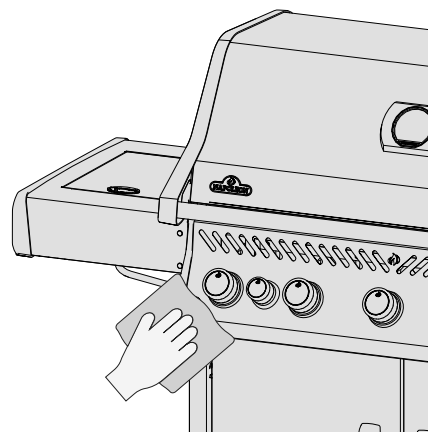
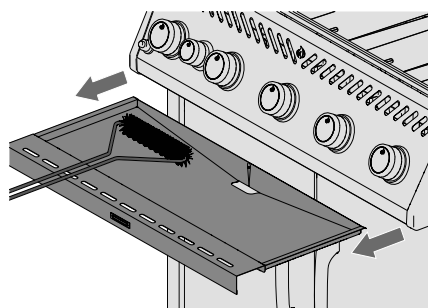
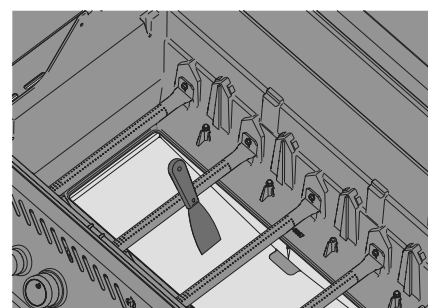
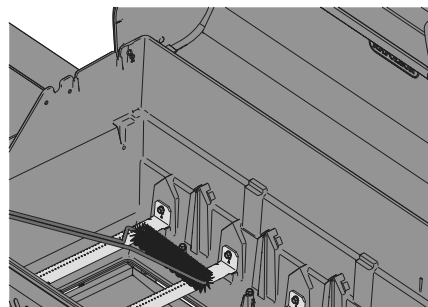
Clean with warm soapy water.

Aluminum doesn't rust, but high temperatures and weathering can cause oxidization on the surface of the castings that look like white spots.

See "**Maintenance Instructions**" for more information on how to prevent oxidized aluminum.

## Outside Grill Surface

- Only use a stainless steel non-abrasive cleaner. Abrasive cleaners or steel wool will scratch the finish.
- Always wipe in the direction of the grain.
- Handle porcelain enamel components with care.
- The baked-on enamel finish is glass-like and will chip if struck.
- Stainless steel parts discolor overtime when heated and will turn a golden or brown hue. This is normal and won't affect the performance of the grill.



**WARNING!** Ensure all burners are turned off and grill is cool before cleaning. Do not use oven cleaner to clean any part of the grill. Do not put cooking grids or any other parts of the grill in a self-cleaning oven to clean. Clean the grill in an area where cleaning solution won't harm decks, lawns, or patios.

**WARNING!** Barbecue sauce and salt can be corrosive and will cause rapid deterioration of the grill components unless cleaned regularly.



### Insect Screen and Burner Ports

Spiders and insects are attracted to small enclosed spaces.

Napoleon has equipped the burner with an insect screen on the air shutter. This reduces the likelihood of insects building nests inside the burner, but doesn't eliminate the problem.

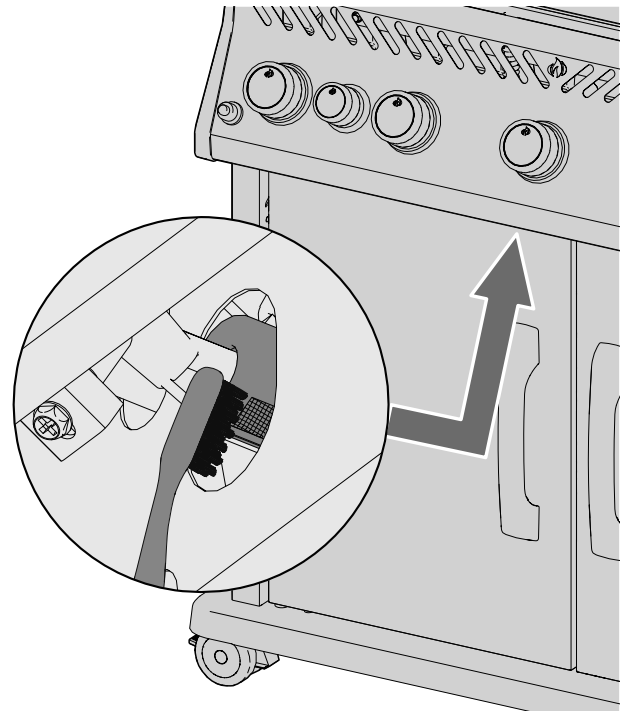
A nest or web can cause the burner flame to burn a soft yellow or orange and cause a fire or flashback at the air shutter underneath the control panel.

1. Remove the screw (s) that attaches the burner to the back wall of the grill. Slide the burner back and upwards to remove.
2. Use a flexible venturi tube brush to clean the inside of the burner.
3. Shake loose debris from the burner through the gas inlet.
4. Check the burner ports and valve orifices for blockages: burner ports can close over time because of cooking debris and corrosion.
5. Use an opened paper clip, or the supplied port maintenance bit to clean burner ports.
6. Drill out blocked ports using the supplied drill bit in a small cordless drill: this can be done with the burner attached to the grill, but it's easier if removed from the grill.
7. Do not flex the drill bit when drilling the ports because the drill bit will break.
8. This drill bit is for burner ports NOT for brass orifices that regulate the gas flow to the burner.
9. Do not enlarge the holes
10. Ensure the insect screen is clean, tight, and free of any lint or other debris.
11. Reverse the procedure to reinstall the burner.
12. Ensure the valve enters the burner when installing.
13. Replace sear plate mount and tighten screws to complete re-installation.

#### SAFETY FIRST!



Always wear protective gloves and safety glasses when servicing your grill.



**WARNING!** It is very important the valve/orifice enters the burner tube when reinstalling the burner after cleaning and before lighting your grill, or a fire or explosion could occur.

**WARNING!** Avoid unprotected contact with hot surfaces.

**WARNING!** Do not use abrasive cleaners or steel wool on any painted, porcelain, or stainless steel parts of your grill because it will scratch the finish.



# Maintenance Instructions

## RECOMMENDATIONS

This grill should be thoroughly inspected and serviced annually by a qualified service person.

- Do not obstruct the flow of ventilation and combustion air.
- Keep the cylinder enclosure ventilation openings located on the side of the cart or enclosure and front and back of the bottom shelf clear from debris.

**WARNING!** Keep the grill away from combustible materials, gasoline, and other flammable vapors and liquids.

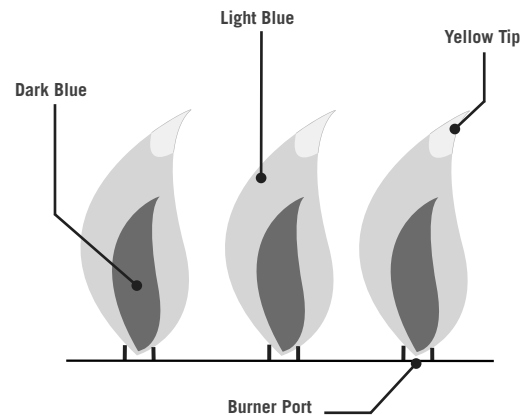


## COMBUSTION IN AIR ADJUSTMENT



**IMPORTANT!** This must be done by a qualified gas installer.

- The air shutter is factory set and should not require adjusting under normal conditions. Adjustments might be required under extreme field conditions.
- The flames of the air shutter will be dark blue, tipped with light blue and occasionally yellow when adjusted correctly.
- Too little air flow to the burner will produce soot and lazy yellow flames.
- Too much air flow to the burner will cause flames to lift erratically and cause igniting difficulties.



### Adjusting the Air Shutter

1. Remove cooking grids and sear plates. Leave lid open.
2. You may have to open the cabinet door or remove the top drawer (if equipped) to access the air shutter screw located at the mouth of the burner.
3. Remove the back cover to adjust rear tube burner air shutter.
4. Loosen air shutter lock screw and open or close air shutter as required. (Fig. 1)
5. Light the burners on high.
6. Visually inspect burner flames.
7. Turn burners off, tighten locking screws, and replace removed parts when shutters are set correctly.
8. Ensure insect screens are installed.

**Note:** Infrared burners have no air adjustment.

**WE WANT TO HELP!**



Contact the Napoleon Customer Solutions Department for recommended replacement parts.  
1-866-820-8686.

Model	Type of Gas	Main Burner	Rear Tube Burner	Smoker Burner	Warming Burner
PRO 500	Propane	1/2" (13mm)	Full Open	-	-
	Natural Gas	3/8" (10mm)	1/8" (3mm)	-	-
PRO 665	Propane	1/2" (13mm)	Full Open	1/8" (3mm)	-
	Natural Gas	3/8" (10mm)	1/8" (3mm)	1/16" (1.6mm)	-
PRO 825	Propane	1/2" (13mm)	Full Open	1/8" (3mm)	1/8" (3mm)
	Natural Gas	3/8" (10mm)	1/8" (3mm)	1/16" (1.6mm)	1/16" (1.6mm)

Fig. 1

## STAINLESS IN HARSH ENVIRONMENTS

Stainless steel oxidizes or stains in the presence of chlorides and sulfides, especially in coastal regions, warm and highly humid areas, and around pools and hot tubs. These stains look like rust, but they can be easily removed or prevented. Wash stainless and chrome surfaces every 3-4 weeks. Clean with warm soapy water.

### Burner Maintenance

- Extreme heat and a corrosive environment can cause surface corrosion to occur even though the burner is made from heavy wall 304 stainless steel.

### Maintenance and Protection of Infrared Burners

Your infrared burners are designed to provide a long service life, but you must be careful to prevent cracking of their ceramic surfaces. Fractures will cause the burners to malfunction.

**!** **IMPORTANT!** Damage resulting from by failure to follow these instructions is NOT covered by your grill warranty.

### Replacing Oven Halogen Bulbs (if equipped)

- Remove the screw securing the housing in place.
- Snap the lens and metal bracket out of the housing.
- Wearing protective gloves, gently pull the old bulb from the socket and replace with the new bulb.
- Reinstall the lens into the housing and bend the tabs on the front back into position.

### Steps to Avoid Damaging Ceramic Surfaces

1. Never douse a flame or control flare-ups with water.
2. Do not allow cold water (rain, sprinkler, hose etc.) to come in contact with hot ceramic burners. An immediate change in temperature will cause cracking of the ceramic tile.
3. A ceramic burner that becomes wet before use will create steam when operated later and produce pressure that will crack the ceramic.
4. Repeated soaking of the ceramic can cause it to swell and expand producing pressure that will make the ceramic crack and crumble.
5. Inspect the ceramic for possible water soaking if you find standing water in the grill. Remove the burner if the ceramic is wet. Turn it upside down to drain the excess water. Bring ceramic indoors to dry thoroughly.
6. Do not allow hard objects to impact the burner. Take care when inserting or removing cooking grids and using accessories.

### Clearance Ventilation of hot air

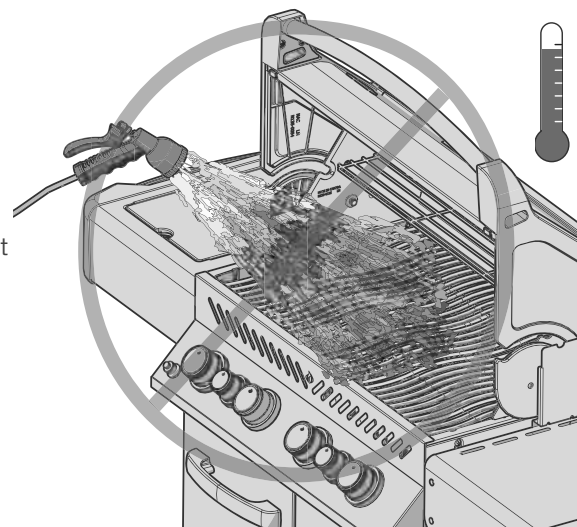
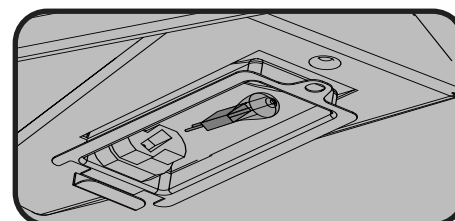
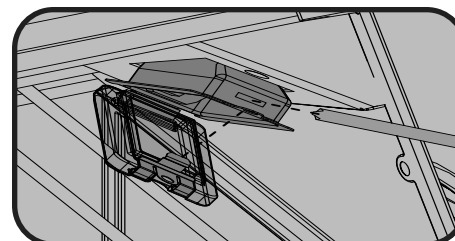
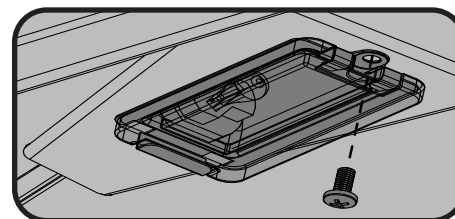
- Hot air must have a way to escape the grill for the burners to function properly.
- The burners can become deprived of oxygen if the hot air is not allowed to escape causing them to back-flash. The ceramic can crack if this occurs repeatedly.

**WARNING!** Turn off gas at the source and disconnect the unit before servicing.

**WARNING!** Maintenance should only be done when the grill is cool to avoid the possibility of burns.

**WARNING!** A leak test must be performed annually and when any component of the gas train is replaced, or when the smell of gas is present.

**WARNING!** Always wear protective gloves when changing the halogen bulb in your grill.



**SAFETY FIRST!**



Never cover more than 75% of any main or side burner cooking surface with any solid metal (e.g. griddles or pans)



# Troubleshooting

## Lighting Problems

- Main, rear or side burners will not light with the igniter, but will light with a match.
- Burners will not cross light each other.

	Possible causes	Solution
Main Burner	JETFIRE™ outlet is dirty or clogged	Clean JETFIRE™ outlet with a soft bristle brush.
	Dirty or corroded cross light brackets.	Clean or replace as required.
Rear and Side Burners	Dead battery, or installed incorrectly.	Replace with premium heavy-duty battery.
	Loose electrode wire or switch terminal wires.	Check electrode wire is firmly pushed onto the terminal on the back of the igniter. Check the lead wires from the module to the ignition switch (if equipped) are firmly pushed onto their respective terminals.
	Lifting flames on burner.	Close air shutter according to <b>"Maintenance Instructions"- Combustion Air Adjustment</b> section in this Owner's Manual. <b>IMPORTANT!</b> This must be done by a qualified gas installer.

## Noises and Flare-ups

- Humming regulator.
- Excessive flare-ups and uneven heat.

Possible causes	Solution
Normal humming noise on hot days.	This isn't a defect. It's caused by internal vibrations in the regulator and doesn't affect the performance or safety of the grill. Humming regulators WILL NOT be replaced.
The cylinder valve was opened too quickly.	Open cylinder valve slowly
Sear plates installed incorrectly.	Ensure sear plates are installed with holes towards the front, and the slots on the bottom. See Assembly Instructions Guide.
Improper heating.	Preheat grill with both main burners on high for 10 to 15 minutes.
Excessive grease and ash build on sear plates and in drip pan.	Clean sear plates and drip pan regularly. Do not line pan with aluminum foil. Refer to <b>"Cleaning Instructions"</b> .

### WE WANT TO HELP!



Napoleon is here to ensure your grilling experience is memorable. Contact us if you require additional help.

### REGISTER YOUR GRILL!



Register your grill! Go to [Napoleon.com](http://Napoleon.com) or your Assembly Guide for replacement parts instructions.

## Illumination Problems

- Oven Halogen Bulbs not working.
- Control Panel lights not working.

Possible causes	Solution
Unit is not connected to power	Plug power cord (from working GFI protected outlet) into electrical box on the back of the grill. Plug transformer cord into power box.
Blown fuse	Replace fuse located on outlet line of transformer.
Faulty transformer	Check transformer output – should be 12VAC. Replace if required.
Terminal on switch or circuit board are corroded or loose	Clean connections and ensure connectors are pushed together firmly. Access to circuit board is under electrical cover on left side of cabinet.
Halogen bulbs blown (oven lights only)	Replace bulbs as per the instructions in the <b>"Maintenance Instructions"- Replacing Oven Halogen Bulbs</b> section of this Owner's Manual

**Gas Flow**

- Low heat or low flame when valve is turned to high.
- Burners burn with yellow flame, accompanied by the smell of gas.
- Flames lift away from burner, accompanied by the smell of gas, and possible lighting difficulties.
- Burner output on HIGH, but setting is LOW. Rumbling noise and fluttering blue flame at burner surface.

Possible causes	Solution
Propane – improper lighting procedure	Ensure lighting procedure is followed carefully. All gas valves must be in the OFF position when the tank valve is turned on. Turn tank on slowly to allow pressure to equalize. See Operation – " <b>Lighting Instructions</b> ".
Natural gas – undersized supply line.	Pipe must be sized according to installation code.
Leaking gasket surrounding the ceramic tile, or a weld failure in the burner housing.	Allow burner to cool and inspect very closely for cracks. Contact your authorized Napoleon dealer to order replacement burner assembly if any cracks are found.
Both gas propane and natural gas – improper preheating.	Preheat grill with both main burners on high for 10 to 15 minutes.
Possible spider web or other debris.	Thoroughly clean nest or webs out of your burner orifice by removing it and following instructions in this manual. See " <b>Leak Test</b> ".
Improper air shutter adjustment.	Open or close air shutter slightly according to this manual. See " <b>Maintenance Instructions</b> ". <b>IMPORTANT!</b> This must be done by a qualified gas installer.
Lack of gas	Check gas level in propane cylinder.
Supply hose is pinched.	Reposition supply hose as necessary.
Propane regulator in low flow state.	Turn the burners off and close the tank valve, wait a minute before fully re-opening the valve, allow a few seconds for the pressure to equalize before following the Lighting Instructions to start the grill. Ensure igniting procedure is followed carefully every time you cook. All gas valves must be OFF when the tank valve is turned on. Always open the tank valve slowly.

**Infrared Burner Flashes Back**

- During operation the burner abruptly makes a loud whoosh sound, followed by a continuous blow-torch type sound and grows dim or has a large flame on start up.

Possible causes	Solution
Ceramic tiles overloaded with grease drippings and build-up. Ports are clogged	Turner burner OFF and allow to cool for at least 2 minutes. Reignite burner and burn on HIGH for at least 5 minutes, or until the ceramic tiles are evenly glowing red.
Burner overheated because inadequate ventilation. Too much grill surface covered by griddle or pan.	Ensure no more than 75% of the grill surface is covered by objects or accessories. Turn burner OFF and allow to cool for at least 2 minutes. Reignite.
Leaking gasket surrounding the ceramic tile, or a weld failure in the burner housing.	Allow burner to cool and inspect very closely for cracks. Contact your authorized Napoleon dealer to order replacement burner assembly if any cracks are found.
Improper heating.	Preheat grill with both main burners on high for 10 to 15 minutes.
Excessive grease and ash build on sear plates and in drip pan.	Clean sear plates and drip pan regularly. Do not line pan with aluminum foil. Refer to " <b>Cleaning Instructions</b> ".

**Peeling Paint**

- Paint appears to be peeling inside lid or hood.

Possible causes	Solution
Grease build-up on inside surfaces.	This is not a defect. The finish on the lid and hood is porcelain or stainless steel and will not peel. The peeling is caused by hardened grease, which dries into paint-like shards, that flake off. Regular cleaning will prevent this. See " <b>Cleaning instructions</b> ".

# NAPOLEON LIMITED LIFETIME WARRANTY

## FOR PRESTIGE®, PRESTIGE PRO™ AND BUILT-IN SERIES MODELS

Napoleon products are designed with superior components and materials and are assembled by trained craftsmen who take great pride in their work. The burner and valve assembly are leak tested and test-fired at a quality test station. This grill has been thoroughly inspected by a qualified technician before packaging and shipping to ensure that you, the customer, receive the quality product you expect from Napoleon. Thank you for purchasing a Napoleon product. Napoleon (Wolf Steel Ltd, Barrie, ON, Canada) warrants that the components in your new Napoleon product will be free from defects in material and workmanship from the date of purchase, for a period of 15 years.



Warranty

Hood .....	Lifetime
Stainless Steel Lid.....	Lifetime
Porcelain Enamel Lid .....	Lifetime
Aluminum Castings.....	Lifetime
Stainless Steel Cooking Grids.....	Lifetime
Stainless Steel Tube Burners.....	Lifetime
Stainless Steel Sear Plates .....	15 Years
Porcelain Enamel Cast Iron Grids.....	15 Years
Stainless Steel Infrared Rotisserie .....	15 Years
Infrared Bottom/Side Burner .....	15 Years
All Other Parts.....	15 Years

### CONDITIONS AND LIMITATIONS:

This Limited Warranty creates a warranty period as specified in the aforementioned table, for products purchased through an authorized Napoleon dealer, and entitles the original purchaser (or gift recipient in the case where a new product is given as a gift) to the specified coverage in respect of any component replaced within the warranty period, either by Napoleon or an authorized Napoleon dealer, to replace a component of such product that has failed in normal private use as a result of a manufacturing defect. This warranty does not cover accessories or bonus items.

For greater certainty, “normal private use” of a product means that the product: has been installed (where applicable) by a licensed, authorized service technician or contractor, in accordance with the installation instructions included with the product and all local and national building and fire codes; has been properly cleaned and maintained according to the instructions; and has not been used as a communal amenity or in a commercial application. In the case of use in communal or commercial applications (where approved), the warranty is reduced to a period of two (2) years.

Similarly, “failure” does not include: damage caused by over-firing, blow outs caused by environmental conditions such as strong winds or inadequate ventilation, scratches, dents, corrosion, deterioration of painted and plated finishes, discoloration caused by heat, abrasive or chemical cleaners or UV exposure, chipping of porcelain enameled parts, or damages caused by misuse, accident, hail, grease fires, lack of cleaning and maintenance, hostile environments such as salt or chlorine, alterations, abuse, neglect or parts installed from other manufacturers. If you live in a coastal area, or have your product located near a pool or hot tub, maintenance includes regular washing and rinsing of the exterior surfaces as outlined in the accompanying owner’s manual, in order to prevent surface corrosion. Should deterioration of parts occur to the degree of non-performance (rusted through or burnt through) within the duration of the warranted coverage, a replacement part will be provided. Parts replaced under this warranty are warranted only for the balance of the period specified in the aforementioned table.

The replacement component is the sole responsibility of Napoleon defined by this warranty; in no event will Napoleon be responsible for installation, labor or any other costs or expenses related to the re-installation of a warranted part, for any incidental, consequential or indirect damages, or for any handling and transportation charges or export duties.

# NAPOLEON LIMITED LIFETIME WARRANTY

## FOR PRESTIGE®, PRESTIGE PRO™ AND BUILT-IN SERIES MODELS

The use and/or installation of parts on your Napoleon product that are not genuine Napoleon parts will void this warranty, and any damages the result hereby are not covered by this warranty. Any conversion of a gas grill not authorized by Napoleon and performed by a Napoleon authorized service technician will void this warranty.

This warranty is provided in addition to any rights afforded to you by local laws. These and other statutory rights remain unaffected by this warranty provision. Accordingly, this warranty imposes no obligation upon Napoleon to keep parts in stock. Based on the availability of parts Napoleon may at its discretion discharge all obligations by providing a customer a prorated credit towards a new product. Napoleon may from time to time update the design of its products. Nothing contained in this warranty shall be construed as obligating Napoleon to incorporate such design updates into previously manufactured products, nor shall such updates be construed as an admission that previous designs were defective.

Registering your Napoleon product confirms your warranty coverage, will expedite any warranty claims you may need to make, and provides link between you and Napoleon in case we ever need to contact you. When making warranty claims, Napoleon representatives may request from you the bill of sale or copy, together with a serial number and a model number. Napoleon reserves the right to have its representative inspect any product or part prior to honoring any warranty claim. You must contact Napoleon Customer Service or an authorized Napoleon dealer to obtain the benefit of the warranty coverage.





# SÉRIE PRESTIGE PRO<sup>®</sup>

## Manuel du Propriétaire

PRESTIGE PRO 500, 665, 825

Les grilles illustrées dans ce manuel du propriétaire peuvent différer du modèle que vous avez acheté

**Nous voulons que vous vous retourniez!**

Visitez [Napoleon.com](http://Napoleon.com) pour écrire un commentaire.



et enregistrez votre gril

Numéro de Série



# TOUTES NOS FÉLICITATIONS SUR VOTRE GRILL NAPOLÉON!

Vous venez de mettre vos talents chef en valeur.

**NOUS VOULONS QUE VOTRE EXPÉRIENCE DE GRILLADE SOIT MÉMORABLE ET SÉCURITAIRE.**  
Veuillez lire et suivre ce mode d'emploi avant d'utiliser votre gril pour éviter des dommages matériels, blessures corporelles ou décès.

Retirez tout le matériel d'emballage, les étiquettes promotionnelles et les cartes du gril avant de l'utiliser  
**UTILISER A PLEIN AIR DANS UN ESPACE BIEN VENTILÉ**

## **DANGER!**

**SI VOUS DÉTECTEZ UNE ODEUR DE GAZ:**

- Coupez l'admission de gaz de l'appareil.
- Eteindre toute flamme nue.
- Ouvrir le couvercle.
- Si l'odeur persiste, éloignez-vous de l'appareil et appelez immédiatement le fournisseur de gaz ou votre service d'incendie.



## **AVERTISSEMENT!**

N'essayez pas d'allumer cet appareil sans lire les instructions de la section Allumer Votre Gril de ce manuel.

Ne pas entreposer ni utiliser l'essence ou d'autres liquides inflammables ou des vapeurs à proximité de cet appareil ou de tout autre appareil.

Une bouteille de propane non raccordée ne doit pas être entreposée à proximité de cet appareil ou de tout autre appareil.

Si l'information contenue dans ces instructions n'est pas respectée exactement, un incendie ou une explosion peut en résulter et causer des dommages matériels, blessures corporelles ou décès.



Sensibiliser les adultes et les enfants aux dangers des températures de surface élevées. Surveillez les jeunes enfants près du gril

**AVIS À L'INSTALLATEUR :** Laissez ces instructions au propriétaire du gril pour référence ultérieure.

**AVIS AU CONSOMMATEUR :** Conservez ces instructions pour référence ultérieure.

# Bienvenue à Napoleon!

## LA SÉCURITÉ D'ABORD



### AVERTISSEMENT! Informations générales

Ce barbecue à gaz est certifié selon les normes canadiennes et américaines. Normes nationales CSA 1.6-2018 et CSA 1.6-2018. ANSI Z21.58 -2018 pour les grils à gaz d'extérieur et doit être installé conformément aux codes locaux. En l'absence de codes locaux, l'installer conformément à la norme CAN B149.1, Code d'installation du gaz naturel et du propane au Canada, ou au National Fuel Gas Code ANSI Z223.1 aux États-Unis. si un moteur de rôtissoire est utilisé, il doit être mis à la terre conformément aux codes locaux. Si une source électrique externe est utilisée, l'appareil doit également être mis à la terre conformément aux codes locaux. En l'absence de codes locaux, suivez le Code canadien de l'électricité CSA C22.1 au Canada ou le National Electrical Code ANSI / NFPA 70 aux États-Unis.



### AVERTISSEMENT! Installation & Montage

Assemblez ce gril à gaz exactement comme indiqué dans ce manuel. Si le gril a été assemblé en magasin, passez en revue les instructions d'assemblage pour s'assurer qu'il est correctement assemblé. Effectuer le test d'étanchéité requis avant l'utilisation du gril. Ne modifiez en aucun cas ce gril à gaz. Laisser refroidir avant de mettre ou de retirer des pièces. Ce gril n'est pas destiné à être installé dans ou sur des bateaux. Ou installé dans ou sur des véhicules récréatifs. Ne pas utiliser une bouteille qui n'est pas équipée d'un raccord de type QCC1. Vous devez utiliser le régulateur de pression et le tuyau flexible fournis avec l'appareil. Inspectez le tuyau avant chaque utilisation. Remplacer le tuyau par un régulateur de pression et un tuyau de rechange spécifié par le fabricant du gril avant d'utiliser le gril au gaz, si signes d'abrasion excessive, ou le tuyau est coupé. N'utilisez pas ce gril avec un cordon, une fiche endommagés ou après un dysfonctionnement du gril ou s'il a été endommagé de quelque manière que ce soit. Contactez Napoléon pour réparation.



### AVERTISSEMENT! Précautions électriques

Gardez tous les cordons d'alimentation électrique et les tuyaux d'alimentation en carburant éloignés de toutes les surfaces chauffées.

Pour vous protéger contre les chocs électriques, ne plongez pas le cordon ou la fiche dans l'eau ou tout autre liquide. Connectez d'abord tous les composants électriques à l'appareil, puis branchez-les à la prise de courant. Utilisez uniquement un circuit protégé par disjoncteur de fuite à la terre (GFI) avec cet appareil de cuisson extérieur. Ne jamais retirer la fiche de mise à la terre. Ne jamais utiliser avec un adaptateur à 2 broches. Utilisez uniquement des rallonges électriques avec une fiche de mise à la terre à 3 broches homologuée pour la puissance de l'équipement et approuvée pour une utilisation à l'extérieur avec marquage W-A.



### AVERTISSEMENT Fonctionnement

Lisez ce manuel en entier avant d'utiliser ce gril à gaz. Test d'étanchéité de ce gril à gaz avant l'utilisation, annuellement et lors du remplacement de tout composant au gaz. Ne laissez pas le cordon pendre du bord d'une table. N'utilisez pas ce gril à des fins autres que celles prévues. Suivez attentivement les instructions d'allumage.



### AVERTISSEMENT! Entreposage et désuétude

Coupez le gaz à la bouteille de propane ou au robinet d'alimentation en gaz naturel. Débranchez le tuyau entre la bouteille de propane et le gril à gaz. Débranchez-le de la prise lorsque vous ne l'utilisez pas et avant le nettoyage. Retirez la bouteille de propane et rangez-la à l'extérieur dans un endroit bien aéré, loin des enfants. NE PAS entreposer les bouteilles de propane dans un bâtiment, un garage, une remise ou tout autre espace clos. Débranchez le raccord au gaz naturel de l'alimentation lorsque vous entreposez le gril à gaz à l'intérieur.



### PROPOSITION de la Californie 65

Ce produit peut vous exposer à des produits chimiques comme le plomb et plomb composés, qui sont connus dans l'état de Californie pour causer le cancer, et des produits chimiques, y compris le phtalate de di-n-butyle, qui sont connus du État de Californie à causer des anomalies congénitales ou d'autres troubles de la reproduction. Pour plus d'informations, visitez le site [www.P65Warnings.ca.gov](http://www.P65Warnings.ca.gov).

## CONTENU

Bienvenue à Napoleon!	27
La Sécurité D'abord	
Caractéristiques complètes	28
Pour commencer	29
Autres pratiques d'exploitation sécuritaires	
Connexion de gaz	
Test de Fuite	
Utilisation	33
Allumer Votre Gril	
Instructions de Grillage	
Comment utiliser le brûleur arrière et la rôtissoire	
Réglaes Lumières	
Liste de contrôle de Grilling Experience	
Comment assaisonner vos grilles de cuisson	
Guides de grillades infrarouges	39
Instructions de Nettoyage	40
Consignes D'Entretien	43
Combustion en réglage d'air	
Acier inoxydable dans des Environnements Difficiles	
Le Diagnostic des Anomalies	45
Garantie	47



TÉLÉPHONE:  
1-866-820-8686



EMAIL  
[grills@napoleon.com](mailto:grills@napoleon.com)



ONLINE  
[www.napoleon.com](http://www.napoleon.com)

# Caractéristiques complètes

Plaques Sear Plates en acier inoxydable à deux niveaux pour un chauffage uniforme et constant et des égouttements de vapeur pour des aliments plus savoureux.

Brûleur de rôtissoire à infrarouge arrière pour savourer de succulents repas de rôtisserie

Éclairage intérieur pour se divertir tard le soir

Brûleur à deux étages allures pour une cuisson illimitée

**LED SPECTRUM NIGHT LIGHT™**  
Boutons de commande avec leur de sécurité

**Instant JETFIRE™**  
Allumage rapide pour une mise en route rapide et orientale

Roulettes à verrouillage facile verrouillent la grille en toute sécurité

Plateau aux copeaux de bois de fumage intégré pour rehausser la saveur

Grilles de cuisson Iconic **WAVE™** en acier inoxydable pour des marques distinctives de cuisson et une cuisson uniforme

Grande grille de réchaud en acier inoxydable pour une grande surface de cuisson

**ACCU-PROBE™** Jauge de température pour lire facilement la température pour des résultats parfaits

Seau à glace et marinade intégré avec planche à découper et crochets à outils

Brûleurs inférieurs dédiés **SIZZLE Infrarouge ZONE™** pour des steaks parfaitement grillés

Tiroir d'égouttement facile d'accès pour un entretien efficace

Brûleurs en acier inoxydable de forte épaisseur pour une qualité durable

Glissières de plateau de stockage de réservoir de propane **ULTRA-GLIDE™** pour faciliter l'accès (modèles au propane seulement)



Les grilles illustrées dans ce manuel du propriétaire peuvent différer du modèle que vous avez acheté. Modèle vedette: PRO 825

# Pour commencer



**DANGER / AVERTISSEMENT !** Informe d'un danger pouvant entraîner un incendie, une explosion, des blessures graves ou la mort.



**AVERTISSEMENT / ATTENTION !** Avertir d'un danger pouvant entraîner des blessures corporelles mineures ou des dommages matériels.



Portez toujours des gants de protection.



Portez toujours des lunettes de sécurité



**ATTENTION !** Surface chaude.



Renseignements importants.



Ne fumez pas lorsque vous effectuez un test d'étanchéité au gaz. Des étincelles ou des flammes peuvent causer un incendie, une explosion, des dommages matériels, des blessures graves ou la mort.



Ne jamais utiliser une flamme pour vérifier les fuites de gaz. Des étincelles ou des flammes peuvent causer un incendie, une explosion, des dommages matériels, des blessures corporelles graves, ou la mort.



**DANGER !** Couper immédiatement l'alimentation en gaz et débrancher l'appareil.

## AUTRES PRATIQUES D'EXPLOITATION SÉCURITAIRES

- Ne pas faire passer le tuyau sous le bac d'égouttement. Gérer le dégagement approprié du tuyau jusqu'au fond de l'appareil.
- S'assurer que les plaques de cuisson sont positionnées correctement selon les critères suivants instructions d'installation de la plaque de recherche.
- Les commandes du brûleur doivent être éteintes lorsque vous ouvrez le robinet d'alimentation de la bouteille de propane.
- N'allumez pas les brûleurs avec le couvercle fermé.
- Ne pas utiliser le brûleur arrière avec les brûleurs principaux.
- Ne fermez pas le couvercle du brûleur latéral lorsque le brûleur est en marche ou chaud.
- Ne faites pas frire les aliments sur le brûleur latéral.
- Ne réglez pas les grilles de cuisson lorsqu'elles sont en marche ou chaudes.
- Ne déplacez pas l'appareil pendant son utilisation.
- Couper l'alimentation en gaz de la bouteille de gaz après utilisation.
- Ne modifiez pas l'appareil.
- L'entretien ne doit être effectué que lorsque le grill est froid.
- Gardez tous les cordons d'alimentation électrique et les tuyaux d'alimentation en carburant éloignés de toutes les surfaces chauffées.
- Nettoyer régulièrement le bac à graisse, lèchefrite et saisir les plaques pour éviter l'accumulation et les feux de graisse.
- Ne rangez pas de briquets, d'allumettes ou de tout autre combustible dans le plateau à condiments.
- Inspecter et nettoyer le tubes de venturi du brûleur infrarouge et brûleur principal périodiquement en raison de toiles d'araignées et d'autres obstructions.
- Ne pas placer ce grill à un endroit où il peut être exposé à des vents violents, en particulier lorsque le vent peut souffler directement derrière l'appareil.
- Ne fonctionnez pas le grill sous une construction combustible.
- Ne recouvrez jamais plus de 75% de la surface de cuisson avec métal solide.
- N'utilisez pas d'appareil de cuisson en plein air à des fins autres que celles prévues.
- Cet appareil doit être tenu à l'écart des matériaux
- L'appareil PRO500 doit toujours maintenir un dégagement approprié aux combustibles : 508 mm (20") à l'arrière de l'appareil, 178 mm (7") sur les côtés.
- Les appareils PRO665 et PRO825 doivent toujours maintenir un dégagement approprié aux combustibles : 686 mm (27 ") à l'arrière de l'appareil, 178 mm (7 ") sur les côtés.

**ATTENTION !** Le branchement et l'installation du raccord de gaz et du tuyau flexible doivent être effectués par un fournisseur de gaz agréé. et ainsi que les tests d'étanchéité d'utiliser le grill.

**ATTENTION !** Assurez-vous que le tuyau de propane ne touche pas les surfaces à haute température du grill à gaz, car il pourrait fondre et provoquer un incendie.

**AVERTISSEMENT!** Les parties accessibles peuvent être très chaudes. Éloignez les enfants.



## CONNEXION DE GAZ

### À une bouteille de propane: Option 1

N'utilisez qu'une bouteille de propane de 20 lb (9,1 kg) fabriquée et marquée conformément aux spécifications des bouteilles de gaz de pétrole liquéfié des normes nationales du Canada, des bouteilles, sphères et tubes CAN/CSA pour le transport des produits dangereux, ou pour les bouteilles de GPL du ministère américain des transports (DOT).

Un détendeur spécifié par le fabricant et avec une pression d'alimentation de 11 pouces de colonne d'eau (0.39 Psi) et un raccord de type QCC1 doivent être utilisés si vous utilisez une bouteille de propane portative.

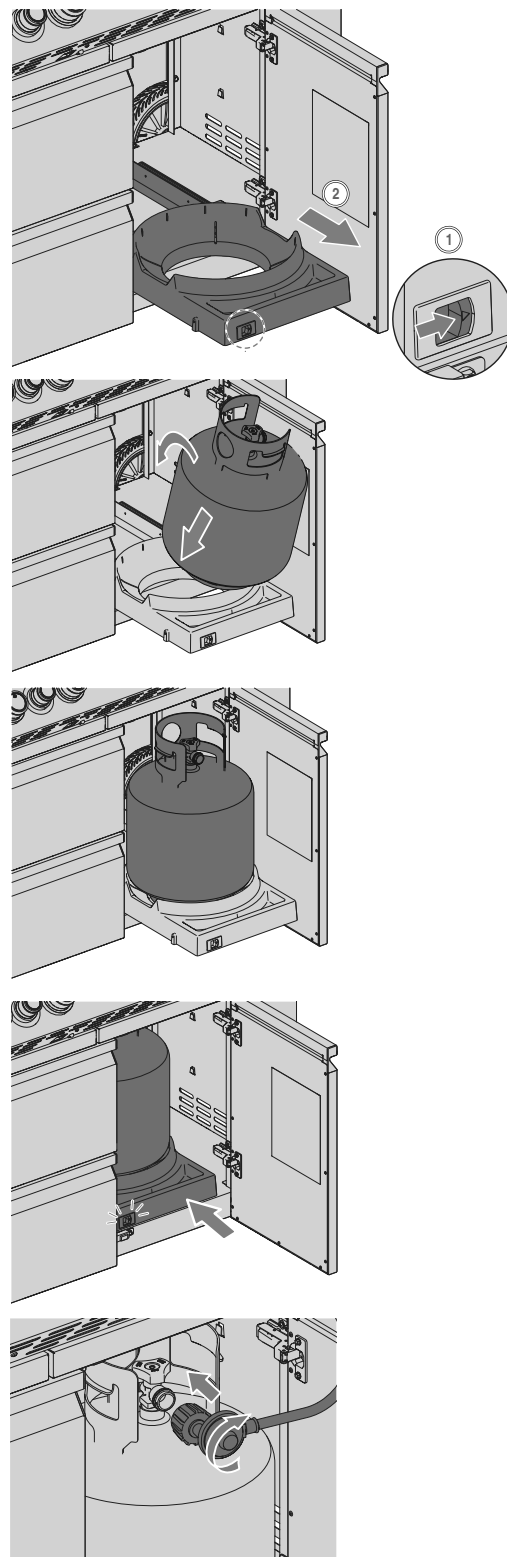
Le dispositif de raccordement de la bouteille doit être compatible avec le raccordement pour cela appareil extérieur.

Caractéristiques d'une bouteille de propane:

- Doit être muni d'un robinet d'arrêt et d'un dispositif de décharge de sécurité
- Vérifier que la bouteille de propane a été marquée pour le retrait des vapeurs.
- Inclure un collier pour protéger le robinet de la bouteille

### Branchement et installation

- Vérifiez si la bouteille ne présente pas de bosses ou de rouille et faites-la inspecter par votre fournisseur de propane.
- N'utilisez jamais une bouteille dont la valve est endommagée.
- Placer le cylindre dans la zone prévue à cet effet sur la tablette inférieure.
- Retirez le capuchon ou le bouchon du robinet de carburant du cylindre.
- Insérez le raccord noir du régulateur QCC1 sur le robinet de carburant QCC1. serrer à la main. Ne pas utiliser d'outils.
- Assurez-vous que le tuyau n'entre pas en contact avec le bac d'égouttement ou toute surface à haute température du gril car il fondra et provoquera un incendie.
- Vérifiez l'étanchéité de tous les joints avant d'utiliser le gril à gaz. Voir "TEST DE FUITE".



**AVERTISSEMENT !** N'entreposez pas de propane de rechange. Sous ou près de cet appareil à gaz.

**AVERTISSEMENT !** N'utilisez jamais une bouteille de propane qui est pleine à plus de 80%.

**AVERTISSEMENT !** Suivez toutes les spécifications et instructions à la lettre pour éviter tout risque d'incendie, d'explosion, de dommages matériels, de blessures corporelles ou de décès.

**AVERTISSEMENT !** Débranchez l'appareil à gaz et son robinet d'arrêt individuel du système de tuyauterie d'alimentation en gaz pendant tout essai de pression supérieur à ½ Psi (3.5 Kpa).



## Une conduite de gaz domestique: Option 2

- Un tuyau d'alimentation en gaz et une conception à raccord rapide pour le gaz naturel et certifié pour une utilisation à l'extérieur sont inclus avec votre grill.
- La tuyauterie au gaz naturel doit être capable de fournir une pression de 7" dans la colonne d'eau.
- La tuyauterie et les vannes en amont du raccord rapide ne sont PAS fournies.
- La conduite de gaz doit être dimensionnée pour fournir le BTU/h indiqué sur la plaque signalétique en fonction de la longueur de la tuyauterie.
- **Voir "AVERTISSEMENT ! Informations générales"** de ce manuel pour les certifications et les codes.
  1. Le branchement à une conduite d'alimentation en gaz doit être effectué par un installateur agréé et soumis à un test d'étanchéité avant de faire fonctionner le grill.
  2. Ne faites pas passer le tuyau sous le plateau d'égouttement.
  3. Assurez-vous que le tuyau ne touche aucune surface à haute température du grill à gaz, car il pourrait fondre et provoquer un incendie.

## Déconnexion rapide

- Ne pas installer la déconnexion rapide vers le haut.
- Une vanne d'arrêt manuelle doit être installée en amont, à proximité du raccord rapide et facilement accessible.
- Raccordez l'extrémité évasée du tuyau au raccord situé à l'extrémité du tube collecteur ou du tube flexible (le cas échéant).
- Serrer à l'aide de deux clés. Ne pas utiliser de scellant de fil ou de pâte à modeler.
- Testez tous les joints avant de faire fonctionner le grill à gaz. Voir **"TEST DE FUITE"**.

### FAITES ATTENTION!



Le couvercle du grill et la boîte à feu entière peut devenir très chaud quand utilisé.

**AVERTISSEMENT !** Fermer le robinet d'arrêt individuel pour isoler l'appareil de gaz du système d'alimentation en gaz pendant tout essai de pression égal ou inférieur à ½ Psi (3.5 Kpa).

**AVERTISSEMENT !** Vérifiez que le tuyau ne présente pas d'abrasions excessives, de fonte, de coupures ou de fissures et faites remplacer la pièce par votre revendeur napoleon grill ou un installateur au gaz qualifié.



## TEST DE FUITE

### Pourquoi test de fuite?

Un test d'étanchéité confirme qu'aucun gaz ne s'échappe après avoir branché le tuyau à l'alimentation en gaz.

Chaque fois que le réservoir est rempli et réinstallé, effectuer un essai d'étanchéité du raccord à l'endroit où le régulateur se raccorde au réservoir.

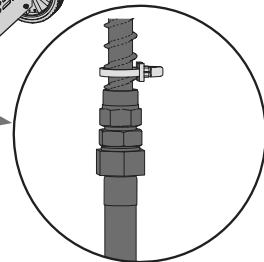
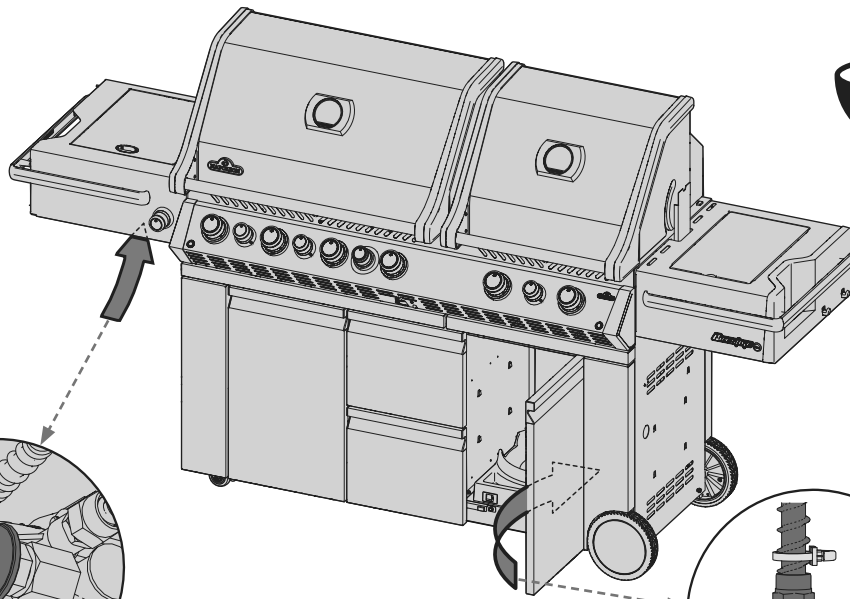
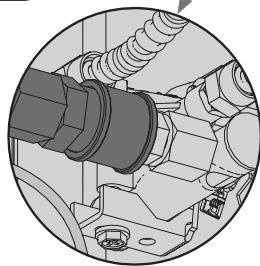
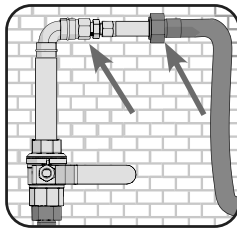
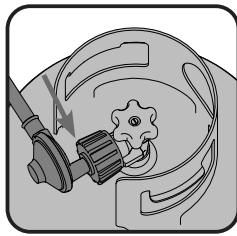
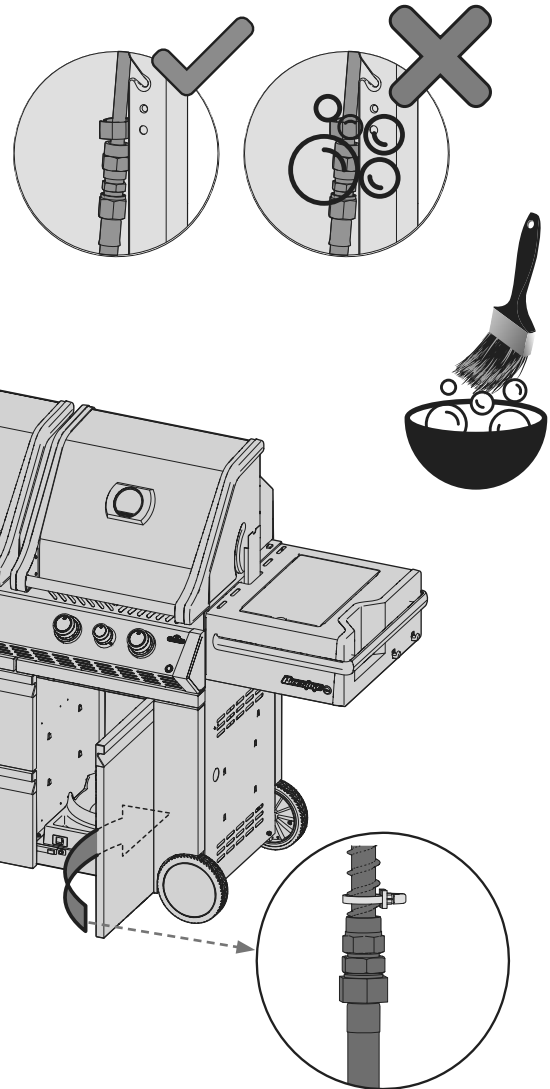
Vérifiez l'étanchéité de ce gril à gaz avant utilisation, une fois par an, et lors du remplacement de tout composant au gaz.

### Étapes du test d'étanchéité

1. Ne fumez pas pendant le test.
2. Éliminer toute source d'inflammation.
3. Mettez toutes les commandes du brûleur en position arrêt.
4. Ouvrir le robinet d'alimentation en gaz.
5. Appliquez une solution moitié-moitié d'eau et de savon liquide sur tous les joints et raccords du régulateur, du tuyau, des collecteurs et des vannes.
6. Les bulles indiquent une fuite de gaz.

### Si vous trouvez une fuite

1. Serrez tous les joints desserrés.
2. Couper immédiatement l'alimentation en gaz si la fuite ne peut être colmatée, se déconnecter.
3. Faites inspecter le gril par un installateur certifié ou un détaillant.
4. N'utilisez pas le gril avant que la fuite n'ait été réparée.



**AVERTISSEMENT !** Suivez toutes les spécifications et instructions à la lettre pour éviter tout risque d'incendie, d'explosion, de dommages matériels, de blessures corporelles ou de décès.

**AVERTISSEMENT !** Ne jamais utiliser une flamme pour vérifier les fuites de gaz. Des étincelles ou des flammes peuvent causer un incendie, une explosion, des dommages matériels, des blessures graves ou la mort.

**AVERTISSEMENT !** Vous devez utiliser le régulateur de pression et le tuyau flexible fournis avec cet appareil à gaz extérieur. Inspectez le tuyau avant chaque utilisation.





# Utilisation

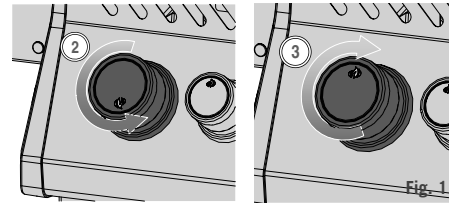
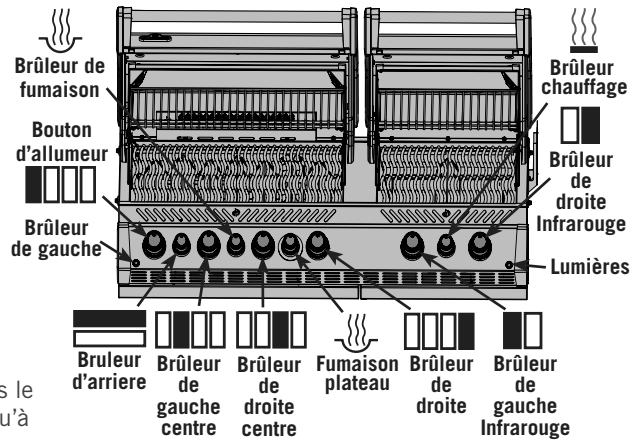
## ALLUMER VOTRE GRIL

### Est-ce la première fois? Effectuer un Burn-off

Enlevez la grille de réchauffement et faites fonctionner les brûleurs principaux à puissance maximale pendant 30 minutes. Il est normal que le gril à gaz dégage une odeur la première fois qu'il est allumé. Cette odeur est causée par le "brûlage" des peintures et lubrifiants internes utilisés dans le processus de fabrication et ne se reproduira plus.

### Éclairage du brûleur principal

1. Ouvrir le couvercle du gril.
2. Poussez et tournez lentement le bouton du brûleur principal dans le sens inverse des aiguilles d'une montre, en position HAUTE jusqu'à ce que la veilleuse s'allume. Continuez d'appuyer sur le bouton de commande jusqu'à ce que le brûleur s'allume, puis relâchez-le.
3. La veilleuse ne s'allume pas - tourner immédiatement le bouton de commande dans le sens des aiguilles d'une montre jusqu'à la position OFF. Répétez l'étape 2.
4. La veilleuse et le brûleur ne s'allument pas en 5 secondes - tournez la commande, dans le sens des aiguilles d'une montre jusqu'à la position OFF. Attendez 5 minutes pour que l'essence s'écoule, se dissipe. Répétez les étapes 2 et 3 ou allumez avec une allumette. (Fig. 1)

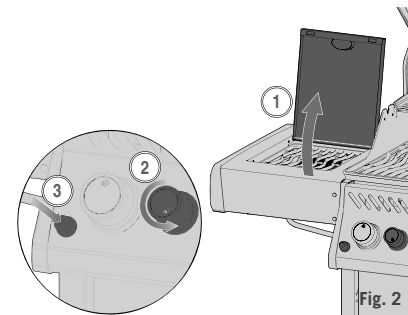


**ATTENTION!** Ne pas utiliser le brûleur arrière pendant le fonctionnement du brûleur principal.



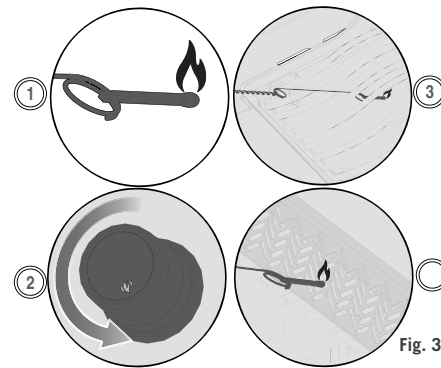
### Éclairage du brûleur arrière (si équipé)

1. Ouvrir le couvercle du gril.
2. Retirer la grille de réchauffement.
3. Poussez et tournez lentement le bouton du brûleur arrière dans le sens inverse des aiguilles d'une montre jusqu'à la position HAUTE.
4. Appuyez et maintenez enfoncé le bouton de l'allumeur jusqu'à ce que le brûleur s'allume, ou allumez par allumette.
5. Le brûleur ne s'allume pas - tourner le bouton de commande du brûleur dans le sens des aiguilles d'une montre jusqu'à la position OFF. Attendez 5 minutes. Répétez l'étape 3 et 4. (Fig. 1)



### Éclairage du brûleur latéral (si équipé)

1. Ouvrez le couvercle du brûleur.
2. Poussez et tournez lentement le bouton du brûleur latéral dans le sens inverse des aiguilles d'une montre jusqu'à la position HAUTE.
3. Appuyez et maintenez enfoncé le bouton de l'allumeur jusqu'à ce que le brûleur s'allume, ou allumez par allumette.
4. Le brûleur ne s'allume pas - tourner le bouton de commande du brûleur dans le sens des aiguilles d'une montre jusqu'à ce que la position OFF. Attendez 5 minutes. Répétez l'étape 2 et 3. (Fig. 2)



### Éclairage à l'aide d'une allumette

1. Fixer l'allumette dans le support fourni. tige d'éclairage.
2. Passer l'allumette allumée à travers les grilles de cuisson et saisir les plaques en tournant le brûleur correspondant le bouton de réglage est trop haut. (Fig. 3)



**ATTENTION!** Assurez-vous que le couvercle de le gril est OUVERT pendant l'allumage.

**ATTENTION!** Assurer tout le brûleur les commandes sont en position OFF avant d'ouvrir lentement la vanne d'alimentation en gaz.

**ATTENTION!** Suivez attentivement les instructions d'éclairage.

**ATTENTION!** Ne pas ajuster les grilles de cuisson lorsque le gril est chaud ou en fonctionnement.



## INSTRUCTIONS DE GRILLAGE

### Utilisation du brûleur principal

- Préchauffer le grill avant de saisir les aliments en faisant fonctionner tous les brûleurs principaux à température élevée avec le couvercle fermé pendant environ 10 minutes.
  - Les aliments cuits pendant une courte période, comme le poisson et les légumes peuvent être grillés avec le couvercle ouvert.
  - Griller avec le couvercle fermé assure des températures plus élevées et constantes qui permettent de cuire la viande plus uniformément et de réduire le temps de cuisson.
  - Les grilles de cuisson peuvent être huilées avant le préchauffage pour réduire l'adhérence lors de la cuisson de viandes maigres telles que poitrine de poulet ou de porc.
  - Les aliments qui prennent plus de 30 minutes, comme les rôtis, peuvent être cuits indirectement avec le brûleur allumé en face de l'aliment. Voir Grillage indirect.
- Enlever l'excès de gras de la viande pour éviter les poussées ou réduire la température du grill.
  - Fusées éclairantes - éloignez les aliments des flammes et réduisez la quantité d'aliments qui y sont brûlés la chaleur. Laissez le couvercle ouvert.

#### GRILLAGE CONSEIL!

Utiliser un thermomètre pour vérifier la température interne de viande pour assurer sa cuisson parfaitement.

#### GRILLAGE CONSEIL!

Ajouter un Napoléon accessoire fumeur à votre grill pour aromatiser votre viande.

### Grillage direct

Cette méthode est souvent utilisée pour la cuisson à la poêle ou pour les aliments cuits peu de temps comme les hamburgers, les steaks, le poulet ou les légumes.

Placer les aliments sur les grilles de cuisson directement sur le feu.

Saisir d'abord la viande pour emprisonner le jus et la saveur.

Baisser la température du grill pour terminer la cuisson selon vos préférences.

### Grillades indirectes

Cette méthode utilise des températures plus basses et fait circuler la chaleur autour des aliments en les cuisant lentement et uniformément.

Utilisez cette méthode pour cuire de plus grosses coupes de viande ou des aliments sujets aux poussées comme le rôti, le poulet ou la dinde.

Allumez un ou plusieurs brûleurs et placez les aliments sur la grille de cuisson là où il n'y a pas de flamme ou le brûleur est allumé.

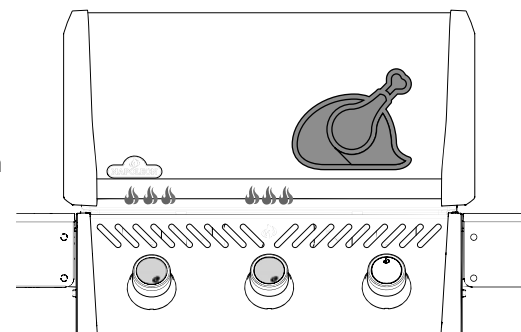
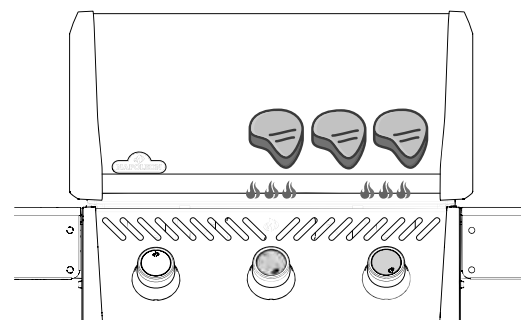
Griller à une température plus basse et cuire plus lentement permet d'obtenir des viandes plus tendres.

### Utilisation du brûleur principal infrarouge (si équipé)

Suivez les instructions d'allumage du brûleur principal et laissez agir à puissance maximale pendant 5 minutes avec le couvercle fermé ou jusqu'à ce que les brûleurs en céramique deviennent rouges.

Faites cuire les aliments directement sur la (les) grille(s) en suivant les instructions du Guide de grillade à l'infrarouge.

Les aliments peuvent être saisis sur le brûleur infrarouge, puis transférés sur les brûleurs principaux du grill pour terminer la cuisson à la chaleur directe ou indirecte, selon vos goûts et vos préférences.



**ATTENTION!** Ne faites jamais griller les aliments directement sur le brûleur latéral. Le brûleur latéral est conçu pour utiliser uniquement des casseroles et des casseroles.

**ATTENTION!** Ne fermez pas le couvercle du brûleur latéral lorsqu'il est en marche ou chaud.

**ATTENTION!** Ne faites pas frire les aliments sur le brûleur latéral. Cuisiner avec de l'huile peut être dangereux.



### Brûleur latéral de flamme (si équipé)

Le brûleur latéral à flamme peut être utilisé comme une plaque de cuisson pour faire de la sauce ou de la soupe.

Le diamètre recommandé du pot ou de la casserole est de 10" (25 cm).

Assurez-vous que votre gril à gaz se trouve dans un endroit à l'abri du vent ou de la pluie la performance du brûleur latéral sera affectée.

### Brûleur de fumoir (si équipé)

Placez une petite quantité de copeaux de bois sur la partie solide du plateau et suivez les instructions une petite quantité de copeaux de bois dans le plateau du fumoir et suivez les instructions "D'ALLUMAGE" à la "Allumer Votre Gril" on page 33 pour allumer le fumoir.

Différents types de bois produisent différents goûts (pomme, noix, noyer, hickory, etc.), et ils se déclinent en de multiples variations : morceaux, copeaux, poussière ou granulés.

Une bouffée de fumée suffit pour obtenir un bon goût fumé sur vos aliments, attention à la quantité de bois utilisée.

**!** **Important!** Trop de fumée laissera un dépôt de suie au goût désagréable sur la nourriture.

### Brûleur latéral infrarouge (si équipé)

Pour faire fonctionner le brûleur latéral, suivez les instructions d'allumage du brûleur latéral. La chaleur infrarouge fournit une surface de cuisson uniforme pour la cuisson des aliments lorsqu'elle est réglée à température élevée.

Pour cuire comme sur une cuisinière, utilisez une température plus basse avec des casseroles de 10" (25 cm) à 12" (30 cm) de diamètre, en prenant soin de ne pas couvrir plus de 75% de la surface.

Certains modèles de brûleurs latéraux sont équipés d'une grille de cuisson réglable en hauteur.

### Brûleur de puissance (si équipé)

Le brûleur de puissance possède 2 brûleurs concentriques. Utilisez des casseroles d'un diamètre minimum de 10 "(25 cm) lorsque vous utilisez le brûleur central et d'un minimum de 14" (35,5 cm) de diamètre lorsque vous utilisez le brûleur extérieur.

Pour la cuisson au wok, retirez l'anneau central de la grille de cuisson. Respectez les dimensions minimales des pots pour les brûleurs intérieurs et extérieurs.

Remarque: ne laissez jamais un brûleur allumé sans une casserole ou une casserole remplie au-dessus.

### Griller la Nuit

Allumez les boutons de commande en appuyant sur l'icône de l'ampoule sur le panneau de commande

Lorsqu'un brûleur fonctionne, le bouton correspondant devient rouge, tandis que le reste reste bleu.

#### CONSEIL DE GRILLAGE PRO!



Faites tremper les copeaux de bois avant la cuisson. Il brûlera lentement, ce qui augmentera la saveur fumée.

**ATTENTION!** Ne laissez pas d'aliments sans surveillance sur un brûleur allumé.

**ATTENTION!** Gardez le couvercle ouvert si le brûleur infrarouge principal est réglé sur haut pour éviter de brûler accidentellement des aliments.

**ATTENTION!** N'utilisez que du bois non traité ou acheté chez un revendeur Napoléon agréé.



## COMMENT UTILISER LE BRÛLEUR ARRIÈRE ET LA RÔTISSOIRE

### Assemblage de votre kit de rôtissoire (si équipé)

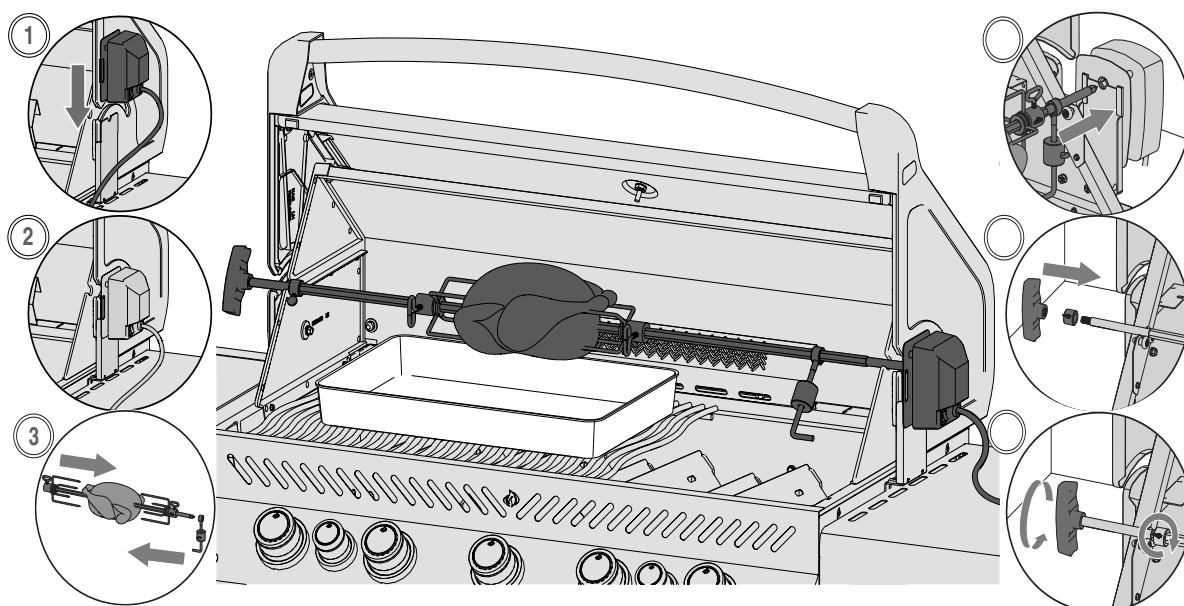
**Remarque:** Retirez la grille de réchauffage avant d'utiliser le brûleur arrière. crachat tige. Une chaleur extrême endommagera la grille de réchauffement.

1. Installez le moteur de la rôtissoire de chaque côté du gril à l'aide des supports (applicables) (certains modèles ont des supports pré-assemblés).
2. Une fois que le support a été fixé au gril, faites glisser le moteur de la rôtissoire sur le support.
3. Faites glisser la première fourchette de rôtissoire juste après le milieu de la tige de la broche et serrez en place. Enfilez la viande que vous cuisinez sur la tige de la broche et poussez la viande dans la fourchette. Faites glisser la deuxième fourchette à rôtir sur l'extrémité opposée de la broche et poussez la fourchette dans la viande jusqu'à ce qu'elle soit bien fixée. Serrez la fourchette en place.

4. Insérez avec précaution une extrémité de la tige dans le moteur de la rôtissoire et placez l'extrémité opposée sur les crochets. Le côté lourd de la viande pendra naturellement pour équilibrer la charge. Faites glisser la bague sur la tige de broche pour sécuriser les mouvements latéraux.
5. Faites glisser la douille d'arrêt sur la tige de la broche pour assurer le mouvement latéral de la tige de la broche.
6. Serrez la douille d'arrêt et la poignée de la tige du crachat. Placez un plat en métal sous la viande pour recueillir l'égouttement et commencer la cuisson.



**IMPORTANT!** Portez toujours des gants pour manipuler les éléments du gril.




### Conseils sur l'utilisation de la rôtissoire:

- Faites fonctionner le brûleur arrière en position haute jusqu'à ce que la viande brunisse. Réduire le feu. Garder le couvercle fermé. Cuisez bien.
- Utilisez un thermomètre pour vérifier la température interne de la viande.
- Les rôtis et la volaille doivent dorer à l'extérieur et rester tendres à l'intérieur.
- Utiliser les égouttures pour arroser et préparer la sauce.
- Un poulet de 3 livres prend environ 1 ½ heures sur la moyenne à élevée.
- Assurez-vous de toujours placer une charge uniformément équilibrée sur votre tournebroche.
- Assurez-vous de toujours équilibrer la charge de votre rôtissoire.

### Comment faire cuire plusieurs poulets:

1. Attachez ou brochez les ailes au corps des poulets.
2. Enfiler la fourchette à rôtir sur la broche à broche.
3. Enfiler le premier poulet sur la broche jusqu'à ce qu'il soit maintenu en place par la fourchette à rôtir.
4. Enfilez les 2 poulets suivants sur la tige de la broche pour que tous les poulets soient rapprochés.
5. Enfilez la deuxième fourchette de rôtissoire sur la tige du tournebroche et poussez-la dans le poulet jusqu'à ce que les 3 poulets soient bien serrés. Serrer. Tui condet cute, sulius, nos non in.

### AS TU SAVOIR?

 Vous pouvez retirer les grilles de cuisson si elles gênent la cuisson de gros morceaux de viande.

**ATTENTION!** Nettoyez régulièrement la graisse de l'ensemble de l'appareil, du bac à graisse et des plaques d'accrochage pour éviter toute accumulation. feux de graisse.

**ATTENTION!** Démontez les composants de la rôtissoire une fois la cuisson terminée, lavez-la à l'eau chaude savonneuse et rangez-la à l'intérieur.

**ATTENTION!** Utilisez des gants résistants à la chaleur pour manipuler les composants chauds de la rôtissoire.



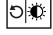
## RÉGLAGES LUMIÈRES

Détecteurs de mouvements et boutons, lampes foyer et chariot (si équipé)

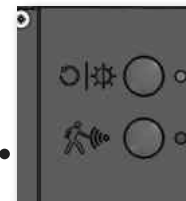


Poussez l'interrupteur situé sur le boîtier dans le cabinet sur ON.




Une LED rouge et une LED bleue vont s'allumer. Les réglages sont en mode par défaut.

**Luminosité:** pressez le bouton  afin de faire varier la luminosité entre haute (100%), médium (65%) et basse (35%).

La luminosité peut être ajustée seulement lorsque les boutons de contrôle sont en mode bleu ou blanc.



### Détecteur de mouvement:

- Les boutons et le logo resteront allumés tant qu'un mouvement sera détecté dans un rayon d'un mètre du barbecue. Ils s'éteindront automatiquement après 15 minutes d'inactivité.
- Lorsque le détecteur est sur le mode ON (indiqué par la LED bleue), vous pouvez allumer et éteindre les lampes du foyer et du chariot avec l'interrupteur .
- Pressez le bouton  sur le boîtier pour éteindre le détecteur. Toutes vos lumières sont désormais contrôlées grâce à l'interrupteur .
- Les lumières s'éteindront après deux heures. Si le détecteur est sur le mode OFF, les boutons et le logo s'éteindront également après deux heures.




### Mode D'Lumières

Mode par défaut

- Lumière du bouton mode bleu
- Détecteur ON


Modes d'éclairage des boutons

- Bleu ..... • La luminosité peut être ajustée.
- Blanc .....
- Vert - mode spectre de couleurs



**Sélectionnez le mode d'éclairage des boutons:** en maintenant l'interrupteur  pour passer du bleu au blanc puis au vert. Relâchez l'interrupteur une fois le mode désiré atteint

**Retournez en mode par défaut:** en maintenant pressé le bouton  pendant deux secondes.

### Choisir une couleur

- Lorsque le bouton est sur le mode vert (spectre de couleurs), les boutons vont lentement passer par toutes les couleurs du spectre, en commençant par le vert.
- Pressez rapidement  deux fois pour vous arrêter sur la couleur choisie
- Pressez deux fois à nouveau pour continuer à changer les couleurs

### Éclairage du logo allumé / éteint

- Les lumières du logo et les boutons fonctionnent généralement comme un ensemble, mais si vous souhaitez éteindre la lumière du logo en gardant les boutons allumés, vous pouvez le faire.
- **Double-cliquez sur le bouton**  pour éteindre le logo à tout moment. **Double-cliquez**  à nouveau pour le réactiver. Pressez deux fois à nouveau pour continuer à changer les couleurs
- Si l'appareil est éteint puis rallumé (interrupteur d'alimentation principal), le voyant du logo reviendra à son mode par défaut.



## LISTE DE CONTRÔLE DE GRILLING EXPERIENCE

Consultez cette liste à chaque fois que vous faites griller:

- Lisez le manuel du propriétaire**

Assurez-vous d'avoir lu le manuel du propriétaire et toutes les instructions de sécurité.

- Nettoyer le bac à graisse**

Assurez-vous toujours de nettoyer le bac à graisse avant de griller pour éviter les incendies et des poussées.

- Vérifiez le tuyau**

Assurez-vous que le gril à gaz est éteint et froid. Vérifiez le tuyau pour la preuve de abrasions ou coupures excessives. Faites remplacer le tuyau avant utilisation si le le tuyau est endommagé.

- Préchauffez et nettoyez les grilles**

Enduisez toute la surface des grilles avec de la graisse végétale, PAS des matières grasses salées comme beurre ou margarine. Préchauffez votre gril pour brûler les résidus. Nettoyer grilles avec une brosse en laiton. Voir la section Instructions de nettoyage. Voir les "Instructions de Nettoyage".

**REMARQUE:** les grilles de cuisson en acier inoxydable sont durables et résistantes à la corrosion et nécessitent moins d'assaisonnement et d'entretien que les grilles en fonte.

- Zone de préparation**

Assurez-vous que tout ce dont vous avez besoin pour cuisiner, comme vos ustensiles, les assaisonnements, les sauces et les plats sont à votre portée. Ne laissez pas votre nourriture sans surveillance, ou il pourrait brûler.

- Ne jetez pas un coup d'œil**

Essayez de ne pas trop ouvrir le couvercle et de ne pas trop regarder, sinon la chaleur s'échappera et fera baisser votre température et votre temps de cuisson. Ne retournez vos aliments qu'une seule fois, surtout le steak et le poulet..

- Laisser de l'espace**

Laissez un peu d'espace sur le gril et entre les aliments pour que vous ayez de la place pour déplacer les aliments si vous en avez besoin.

- Utilisez un thermomètre**

Utilisez un thermomètre pour vous assurer que les aliments sont bien cuits. Suivre la directives de températures appropriées pour tous les types de viande, en particulier la volaille.

### GRILLAGE CONSEIL!



Inspirez-vous des délicieuses recettes sur [www.napoleon.com](http://www.napoleon.com) et des livres de cuisine de Napoleon.

### GRILLAGE CONSEIL!



Préchauffez toujours le gril avant la cuisson pour éliminer les résidus et éviter que les aliments ne collent.

### SUGGESTION D'HUILE ET DE GRAISSE!



- L'huile de pépins de raisin
- Huile de tournesol
- L'huile de soja
- Huile d'olive extra vierge
- Huile de canola

Si non disponible, sélectionnez une huile ou une graisse qui a un taux de combustion élevé. N'utilisez pas de graisses salées comme le beurre ou la margarine.

### COMMENT ASSAISONNER VOS GRILLES DE CUISSON








Cette procédure DOIT être effectuée avant la première utilisation et répétée toutes les 3-4 utilisations pour que les grilles restent neuves.

1. Retirez les grilles en fonte du gril.
2. Lavez les grilles avec de l'eau savonneuse tiède et un chiffon doux. Séchez et laissez les grilles sécher complètement.
3. Appliquez la graisse / l'huile uniformément à l'aide d'une brosse en silicone des deux côtés.
4. Préchauffez l'appareil à 350°F - 400°F (176°C - 204°C).
5. Installez des grilles de cuisson et laissez cuire 30 minutes.
6. Appliquer une deuxième couche uniforme de graisse / huile sur les grilles de cuisson et cuire 30 minutes.
7. Les grilles sont maintenant assaisonnées.

**REMARQUE:** Si de la rouille s'est formée sur les grilles en fonte, retirez la rouille avec un tampon à récurer ou une brosse en laiton et répétez le processus d'assaisonnement.



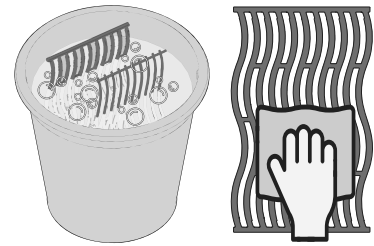
# Guides de grillades infrarouges

ALIMENTS	RÉGLAGE DU BOUTON DE COMMANDE	TEMPS DE CUISSON	SUGGESTIONS
 <b>Steak</b> <b>1 pouce (2,54 cm) d'épaisseur</b>	ÉLEVÉ - 2 minutes de chaque côté	Rare – 4 minutes	Demander de la graisse marbrée en coupe. Le gras est un attendrisseur naturel et garde la viande juteuse.
	HAUT à MOYEN - chauffer 2 minutes de chaque côté puis tourner à feu moyen	Moyen -6 minutes Bien cuit - 8 minutes	
 <b>Hamburger</b> <b>½ pouce (1,27 cm) d'épaisseur</b>	ÉLEVÉ - 2 minutes de chaque côté	Rare – 4 minutes	Garder les galettes de la même épaisseur pour des temps de cuisson égaux. Les galettes de 1 pouce d'épaisseur ou plus doivent être grillées à la chaleur indirecte.
	ÉLEVÉ - 2 1/2 minutes de chaque côté	Moyen -5 minutes	
	ÉLEVÉ - 3 minutes de chaque côté	Bien cuit - 6 minutes	
 <b>Poulet</b>	HAUT à MOYEN - chauffer 2 minutes de chaque côté puis tourner à feu moyen	20 – 25 minutes	Trancher l'articulation reliant la cuisse et la cuisse $\frac{3}{4}$ à travers pour que la viande repose à plat sur le brûleur et cuire uniformément.
 <b>Côtelettes de porc</b>	MOYEN	6 minutes de chaque côté	Choisissez des coupes épaisses pour une viande plus tendre. Enlever l'excès de gras.
 <b>Côtes levées</b>	HAUT à BAS - Élevé pour 5 minutes puis bas jusqu'à ce que fini	20 minutes de chaque côté en tournant souvent	Choisissez des côtes levées maigres et charnues. Griller jusqu'à ce que la viande se détache facilement de l'os.
 <b>Côtelettes d'agneau</b>	HAUT à MOYEN - Haut pendant 5 minutes puis Moyenne jusqu'à la fin	15 minutes de chaque côté	Choisissez des coupes épaisses pour une viande plus tendre. Enlever l'excès de gras
 <b>Saucisses</b>	MOYEN à FAIBLE	4 – 6 minutes	Choisir des saucisses fumées plus grosses et les fendre dans le sens de la longueur avant de les griller.

# Instructions de Nettoyage

## Première utilisation

1. Lavez les grilles à la main avec de l'eau et du savon doux pour enlever tout résidu du processus de fabrication. NE PAS laver dans un Lave-vaisselle.
2. Bien rincer à l'eau chaude et sécher complètement avec un chiffon doux pour empêcher l'humidité de pénétrer dans la fonte

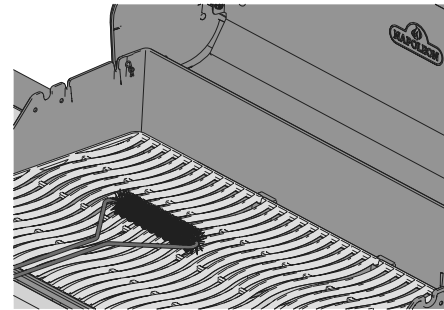


## Grilles en fonte

- Assaisonnez vos grilles pour ajouter un revêtement protecteur contre la corrosion. Voir Conseils de grillage - **Comment assaisonner vos grilles de cuisson.**

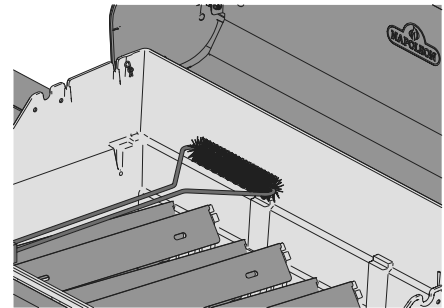
## Grilles en acier inoxydable

- Les grilles de cuisson en acier inoxydable peuvent être nettoyées en préchauffant le grill et en utilisant une brosse métallique pour enlever les résidus.
- Les grilles en acier inoxydable se décolorent de façon permanente lors d'une utilisation régulière en raison des températures élevées lors du grillage.



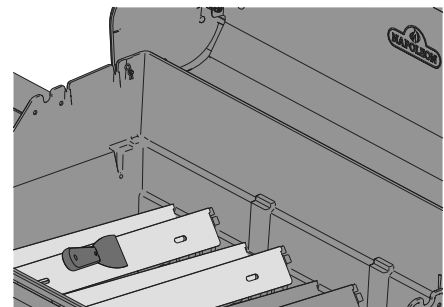
## Brûleur latéral infrarouge

- La plupart des matières grasses et des particules alimentaires tombant sur le brûleur infrarouge surface incinère immédiatement en raison de la chaleur de haute intensité.
- Ne nettoyez pas le carreau de céramique avec une brosse métallique.
- N'utilisez pas d'eau ou d'autres liquides pour nettoyer le brûleur. Un immédiat changement de température entraînera la fissuration du carreau de céramique.
- Allumez le brûleur et laissez-le fonctionner pendant 5 à 10 minutes pour éliminer tout résidu restant.



## À l'intérieur du grill

1. Retirez les grilles de cuisson.
2. Utilisez une brosse métallique en laiton pour nettoyer les débris détachés des côtés de la pièce coulée et sous le couvercle.
3. Grattez les plaques de brûlage avec un couteau à mastic ou un grattoir. Utilisez une brosse métallique enlever les cendres.
4. Retirez les plaques de brûlage et les débris de la brosse des brûleurs avec une brosse métallique.
5. Balayez les débris de l'intérieur du grill dans le bac d'égouttement.



**ATTENTION!** Débranchez la fiche de la rôtissoire de la prise lorsque le grill n'est pas utilisé.

**ATTENTION!** Portez toujours des gants de protection et des lunettes de sécurité lors du nettoyage de votre grill.

**ATTENTION!** L'accumulation de graisse est un risque d'incendie.

**ATTENTION!** Le nettoyage ne doit être effectué que lorsque le grill est froid pour éviter tout risque de brûlure.





## Tiroir D'égouttement

Chaque tête de grill, brûleur latéral et brûleur encastrable est muni d'un bac d'égouttement correspondant facilement accessible par les portes ou les ouvertures.

- La graisse et les excès de jus de cuisson s'accumulent dans le tiroir d'égouttement situé sous le grill à gaz et s'accumulent dans le bac à graisse jetable sous le plateau d'égouttement (le cas échéant).
- Utilisez uniquement des doublures approuvées Napoléon sur le bac d'égouttement. N'utilisez jamais de papier d'aluminium, de sable ou tout autre matériau non approuvé. Cela peut empêcher la graisse de couler correctement.
- Nettoyer fréquemment pour éviter l'accumulation de graisse -environ toutes les 4-5 utilisations.

Étapes de nettoyage:

1. Faites glisser le tiroir d'égouttement hors du grill pour accéder le récipient à graisse aluminium jetable ou pour nettoyer le tiroir d'égouttement.
2. Gratter le tiroir d'égouttement avec un grattoir ou un couteau a mastic.
3. Remplacez le récipient à graisse aluminium jetable, toutes les 2 à 4 semaines selon l'utilisation du grill. (le cas échéant)
4. Consultez votre détaillant de Napoleon Grill pour les pièces de remplacement.

## Panneau de Contrôle

Utilisez UNIQUEMENT de l'eau chaude savonneuse.

Le texte est imprimé directement sur le panneau de commande et s'efface progressivement si des nettoyeurs abrasifs ou l'acier inoxydable sont utilisés.

Un nettoyage adéquat du panneau de commande garantit que le texte reste sombre et lisible.

## Castings d'Aluminium

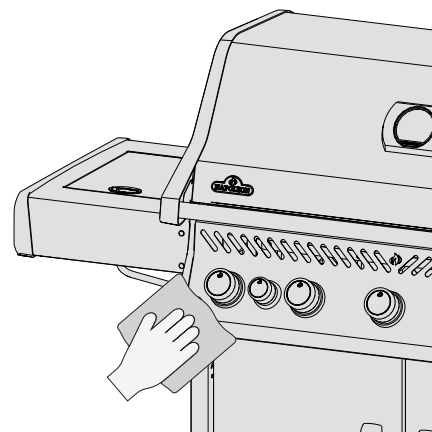
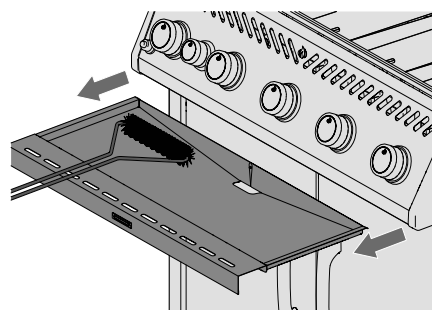
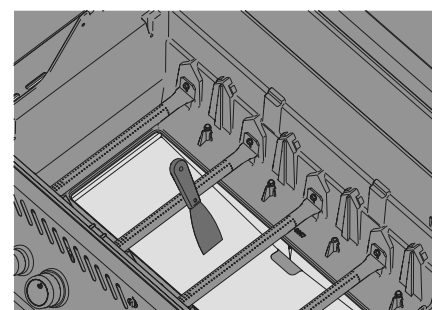
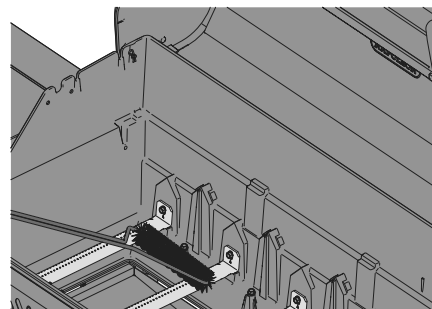
Nettoyer à l'eau tiède savonneuse. L'aluminium ne rouille pas, mais les températures élevées et les intempéries peuvent causer l'oxydation à la surface des pièces moulées qui ressemblent à des taches blanches.

Voir **"INSTRUCTIONS D'ENTRETIEN"** pour plus d'informations sur la façon de prévenir l'oxydation de l'aluminium.

## Surface extérieure du grill

Utilisez uniquement un nettoyant non abrasif pour l'acier inoxydable. Les nettoyeurs abrasifs ou la laine d'acier égratigneront le fini.

- Essuyez toujours dans le sens du grain.
- Manipulez les composants en émail porcelainé avec soin.
- La finition émaillée cuite au four est semblable à du verre et s'écaillera si elle est frappée.
- L'émail de retouche est disponible chez votre détaillant Napoleon Grill.
- Les pièces en acier inoxydable se décolorent avec le temps lorsqu'elles sont chauffées et deviennent dorées, ou de teinte brune. Ceci est normal et n'affectera pas la fonction la performance du grill.



**AVERTISSEMENT** ! Assurez-vous que tous les brûleurs sont éteints et que le grill est froid avant de le nettoyer. N'utilisez pas de nettoyant pour four pour nettoyer les une partie du grill. Ne mettez pas les grilles de cuisson ou toute autre partie du grill dans un four autonettoyant à nettoyer. Nettoyer le grill dans un endroit où la solution de nettoyage n'endommagera pas les terrasses, les pelouses ou les patios.

**AVERTISSEMENT** ! Le barbecue et le sel peuvent être corrosifs et causer une détérioration rapide des composants du grill à gaz à moins que nettoyés régulièrement.



### Nettoyage des araignées et des insectes du brûleur

Les araignées et les insectes sont attirés par les petits espaces.

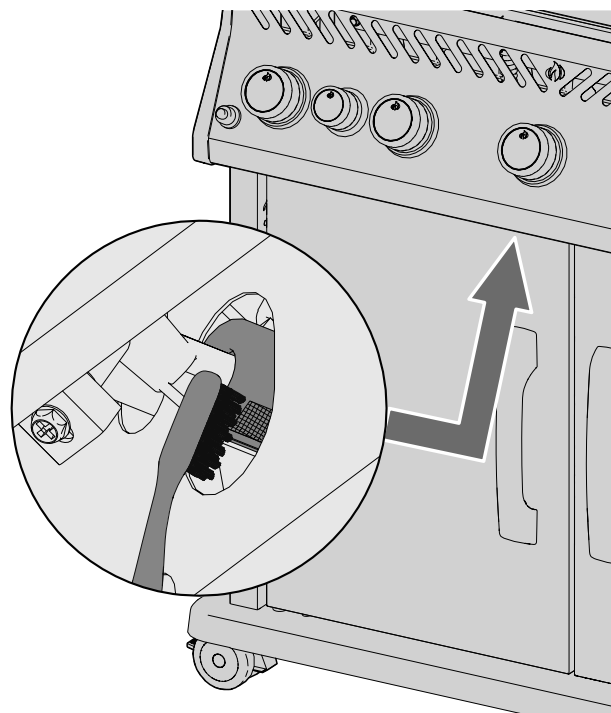
Le brûleur est équipé d'une moustiquaire sur le volet d'air, réduit la probabilité que des insectes construisent des nids à l'intérieur du brûleur, mais n'élimine pas le problème.

Un nid ou une toile peut faire brûler la flamme du brûleur d'un jaune tendre ou d'un jaune doux, orange et provoquer un incendie ou un retour de flamme au niveau de l'obturateur d'air situé en dessous de l'obturateur, panneau de contrôle.

1. Retirez la ou les vis qui fixent le brûleur à la paroi arrière de le grill. Faites glisser le brûleur vers l'arrière et vers le haut pour le retirer.
2. Utilisez une brosse à tube de venturi flexible pour nettoyer l'intérieur du brûleur.
3. Secouez les débris détachés du brûleur par l'entrée de gaz.
4. Vérifier si les orifices du brûleur et les orifices des vannes ne sont pas obstrués : brûleur peuvent se fermer avec le temps à cause des débris de cuisson et de la corrosion.
5. Utilisez un trombone ouvert ou le trépan d'entretien de port fourni pour nettoyer les orifices du brûleur.
6. Percer les orifices bloqués à l'aide de la mèche fournie dans un petit trou de perçage perceuse sans fil : cela peut être fait avec le brûleur fixé sur l'appareil, mais c'est plus facile si on le retire du grill.
7. Ne pas fléchir le foret lors du perçage des orifices car le foret se brisera.
8. Ce foret est destiné aux orifices de brûleur NON PAS pour les orifices en laiton qui régulent le débit de gaz vers le brûleur.
9. Ne pas agrandir les trous.
10. Assurez-vous que la moustiquaire est propre, serrée et exempte de peluches ou de peluches d'autres débris.
11. Inversez la procédure pour réinstaller le brûleur.
12. S'assurer que la soupape pénètre dans le brûleur lors de l'installation.
13. Remplacez le support de plaque de recherche et serrez les vis pour terminer la réinstallation.

#### LA SÉCURITÉ D'ABORD!

Portez toujours des gants de protection et des lunettes de sécurité lors de l'entretien de votre grill.



**ATTENTION!** Il est très important que la valve / l'orifice pénètre dans le tube du brûleur lors de la réinstallation du brûleur après nettoyage et avant d'allumer votre grill à gaz, sinon un incendie ou une explosion pourrait se produire.

**ATTENTION!** Évitez tout contact non protégé avec des surfaces chaudes.

**ATTENTION!** Ne pas utiliser de nettoyeurs abrasifs ni de laine d'acier sur les parties peintes, en porcelaine ou en acier inoxydable de votre grill à gaz, car il va rayer la finition.



# Consignes D'Entretien

## Recommandations

Ce gril doit être minutieusement inspecté et entretenu annuellement par un technicien qualifié.

- Ne pas obstruer le flux de ventilation et d'air de combustion.
- Conservez les ouvertures de ventilation de l'enceinte du cylindre situées sur le côté du chariot et à l'avant et à l'arrière de la tablette inférieure. clair des débris.

**ATTENTION !** Gardez le gril à gaz à l'écart des matières combustibles, de l'essence et des autres vapeurs inflammables.

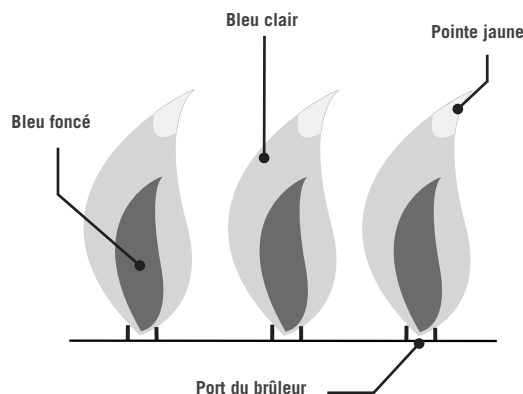


## COMBUSTION EN RÉGLAGE D'AIR



**IMPORTANT!** Ceci doit être fait par un installateur de gaz qualifié.

- L'obturateur d'air est réglé en usine et ne nécessite aucun réglage sous des conditions normales. Des ajustements peuvent être nécessaires sous conditions de terrain extrêmes.
- Les flammes de l'obturateur d'air seront bleu foncé, avec une pointe de lumière bleu et parfois jaune lorsqu'il est ajusté correctement.
- Un débit d'air trop faible vers le brûleur produira de la suie et un jaune paresseux. flammes.
- Trop de flux d'air vers le brûleur provoquera une montée irrégulière des flammes et causera des difficultés enflammées.



## Réglage de l'obturateur d'air

1. Retirez les grilles de cuisson et les plaques de cuisson. Laisser le couvercle ouvert.
2. Vous devrez peut-être ouvrir la porte du meuble ou retirer le tiroir du haut (si équipé) pour accéder à la vis d'obturation d'air située à l'embouchure du le brûleur.
3. Retirez le capot arrière pour régler l'obturateur d'air du brûleur à tube arrière.
4. Desserrer la vis de blocage de l'obturateur d'air et ouvrir ou fermer l'obturateur d'air Champs obligatoires. (Fig. 1)
5. Allumez les brûleurs en haut.
6. Inspectez visuellement les flammes du brûleur.
7. Éteignez les brûleurs, serrez les vis de blocage et remplacez les pièces retirées. lorsque les volets sont réglés correctement.
8. Assurez-vous que les moustiquaires sont installées.

**Remarque:** Les brûleurs infrarouges ne disposent d'aucun réglage d'air.

**NOUS VOULONS AIDER!**



Contactez le service client  
Napoléon partager.  
1-866-820-8686.

Modèle	Type de Gaz	Brûleur Principal	Tube Brûleur Arrière	Brûleur de Fumeur	Réchauffeur Brûleur
PRO 500	Propane	1/2" (13mm)	Complètement ouvert	-	-
	Gaz Naturel	3/8" (10mm)	1/8" (3mm)	-	-
PRO 665	Propane	1/2" (13mm)	Complètement ouvert	1/8" (3mm)	-
	Gaz Naturel	3/8" (10mm)	1/8" (3mm)	1/16" (1.6mm)	-
PRO 825	Propane	1/2" (13mm)	Complètement ouvert	1/8" (3mm)	1/8" (3mm)
	Gaz Naturel	3/8" (10mm)	1/8" (3mm)	1/16" (1.6mm)	1/16" (1.6mm)

Fig. 1

## ACIER INOXYDABLE DANS DES ENVIRONNEMENTS DIFFICILES

L'acier inoxydable oxyde ou se tache en présence de chlorures et sulfures, en particulier dans les régions côtières, les zones chaudes et très humides, et autour des piscines et des spas. Ces taches ressemblent à de la rouille, mais elles peuvent être facilement éliminées ou empêchées. Laver les surfaces en acier inoxydable et en chrome toutes les 3-4 semaines.

### Entretien du brûleur

- Une chaleur extrême et un environnement corrosif peuvent causer de la corrosion de surface même si le brûleur est fait d'acier inoxydable 304 à paroi épaisse.

### Entretien et protection des brûleurs infrarouges

Vos brûleurs infrarouges sont conçus pour offrir une longue durée de vie, mais vous devez faire attention à ne pas fissurer leurs surfaces céramiques, car des fractures pourraient causer un mauvais fonctionnement des brûleurs.



**IMPORTANT !** Les dommages causés par le non-respect de ces instructions ne sont PAS couverts par la garantie de votre grill.

### Remplacement des ampoules halogènes (si équipé)

1. Retirez la vis de fixation du boîtier en place.
2. Retirez l'objectif et le support métallique du boîtier.
3. En portant des gants de protection, retirez doucement l'ancienne ampoule de la douille et remplacez-la par la nouvelle.
4. Réinstallez la lentille dans le boîtier et repliez les languettes à l'avant pour la remettre en.

### Étapes pour éviter d'endommager les surfaces céramiques

1. Ne jamais éteindre une flamme ou contrôler les flammes avec de l'eau.
2. Ne laissez pas de l'eau froide (pluie, gicleur, tuyau d'arrosage, etc.) entrer en contact avec des brûleurs en céramique chaude. Un changement immédiat de température provoquera la fissuration du carreau de céramique.
3. Un brûleur en céramique qui se mouille avant d'être utilisé créera de la vapeur lorsqu'il sera utilisé plus tard et produira une pression qui fissurera la céramique.
4. Un trempage répété de la céramique peut la faire gonfler et se dilater, ce qui produit une pression qui fera craquer et s'effriter la céramique.
5. Inspectez la céramique pour voir si elle peut être imbibée d'eau si vous constatez qu'elle est sur pied. de l'eau dans le grill. Retirez le brûleur si la céramique est humide. Tournez-la à l'envers pour évacuer l'excès d'eau. Faites sécher la céramique à l'intérieur à fond.
6. Ne laissez pas d'objets durs frapper le brûleur. Soyez prudent lorsque l'insertion ou le retrait des grilles de cuisson et l'utilisation d'accessoires.

### Dégagement pour la ventilation de l'air chaud du grill

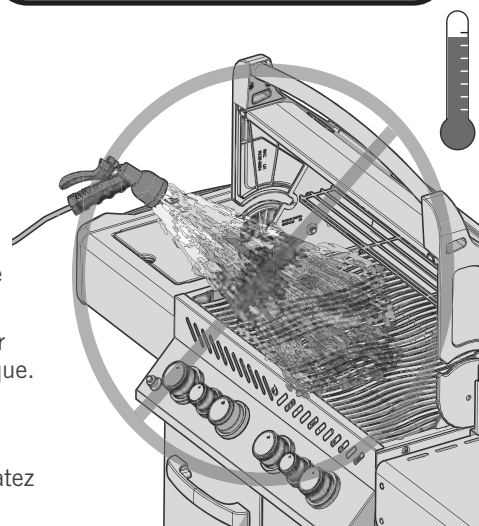
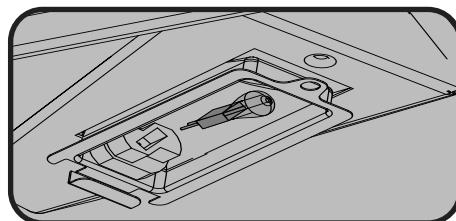
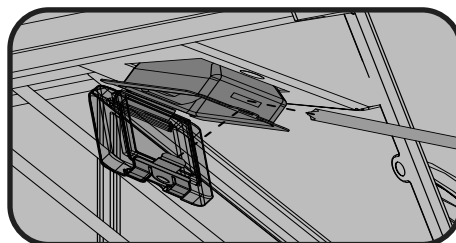
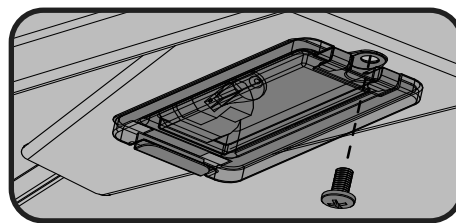
- L'air chaud doit avoir un moyen d'échapper au grill pour que les brûleurs fonctionnent correctement.
- Les brûleurs peuvent se priver d'oxygène si l'air chaud ne peut pas s'échapper, ce qui les mettra à clignoter. La céramique peut se fissurer si cela se produit à plusieurs reprises.

**ATTENTION!** L'entretien ne doit être effectué que lorsque le grill est froid afin d'éviter tout risque de brûlure.

**ATTENTION!** Vérifiez que le tuyau ne présente pas de signes d'abrasion, de fonte, de coupures ou de fissures excessives. Remplacé par votre revendeur Napoleon Grill ou un installateur de gaz qualifié.

**ATTENTION!** Un test d'étanchéité doit être effectué annuellement et chaque fois qu'un composant de la chaîne de gaz est remplacé, ou quand une odeur de gaz est présente.

**ATTENTION!** Portez toujours des gants de protection lorsque vous changez l'ampoule halogène de votre grill.



### LA SÉCURITÉ D'ABORD!



Ne recouvrez jamais plus de 75 % de la surface de cuisson d'un brûleur principal ou latéral avec du métal solide (p. ex. des plaques de cuisson ou des poêles).

# Le Diagnostic des Anomalies

## Problèmes d'éclairage

- Les brûleurs principaux, arrière ou latéraux ne s'allumeront pas avec l'allumeur, mais s'allumeront avec une allumette.
- Les brûleurs ne se croisent pas.

	Causes possibles	Solution
Brûleur principal	La sortie JETFIRE est sale ou bouchée	Nettoyez la sortie JETFIRE avec une brosse à poils doux.
	Supports croisés sales ou corrodés.	Nettoyez ou remplacez au besoin.
Arrière et latéral Brûleurs	Batterie déchargée ou mal installée	Remplacez-la par une batterie premium ultra-résistante
	Fil d'électrode desserré ou fils de borne de commutateur.	Vérifiez que le fil de l'électrode est fermement enfoncé sur la borne du arrière de l'allumeur. Vérifiez les fils conducteurs du module au les contacteurs d'allumage (le cas échéant) sont fermement enfoncés dans leurs logements respectifs. terminaux.
	Soulèvement des flammes sur le brûleur.	Fermer le volet d'air conformément aux instructions de ce manuel du propriétaire. <b>IMPORTANT!</b> Cela doit être fait par un installateur de gaz qualifié.

## Bruits et éruptions

- Régulateur de ronflement.
- Flambées excessives et chaleur inégale.

Causes possibles	Solution
Un bourdonnement normal par temps chaud.	Ce n'est pas un défaut. C'est causé par les vibrations internes du régulateur et n'affecte pas les performances ou la sécurité du gril à gaz. Les régulateurs de bourdonnement NE SERONT PAS remplacés
Le robinet de la bouteille a été ouvert trop rapidement.	Ouvrir le robinet de la bouteille lentement
Plaques de saisir mal installées.	Assurez-vous que les plaques d'accrochage sont installées avec des trous vers l'avant, et les fentes sur le bas. Voir le manuel " <b>D'instructions de montage</b> ".
Chauffage inapproprié.	Préchauffez le gril avec les deux brûleurs principaux à puissance maximale pendant 10 à 15 minutes.
Une accumulation excessive de graisse et de cendres sur les plaques de brûlage et au goutte à goutte la poêle.	Nettoyez les plaques de cuisson et le bac d'égouttage régulièrement. Ne pas aligner pan avec Papier d'aluminium. Reportez-vous aux " <b>Instructions de nettoyage</b> ".

## Problèmes d'éclairage

- Les ampoules halogènes du four ne fonctionnent pas
- Les voyants du panneau de commande ne fonctionnent pas

Causes possibles	Solution
L'unité n'est pas connectée à l'alimentation	Branchez le cordon d'alimentation (de la prise de courant protégée par GFI) dans le boîtier électrique à l'arrière du gril. Branchez le cordon du transformateur dans le boîtier d'alimentation.
Fusible grillé	Remplacez le fusible situé sur la ligne de sortie du transformateur.
Transformateur défectueux	Vérifiez la sortie du transformateur - devrait être 12VAC. Remplacez si nécessaire.
Les bornes du commutateur ou de la carte de circuits imprimés sont corrodées ou desserrées	Nettoyez les connexions et assurez-vous que les connecteurs sont fermement enfoncés. L'accès à la carte de circuit est sous le couvercle électrique sur le côté gauche de l'armoire.
Ampoules halogènes soufflées (lampes de four uniquement)	Remplacez les ampoules conformément aux instructions de la section ' <b>Instructions d'entretien</b> ' - Remplacement des ampoules halogènes du four de ce manuel du propriétaire.

**ENREGISTREZ VOTRE GRIL!**



Aller à [Napoleon.com](http://Napoleon.com) ou votre guide d'assemblage pour les pièces de rechange.

**NOUS VOULONS AIDER!**



Napoléon est là pour assurer votre expérience de griller est mémorable. Contactez nous si vous avez besoin de plus Aidez-moi.

### Flux du gaz

- Faible chaleur ou flamme basse lorsque la vanne est trop haute.
- Les brûleurs brûlent avec une flamme jaune, accompagnés d'une odeur de gaz.
- Les flammes se détachent du brûleur, accompagnées d'une odeur de gaz et d'éventuelles difficultés d'éclairage.
- La sortie du brûleur est sur HIGH, mais le réglage est BAS. Bruit sourd et flammes bleues flottant à la surface du brûleur.

Causes possibles	Solution
Propane - procédure d'éclairage inadéquate Détendeur de propane à faible débit.	Assurez-vous que la procédure d'allumage est suivie attentivement. Toutes les vannes à gaz doivent être en position OFF lorsque la valve du réservoir est ouverte. Tourner le réservoir lentement pour permettre à la pression d'égaliser. Voir Fonctionnement - <b>Éclairage Instructions</b>
Gaz naturel - conduite d'alimentation sous-dimensionnée.	Le tuyau doit être dimensionné conformément au code d'installation.
Fuite du joint entourant le carreau de céramique ou une soudure défectueuse dans le boîtier du brûleur.	Laisser le brûleur refroidir et inspecter très attentivement les fissures. Contacter votre revendeur agréé Napoléon pour commander un brûleur de remplacement assemblage si des fissures sont trouvées.
Gaz propane et gaz naturel - préchauffage inapproprié.	Préchauffez le gril avec les deux brûleurs principaux à puissance maximale pendant 10 à 15 minutes.
Possible toile d'araignée ou d'autres débris.	Nettoyez soigneusement le nid ou les toiles de l'orifice de votre brûleur en retirez-le et suivez les consignes d'entretien
Mauvais réglage de l'obturateur d'air.	Ouvrez ou fermez légèrement le volet d'air conformément aux instructions <b>IMPORTANT!</b> Cela doit être fait par un installateur de gaz qualifié.
Manque de gaz	Vérifiez le niveau de gaz dans la bouteille de propane.
Le tuyau d'alimentation est pincé.	Repositionnez le tuyau d'alimentation si nécessaire
Régulateur de propane à faible débit	Éteignez les brûleurs et fermez la soupape du réservoir, attendez une minute avant de rouvrir complètement la soupape, laissez quelques secondes pour que la pression s'équilibre avant de suivre les instructions d'allumage pour démarrer le gril. Veillez à ce que la procédure d'allumage soit suivie avec soin chaque fois que vous cuisinez. Toutes les vannes de gaz doivent être éteintes lorsque la vanne du réservoir est mise en marche. Ouvrez toujours la vanne du réservoir lentement.

### Le brûleur infrarouge clignote

- En cours de fonctionnement, le brûleur émet brusquement un bruit sourd, suivi d'un son continu du type torche et devient faible ou a une grande flamme au démarrage.

Causes possibles	Solution
Carreaux de céramique surchargés de graisse et d'accumulation de graisse. Les ports sont bouchés	Tournez le brûleur sur OFF et laissez-le refroidir pendant au moins 2 minutes. Reignite brûler à feu ÉLEVÉ pendant au moins 5 minutes ou jusqu'à ce que les carreaux de céramique brillent uniformément de rouge.
Le brûleur a surchauffé en raison d'une ventilation inadéquate. Aussi beaucoup de surface de gril couverte par une plaque chauffante ou une casserole.	Assurez-vous que pas plus de 75% de la surface du gril est recouverte d'objets ou des accessoires. Éteignez le brûleur et laissez-le refroidir au moins 2 minutes. Reignite.
Fuite du joint entourant le carreau de céramique ou une soudure défectueuse dans le boîtier du brûleur	Laisser le brûleur refroidir et inspecter très attentivement les fissures. Contact votre revendeur agréé Napoléon pour commander un brûleur de remplacement assemblage si des fissures sont trouvées.

### Peinture écaillée

- La peinture semble se décoller à l'intérieur du couvercle ou de la cagoule.

Causes possibles	Solution
Accumulation de graisse sur les surfaces intérieures.	Ce n'est pas un défaut. La finition sur le couvercle et la hotte est en porcelaine, et ne pèle pas. Le pelage est causé par la graisse durcie, qui sèche en éclats de peinture ressemblant à des éclats. Nettoyage régulier sera empêcher cela. Voir les " <b>Instructions de nettoyage</b> ".

# GARANTIE À VIE LIMITÉE DE NAPOLÉON

## POUR LES MODÈLES PRESTIGE®, PRESTIGE PRO<sup>MD</sup> ET ENCASTRÉS

Les produits Napoléon sont conçus avec des composants et des matériaux de qualité supérieure, assemblés par des artisans qualifiés qui sont fiers de leur travail. Le brûleur et le montage de la soupape subissent un test de détection de fuites et d'allumage à une station de contrôle de la qualité. Ce gril a été soigneusement inspecté par un technicien qualifié avant d'être emballé et expédié pour garantir que vous, le client, recevez le produit de qualité dont vous vous attendez de Napoléon. Merci d'avoir choisi un produit Napoléon. Napoléon (Wolf Steel Ltée, Barrie, ON, Canada) garantit que les composants de votre nouveau produit Napoléon seront exempts de défauts de matériau ou de fabrication à compter de la date de l'achat, pour une durée de 15 ans.



Hotte .....	À vie
Couvercle en acier inoxydable .....	À vie
Couvercle en porcelaine émaillée .....	À vie
Pièces en fonte d'aluminium .....	À vie
Grilles de cuisson en acier inoxydable .....	À vie
Brûleurs tubulaires en acier inoxydable .....	À vie
Plaques de brûleur en acier inoxydable .....	15 ans
Grilles de cuisson en fonte émaillée .....	15 ans
Brûleur arrière infrarouge en acier inoxydable .....	15 ans
Brûleurs de cuve/latéral infrarouges .....	15 ans
Toutes les autres pièces .....	15 ans

### CONDITIONS ET LIMITATIONS :

La présente garantie limitée couvre une période de garantie telle que spécifiée dans le tableau ci-dessus pour tout produit acheté par l'entremise d'un détaillant autorisé Napoléon, et donne droit à l'acheteur d'origine (ou au destinataire du cadeau dans le cas où un nouveau produit est offert en cadeau) à la couverture spécifiée relativement à tout composant remplacé durant la période de garantie, que ce soit par Napoléon ou un détaillant autorisé Napoléon, pour le remplacement de tout composant qui présente une défaillance dans le cadre d'un usage privé normal à la suite d'un défaut de fabrication. Cette garantie ne couvre pas les accessoires ou les articles en prime.

Il est entendu que l'« usage privé normal » d'un produit signifie que le produit : a été installé (le cas échéant) par un technicien de service ou entrepreneur certifié, conformément aux instructions d'installation incluses avec le produit et à tous les codes locaux et nationaux du bâtiment et de prévention des incendies; a été adéquatement nettoyé et entretenu conformément aux instructions; et n'a pas été utilisé dans une application à usage collectif ou commercial. Dans des applications à usage collectif ou commercial (lorsqu'elles sont approuvées), la garantie est réduite à une période de deux (2) ans.

De la même manière, « défaillance » n'inclut pas : les dommages causés par une surchauffe, les extinctions causées par des conditions environnementales telles que des vents forts ou une ventilation inadéquate, les égratignures, les bosses, la corrosion, la détérioration des finis peints et plaqués, la décoloration due à la chaleur, aux nettoyants abrasifs ou chimiques ou à l'exposition à des rayons UV, l'écaillage des pièces en porcelaine émaillée ou les dommages causés par un mauvais usage, un accident, la grêle, des feux de graisse, un manque d'entretien et de nettoyage, un environnement inadéquat tel que le sel ou le chlore, des altérations, des abus, des négligences ou des pièces installées par d'autres fabricants. Si vous vivez en zone côtière, ou que votre produit est situé près d'une piscine ou d'un spa, l'entretien comprend le lavage et le rinçage réguliers des surfaces externes, comme indiqué dans le manuel d'utilisation du produit, afin de prévenir la corrosion de surface. Dans le cas d'une détérioration des composants causant le mauvais fonctionnement de l'appareil (perforation par la rouille ou la surchauffe) pendant la période couverte par la garantie, les pièces de rechange seront fournies par Napoléon. Les pièces remplacées en vertu de cette garantie, ne sont garanties que pour le reste de la période de garantie mentionnée dans le tableau ci-dessus.

Les composants de rechange relèvent de la seule responsabilité de Napoléon telle que définie par la présente garantie; en aucun cas, Napoléon ne saurait être tenu responsable de l'installation, de la main-d'œuvre ou de tous autres coûts ou dépenses relatifs à la réinstallation d'une pièce garantie, de tous dommages accessoires, consécutifs ou indirects ni de tous frais de manutention et de transport, ou taxes d'exportation.

# GARANTIE À VIE LIMITÉE DE NAPOLÉON

## POUR LES MODÈLES PRESTIGE<sup>®</sup>, PRESTIGE PRO<sup>MD</sup> ET ENCASTRÉS

L'utilisation ou l'installation de pièces autres que des pièces d'origine Napoléon sur votre produit Napoléon annulera cette garantie, et tout dommage qui en résulterait n'est pas couvert par cette garantie. Toute conversion de gril à gaz non autorisée par Napoléon et effectuée par un technicien de service autorisé Napoléon annulera cette garantie.

La présente garantie limitée vient s'ajouter à tous les droits qui vous sont accordés par la législation locale. Ces droits et d'autres droits légaux ne sont pas affectés par les dispositions relatives à cette garantie. Par conséquent, la présente garantie limitée n'impose pas à Napoléon l'obligation de garder des pièces en stock. En fonction de la disponibilité des pièces, Napoléon peut, à sa discrétion, se libérer de toute obligation en fournissant à un client un crédit au prorata applicable à un nouveau produit. Napoléon peut de temps à autre améliorer la conception de ses produits. Aucune disposition de la présente garantie ne doit être interprétée comme une obligation pour Napoléon d'incorporer ces améliorations de conception dans des produits fabriqués antérieurement, et ces améliorations ne doivent pas être interprétées comme un aveu que les conceptions précédentes étaient défectueuses.

En enregistrant votre produit Napoléon, votre couverture de garantie est confirmée. Cela permet d'accélérer les réclamations de garantie et de fournir un lien entre vous et Napoléon dans l'éventualité où nous devons vous contacter. Lors d'une réclamation au titre de la garantie, les représentants de Napoléon peuvent vous demander de fournir la facture ou une copie ainsi qu'un numéro de série et un numéro de modèle. Napoléon se réserve le droit de demander à son représentant d'inspecter tous produits ou pièces avant d'honorer toute réclamation. Pour pouvoir bénéficier de la couverture de garantie, vous devez contacter le service à la clientèle de Napoléon ou un détaillant autorisé Napoléon.