

# Broil King®

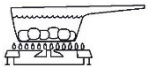
ASSEMBLY MANUAL & PARTS LIST - MANUEL DE MONTAGE & LISTE DE PIÈCES - MANUAL DE ARMADO Y LISTA DE PARTES



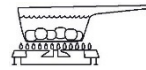
**Broil King.**  
BARON 320 PRO  
8742-14  
8742-17  
BARON 320  
8742-54  
8742-57



**Broil King.**  
BARON S320 PRO  
8743-14  
8743-17  
BARON S320  
8743-54  
8743-57



**Broil King.**  
BARON 340 PRO  
8742-24  
8742-27  
BARON 340  
8742-64  
8742-67



**Broil King.**  
BARON S340 PRO  
8743-24  
8743-27  
BARON S340  
8743-64  
8743-67


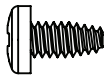
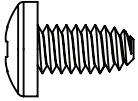
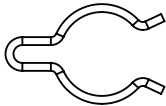
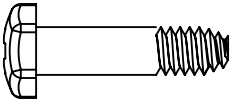
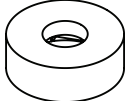
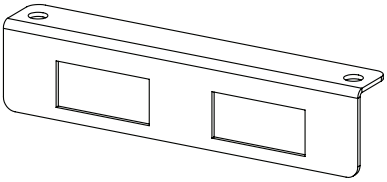
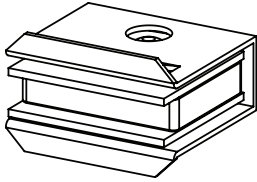
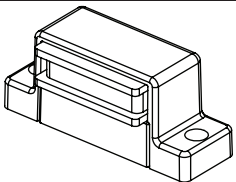
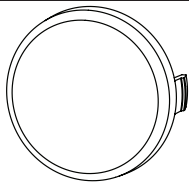
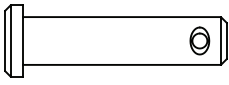
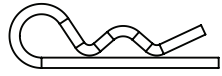
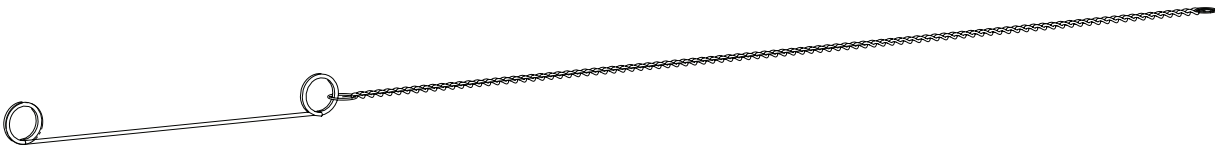
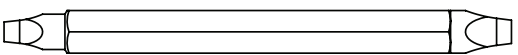

RETAIN FOR FUTURE REFERENCE - VEUILLEZ CONSERVER POUR REFERENCE ULTERIEURE - CONSERVER PARA FUTURAS CONSULTAS

*Onward*  
MANUFACTURING COMPANY LIMITED  
SINCE 1906  
585 KUMPF DRIVE  
WATERLOO, ONTARIO, CANADA  
N2V 1K3

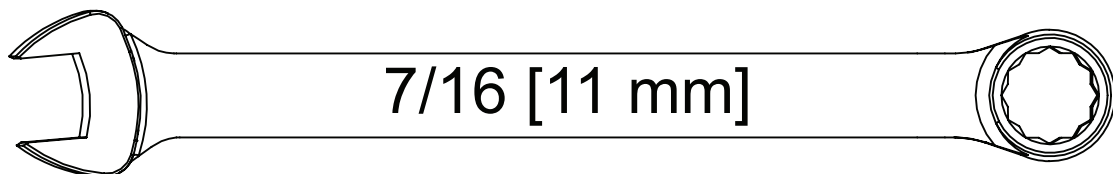
info@omcbbq.com  
1-800-265-2150

50084-E60 REV A 08/20

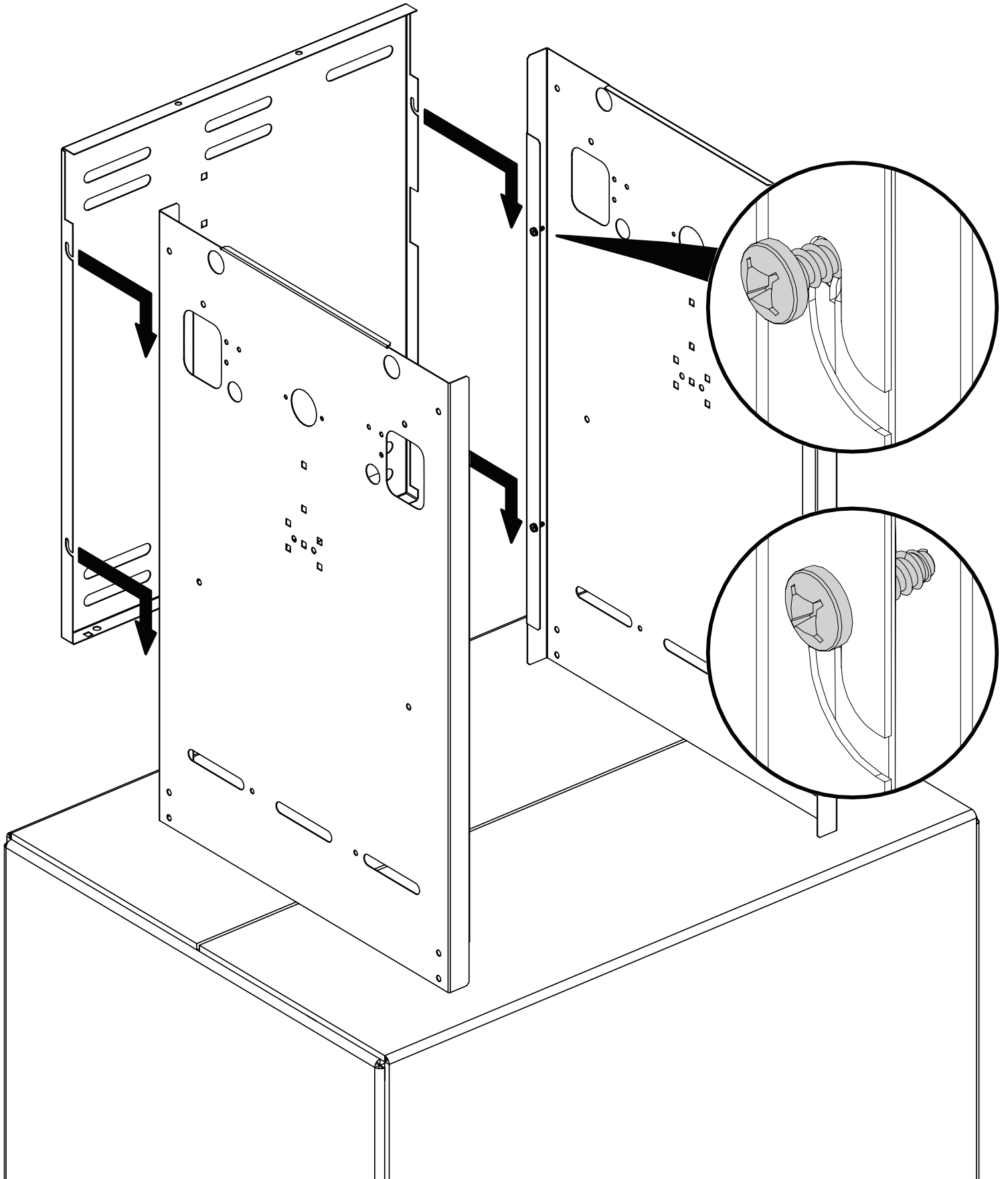
**HARDWARE INCLUDED / MATERIAL INCLUS**

S21124		(8)	Y-29304		(2)
Y-12865		(18)	Y-11230		(1)
Y-11551		(1)	Y-12124		(1)
56039-211		(1)	Y-12223		(1)
Y-12234		(1)	32001-151		(4)
S21235		(2)	S21233		(2)
20005-000					(1)
	 #3 ROBERTSON		 #2 ROBERTSON		

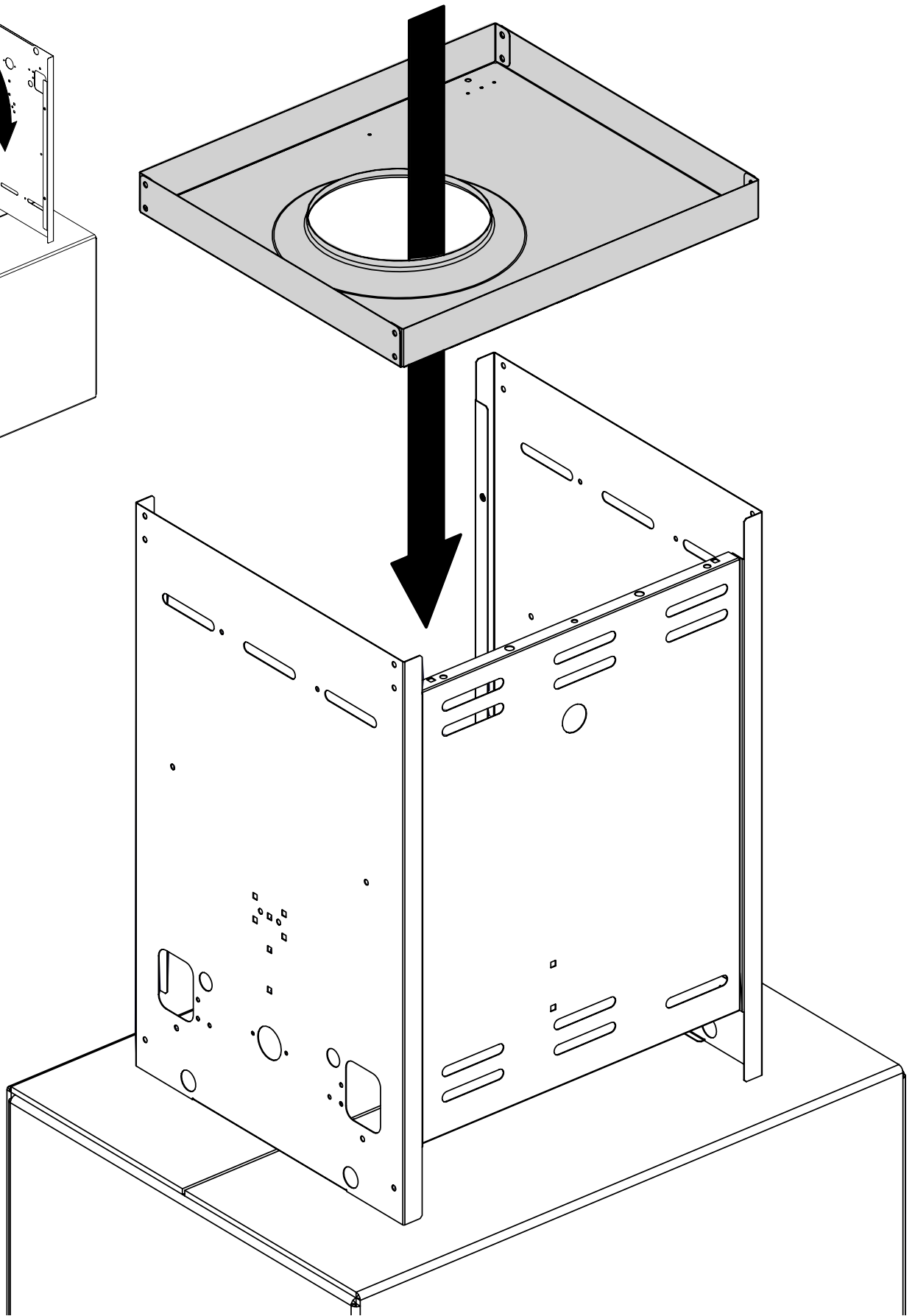
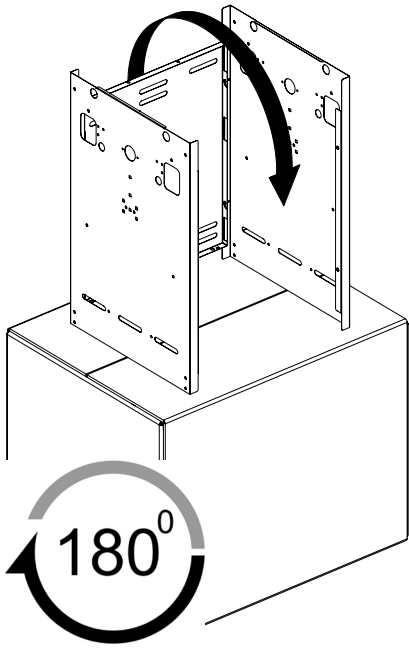
**TOOLS REQUIRED / OUTILS NECESSAIRES**



1




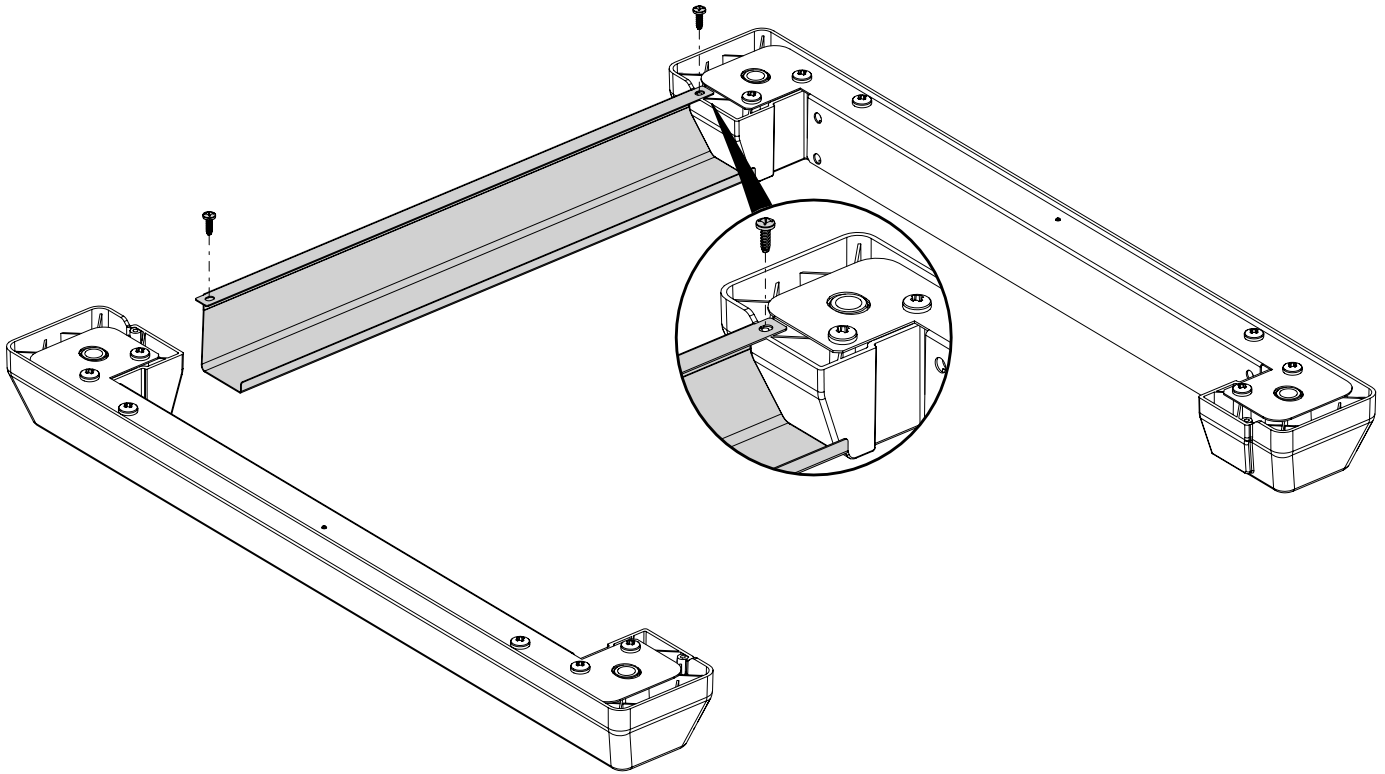
2



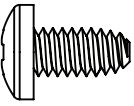


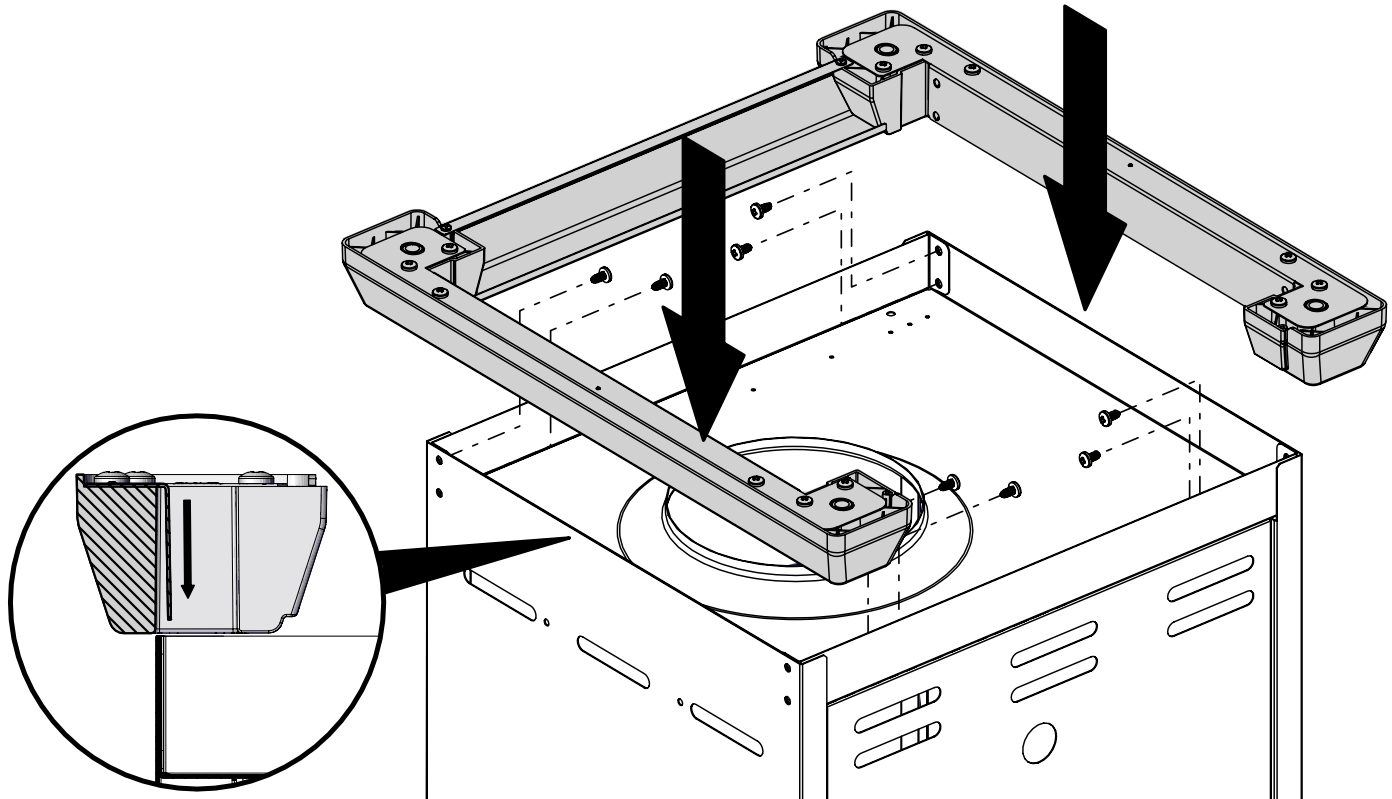
3

(2) 

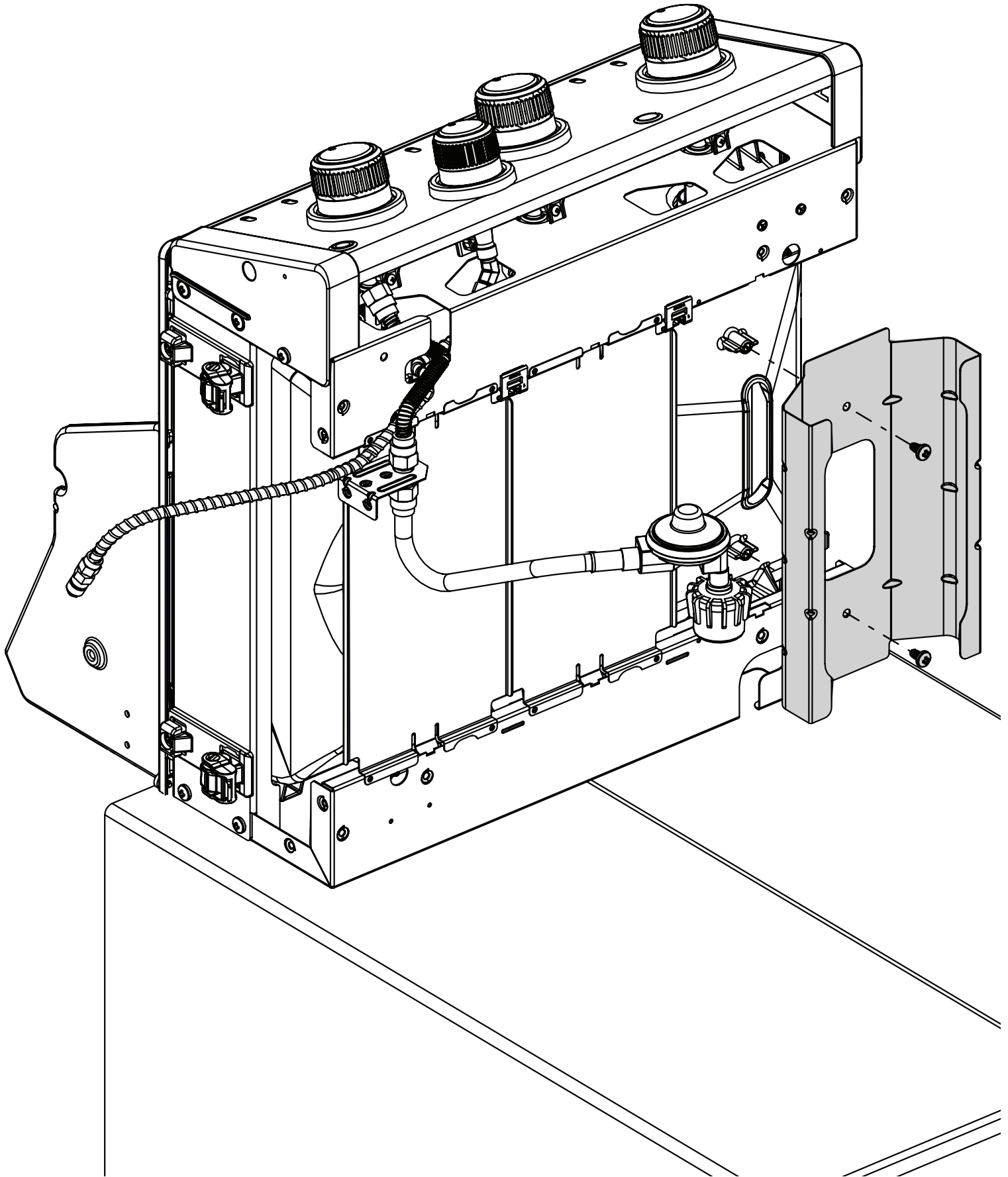
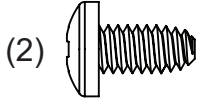


4

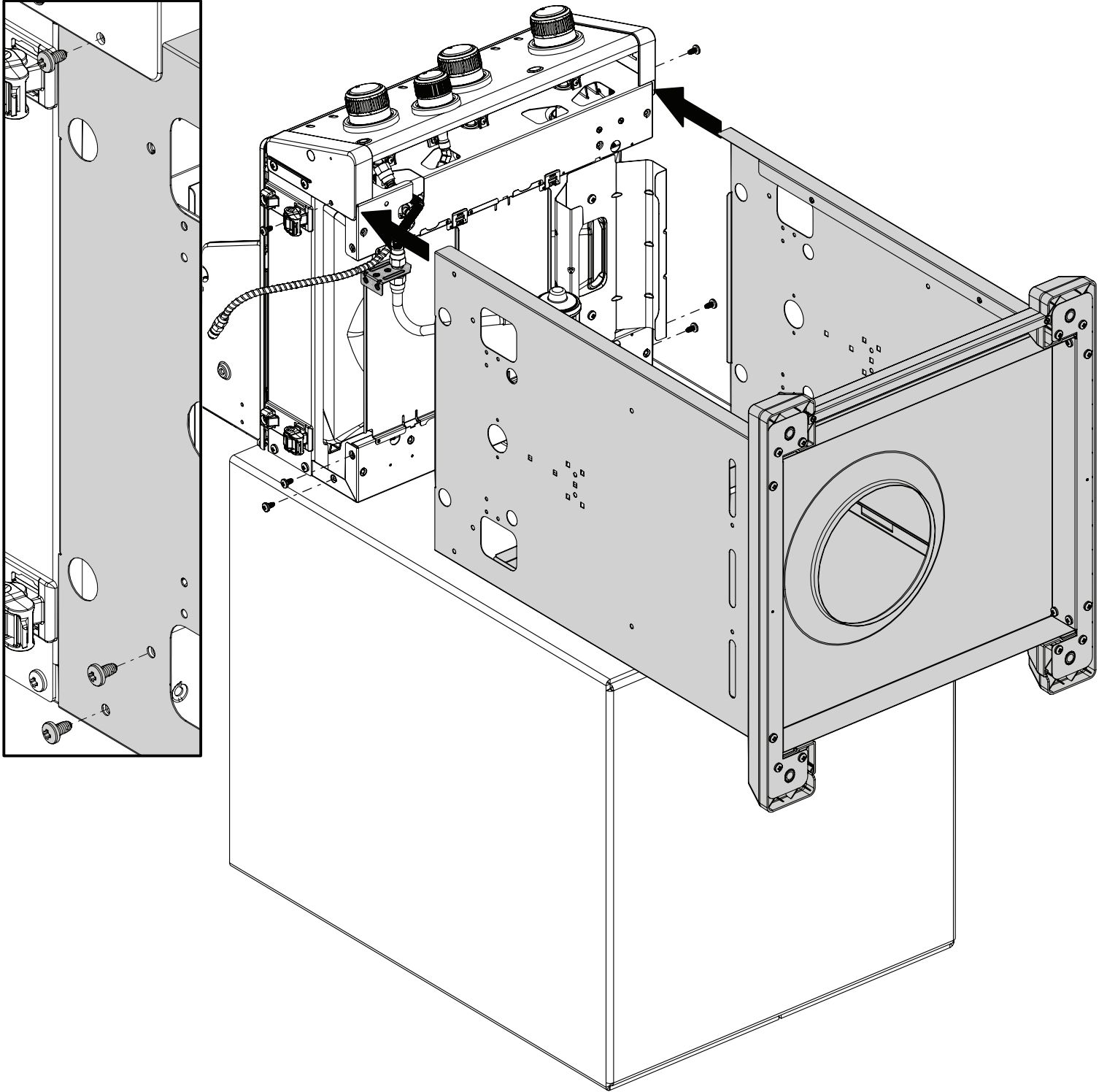
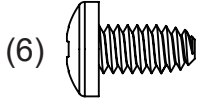
(8) 



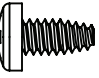
5

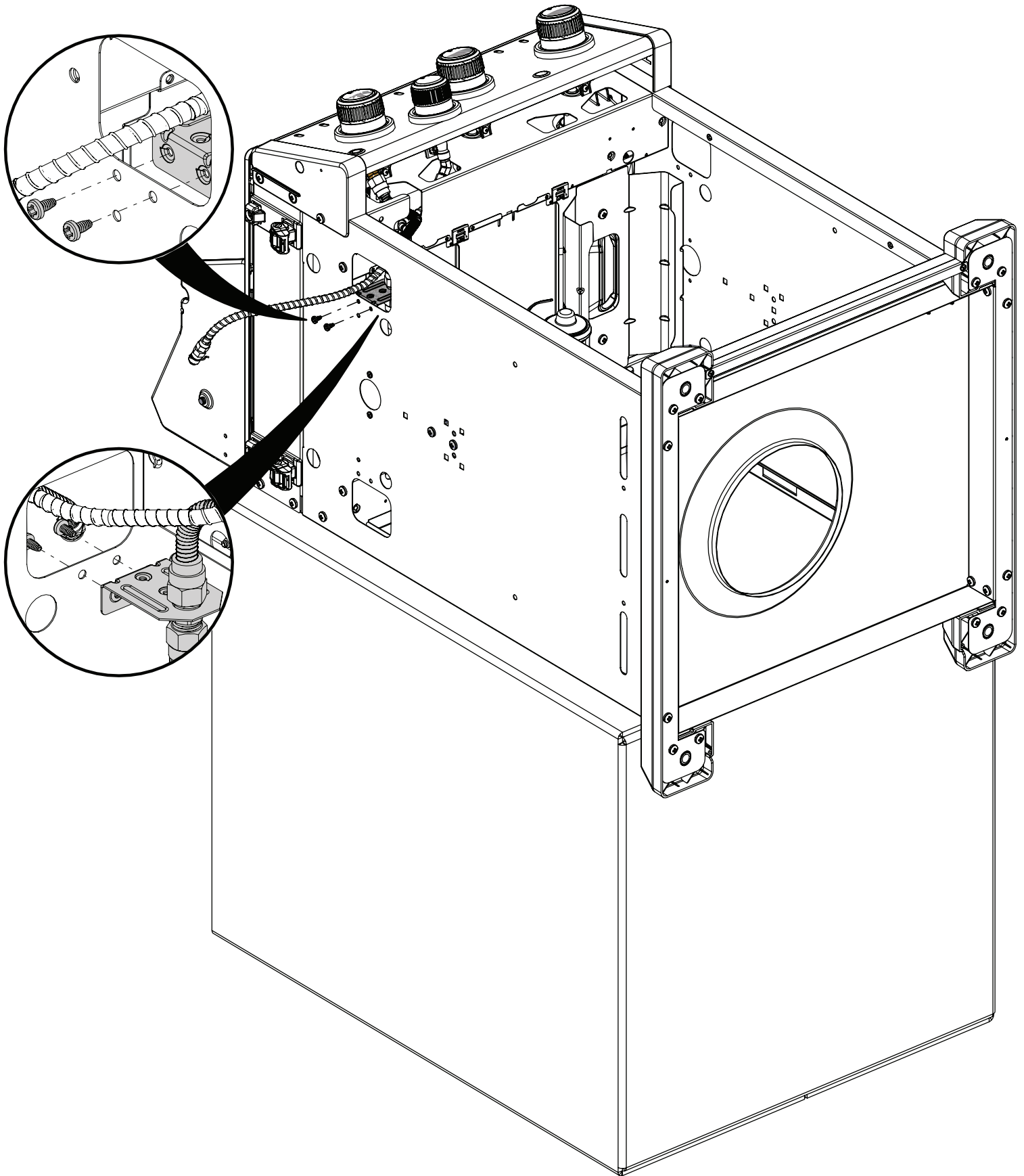


6

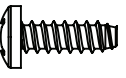


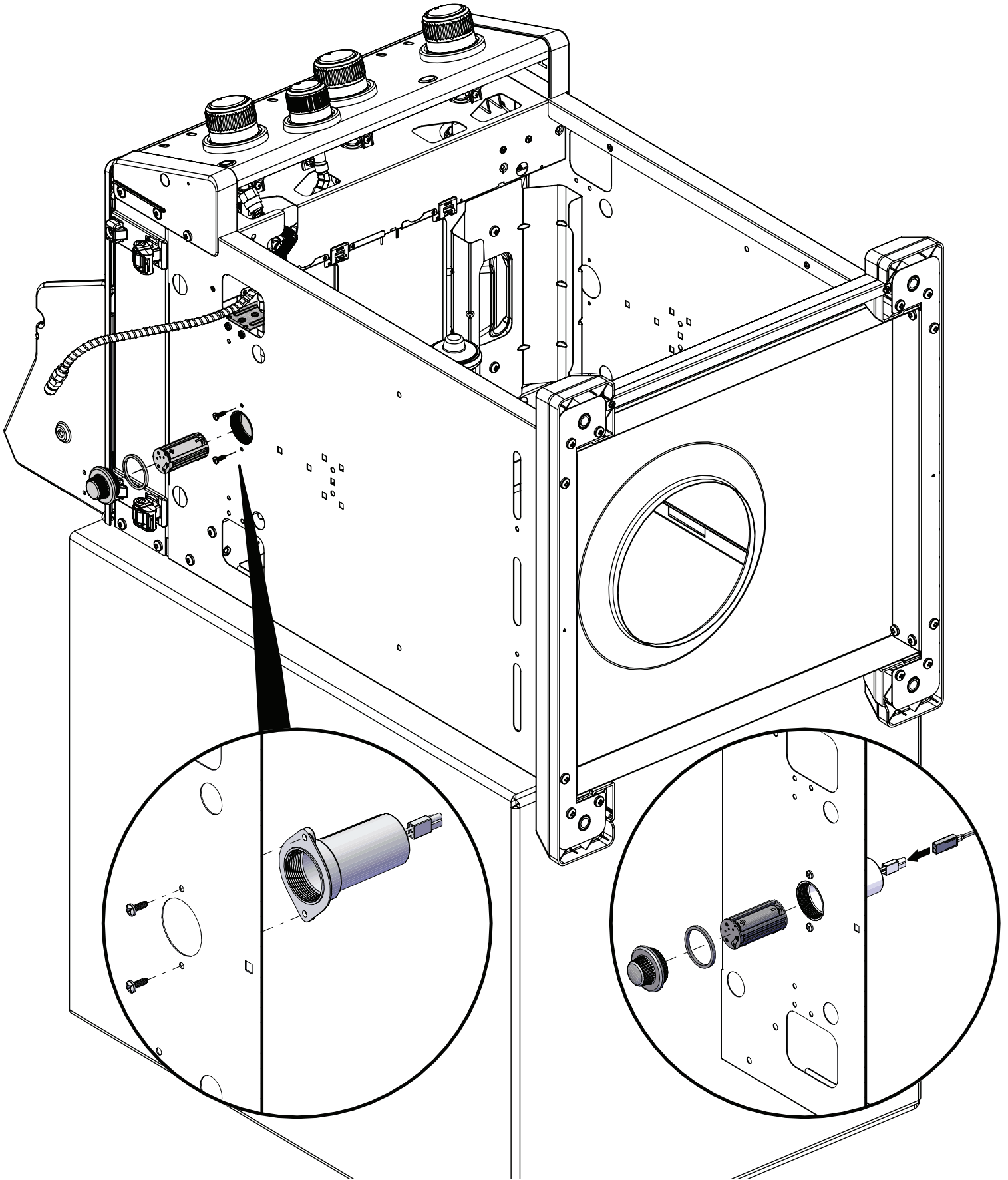
7

(2) 

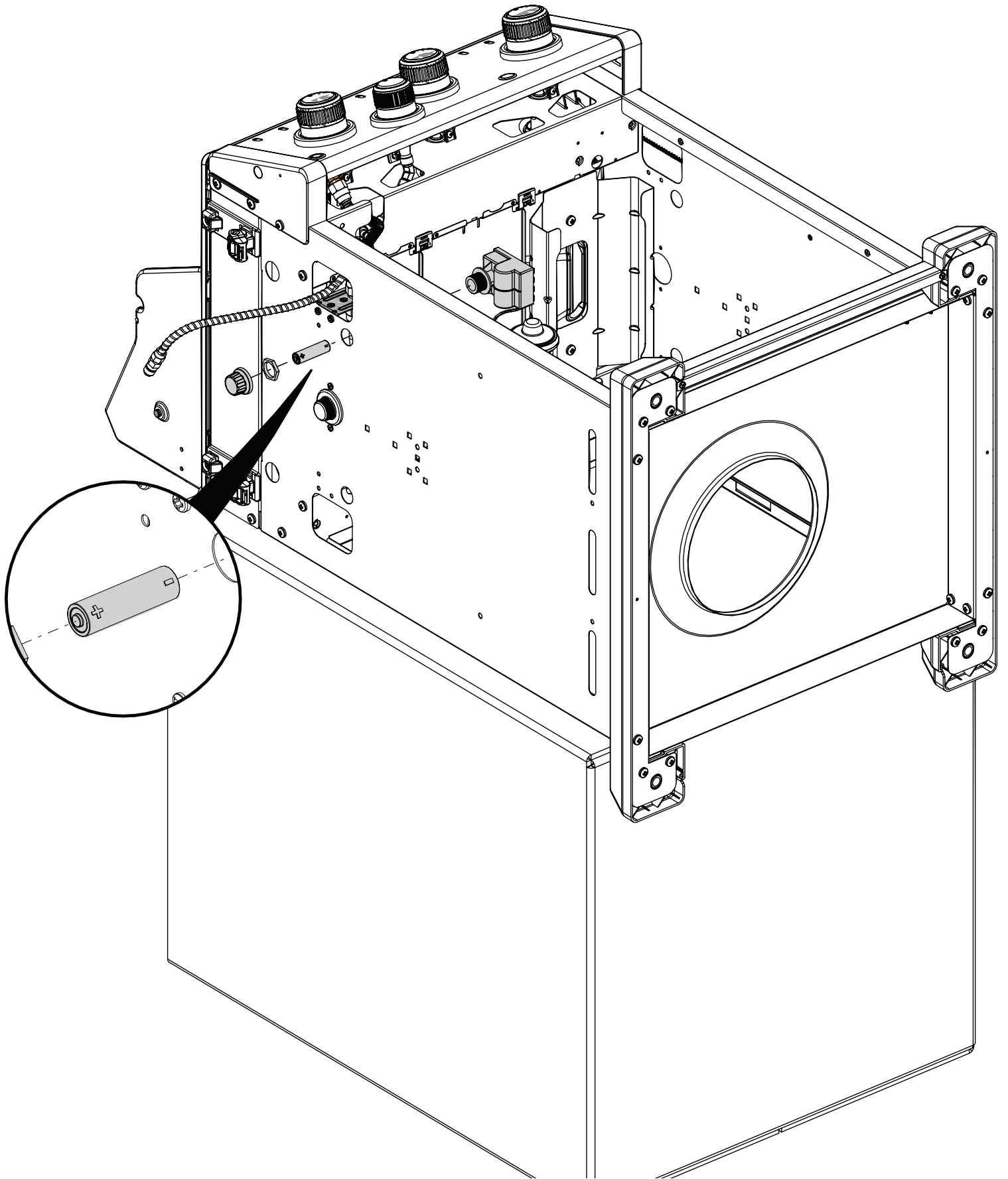


8

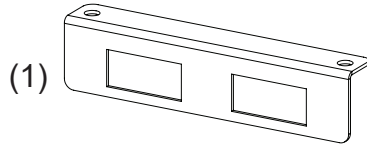
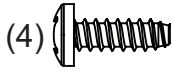
(2) 



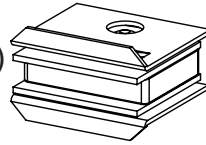
9



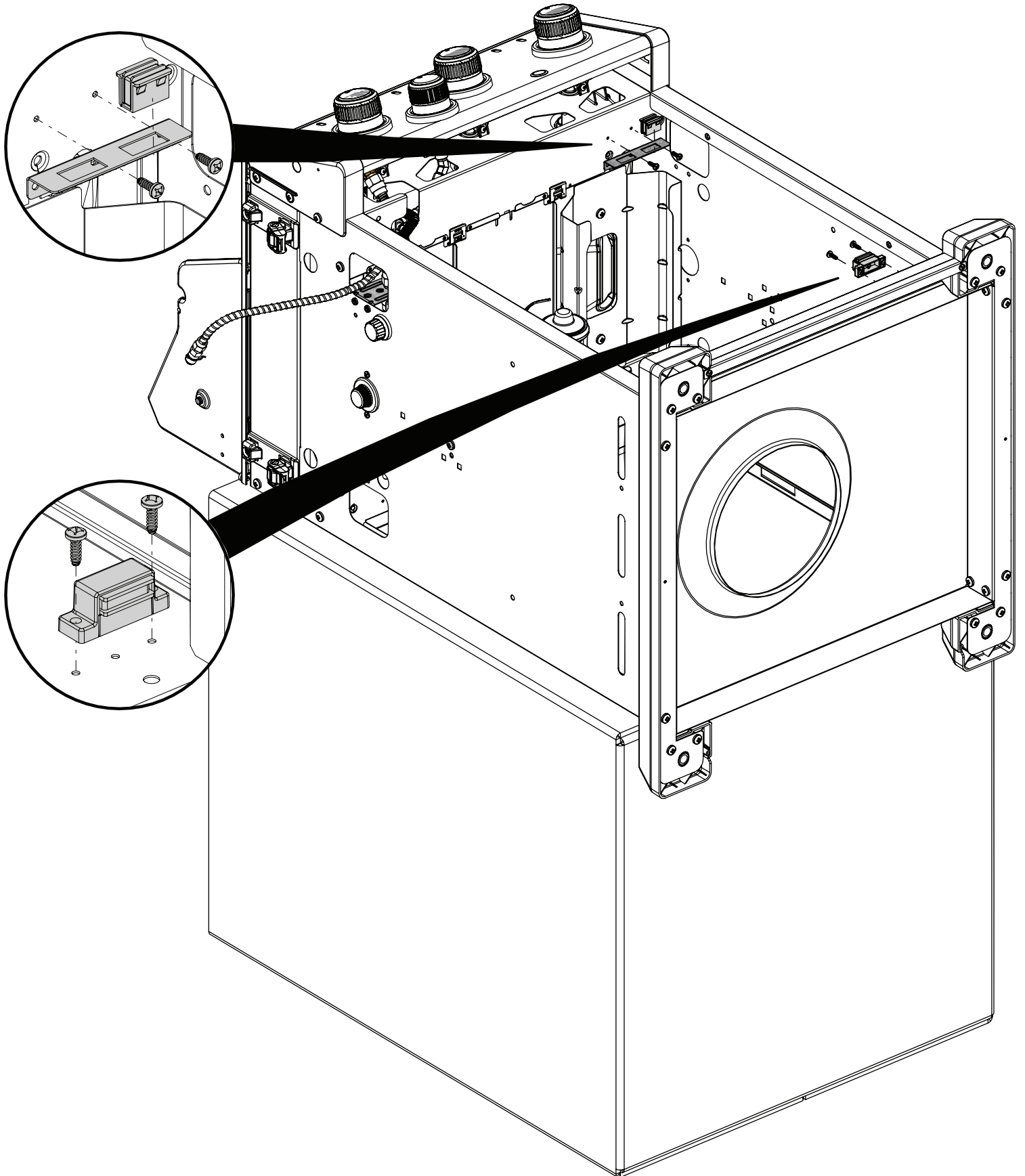
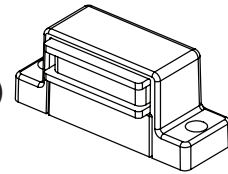
# 10



(1)

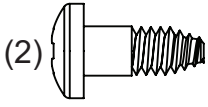
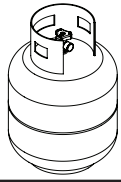


(1)

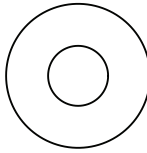




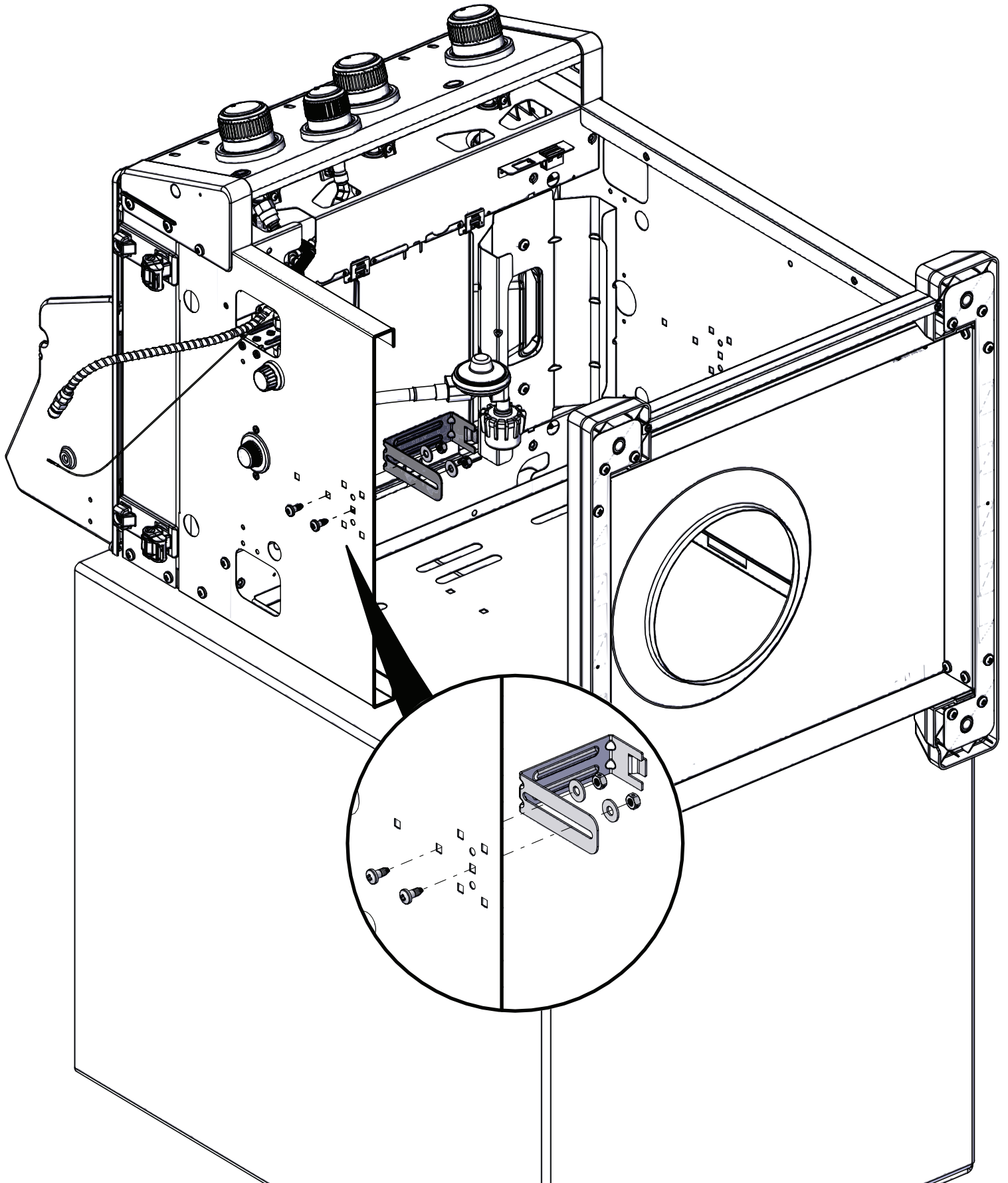
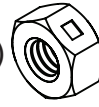
# 11



(2)

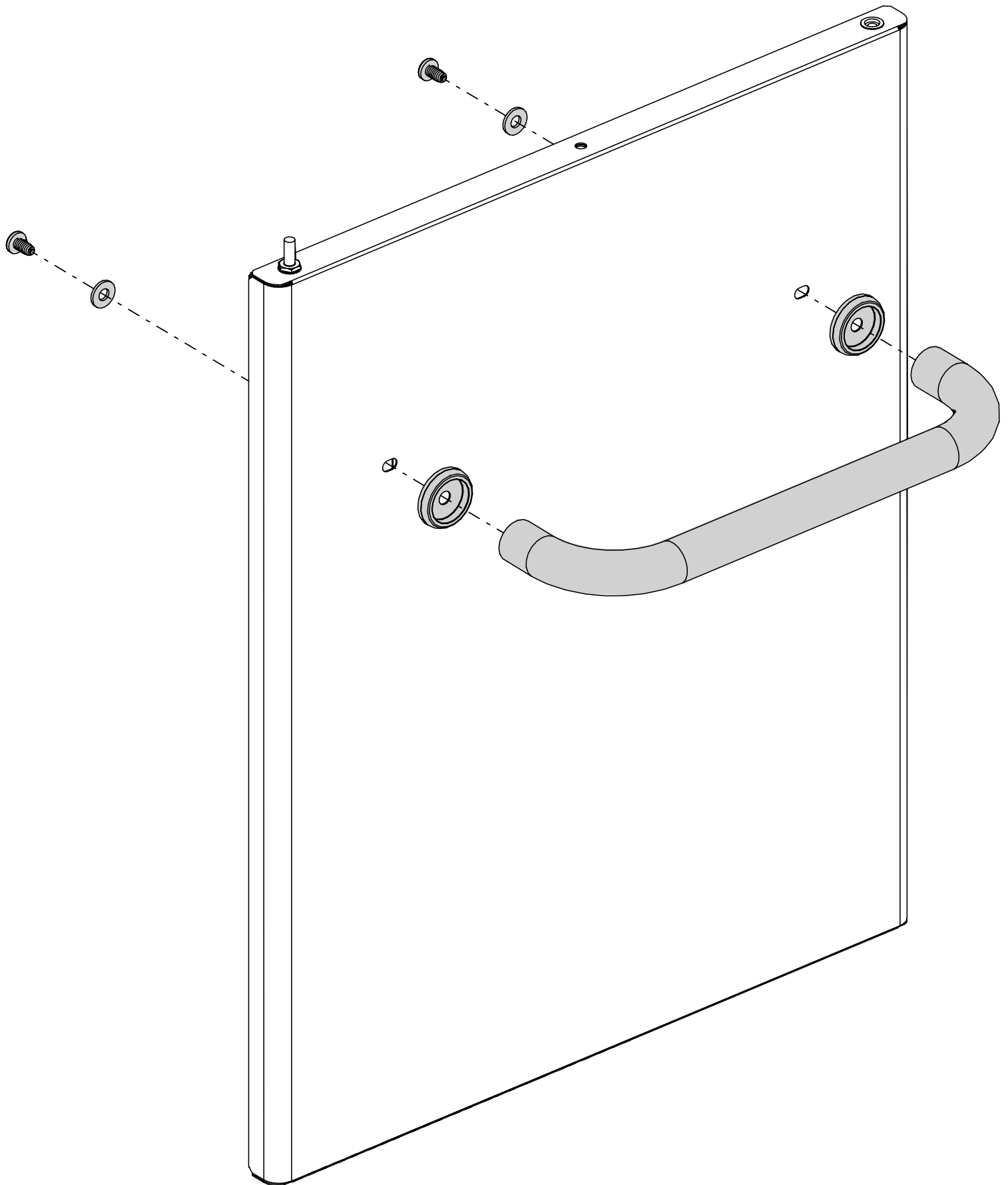


(2)

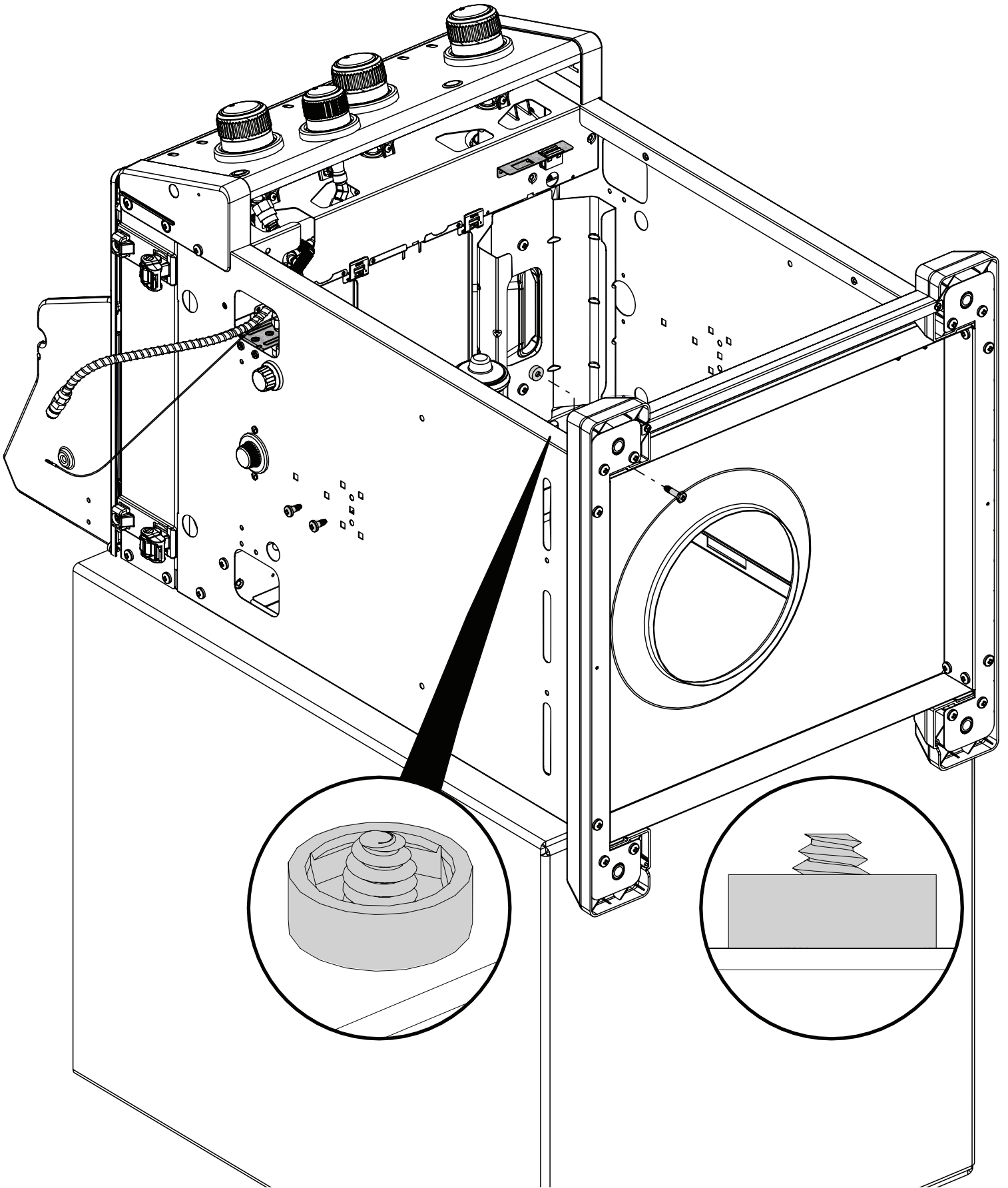
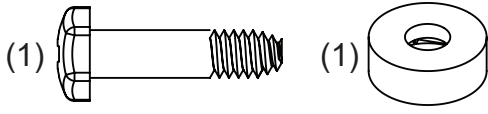


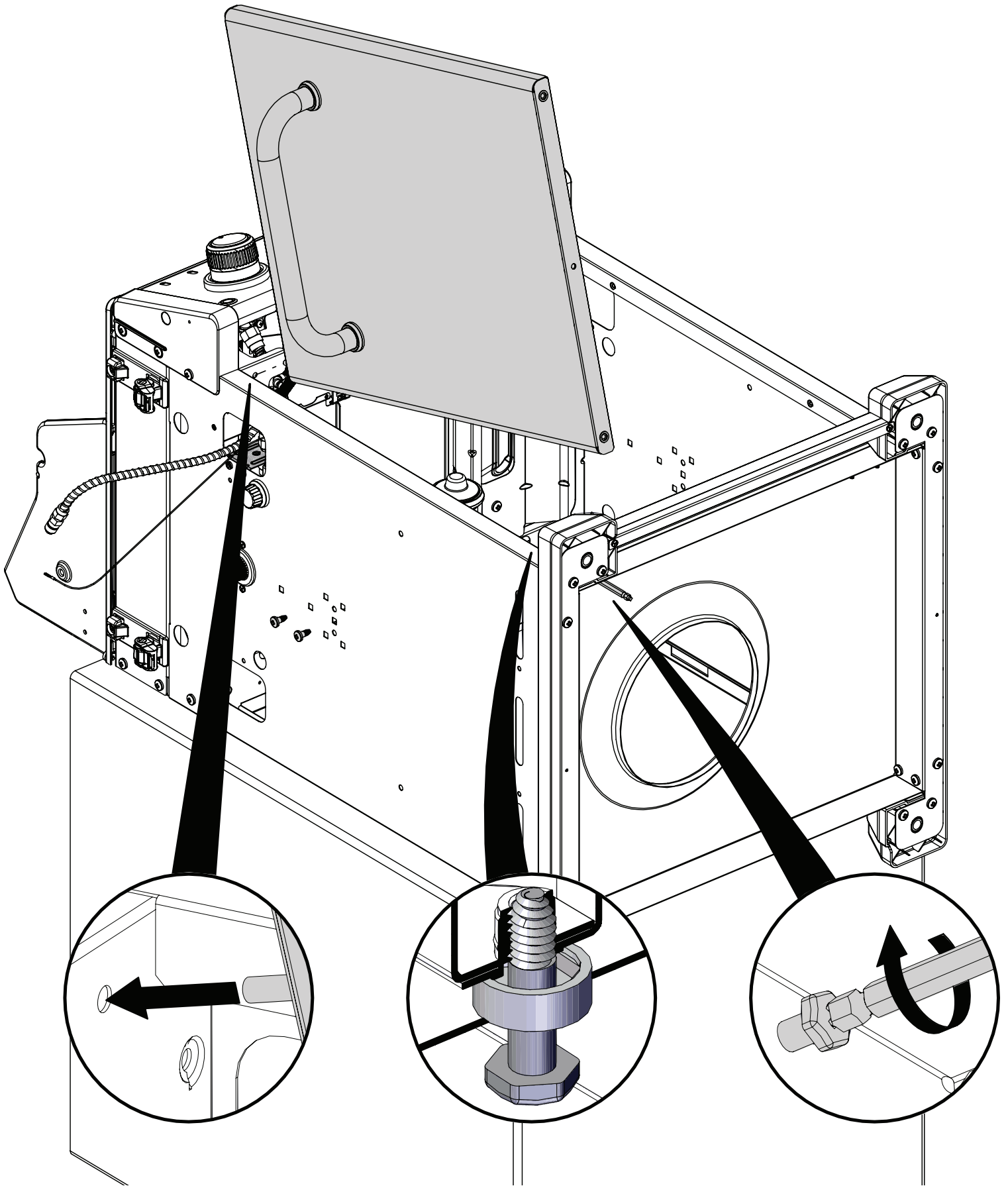


# 12



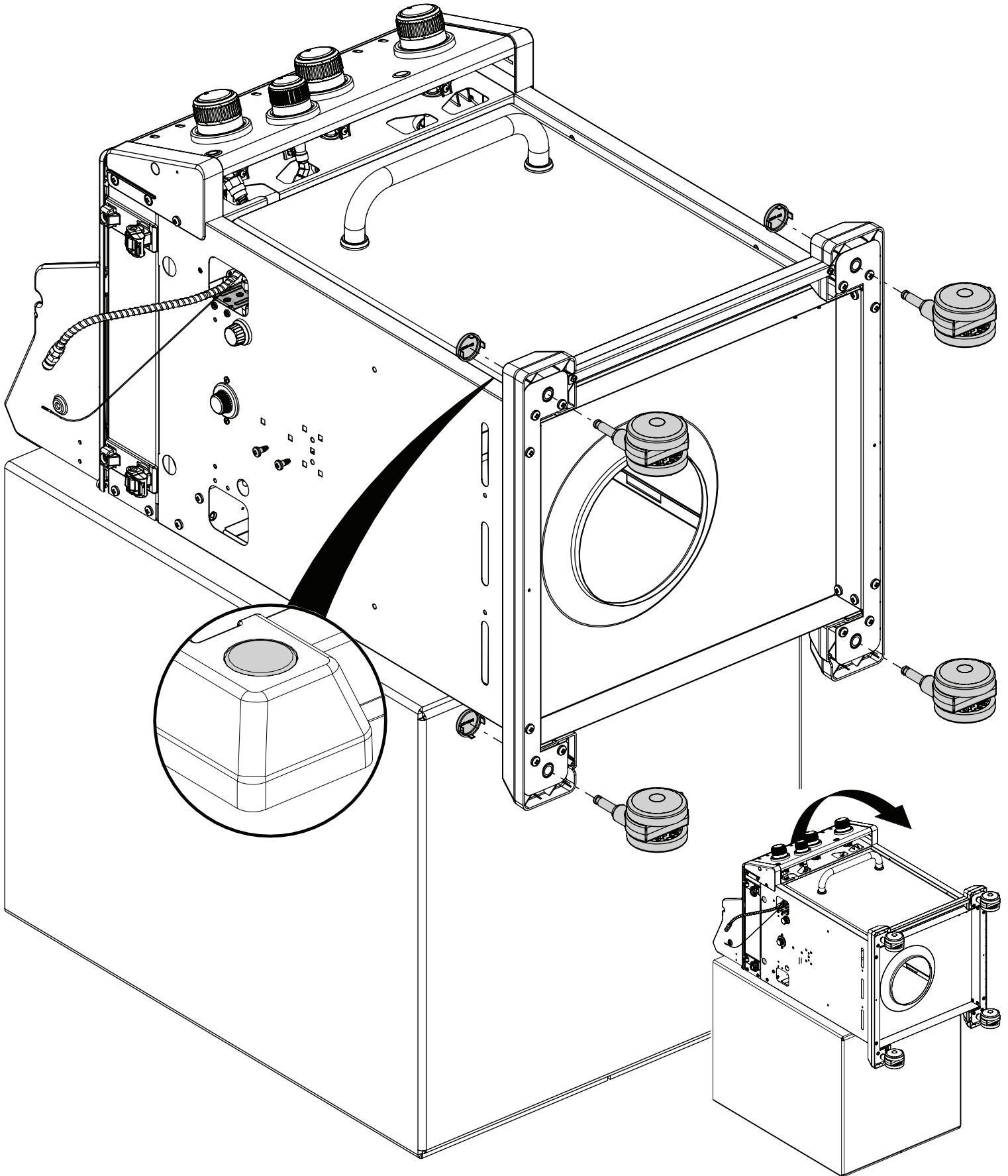
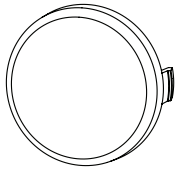
# 13





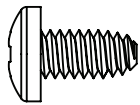
# 15

(4)

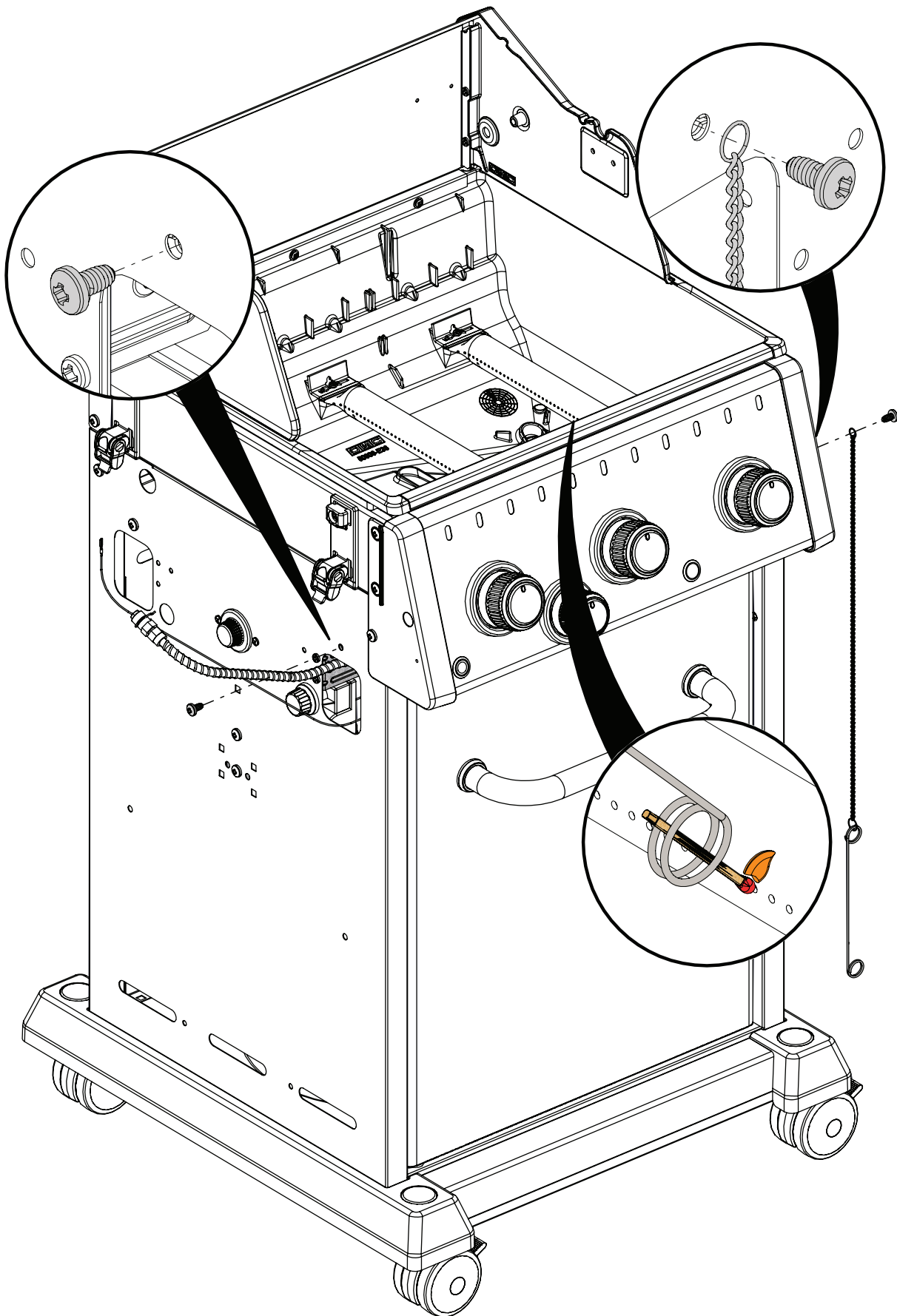


# 16

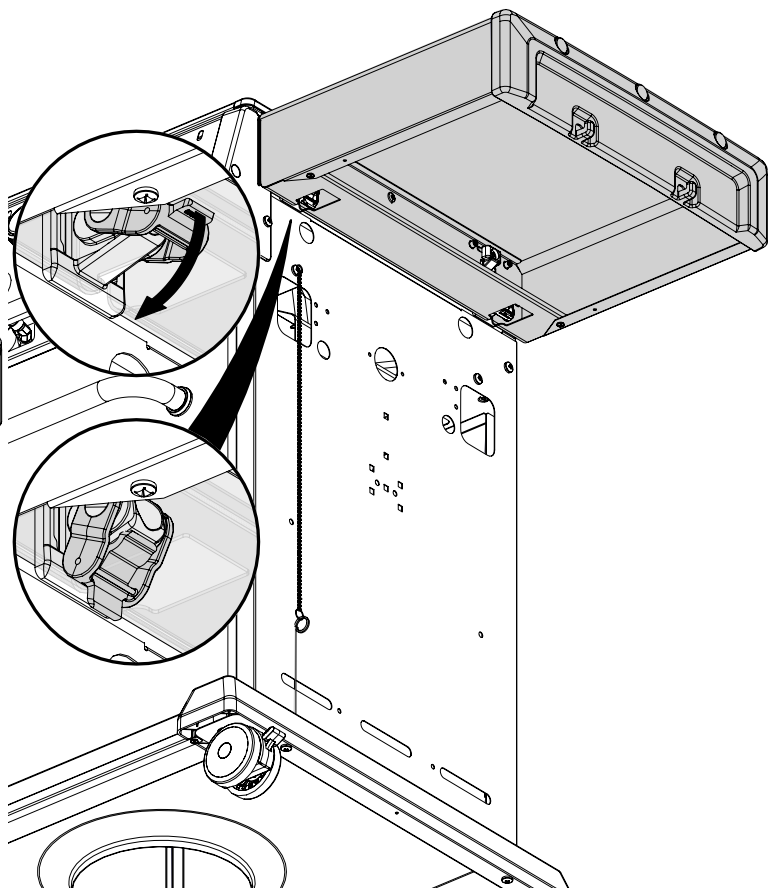
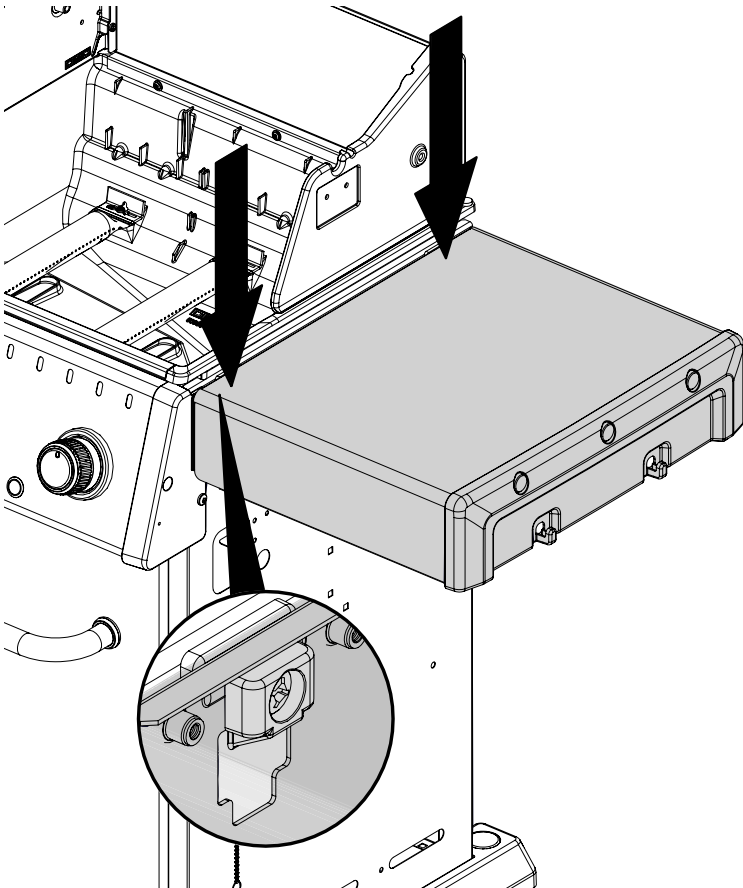
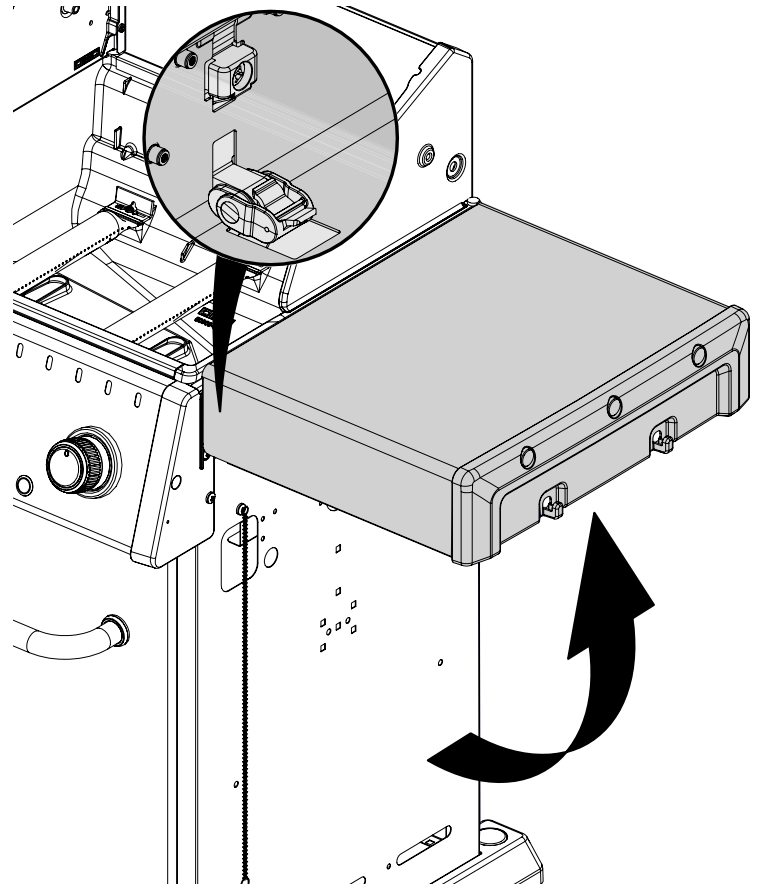
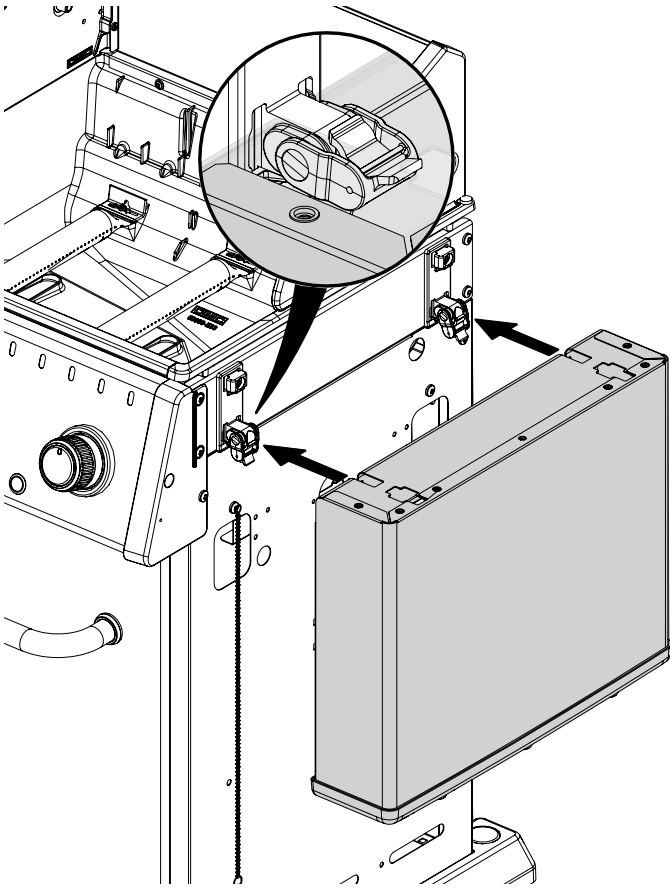
(2)



(1)

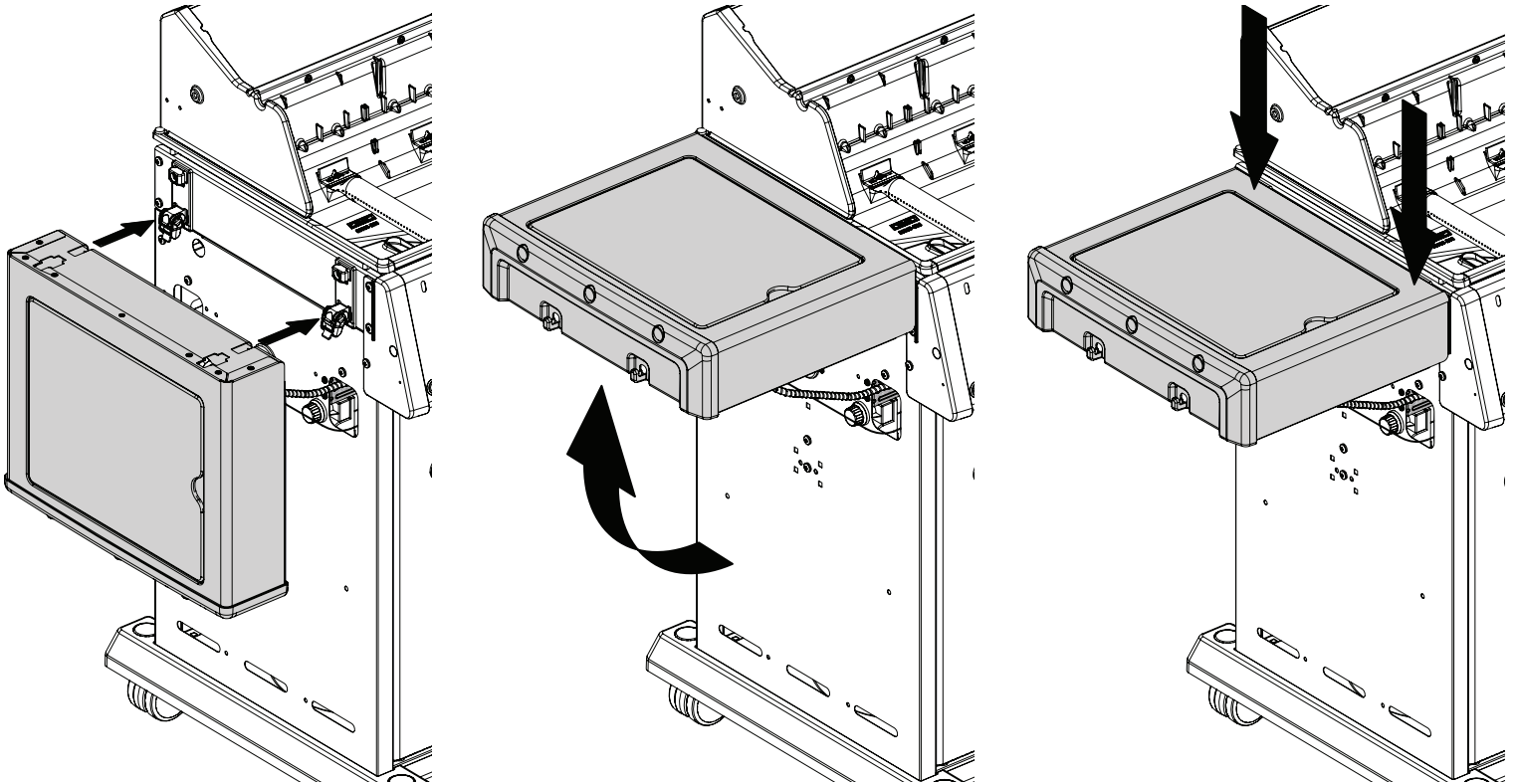


17

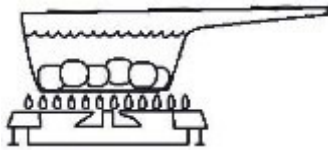





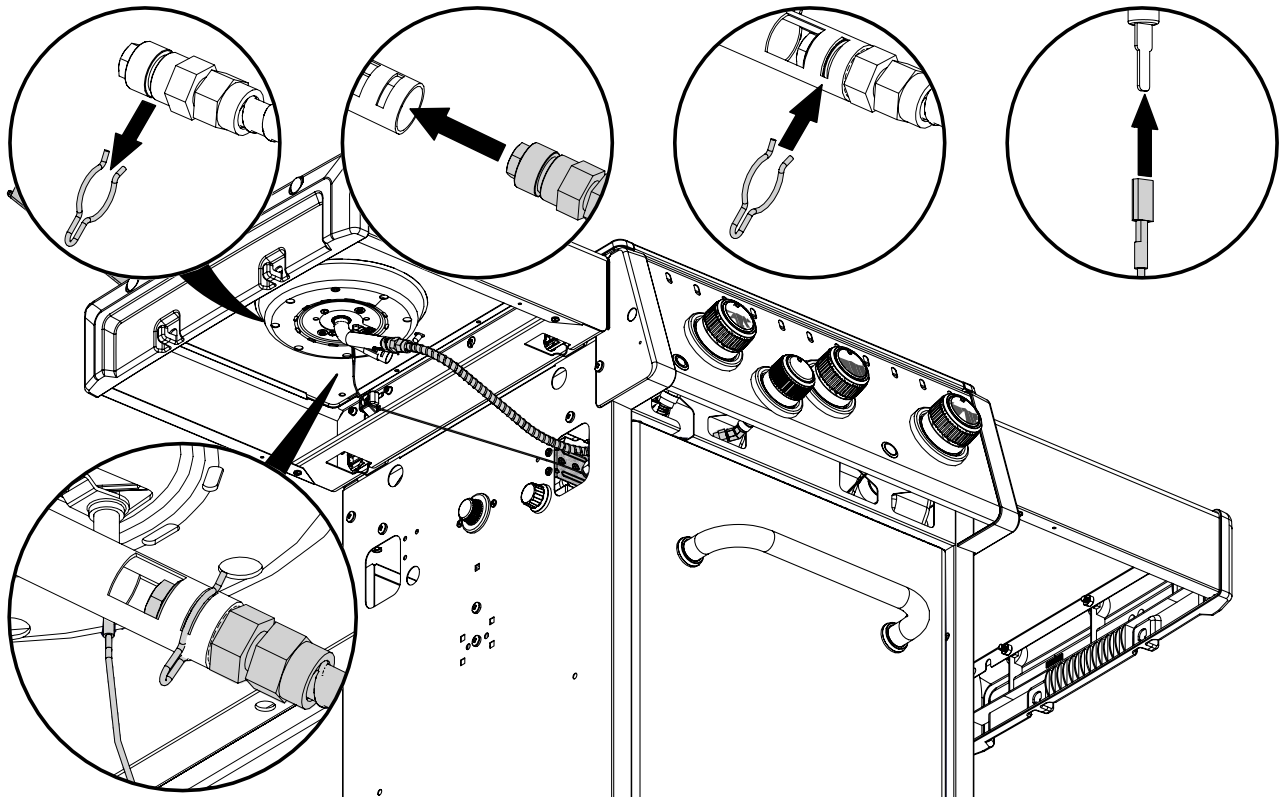
# 18



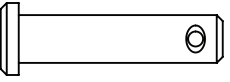
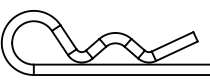
# 19

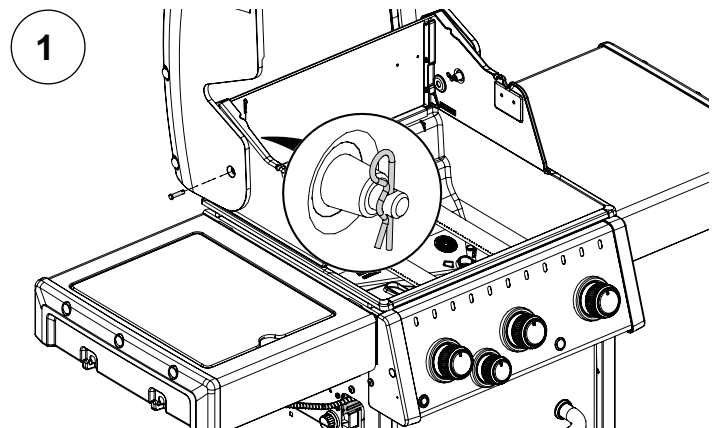
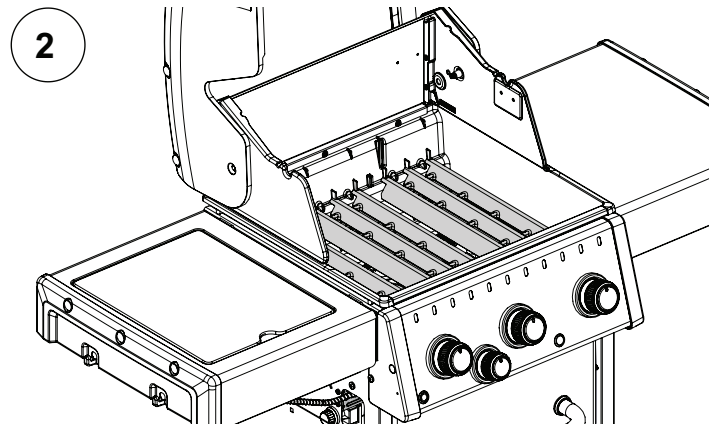
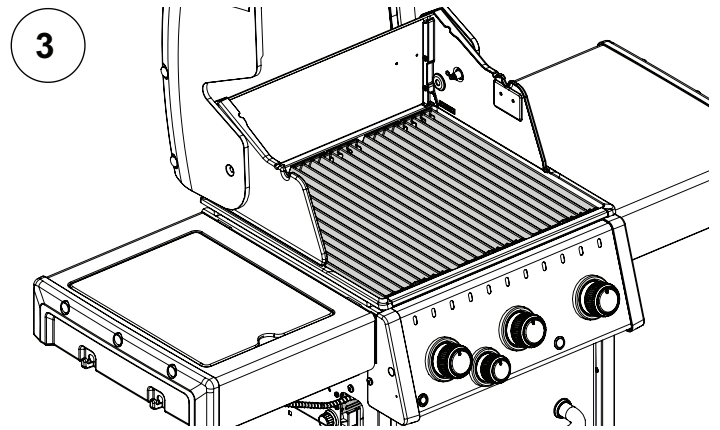
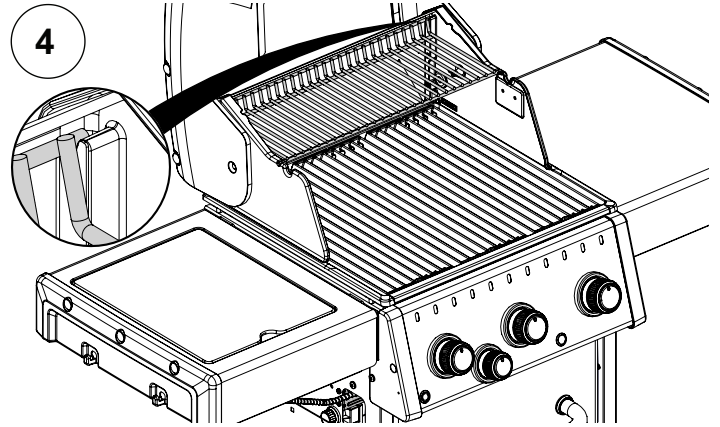
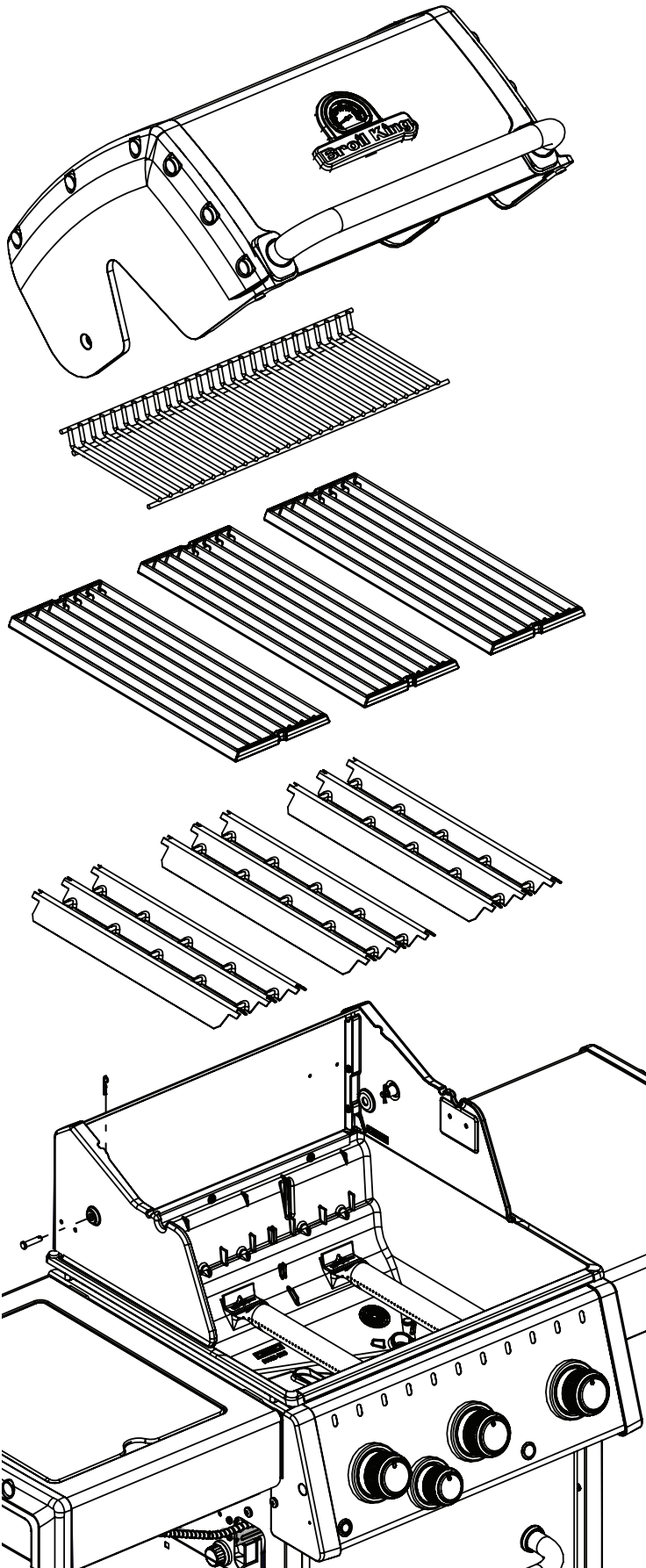


(1) 

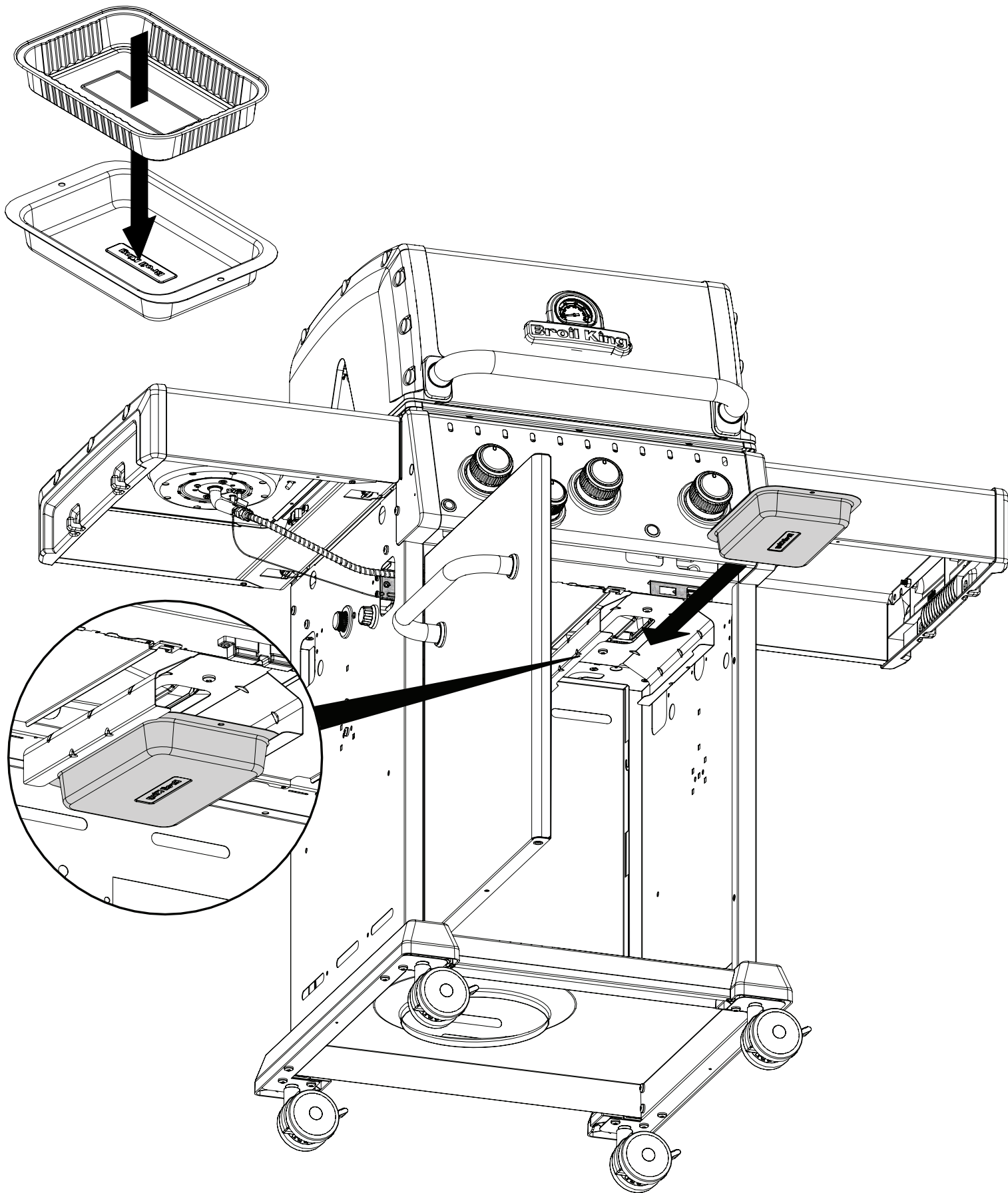


# 20

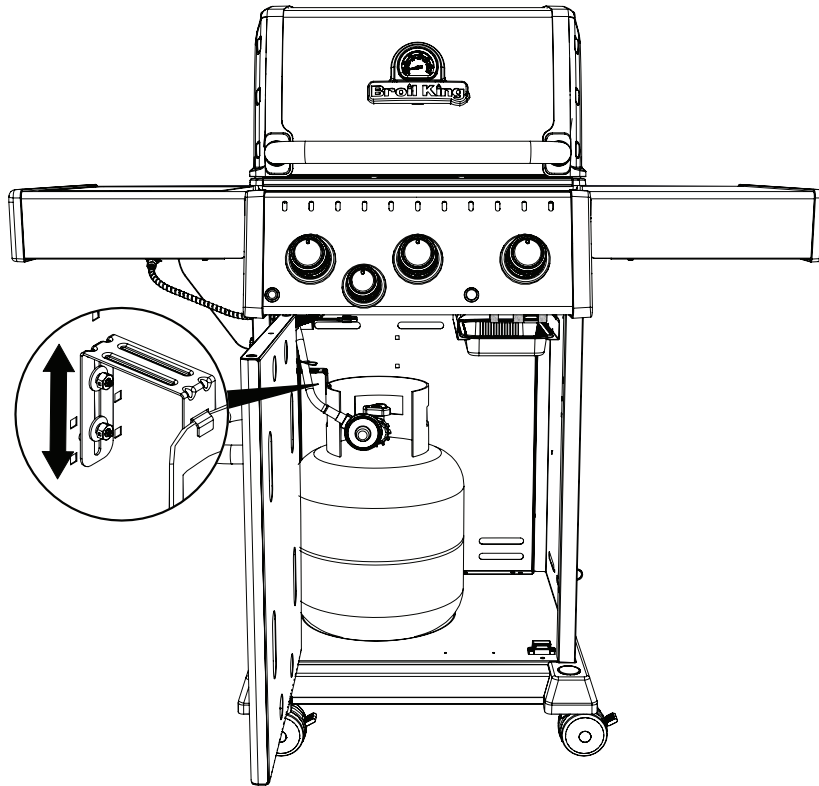
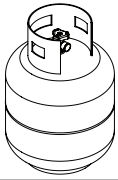
(2)  (2) 







22



23

