



# AVERA 48

The Avera 48 fire pit is handmade by Dekko in North America. Ships with your choice of NG or LP burner, one decorative aggregate option and chrome On/Off key.

Size: 48"W x 25-3/4"D x 16"H  
CSA/UL Approved Burner Assembly

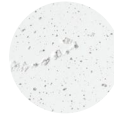


	Manual Ignition	Electronic Ignition
BTU/Hr	65,000	115,000
Weight	145 lbs	145 lbs
Fuel Options	NG/LP	NG/LP

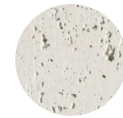
### Optional Accessories:

- Propane Tank Cover 16"W x 16"D x 21"H
- Glass Wind Guard 43"W 15"D x x 6"H
- Vinyl Weather Cover
- Powder Coated Aluminium Table Top 48"W x 25-3/4"D

### Colour Options



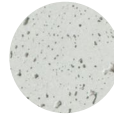
NATURAL



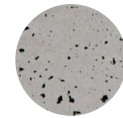
LIMESTONE



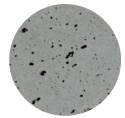
CLAY



ASH



SANDSTONE



CHARCOAL

### Decorative Aggregate Options



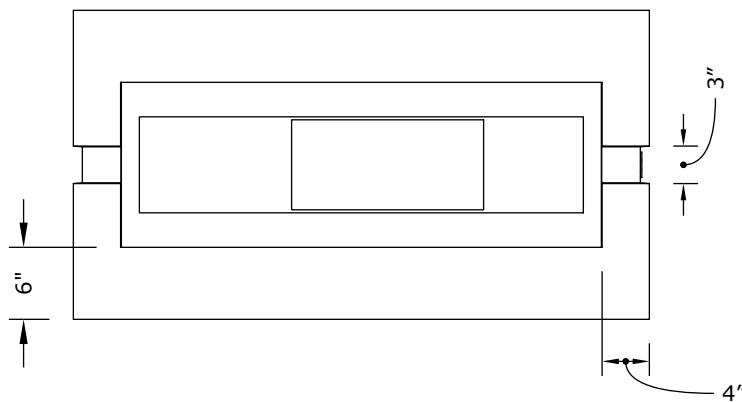
IVORY BEACH STONE



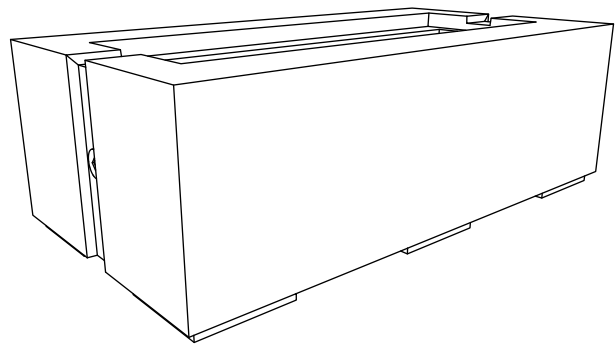
SLATE BEACH STONE



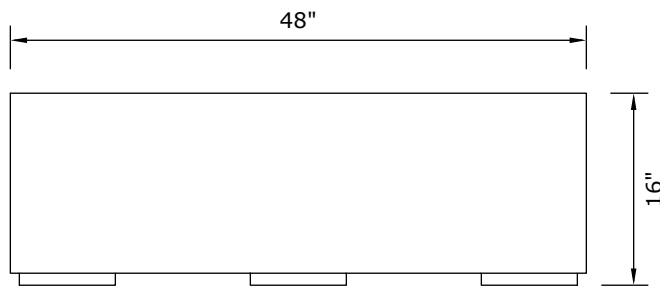
BLACK LAVA ROCK



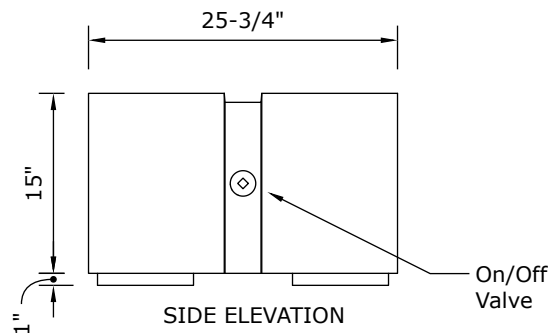
PLAN VIEW



PERSPECTIVE VIEW



FRONT ELEVATION

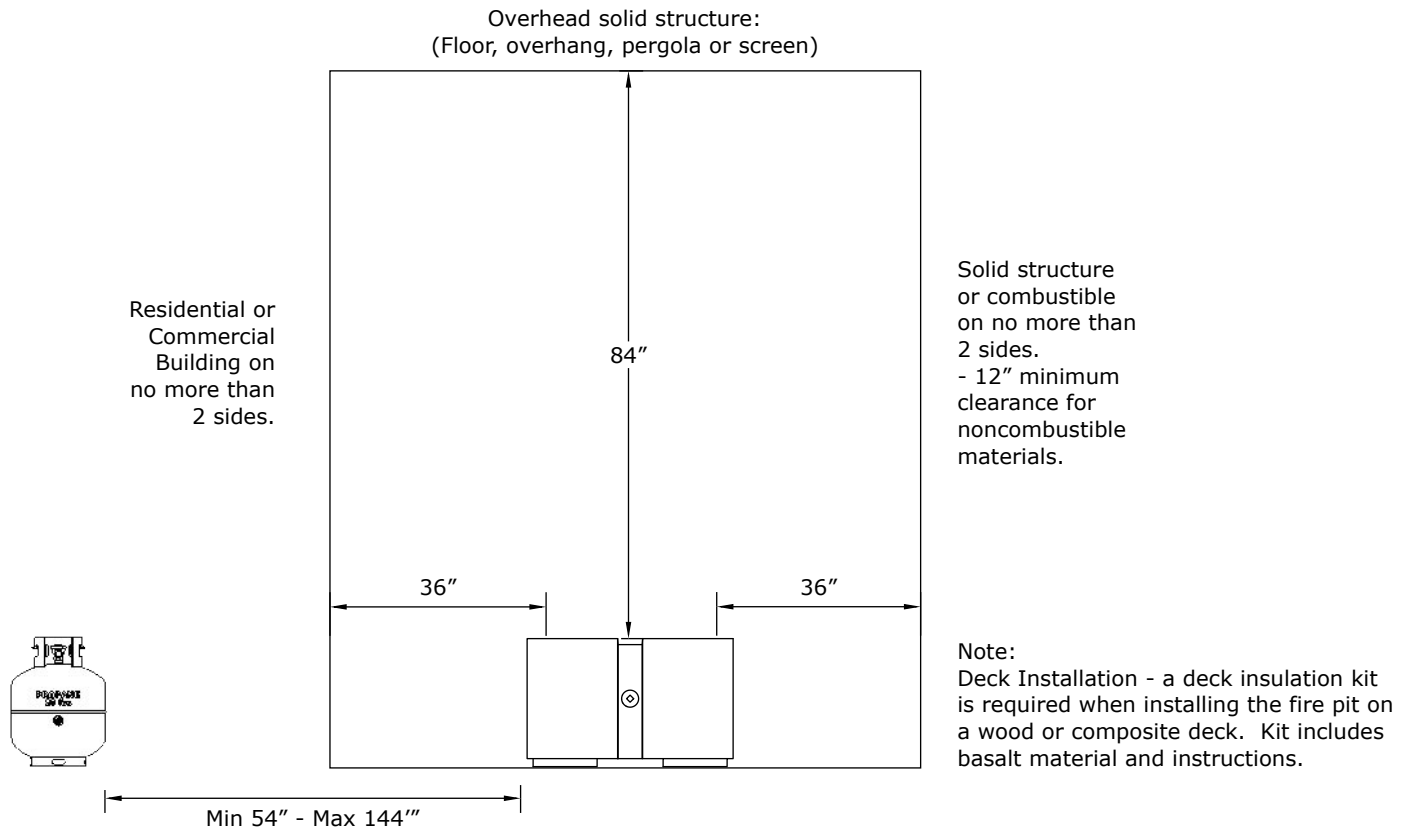


SIDE ELEVATION

On/Off Valve

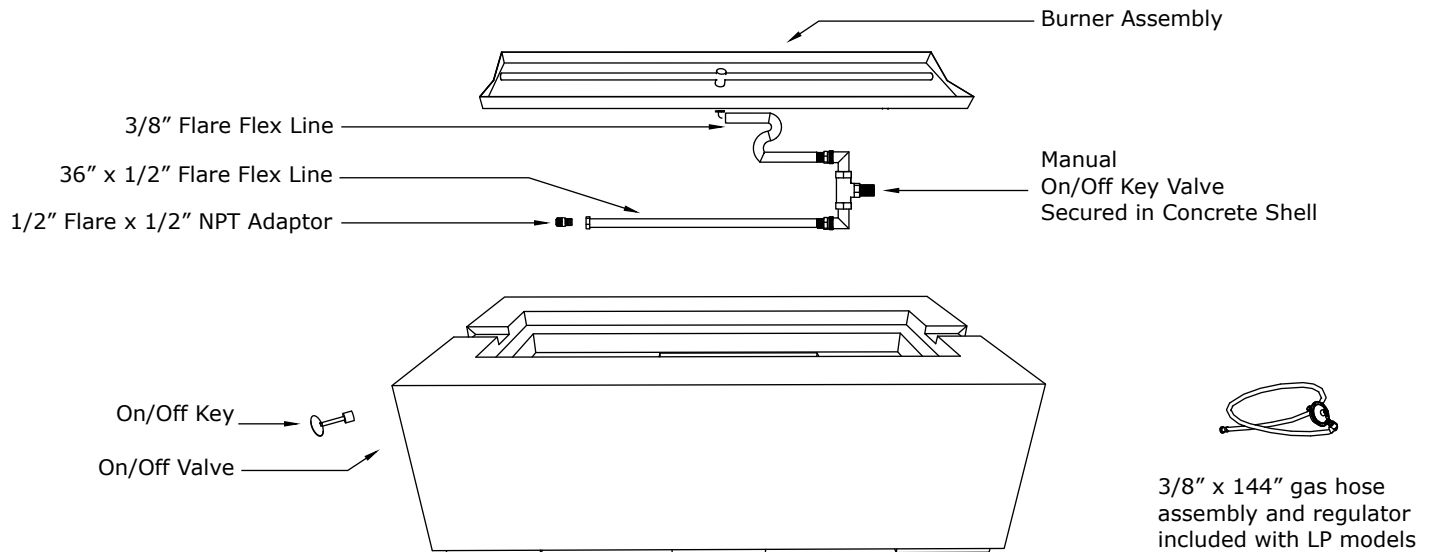


## Clearances



## Burner Assembly

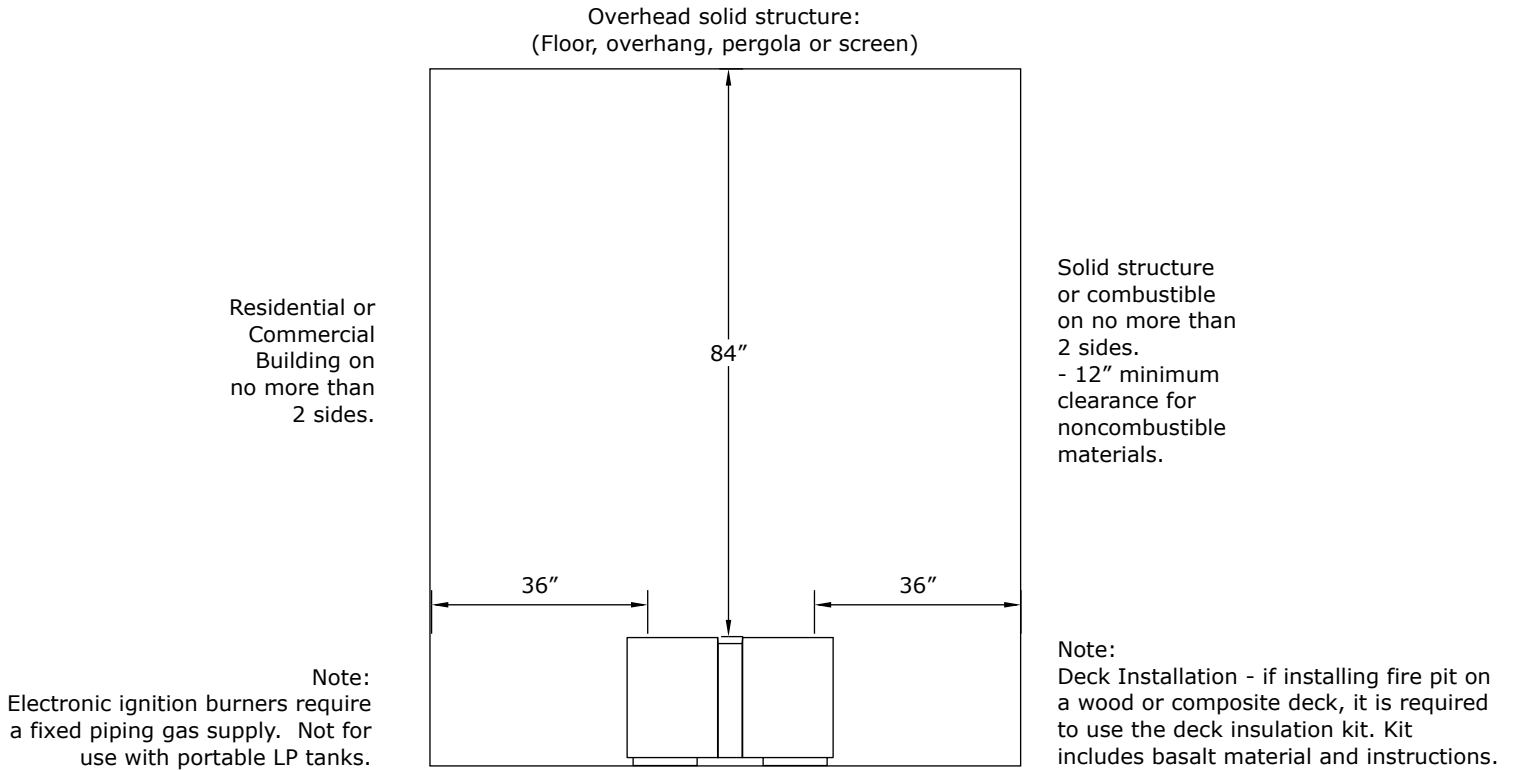
37" Match Lit Burner





# AVERA 48 Electronic Ignition

## Clearances



## Burner Assembly

**Electrical:**  
120V Outdoor receptacle required.  
Must be installed and grounded in accordance with local codes.

37" Electronic Ignition Burner

