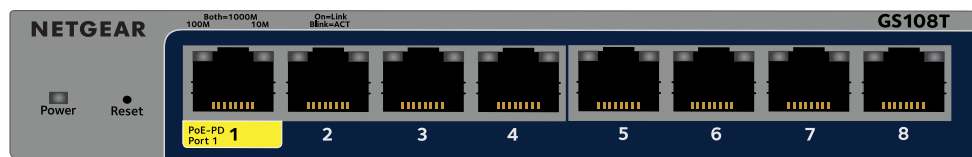


Installation Guide

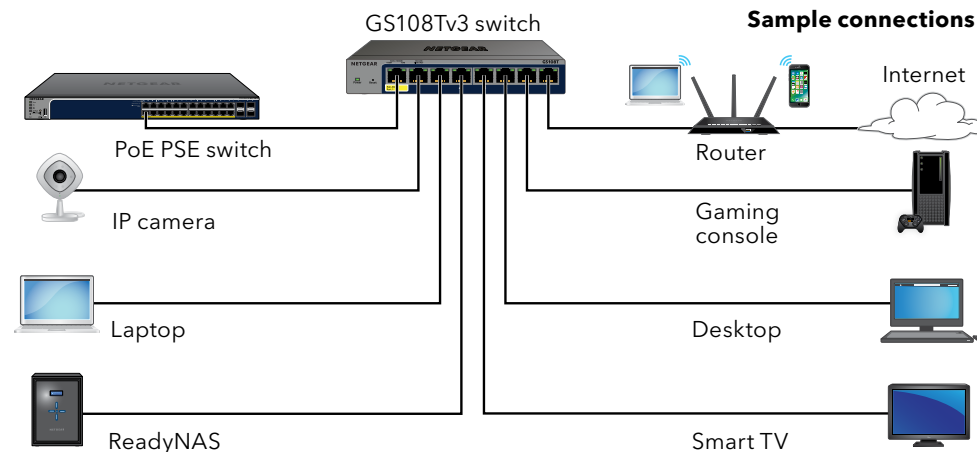
8-Port Gigabit Ethernet Smart Managed Pro Switch with Cloud Management GS108Tv3



Package contents

- NETGEAR GS108Tv3 switch
 - DC power adapter (varies by region)
 - Rubber footpads for tabletop installation
 - Wall mount kit (the wall-mount screws are 6.5 mm in diameter and 16 mm in length)
 - Installation guide
- Note:** For information about installation, see the hardware installation guide, which you can download by visiting www.netgear.com/support/.

Connect the switch



This switch is designed for indoor use only. If you want to connect to a device located outdoors, the outdoor device must be properly grounded and surge protected, and you must install an Ethernet surge protector inline between the switch and the outdoor device. Failure to do so can damage the switch.

WARNING: Before connecting this switch to outdoor cables or devices, see <https://kb.netgear.com/000057103> for safety and warranty information.

1. Connect devices to the RJ-45 ports (1-8) on the switch front panel. Use Category 5e (Cat 5e) Ethernet cables terminated with RJ-45 connectors to make Gigabit Ethernet connections.
2. Connect one port on the switch to a network that includes a DHCP server such as a router.

Note: In a small office or home office network, connect the switch to the LAN port of a router that is connected to a modem, or to a gateway.
3. Power on the switch and wait two minutes.

Note: Port 1 is a PoE powered device (PD) port that can receive PoE power from a PoE switch that functions as the power sourcing equipment (PSE) so that you can use model GS108Tv3 without a power adapter.

If you connected the switch to a network with a DHCP server, the switch is automatically assigned a new IP address. (The default switch IP address is 192.168.0.239.)

Discover the switch in your network

Depending on your setup, you can use the NETGEAR Insight app to discover the switch IP address in your network, or you can use other discovery methods.

Use the NETGEAR Insight app to discover the switch

If your switch and mobile device are connected to the same network, you can use the NETGEAR Insight app to discover the switch IP address in your network. Regardless of your setup, you can use the Insight app to register the switch and activate your warranty.

1. On your mobile device, visit the app store, search for NETGEAR Insight, and download the latest version of the app.
2. Open the NETGEAR Insight app.
3. If you do not have a NETGEAR account, tap **Create NETGEAR Account** and follow the onscreen instructions.
4. Enter the email address and password for your NETGEAR account and tap **LOG IN**.

- **Option 1: Your switch and mobile device are connected to the same network.** Your switch and its IP address display in the devices list. Do the following:
 - a. Select the switch or tap **Unclaimed**.
 - b. On the next screen, tap **ADD DEVICE**, and continue with Step 5.

If the switch does not display in the devices list, tap **+** in the upper-right corner, and tap **Scan Network**. If the switch still does not display, follow Option 2 below.
 - **Option 2: Your switch and mobile device are not connected to the same network.** Your switch and its IP address do not display in the devices list. Do the following:
 - a. Tap **+** in the upper-right corner.
 - b. Either use the camera on your mobile device to scan the bar code or QR code, or type in the serial number, and then continue with Step 5.
5. Follow the onscreen instructions to complete the registration of the switch. During the process, decide if you want to manage and monitor the switch from the device UI or remotely from the cloud using NETGEAR Insight:

- **Device UI:** Tap **Not Now**. Then, continue with [Log in to the device UI to configure the switch](#).
- **NETGEAR Insight Cloud Portal or Insight app:** Tap **Manage with Insight**. Then, continue with [Log in to the device UI to configure the switch](#) and [Change the management mode to Insight](#).

Use another method to discover the switch

The NETGEAR Switch Discovery Tool and the Smart Control Center let you discover the IP address in your network.

- **NETGEAR Switch Discovery Tool (NSDT):** You can use a Mac or Windows-based computer on the same network as the switch. To download this tool, visit www.netgear.com/support/product/netgear-switch-discovery-tool.aspx.
- **Smart Control Center (SCC):** You can use a Windows-based computer on the same network as the switch. To download the SCC, visit www.netgear.com/support/product/SCC.

Log in to the device UI to configure the switch

You can use the switch as a plug-and-play device or you can change the settings by logging in to the device user interface (UI).

1. Open a web browser from a computer connected to the same network as your switch. You can use a wired or WiFi connection.
2. In the address field of your web browser, enter the IP address of the switch. To discover the IP address of the switch, use the NETGEAR Insight app or another discovery method (see [Use another method to discover the switch](#)).
3. If you did not yet register the switch with the NETGEAR Insight app, click one of the following buttons:

- **Register Your Device:** This button displays if the switch is connected to the Internet. You can register the switch and activate the warranty. For information about the many benefits of registering your switch, visit www.netgear.com/why-register/.
- **Enter Registration Key:** If you obtained a registration key, for example by registering your switch on the MyNETGEAR.com site, you can enter the key and then log in to the device UI.

Continued on the next page.



- **Skip Registration and Access the UI:** Registration is not mandatory, but we highly recommend it. If you do not register the switch within 30 days of purchase, your warranty entitlement might be affected.

4. If prompted, enter the default device admin password, which is **password**, and click the **Go** button.
5. If the Change Default Password page displays, specify and confirm a new device admin password, click the **Submit** button, and log in again using your new password.

The System Information page displays. You can now configure the switch. For more information about configuring the switch from the device UI, see the user manual, which you can download by visiting www.netgear.com/support/.

Change the management mode to Insight

Note: Follow this procedure only if you want to change the management mode to NETGEAR Insight.

By default, the management mode in the device UI is set to Directly Connect to Web Browser Interface, which lets you configure the switch from the device UI.

To manage the switch remotely from the cloud with the NETGEAR Insight Cloud Portal or Insight app, change the management mode in the device UI.

1. Open a web browser from a computer or tablet connected to the same network as your switch.

You can use a wired or WiFi connection.

2. In the address field of your web browser, enter the IP address of the switch.

The Device UI login page displays.

If you did not yet register the switch, the Register to activate your warranty page displays. For more information, see [Log in to the device UI to configure the switch](#).

3. Enter your device admin password.

This is the password that you specified the first time that you logged in to the device UI.

4. Click the **Go** button.

The System Information page displays.

5. Select the **NETGEAR Insight Mobile App and Insight Cloud Portal** radio button.

6. In the pop-up window, click the **OK** button.

7. Click the **Apply** button.

8. In the pop-up window, click the **OK** button.

Your settings are saved.

The first time that you change the management mode to Insight, the switch is reset to its factory default settings, and you must configure the switch using the NETGEAR Insight Cloud Portal or Insight app. We recommend that you use the Insight Cloud Portal.

Note: You can still log in to the device UI and access a limited menu, but instead of the device admin password, you now must enter the Insight network password for the Insight network location to which you added the switch.

Support and Community

Visit netgear.com/support to get your questions answered and access the latest downloads.

You can also check out our NETGEAR Community for helpful advice at community.netgear.com.

Regulatory and Legal

Si ce produit est vendu au Canada, vous pouvez accéder à ce document en français canadien à <https://www.netgear.com/support/download/>.

(If this product is sold in Canada, you can access this document in Canadian French at <https://www.netgear.com/support/download/>.)

For regulatory compliance information including the EU Declaration of Conformity, visit <https://www.netgear.com/about/regulatory/>.

See the regulatory compliance document before connecting the power supply.

For NETGEAR's Privacy Policy, visit <https://www.netgear.com/about/privacy-policy>.

By using this device, you are agreeing to NETGEAR's Terms and Conditions at <https://www.netgear.com/about/terms-and-conditions>. If you do not agree, return the device to your place of purchase within your return period.

Do not use this device outdoors. The PoE source is intended for intra building connection only.

NETGEAR, Inc.
350 East Plumeria Drive
San Jose, CA 95134, USA

NETGEAR INTERNATIONAL LTD
Floor 1, Building 3
University Technology Centre
Curraheen Road, Cork,
T12EF21, Ireland

© NETGEAR, Inc., NETGEAR and the NETGEAR Logo are trademarks of NETGEAR, Inc. Any non-NETGEAR trademarks are used for reference purposes only.