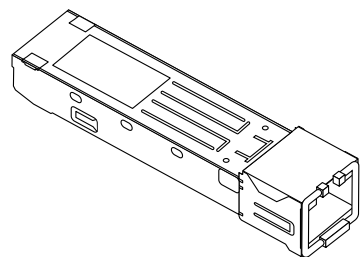


Installation Guide

10GBASE-T/1000BASE-T SFP+ Module

Model AXM765



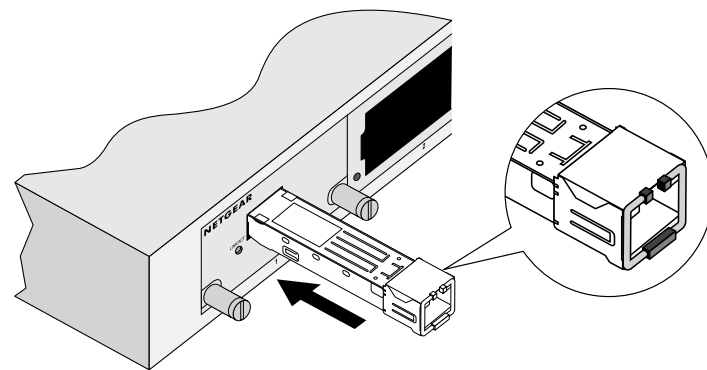
The AXM765 SFP+ module is a low-power, high-performance, multi-gigabit 10G/1000BASE-T transceiver. The AXM765 delivers 10 Gb network connectivity with cabling up to 98.5 feet (30 meters) and delivers 1G network connectivity speed through 328 feet (100 meters) of Category 5e (Cat 5e) or Cat 6 Ethernet cable.

The module is compatible with the IEEE 802.3an/ab standard.

The switch automatically detects the module, so you can simply plug it into an available module slot. You can insert or remove the module while the switch is operational.

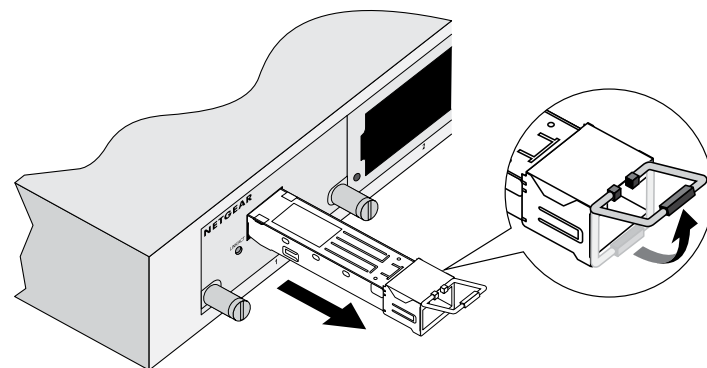
Install the Module

Insert the module firmly into a slot that supports the SFP+ interface. Make sure that the cable you use is Category 5e (Cat 5e) or higher rated Ethernet cable (Cat 6, Cat 6a, or Cat 7).



Remove the Module

1. To release the module latch, pull up the handle bar across the module.
2. Pull the module out of the module slot.



Technical Specifications

Standards	IEEE 802.3an, IEEE 802.3ab, SFF-8431 and SFF-8432 MSA-compliant
Dimensions (H x W x D)	0.53 in. x 0.53 in. x 2.57 in. (13.7 mm x 13.4 mm x 65.4 mm)
Weight	0.5 oz (14.17 g)
Operating temperature	32-158°F (0-70°C)
Operative relative humidity	85% at 77°F (25°C)
Operating distance	10GBASE-T up to 98.5 ft (30 m) with Cat 6a (or higher rated) Ethernet cable 1GBASE-T up to 328 ft (100 m) of Cat 5e (or higher rated) Ethernet cable
Connectors	RJ45
Power consumption	2.5W
Safety certification	IEC/EN 60950-1, UL60950
Environmental compliance	RoHS

Support

Thank you for purchasing this NETGEAR product. You can visit www.netgear.com/support to register your product, get help, access the latest downloads and user manuals, and join our community. We recommend that you use only official NETGEAR support resources.

Si ce produit est vendu au Canada, vous pouvez accéder à ce document en français canadien à <http://downloadcenter.netgear.com/other/>.
(If this product is sold in Canada, you can access this document in Canadian French at <http://downloadcenter.netgear.com/other/>.)

For the current EU Declaration of Conformity, visit <http://kb.netgear.com/11621>.

For regulatory compliance information, visit <http://www.netgear.com/about/regulatory/>.

See the regulatory compliance document before connecting the power supply.



201-21572-03

June 2018

© NETGEAR, Inc., NETGEAR and the NETGEAR Logo are trademarks of NETGEAR, Inc. Any non-NETGEAR trademarks are used for reference purposes only.

NETGEAR, Inc.
350 East Plumeria Drive
San Jose, CA 95134, USA



NETGEAR INTL LTD
Building 3, University Technology Centre
Curraheen Road, Cork, Ireland