

# NuTone<sup>®</sup>

INSTALLATION INSTRUCTIONS  
READ & SAVE THESE INSTRUCTIONS!

## Model: ISB-53LW Outside Speaker

For outdoor use with IMA-516 amplifier

### LOCATION

1. Determine location for the speaker on outside of house; near patio, on a porch or other suitable location.
2. Locate speaker at a convenient operating height; approximately 4 1/2 feet above ground level.

### WIRING (FRAME)

Run IW-6 cable from amplifier to patio speaker location.

### MOUNTING (FRAME)

**NOTE:** Before attaching the mounting frame to wall, apply a continuous bead of caulk around the back edge of the frame.

REFER TO FIGURE 1.

**WHEN REMOTE WIRING IS CONCEALED:** Cut a slot in rubber gasket where wires will come through and position the frame. Position frame over speaker location and secure to wall surface through mounting holes in top and bottom of frame. Secure mounting frame to wall with two (2) #6 x 1 3/4" mounting screws.

### WIRING CONNECTIONS

REFER TO FIGURE 2.

1. Connect wires from amplifier to the six screws shown.

### MOUNTING

REFER TO FIGURE 3.

1. Carefully place excess wire into mounting frame.
2. Secure patio speaker to frame with two (2) #6 x 1 3/4" mounting screws (furnished).

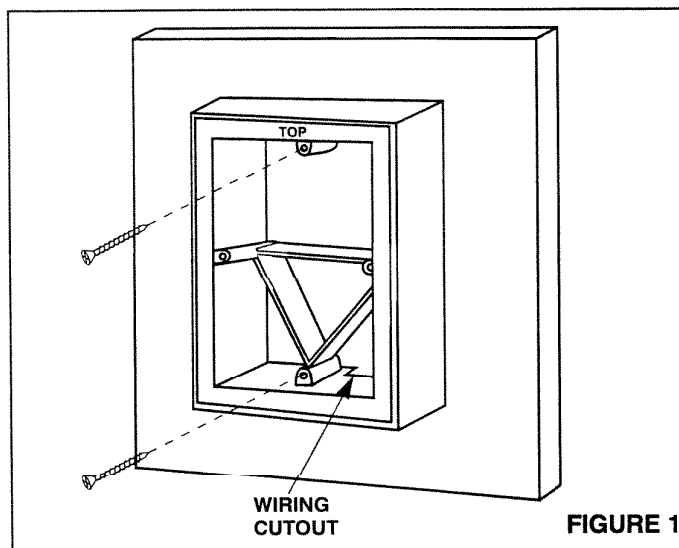


FIGURE 1

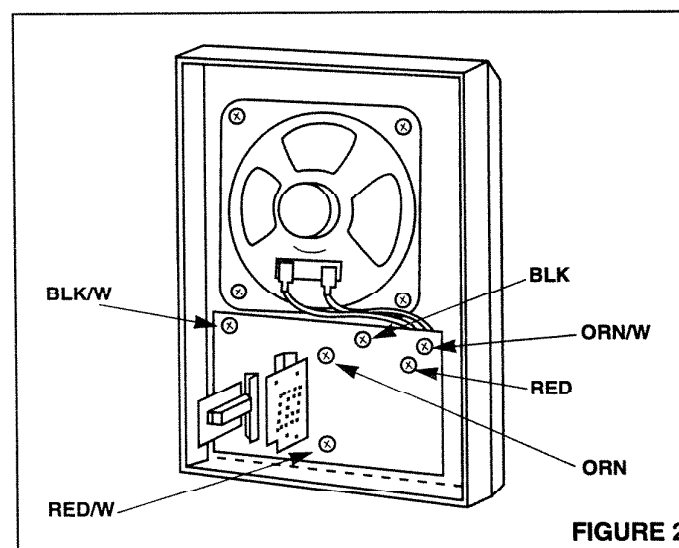


FIGURE 2

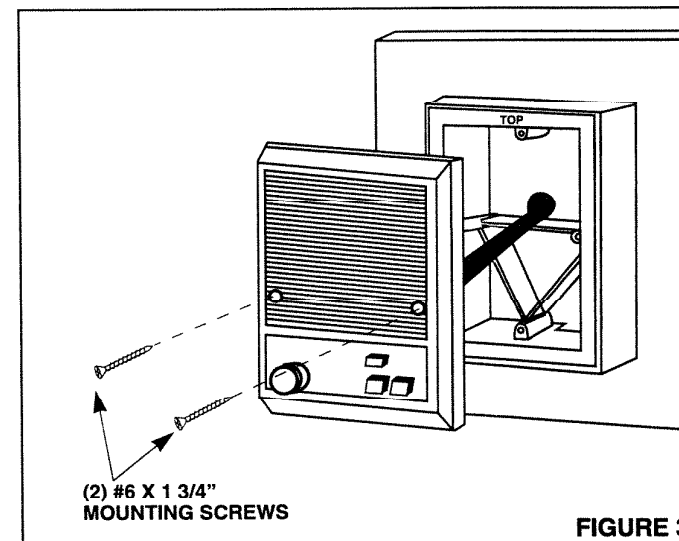


FIGURE 3

# NuTone<sup>®</sup>

## Two Year Limited Warranty

**WARRANTY OWNER:** NuTone warrants to the original consumer purchaser of its products that such products will be free from defects in materials or workmanship for a period of two (2) years from the date of original purchase. **THERE ARE NO OTHER WARRANTIES, EXPRESS OR IMPLIED INCLUDING, BUT NOT LIMITED TO, IMPLIED WARRANTIES OF MERCHANTABILITY OR FITNESS FOR A PARTICULAR PURPOSE.**

During this two year period, NuTone will, at its option, repair or replace, without charge, any product or part which is found to be defective under normal use and service. THIS WARRANTY DOES NOT EXTEND TO FLUORESCENT LAMP STARTERS OR TUBES, FILTERS, DUCT, ROOF CAPS, WALL CAPS AND OTHER ACCESSORIES FOR DUCTING. This warranty does not cover (a) normal maintenance and service or (b) any products or parts which have been subject to misuse, negligence, accident, improper maintenance or repair (other than by NuTone), faulty installation or installation contrary to recommended installation instructions.

The duration of any implied warranty is limited to the one year period as specified for the express warranty. Some states do not allow limitation on how long an implied warranty lasts, so the above limitation may not apply to you.

**NUTONE'S OBLIGATION TO REPAIR OR REPLACE, AT NUTONE'S OPTION, SHALL BE THE PURCHASER'S SOLE AND EXCLUSIVE REMEDY UNDER THIS WARRANTY. NUTONE SHALL NOT BE LIABLE FOR INCIDENTAL, CONSEQUENTIAL OR SPECIAL DAMAGES ARISING OUT OF OR IN CONNECTION WITH PRODUCT USE OR PERFORMANCE.** Some states do not allow the exclusion or limitation of incidental or consequential damages, so the above limitation or exclusion may not apply to you. This warranty gives you specific legal rights, and you may also have other rights, which vary from state to state. This warranty supersedes all prior warranties.

**WARRANTY SERVICE:** To qualify for warranty service, you must (a) notify NuTone at the address stated below or telephone 1/800-543-8687, (b) give the model number and part identification and (c) describe the nature of any defect in the product or part. At the time of requesting warranty service, you must present evidence of the original purchase date.

Date of Installation

Builder or Installer

Model No. and Product Description

### IF YOU NEED ASSISTANCE OR SERVICE:

For the location of your nearest NuTone Independent Authorized Service Center:

**Residents of the contiguous United States Dial Free 1-800-543-8687**

Please be prepared to provide:

Product model number • Date and Proof of purchase • The nature of the difficulty

**Residents of Alaska or Hawaii should write to:** NuTone Inc. Attn: Department of National Field Service, Madison and Red Bank Roads, Cincinnati Ohio 45227-1599

**Residents of Canada should write to:** NuTone Canada Inc., 6300 Tomken Road, Mississauga, Ontario, Canada L5T 1N2.

Rev. 4/99