

Inside/Outside Speakers

MODELS IS-78 (Inside) & IS-79 (Outside)

INSTALLATION IS-78 (Inside Speaker)

use IR-8 rough-in frame with IC-21, ICB-31, and ICA-41 remote controls in 3 gang outlet box, also Models 2518 and 2519 stereo remote controls. Connect twisted pair cable (IW-2) previously pulled from remote control to terminal screws on back of speaker (Figure 1). (See appropriate remote control instructions for complete wiring details).

REMODELING (No Rough-in Frame required)

Cut 9" square hole in desired location.

Run twisted pair cable (IW-2) from remote control and connect to terminal screws on back of speaker.

Fasten speaker to wall with screws provided.

INSTALLATION IS-79 (Outside Speaker)

Use IR-9 rough-in housing with IC-21, ICB-31, or ICA-41 remote controls in IA-9 housing, or 2515 remote control for stereo.

Fasten twisted pair cable (IW-2) from remote controls to terminals on back of speaker.

Fasten speaker to IR-9 rough-in frame. (Figure 2)

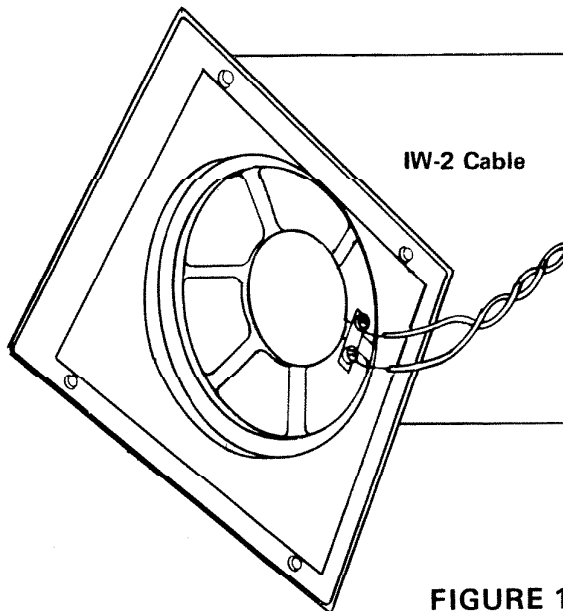


FIGURE 1

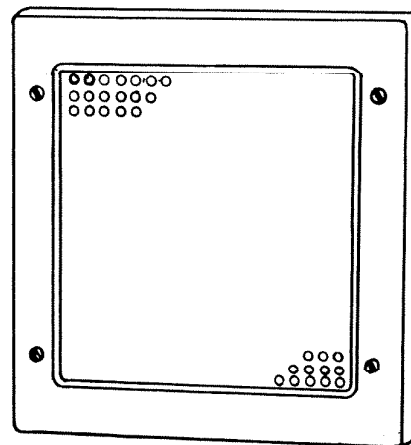


FIGURE 2