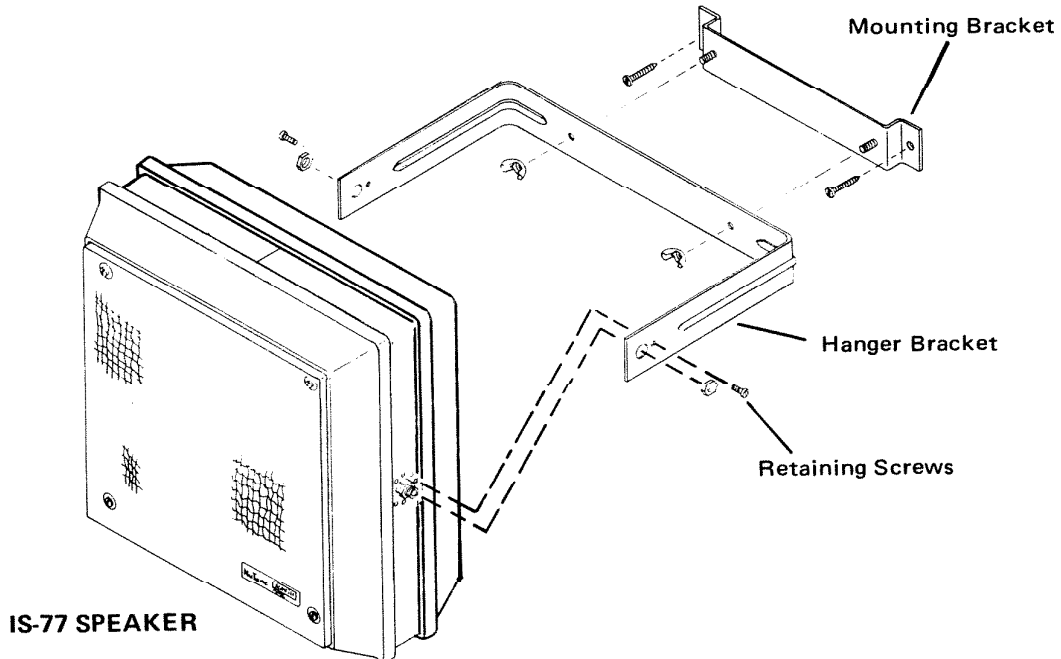


INSTALLATION INSTRUCTIONS

NUTONE MODEL IS-77

Surface Mounted Outside Speaker



For use with IC-21, ICA-31 and ICA-41 Remote Controls in IA-19 Weather Shield and 2515 Stereo Outside Remote Control.

INSTALLATION

Remove mounting bracket from speaker hanger bracket and fasten to eave or wall with lag screws furnished (Fig. 1).

With name plate facing away from wall — mount hanger bracket to mounting bracket. Fasten securely with wing nuts (Fig. 1).

Connect twisted pair cable (IW-2) previously run from remote control to speaker wires with wire nuts furnished. (See IC-21, ICA-31 and ICA-41 instructions packaged with controls for wiring details.)

Loosen retaining screws on side of speaker housing and tilt speaker to desired position. Retighten screws securely (Fig. 1).

FOR STEREO INSTALLATION WITH MODEL 2515 REMOTE CONTROL

Follow wiring instructions packaged with control. For stereo, mount second speaker as above.