

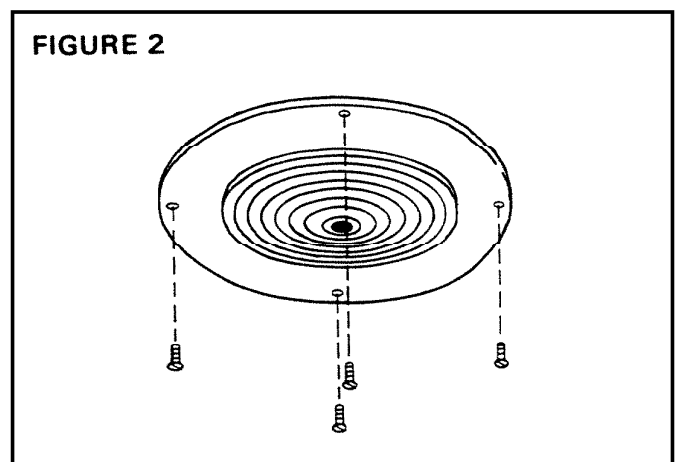
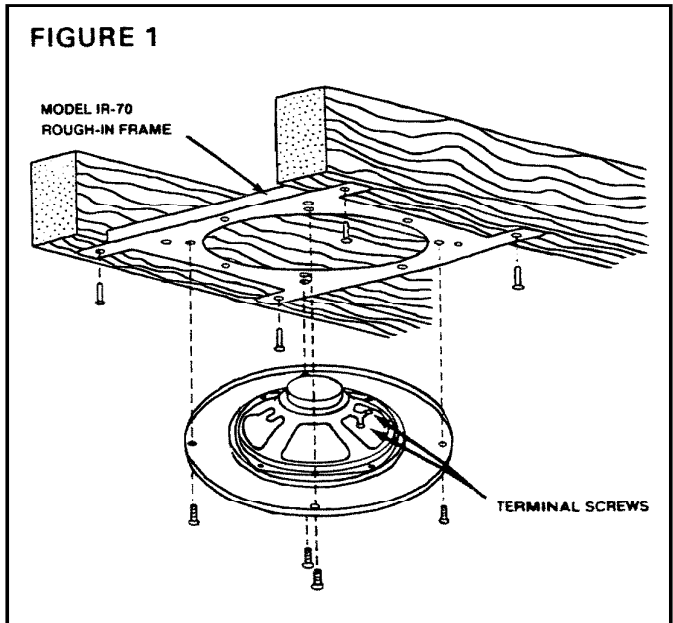
Inside Speaker

Model: IS-76

INSTALLATION

Refer to Figure 1. Using NuTone's Model: IR-70 Rough-In Frame, connect twisted pair of cable (IW-2) previously pulled from remote control to terminal screws on back of speaker. (NOTE: Refer to the appropriate remote control instructions for complete wiring details.)

Refer to Figure 2. As illustrated, secure the speaker frame to the rough-in with four (4) screws.



Product specifications subject to change without notice.