

# INSTALLATION INSTRUCTIONS

## NuTone Model IS-64

### Surface Mounted Door Speaker

#### LOCATION AND MOUNTING

The speaker should be installed near the door at a convenient height for easy access to the door signal push button.

Locate speaker away from any adjacent surfaces to allow installation of top and bottom speaker housing mounting screws (Fig. 1)

Pull speaker and push button wire through hole in base plate and secure to wall surface with screws provided. (Fig. 1)

NOTE: On Masonary wall drill appropriate holes and install plastic screw anchors.

#### WIRING

##### WHEN USED WITH IM-226 SECURICOM

Remove push button from door speaker housing by exerting pressure from rear of pushbutton. Connect previously installed identified Red - Red/White wires from master to push button terminals. Reinsert push button into speaker housing. (Fig. 2)

Connect Black - Black/White wires to speaker terminal board (Fig. 2)

NOTE: Connect Orange - Orange/White wires to wiring from front entry detector device.

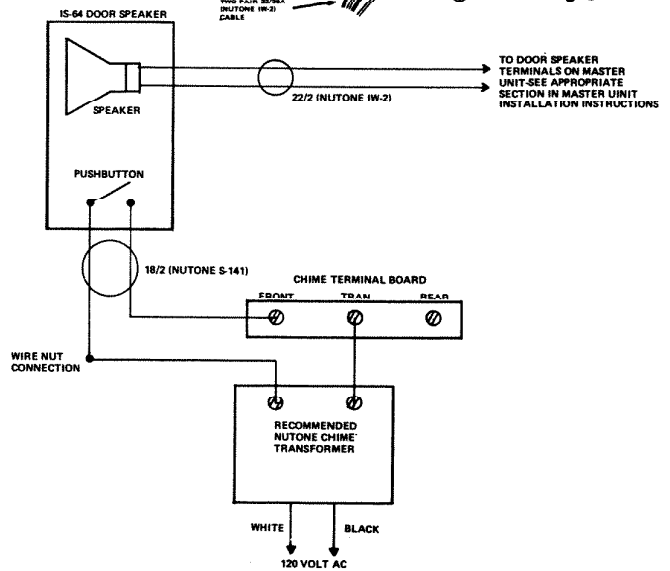
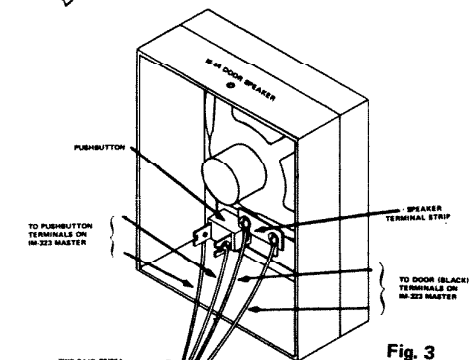
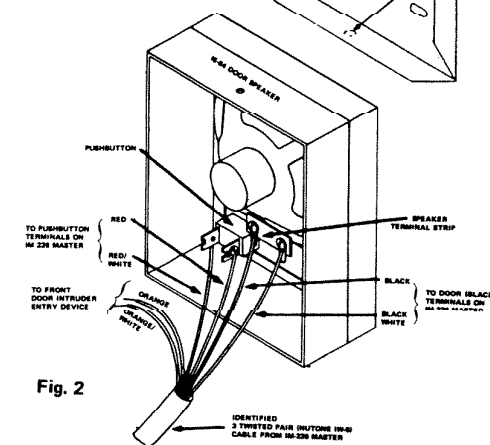
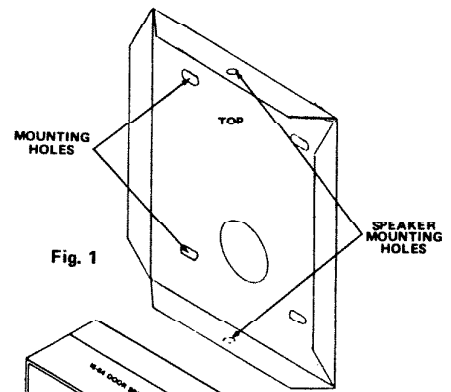
##### WHEN USED WITH IM-323 SECURICOM

Connect previously installed (identified) wires from master unit to push button and speaker terminals. (Fig. 3)

##### WHEN USED WITH OTHER INTERCOM SYSTEMS

Connect push button wiring from chime location to push button terminals. (Fig. 4)

Connect previously run wiring from master location to speaker terminal board. (Fig. 4)



**NuTone**

MADISON & RED BANK ROADS

CINCINNATI, OHIO 45227

PHONE 1-513-527-5415

Printed in U.S.A.  
Part No. 46463