

5" Patio Speaker with Controls

Model: IS-409

For use with IM-4006 SERIES
Radio-Intercom System.

LOCATION

1. Determine location for the speaker on outside of house—near patio on porch, or other desired location.
2. Locate speaker at a convenient operating height—approximately 4½ feet above ground.

WIRING (FRAME)

1. Run cable from master station to patio speaker location.
2. Run wiring through hole in the mounting frame. Wrap cable around plastic projection under wiring access hole. See Figure 1.

MOUNTING (FRAME)

1. The mounting frame may be mounted directly to the exterior wall, or to a single-gang outlet box mounted in the wall.
2. Before attaching the mounting frame to wall, apply a continuous bead of caulk around the back edge of the frame.
3. Secure mounting frame to wall with two (2) #6—32 x 1¼" mounting screws. See Figure 1.

WIRING

Remove plastic clip that holds the rubber gasket to the printed circuit board. See Figure 2.

NOTE: Two (2) wiring connectors (See Figure 3) are packed with each remote speaker. One of these connectors will be used at the master station for connection to the terminal board. (See IM-4006 Series Installation Instructions for terminal board connection). The other will be used at this remote speaker for connection. Use the following procedure:

- (A) Cut the end of the IW-6R cable off square. See Figure 4.
- (B) Insert cable into the upper part of connector from the NOTCHED end and with the BLUE wire on the same side as the word BLUE that is stamped on the top of the connector. The cable should be inserted 1/8" beyond the back of the connector. See Figure 3.
- (C) Using a standard pair of slip-joint pliers in the open position, clamp the cable and connector together tightly. See Figure 6. (This will automatically make the wire connection to the connector.)

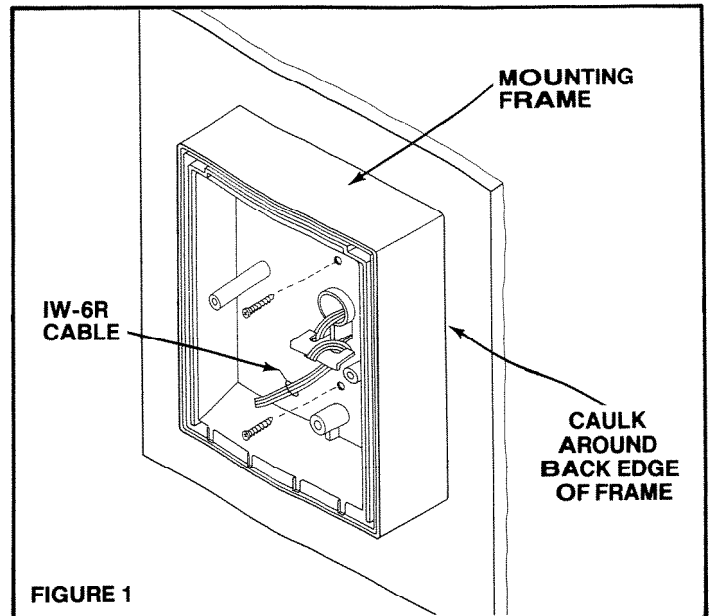


FIGURE 1

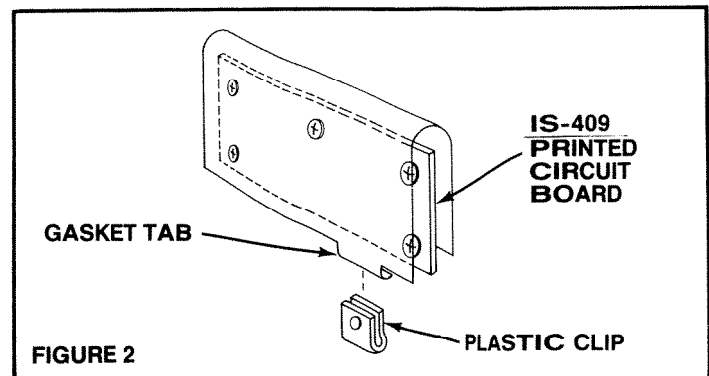


FIGURE 2

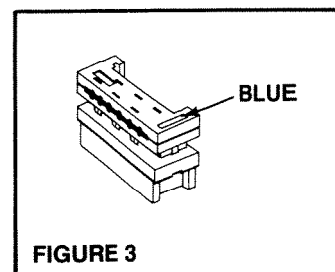


FIGURE 3

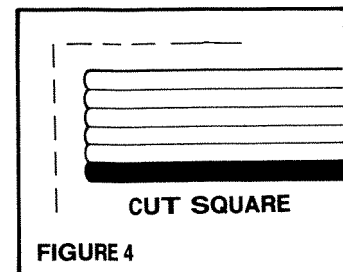


FIGURE 4

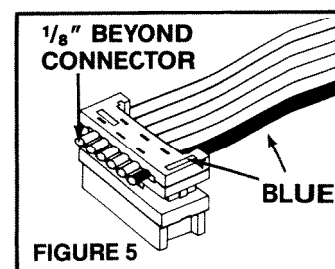


FIGURE 5

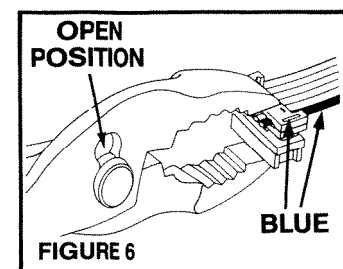


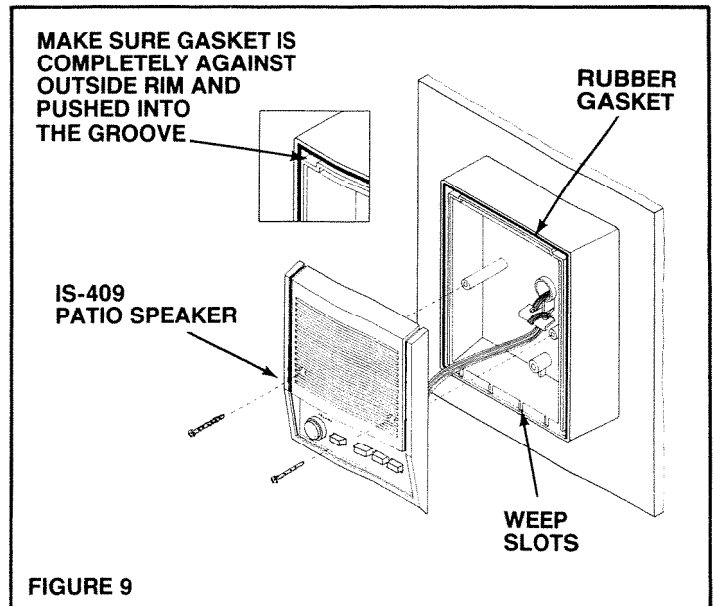
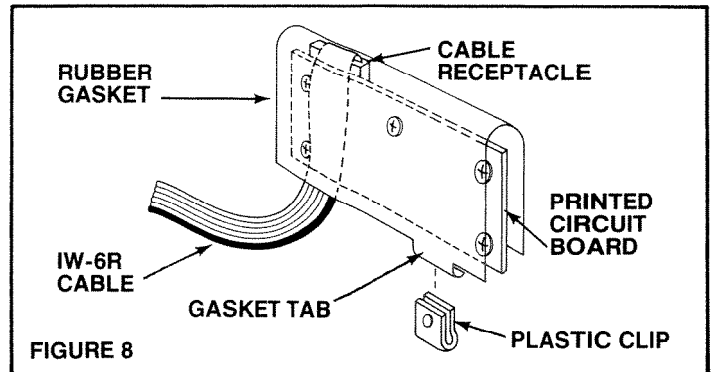
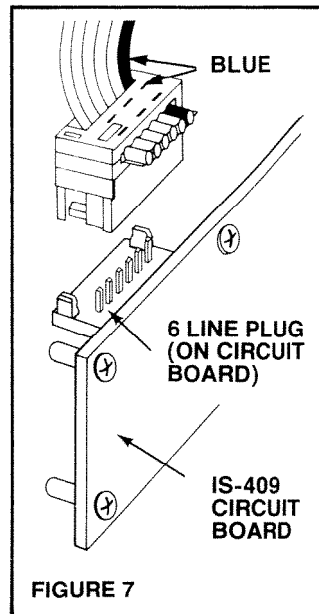
FIGURE 6

(D) Plug the cable connector onto plug on the circuit board.
See Figure 7.

(E) Fold rubber gasket over installed ribbon cable and receptacle. Hold gasket tab to printed circuit board by folding tab over and sliding the removed plastic clip over tab and printed circuit board. See Figure 8.

MOUNTING

1. Carefully place excess wire into mounting frame.
See Figure 9.
2. Place gasket (furnished) into groove of mounting frame.
The gasket will fit into both side and top grooves. The bottom of the frame where the weep slots are should not be filled with the gasket material. See Figure 9.
3. Place edge of the patio speaker into groove of the mounting frame. Make sure the patio speaker and frame fit together tightly.
4. Secure patio speaker to frame with two (2) #8 x 2" mounting screws (furnished) See Figure 9.



Refer to the Radio-Intercom System's Operator's Manual for operating instructions and warranty information. If Operator's Manual has been misplaced, write to : NuTone, Madison and Red Bank Roads, Cincinnati, Ohio 45227. Attention: Department of National Field Service.

Product specifications subject to change without notice.

NuTone

Madison and Red Bank Roads, Cincinnati, Ohio 45227
Printed in U.S.A. Rev. 4/88, Part No. 49887