

## 5" Inside Speaker

### Model: IS-405

For use with the IM-4006  
Radio-Intercom System.

### ROUGH-IN FRAME MOUNTING

The IS-405 5" Speaker is mounted to the IR-50 Rough-In Frame.

### New Construction

The IR-50 Frame is mounted to a wall stud during rough-in construction. The wiring—IW-6R, 6-conductor ribbon cable—is also run during rough-in construction. The Speaker is mounted to the frame once the finished wall is in place. See IR-50 Installation Instructions.

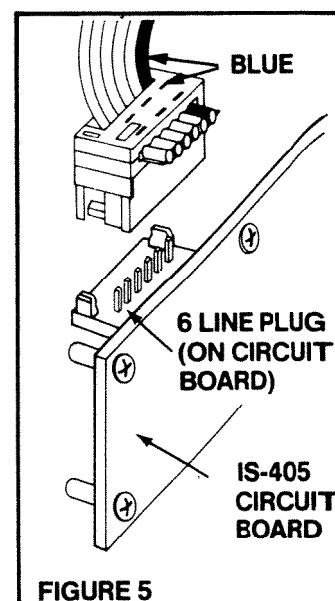
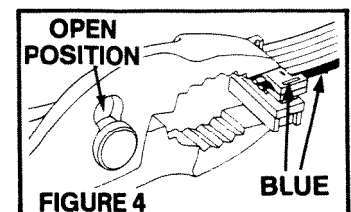
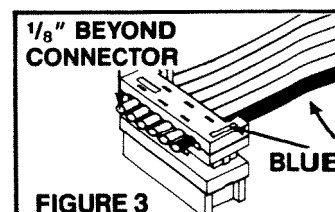
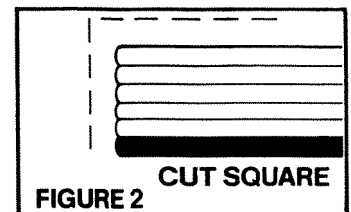
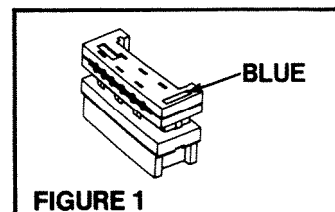
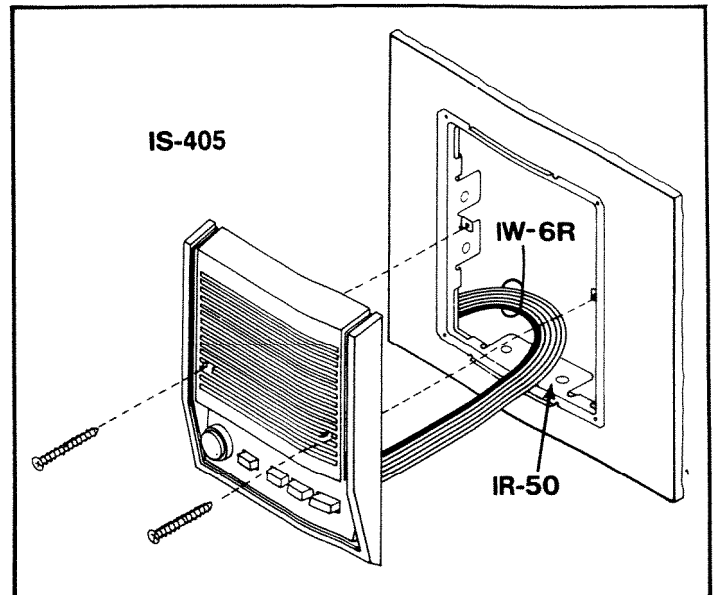
### Existing Construction

The IR-50 Frame requires a cutout in the finished wall. The Frame may be mounted either directly to a wall stud or between wall studs. The wiring (IW-6R, 6-conductor ribbon cable) is installed through the existing walls. See IR-50 Installation Instructions.

### WIRING

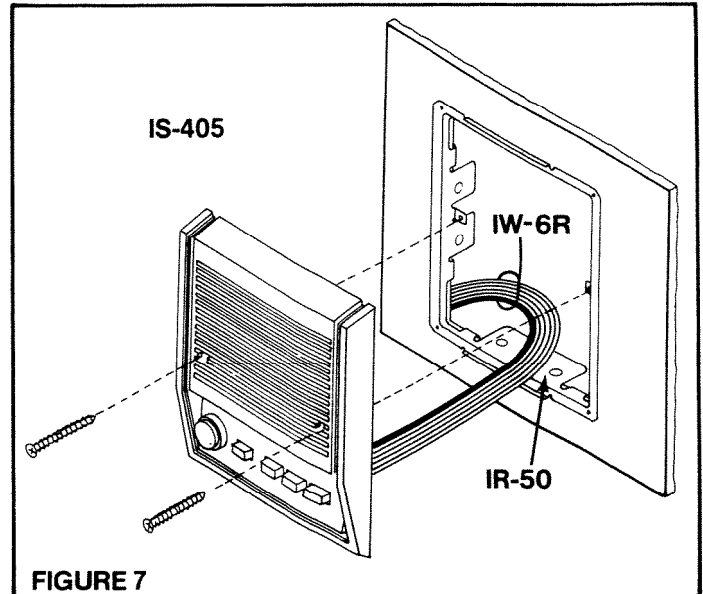
**NOTE:** Two (2) wiring connectors (see Figure 1) are packed with each remote speaker. One of these connectors will be used at the master station for connection to the terminal board. (See IM-4006 Series Installation Instructions for terminal board connection). The other will be used at this remote speaker for connection. Use the following procedure:

- (A) Cut the end of the IW-6R cable off square. See Figure 2.
- (B) Insert cable into the upper part of connector from the NOTCHED end and with the BLUE wire on the same side as the word BLUE that is stamped on the top of the connector. The cable should be inserted 1/8" beyond the back of the connector. See Figure 3.
- (C) Using a standard pair of slip-joint pliers in the open position, clamp the cable and connector together tightly. See Figure 4. (This will automatically make the wire connection to the connector.)
- (D) Plug the cable connector onto plug on the circuit board. See Figure 5.



## MOUNTING

1. Carefully place wires inside wall.
2. Using two mounting holes in the sides of the speaker body, secure the speaker to the frame with two (2) provided screws. See Figure 7.



**Refer to the Radio-Intercom system's Operator's Manual for operating instructions and warranty information. If Operator's Manual has been misplaced, write to: NuTone, Madison and Red Bank Roads, Cincinnati, Ohio 45227. Attention: Department of National Field Service.**

Product specifications subject to change without notice.

# NuTone

Madison and Red Bank Roads, Cincinnati, Ohio 45227  
Printed in U.S.A. Rev. 4/88, Part No. 49871