

## 5" Patio Speaker with Controls

### MODEL: IS-339 Series

- For use with the IM-3303 Series Radio-Intercom Systems.

#### LOCATION

1. Determine location for the speaker on outside of house – near patio, on porch, or other desired location.
2. Locate speaker at a convenient operating height approximately 4½ feet above ground.

#### WIRING

1. Run cable from master station to patio speaker location.
2. **Refer to Figure 1.** Run wiring through hole in the mounting frame. Wrap cable around plastic projection under wiring access hole.

#### WIRE MATCHING CHART

NuTone has adopted the use of a 3-wire color-coded cable. If you are replacing an older model Radio-Intercom, use this chart to match the “copper/center/silver” designations of older wiring with the “blue/grey/red stripe” color-coded wire.

EXISTING CABLE	NEW CABLE
WIRE	INSULATION
Copper	Blue
Center	Grey
Silver	Red Stripe

#### MOUNTING THE FRAME

1. The mounting frame may be mounted directly to the exterior wall, or to a single-gang outlet box mounted in the wall.
2. Before attaching the mounting frame to wall, apply a continuous bead of caulk around the back edge of the frame.
3. **Refer to Figure 1.** Secure mounting frame to wall with two (2) #6 – 32 x 1¼" mounting screws.

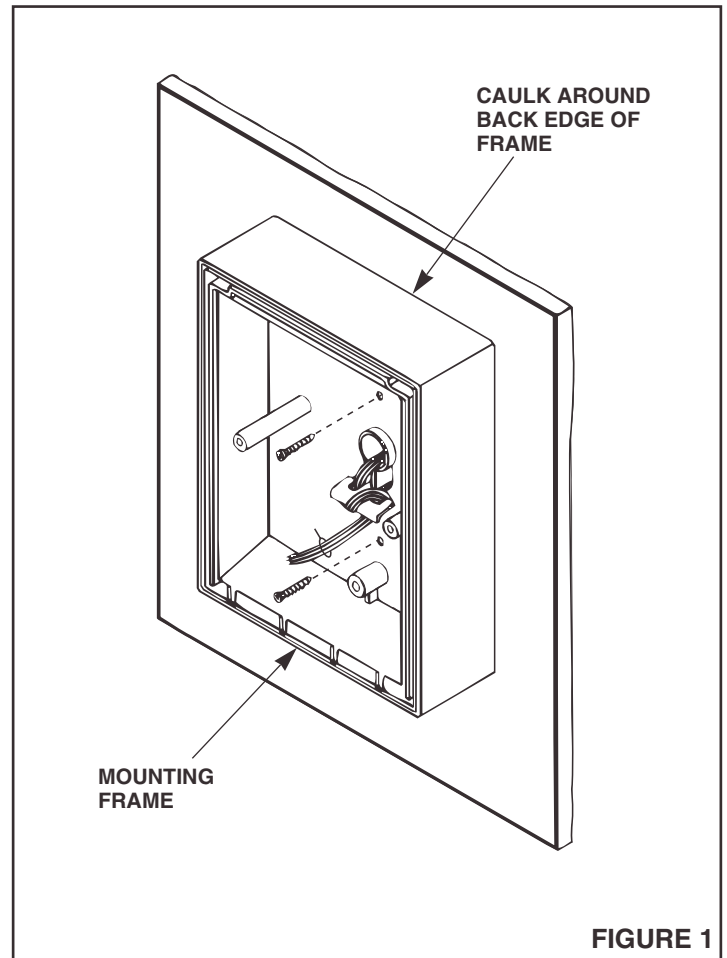


FIGURE 1

## MAKING THE CONNECTIONS

1. Refer to Figure 2. Remove plastic clip that holds the rubber gasket to the printed circuit board.
2. Refer to Figure 3. Connect color-coded wires (IWA-3 cable) from master unit to the matching terminal screws on the patio speaker's printed circuit board as follows: red stripe wires to terminal marked RED-STRIPE/SILVER; grey wire to terminal marked GREY/CENTER; blue wire to terminal marked BLUE/COPPER.
3. Refer to Figure 2. Fold rubber gasket over terminal screw connections. Hold gasket to printed circuit board by sliding the removed plastic clip over gasket and printed circuit board.

## COMPLETING THE INSTALLATION

### Refer to Figure 4.

1. Carefully place excess wire into mounting frame.
2. Place gasket (furnished) into groove of mounting frame. The gasket will fit into both side and top grooves. The bottom of the frame where the weep slots are should not be filled with the gasket material.
3. Place edge of the patio speaker into groove of the mounting frame. Make sure the patio speaker and frame fit together tightly.
4. Secure patio speaker to frame with two (2) #8 x 2" mounting screws (furnished).

Refer to the IM-3303 Operator's Manual for operating instructions and warranty information. If Operator's Manual has been misplaced, write to: NuTone, Madison and Red Bank Roads, Cincinnati, Ohio 45227. Attention: Literature Requests.

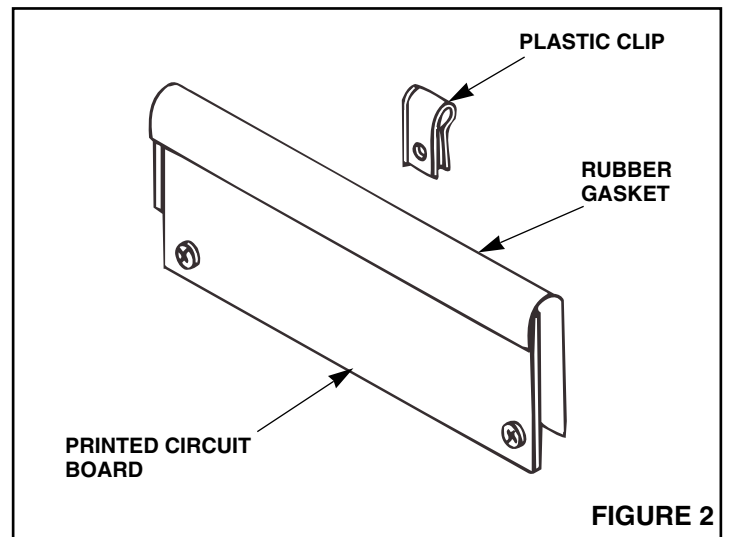


FIGURE 2

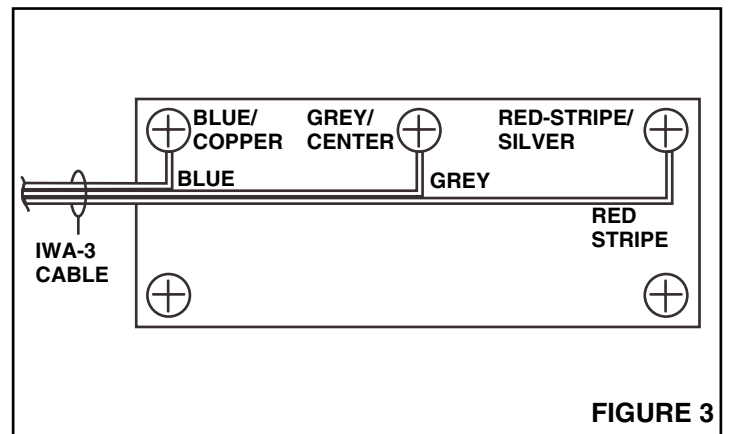


FIGURE 3

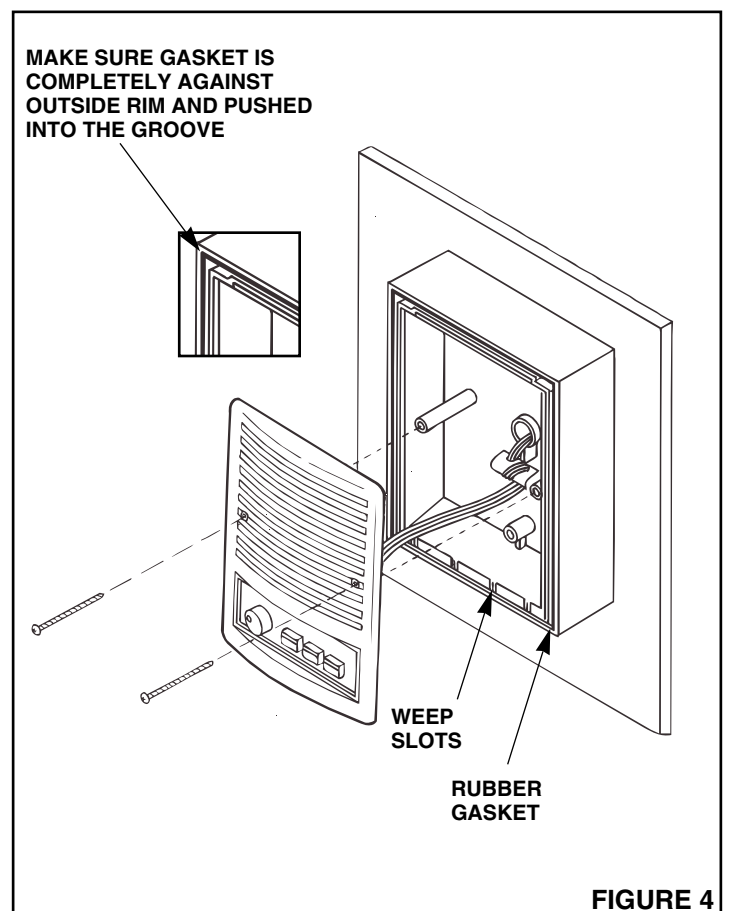


FIGURE 4

Product specifications subject to change without notice.

**NuTone**

4820 Red Bank Road, Cincinnati, Ohio 45227  
Printed in China, 4/02, Part No.85155