

5" Patio Speakers

MODEL: IS-319 SERIES

- Recess-mounted using NuTone Model: IR-50 Rough-In Frame.
- When an enclosed rough-in is desired, use NuTone Model: IR-55 Rough-In Frame.
- Rough-In Frame(s) are sold separately.

ROUGH-IN FRAME MOUNTING

The speaker is mounted to the IR-50 or IR-55 Rough-In Frame.

NEW CONSTRUCTION

NOTE: Refer to the instructions packaged with the rough-in.

The rough-in frame is mounted to a wall stud during rough-in construction. The wiring is ran from the master unit to the speaker location. The speaker is then mounted to the rough-in frame once the wall is in place.

EXISTING CONSTRUCTION

NOTE: Refer to the instructions packaged with the rough-in.

The rough-in frame requires a cutout to the finished wall. The frame may be mounted either directly to a wall stud or between the wall studs. The wiring is installed through the existing wall.

WIRING CONNECTIONS

1. Refer to **Figure 1**. Remove plastic clip that holds the rubber gasket to the printed circuit board.
2. Refer to **Figure 2**. Connect color-coded wires (IWA-3 cable) from master unit to the matching terminal screws on the patio speaker's printed circuit board as follows: red-stripe wire to the terminal marked RED-STRIPE/SILVER; grey wire to terminal marked GREY/CENTER; blue wire to terminal marked BLUE/COPPER.
3. Refer to **Figure 3**. Fold rubber gasket over installed wiring. Hold gasket tab to printed circuit board by folding tab over and sliding the removed plastic clip over tab and printed circuit board.

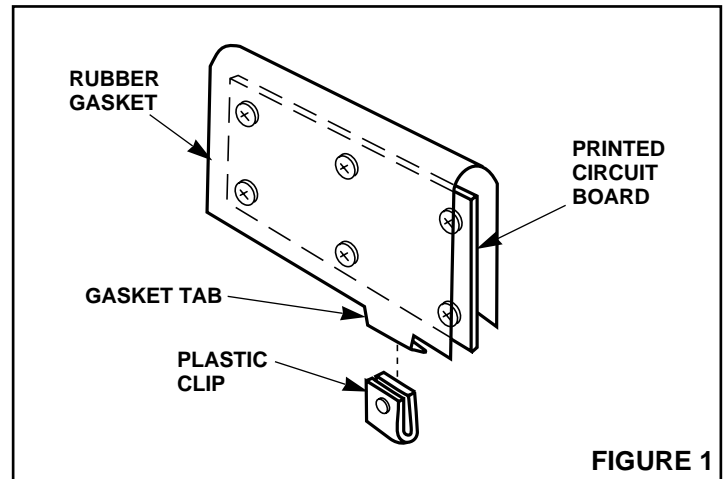


FIGURE 1

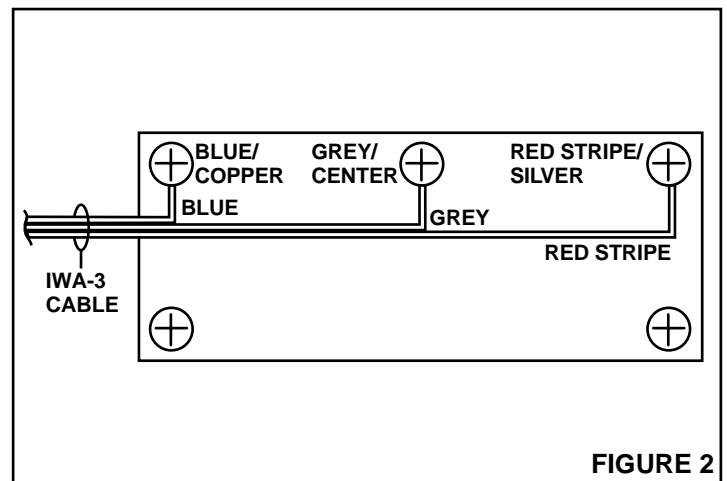


FIGURE 2

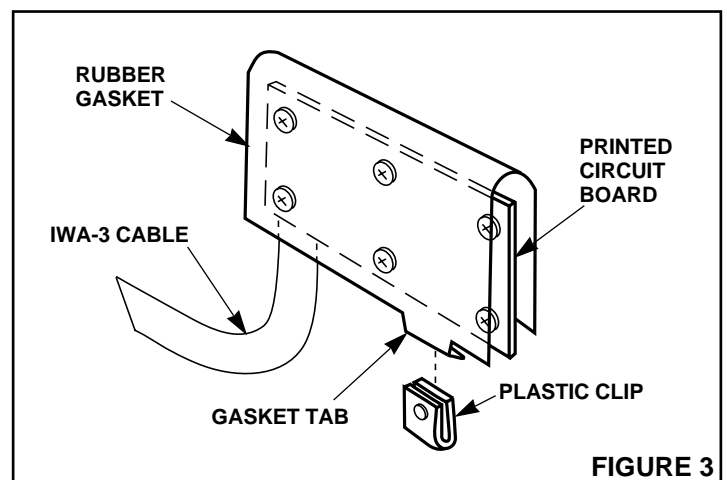


FIGURE 3

MOUNTING

Refer to Figure 4.

1. Carefully place wires inside wall.
2. **IMPORTANT:** These Patio Speakers must be caulked with a waterproofing compound (Silicone Rubber, RTV or equivalent - not supplied by NuTone). Caulk across the top and both sides of the unit only; the bottom of the unit should not be caulked.
3. Using two (2) mounting holes in the sides of the speaker body, secure the speaker to the frame with the two (2) screws provided.

Refer to the Radio-Intercom system's Operator's Manual for operating instructions and warranty information. If Operator's Manual has been misplaced, write to: NuTone, Madison and Red Bank Roads, Cincinnati, Ohio 45227. Attention: Department of National Field Service.

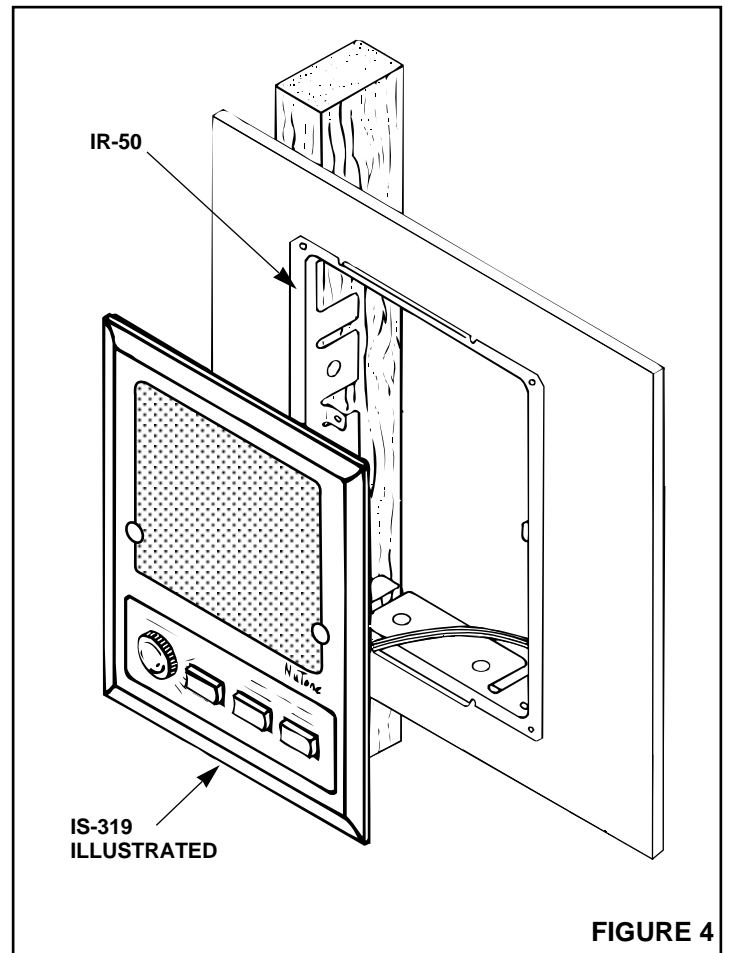


FIGURE 4

Product specifications subject to change without notice.

NuTone[®]

Madison and Red Bank Roads, Cincinnati, Ohio 45227
Printed in U.S.A., Rev. 3/00, Part No. 43732