

5" Patio Speaker with Controls

MODELS: IS-209, IS-309

For use with the IM-2003 Series and IM-3003 Series Radio-Intercom Systems.

LOCATION

1. Determine location for the speaker on outside of house – near patio, on porch, or other desired location.
2. Locate speaker at a convenient operating height – approximately 4-1/2 feet above ground.

WIRING (FRAME)

1. Run cable from master station to patio speaker location.
2. Run wiring through hole in the mounting frame. Wrap cable around plastic projection under wiring access hole. See Figure 1.

MOUNTING (FRAME)

1. The mounting frame may be mounted directly to the exterior wall, or to a single-gang outlet box mounted in the wall.
2. Before attaching the mounting frame to wall, apply a continuous bead of caulk around the back edge of the frame.
3. Secure mounting frame to wall with two (2) #6 – 32 x 1-1/4" mounting screws. See Figure 1.

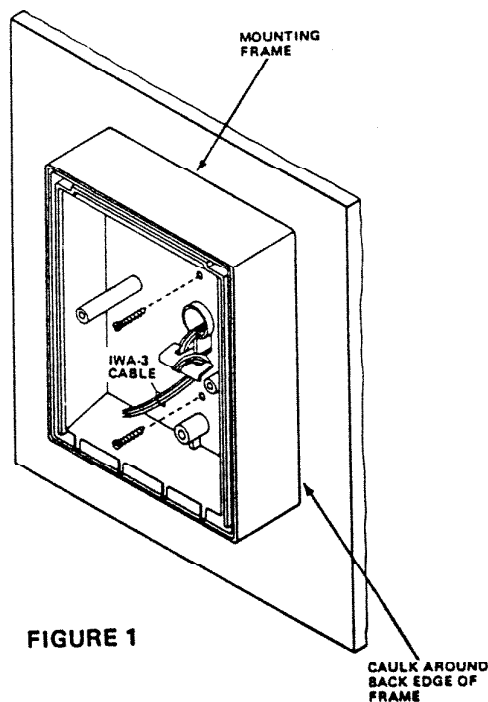


FIGURE 1

WIRE MATCHING CHART

NuTone has adopted the use of a new 3-wire color coded cable. If you are replacing an older model Radio-Intercom, use this chart to match the "copper/center/silver" designations of older wiring with the blue/grey/red-stripe color-coded wire.

| OLD CABLE | NEW CABLE | |
|-----------|------------|--------|
| | Insulation | Wire |
| Copper | Blue | Copper |
| Center | Grey | Center |
| Silver | Red Stripe | Silver |

WIRING CONNECTIONS

1. Remove plastic clip that holds the rubber gasket to the printed circuit board. See Figure 2.
2. Connect color-coded wires (IWA-3 cable) from master unit to the matching terminal screws on the patio speaker's printed circuit board as follows: red-stripe wires to terminal marked RED-STRIPE; grey wire to terminal marked GREY/CENTER; blue wire to terminal marked BLUE/COPPER. See Figure 3.
3. Fold rubber gasket over terminal screw connections. Hold gasket to printed circuit board by sliding the removed plastic clip over gasket and printed circuit board. See Figure 2.

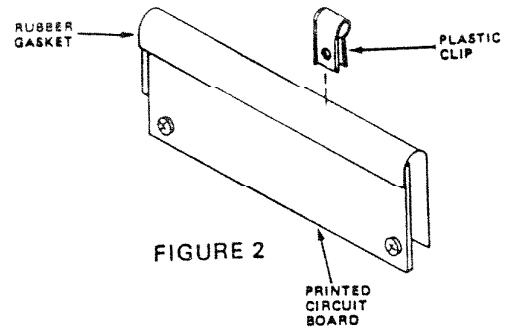


FIGURE 2

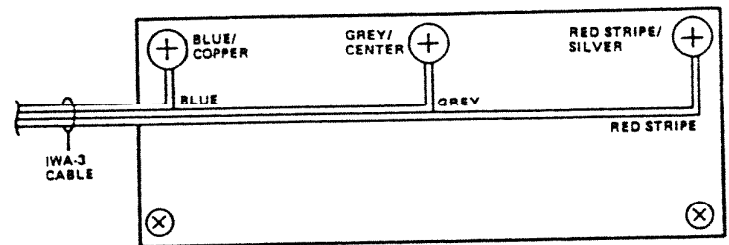


FIGURE 3

MOUNTING

1. Carefully place excess wire into mounting frame. See Figure 4.
2. Place gasket (furnished) into groove of mounting frame. The gasket will fit into both side and top grooves. The bottom of the frame where the weep slots are should not be filled with the gasket material. See Figure 4.
3. Place edge of the patio speaker into groove of the mounting frame. Make sure the patio speaker and frame fit together tightly.
4. Secure patio speaker to frame with two (2) #8 x 2" mounting screws (furnished). See Figure 4.

MAKE SURE GASKET IS COMPLETELY AGAINST OUTSIDE RIM AND PUSHED INTO THE GROOVE

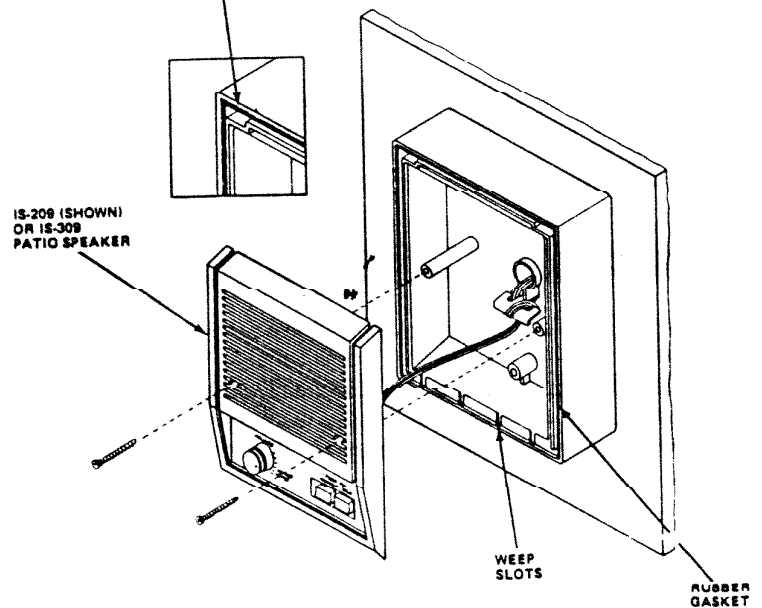


FIGURE 4

LIMITED WARRANTY - NUTONE DIVISION, SCOVILL INC.

Nutone products are warranted to be free from defects in material and workmanship for the "Warranty Period" which is (a) five years from date of original manufacture in the case of Motors employed in all Nutone Padella Fans; and (b) twelve months from date of original installation in the case of all other Nutone products. Light bulbs, dim lights, record changer needles, batteries (with the exception of those specifically designated as rechargeable) and other consumable items, are not warranted or guaranteed in any manner for any length of time.

Our warranty does not cover damage or failure caused by Acts of God, abuse, misuse, abnormal usage, faulty installation, improper maintenance or any repairs other than those provided by a Nutone Authorized Service Center. There are no obligations or liabilities on the part of Nutone or Scovill Inc., for consequential damages arising out of or in connection with use or performance of the product or other indirect damages with respect to loss of property, revenues or profit, or costs of removal, installation or transportation. All implied warranties with respect to Nutone products, including implied warranties for merchantability and implied warranties for fitness, are limited in duration to (a) five (5) years from date of original manufacture in the case of Motors employed in all Nutone Padella Fans; and (b) twelve (12) months from date of original installation in the case of all other Nutone products.

Some states do not allow the exclusion or limitation of incidental or consequential damages and some states do not allow limitations on how long an implied warranty lasts, so the above exclusions or limitations may not apply to you.

During the "Warranty Period", Nutone will repair or replace, at Nutone's sole option, free of charge, any defective parts returned prepaid to our closest Nutone Authorized Service Center, provided, however, Nutone will not be responsible for and will not pay for any costs of expense relative to the removal or reinstallation of any product or any part of any product after the first 12 months of the "Warranty Period" have expired. Please provide the model number of the product, original date of installation and nature of difficulty being experienced. There will be charges rendered for product repairs made after our "Warranty Period" (as defined above) has expired. This warranty gives you specific legal rights and you may have other rights which vary from state to state.

For the name of your nearest Nutone Authorized Service Center, residents of the contiguous United States should call: Toll Free, 800-923-9927.

Residents of Alaska, Hawaii and other locations outside the contiguous United States should write to Nutone Division, Scovill Inc., Madison and Red Bank Roads, Cincinnati, Ohio 45227 - Attention: Department of Consumer Relations. PA-2899-Rev. 9/11/81

Product specifications subject to change without notice.

Nutone

Housing Group **Scovill**

Madison and Red Bank Roads, Cincinnati, Ohio 45227
Printed in U.S.A. 2/84, Part No. 49276