

5" Inside Speakers

MODELS: IS-205, IS-305

For use with the IM-2003 and IM-3003 Radio-Intercom Systems.

ROUGH-IN FRAME MOUNTING

The IS-205 and IS-305 5" Speakers are mounted to the IR-50 Rough-In Frame.

New Construction

The IR-50 Frame is mounted to a wall stud during rough-in construction. The wiring — IWA-3, 3-conductor ribbon cable — is also run during rough-in construction. For IM-3003 Series speakers (IS-305), optional IW-2S phone connection cable may also be run during rough-in construction. (See "OPTIONAL PHONE CONNECTION"). The speaker is mounted to the frame once the finished wall is in place. See IR-50 Installation Instructions.

Existing Construction

The IR-50 Frame requires a cutout in the finished wall. The Frame may be mounted either directly to a wall stud or between wall studs. The wiring (IWA-3 — 3-conductor ribbon cable) is installed through the existing walls. See IR-50 Installation Instructions. For optional phone connection to the IS-305 IW-2S phone cable must also be run through existing walls.

WIRING

Connect color-coded wires from the Master Station to matching terminal screws on the Speaker's printed circuit board. See Figure 1. For phone connection, see "Optional Phone Connection," Figure 4.

MOUNTING

1. Carefully place wires inside wall.
2. Using two mounting holes in the sides of the speaker body, secure the speaker to the frame with two (2) provided screws. See Figures 2 and 3.

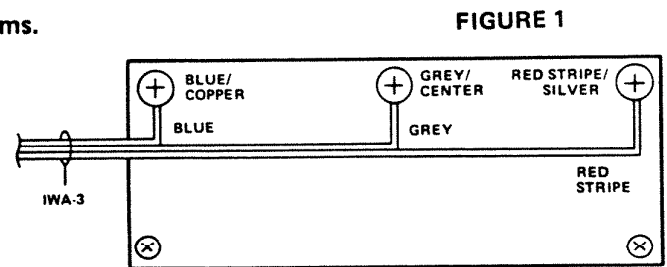


FIGURE 2

IS-205

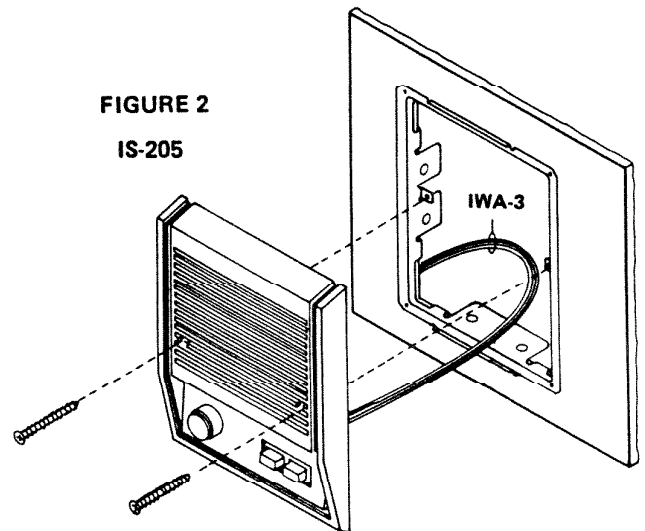
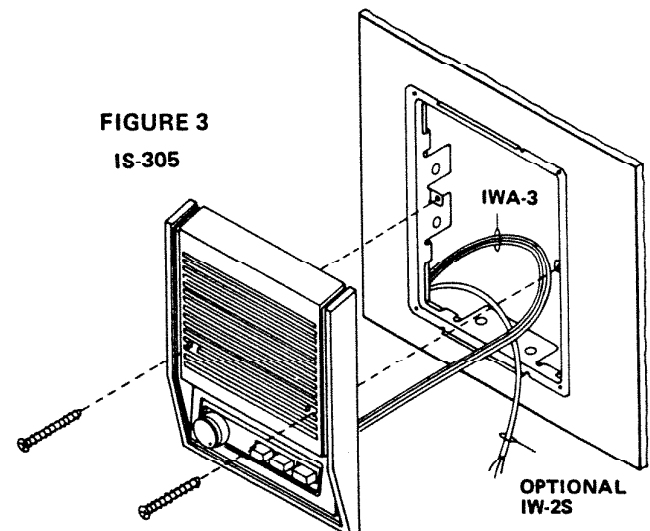


FIGURE 3

IS-305



OPTIONAL PHONE CONNECTION

1. Choose the side of the remote speaker where you will mount the phone cradle.
2. Using needle nose pliers, remove the appropriate wiring knockout in the side of remote speaker. See Knockout Detail. Trim with razor blade if necessary.
3. Using needle nose pliers, remove the appropriate knockout in the side of the phone cradle. Trim with a razor blade if necessary.
4. Align remote speaker wiring knockout with phone cradle knockout. **The phone cradle and the remote speaker should be even at the bottom. The sides of cradle and the speaker should be flush.** See Figure 5.
5. Use phone cradle as a template to mark mounting hole locations on the wall.
6. Drill two mounting holes in the wall. **IMPORTANT:** NuTone recommends using screw anchors (not supplied) for secure mounting. Choose anchors appropriate for supplied #8 x 1-1/2" wood screws. Drill holes sized for chosen anchors.
7. Dress wires through wiring knockout and mount cradle to the wall with two mounting screws. See Figure 6.
8. Connect wires from phone cradle to two screw terminals on the remote speaker's terminal board. Make sure cradle wires match with phone wires: red to red; green to green. See Figure 4.
9. Dress phone cradle wires through wiring knockout in side of remote speaker and replace speaker panel to operating position.
10. Insert phone cord plug into jack in bottom of cradle.

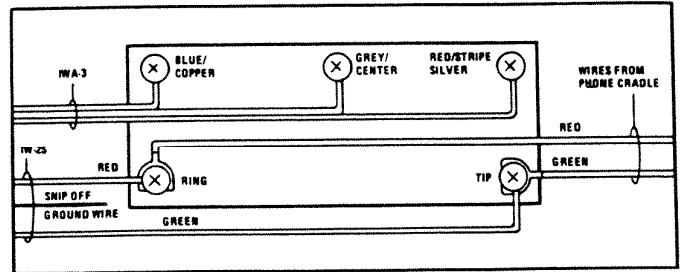


FIGURE 4

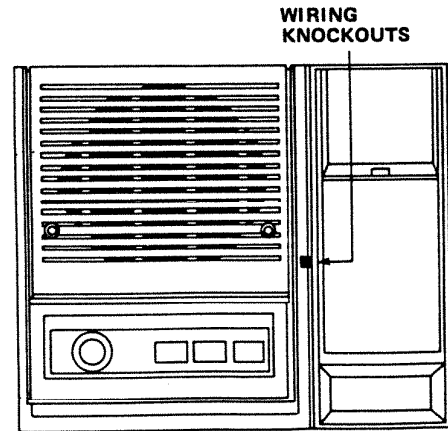


FIGURE 5

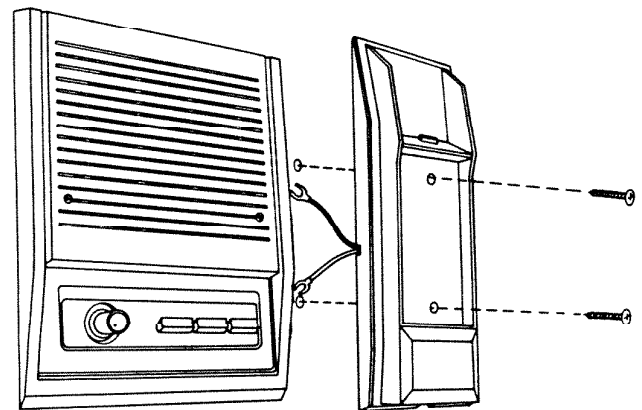


FIGURE 6

Refer to the IM-2003 and IM-3003 Operator's Manual for operating instructions and warranty information. If Operator's Manual has been misplaced, write to: NuTone, Madison and Red Bank Roads, Cincinnati, Ohio 45227. Attention: Department of National Field Service.

Product specifications subject to change without notice.

NuTone

Housing Group Scovill

Madison and Red Bank Roads, Cincinnati, Ohio 45227
Printed in Japan 12/83, Part No. 49249