

## Rough-In Speaker Frame

### MODEL: IR-50

For use with NuTone 5" Inside Remote Intercom Speakers

### LOCATION

1. Locate speaker frame at a convenient operating height-approximately 4½ feet above the floor.
2. For mounting purposes, locate speaker next to a wall stud.
3. To avoid feedback, do not locate any speaker and/or Master Station housings back to back or in a common wall between rooms.

### MOUNTING

To accommodate the speaker panel, allow a minimum clearance - on all sides of rough-in frame - of two inches (2"). Wall depth required: 1¾".

**The IR-50 must be mounted in vertical position, as shown in the illustration.**

### New Construction

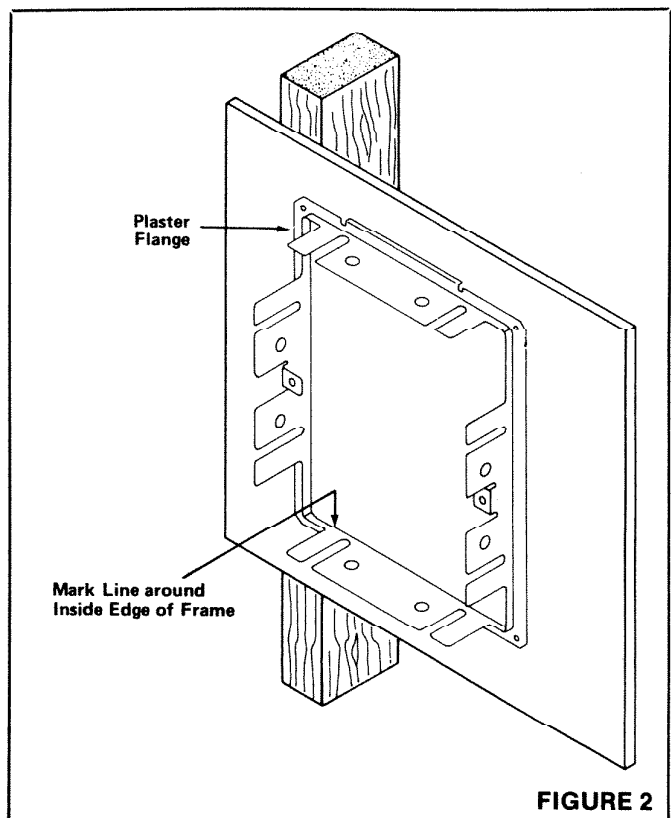
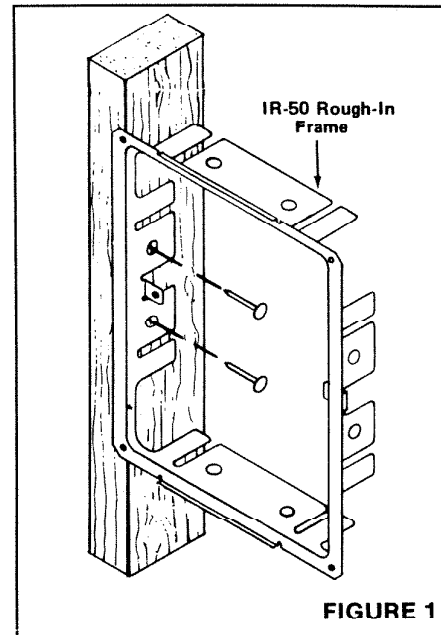
1. Position frame against wall stud as shown in Figure 1.
2. **See Figure 1.** Use nails or wood screws to secure frame to wall stud.

**NOTE TO INSTALLER: When drywall is installed, make sure location of frame is clearly marked. When cutting the drywall, cut along inside edge of frame.**

### Existing Construction

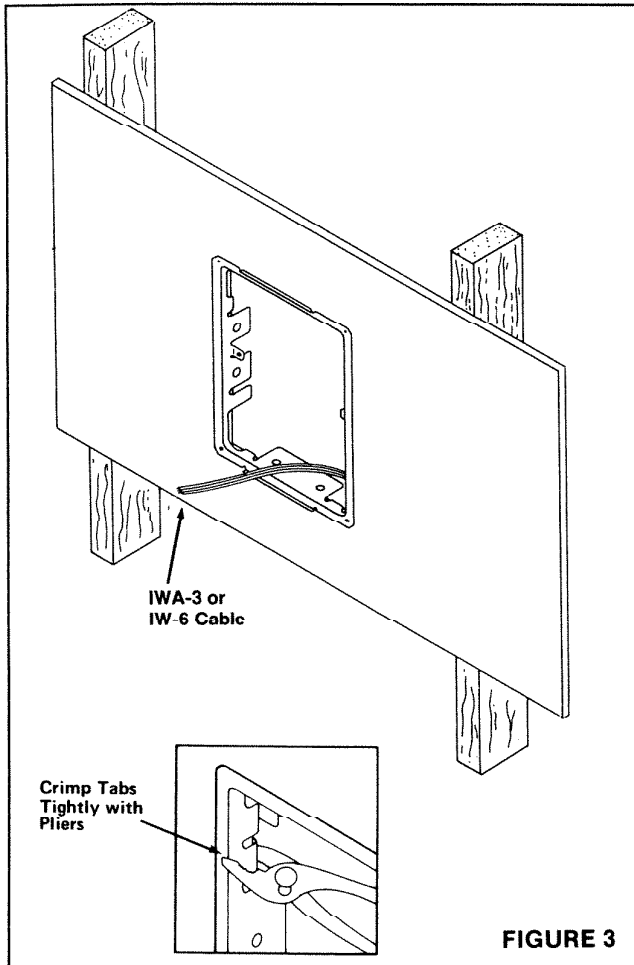
#### Mounting Directly to Wall Stud

1. Locate frame right next to wall stud.
2. Make sure area behind wall where frame will be located is free of obstructions.
3. **See Figure 2.** Use the frame as a template for marking the required cutout. Place the frame's plaster flange against the wall at the desired location. Make a line around the inside edge of the frame.
4. Make the cutout next to the wall stud. Carefully cut along the inside of the marked line.
5. **See Figure 3.** Insert frame into cutout. Use nails or wood screws to secure frame to wall stud.
6. **See Figure 3.** Secure other side of frame to drywall by bending mounting tabs back. Crimp tabs tightly with pliers.



## Mounting Between Wall Studs

1. Determine frame location between wall studs. Make sure area behind wall is free from obstructions.
2. Use the frame as a template for marking the required cutout. Place the frame's plaster flange against the wall at the required location. Mark a line around the inside edge of the frame.
3. Make the cutout. Carefully cut along the inside of the marked line.
4. **See Figure 4.** Insert frame into cutout. Secure frame to wall by bending at least 4 of the mounting tabs back. Crimp tabs tightly with pliers so that wall is sandwiched between frame's plaster flange and the mounting tabs.

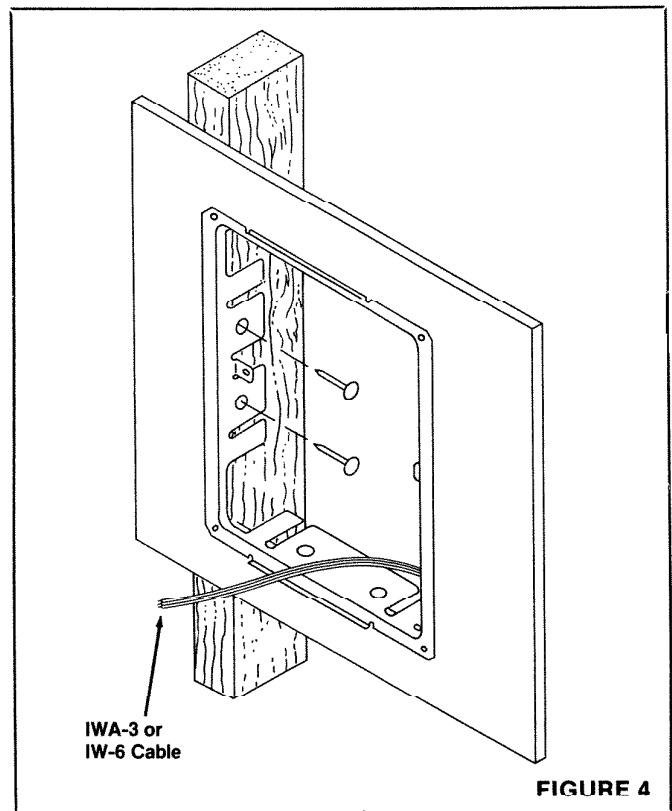


## WIRING

1. The wiring (and IR-50) should be installed when the intercom system is roughed-in. Leave sufficient wire (at least 1 foot) for connection to speaker.
2. Run wire from speaker location to master unit location. Use wire specified for the system being installed—see installation instructions provided with the Master Unit Rough-In.

**IMPORTANT: Use only NuTone specified wire. See Master Unit installation instructions for complete system installation.**

**OPTIONAL PHONE WIRING**—Speakers used with the IM-3003 Series Radio Intercom may be used for an optional phone connection. Run NuTone IW-2S (22 GA. shielded twisted pair) from master unit to each remote speaker location where the phone option may be required.



Product specifications subject to change without notice.

# NuTone

Madison and Red Bank Roads, Cincinnati, Ohio 45227  
Printed in U.S.A. Rev. 6/90, Part No. 49869