

INSTALLATION INSTRUCTIONS NUTONE MODEL IM-406 MASTER RADIO INTERCOM STATION

NOTE: All Rough-In Housings, Speaker Frames and Interconnecting Wiring and Cables should be installed in accordance with the Installation Instructions given in the IR-10 Instruction Sheet.

INSTALL MOUNTING BRACKET FLUSH WITH MASTER HOUSING OR FINISHED WALL SURFACE.

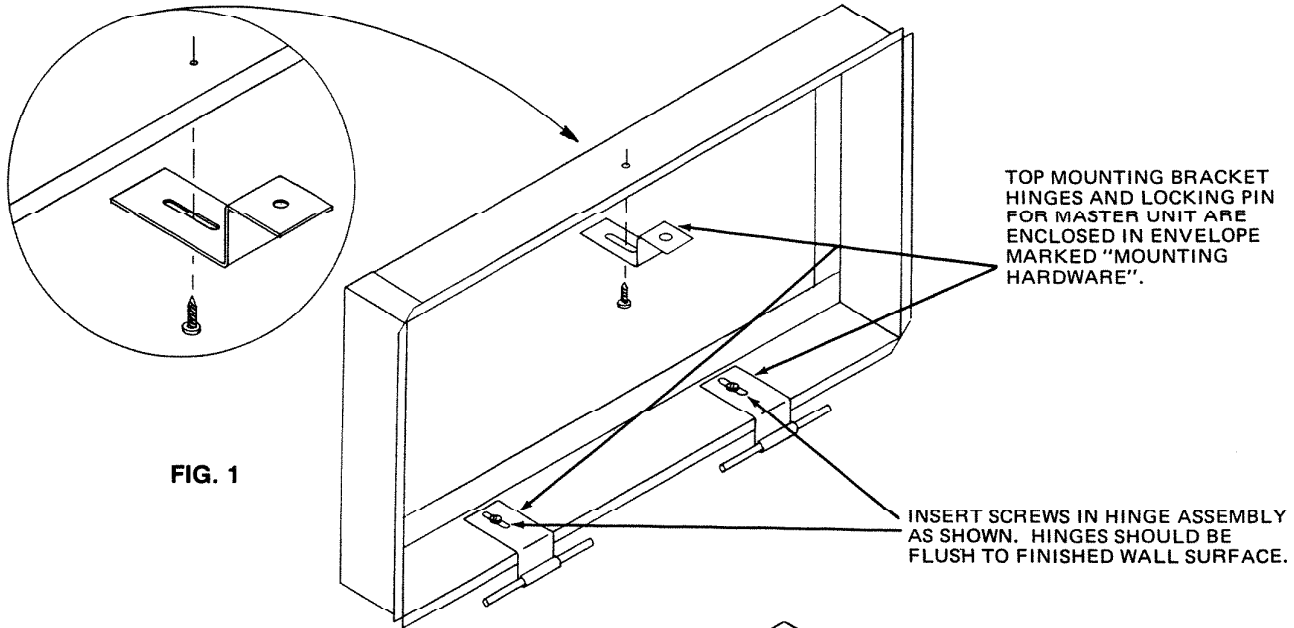


FIG. 1

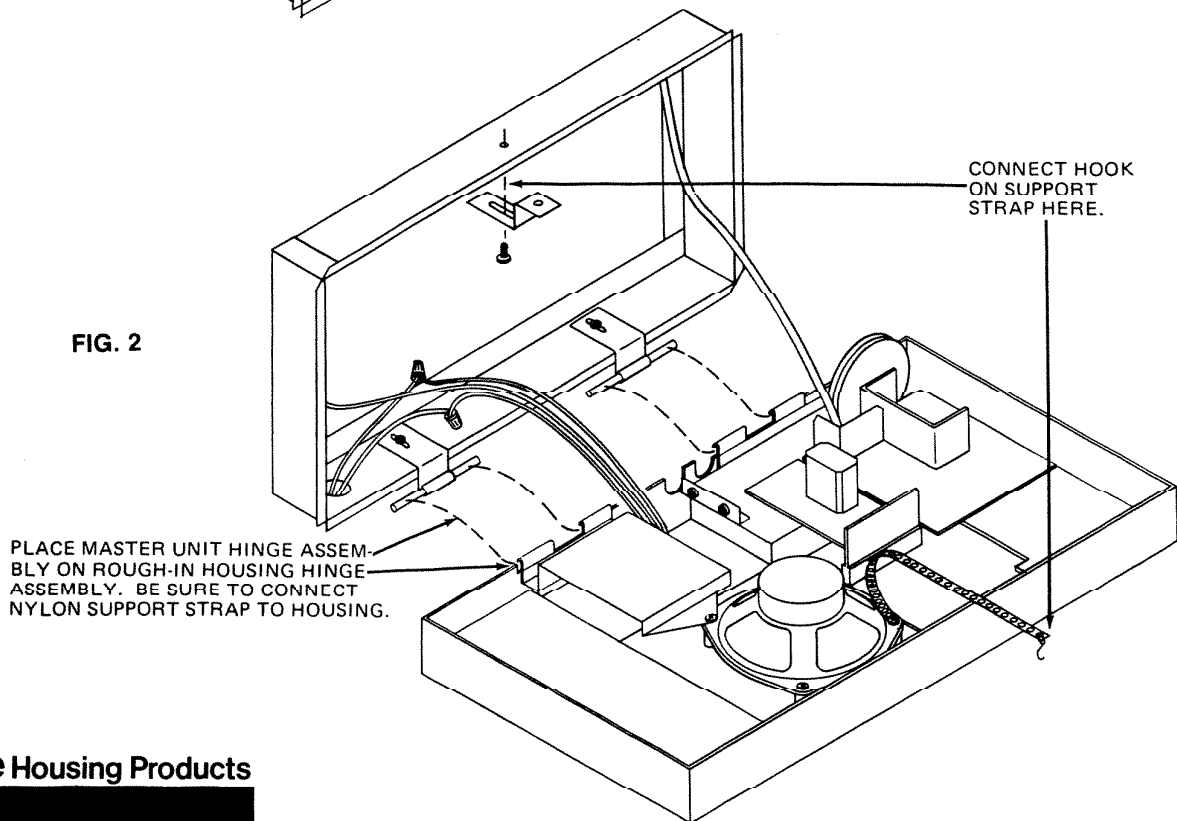


FIG. 2

WIRING - MASTER TERMINAL BOARD

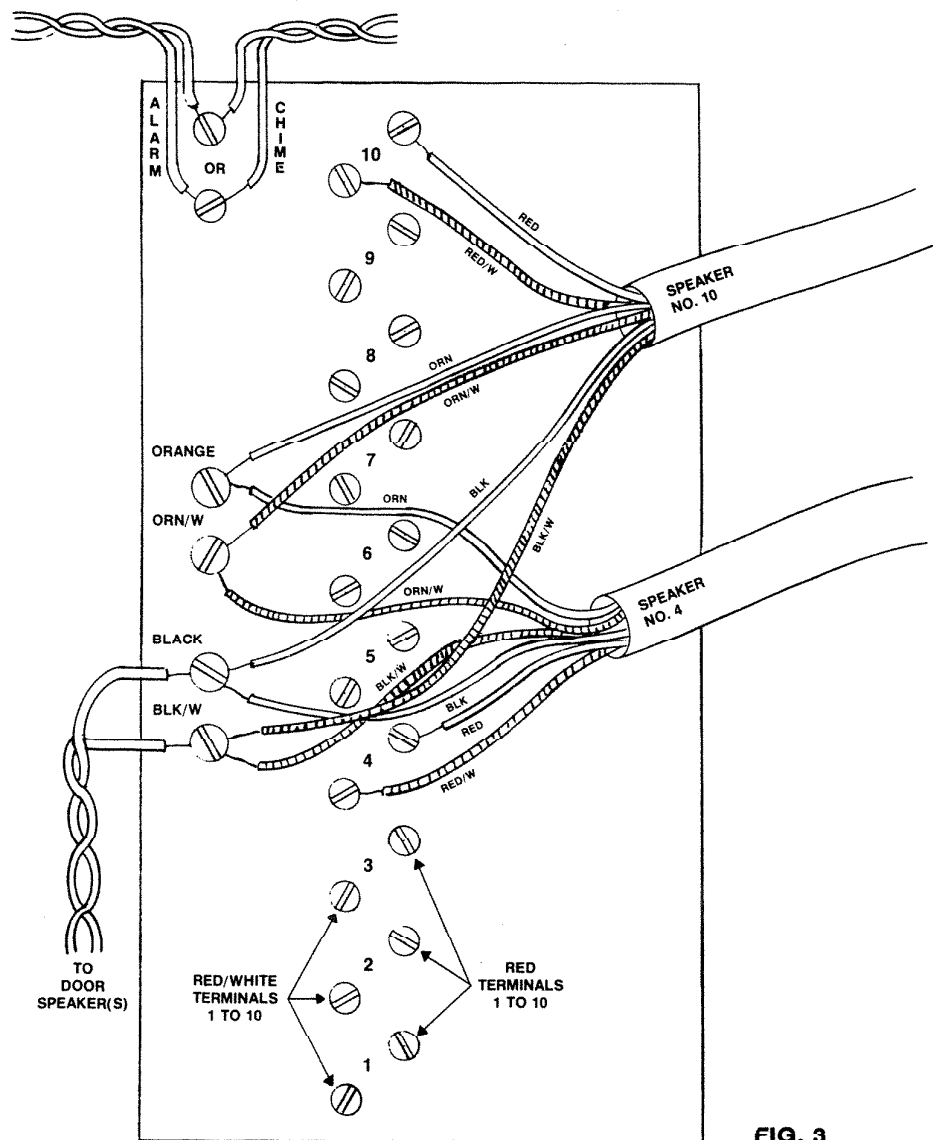


FIG. 3

WIRE ALL INSIDE AND PATIO REMOTE CONTROLS AS SHOWN ABOVE. OBSERVE COLOR CODE.

CONNECT RED - RED/WHITE TIRES AS SHOWN. CONNECT ORANGE WIRES TO ORANGE TERMINAL. CONNECT ORANGE/WHITE WIRES TO ORANGE/WHITE TERMINAL. CONNECT BLACK WIRES TO BLACK TERMINAL. CONNECT BLACK/WHITE WIRES TO BLACK/WHITE TERMINAL.

NOTE: FOR MORE THAN 10 SPEAKERS, THE RED - RED/WHITE WIRES FROM THOSE EXTRA SPEAKERS MAY BE CONNECTED TO THE SAME NUMBERED RED - RED/WHITE TERMINALS USED FOR OTHER SPEAKERS ON MASTER TERMINAL BOARD. THESE EXTRA SPEAKERS WILL BE CONTROLLED BY THE SAME REMOTE STATION SELECTOR SWITCH.

CONNECT ALL DOOR SPEAKER(S) WIRES AS SHOWN.

ELECTRONIC CHIME AND/OR SECURITY ALARM (S-135 ALARM HORN OR S-155 CONTROL UNIT) CONNECT TO TERMINALS SHOWN ABOVE.

SPECIAL NOTICE:

IF CLOCK TIMER, MODEL IS-47 IS USED WITH SYSTEM - THE 2 CONDUCTOR WIRE PREVIOUSLY INSTALLED FROM CLOCK TIMER TO MASTER ROUGH-IN HOUSING, MUST BE CONNECTED TO THE SPEAKER/CLOCK TIMER PROTECTION CIRCUIT WHICH IS ENCLOSED WITH UNIT.

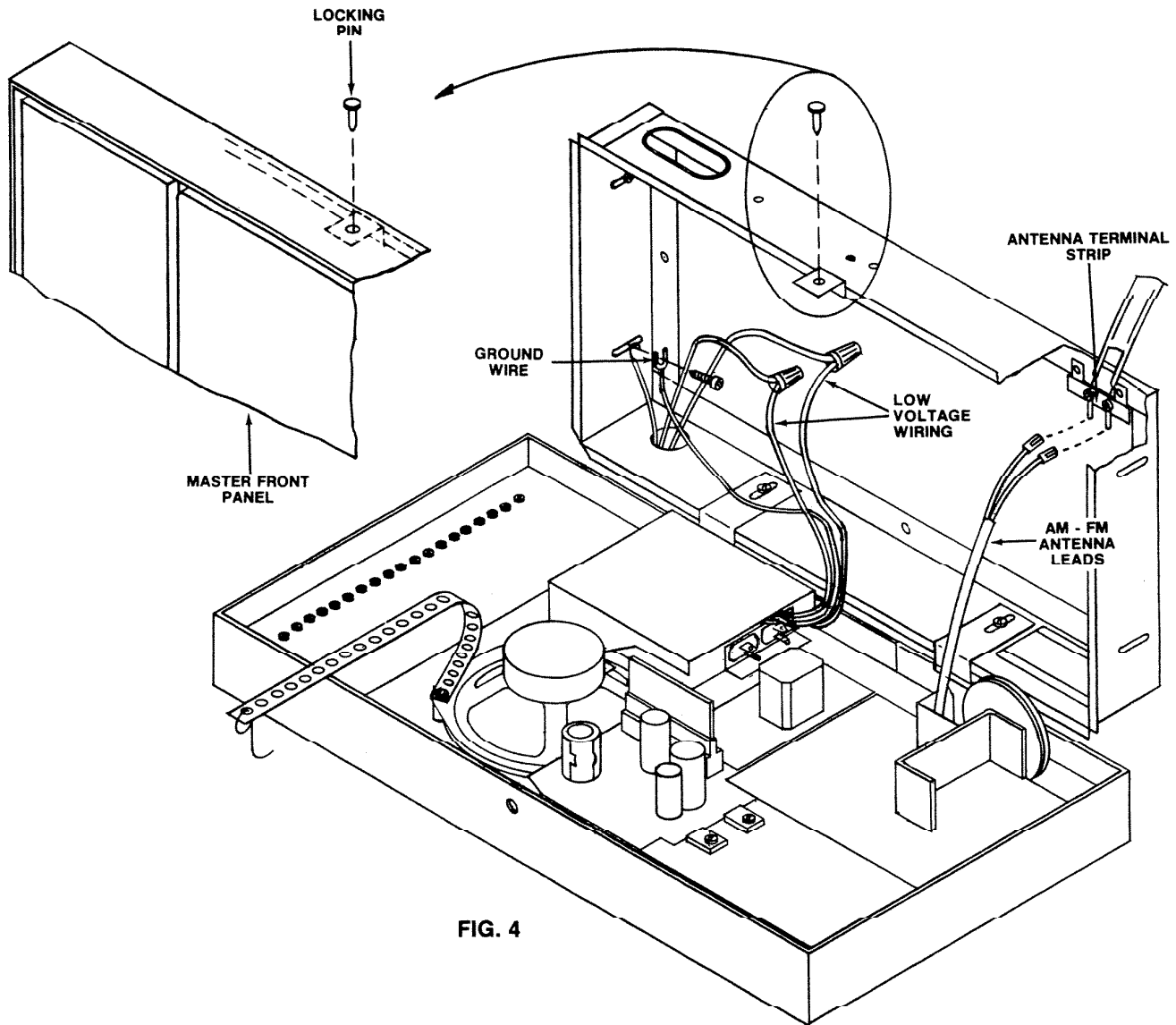
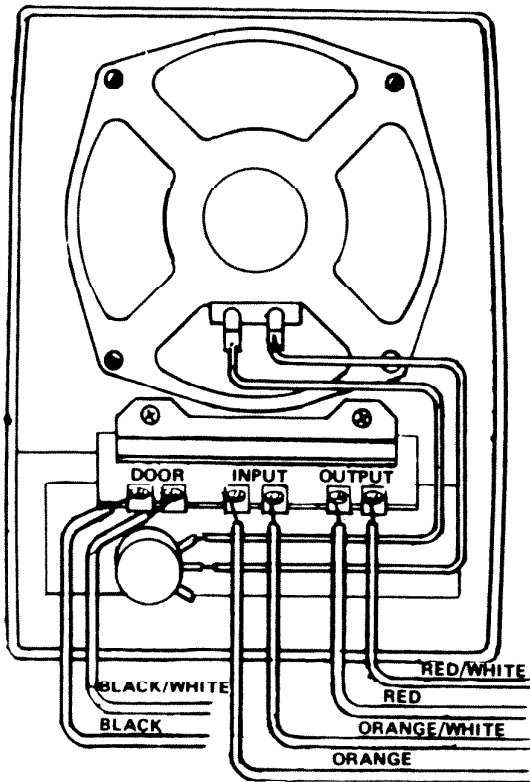


FIG. 4

CONNECT LOW VOLTAGE WIRING FROM TRANSFORMER TO MASTER AS SHOWN ABOVE. USE WIRE CONNECTORS FURNISHED. CONNECT GROUND WIRES (GREEN FROM MASTER) TO ROUGH-IN HOUSING AS SHOWN.

PUSH SHIELDED ANTENNA LEADS FROM MASTER STATION ONTO PRONGS ON ANTENNA TERMINAL STRIP. CHECK ALL WIRING FOR PROPER CONNECTIONS. PUSH MASTER STATION AGAINST WALL AND INSERT LOCKING PIN INTO TOP HOLE ON MASTER PANEL AS SHOWN ABOVE.

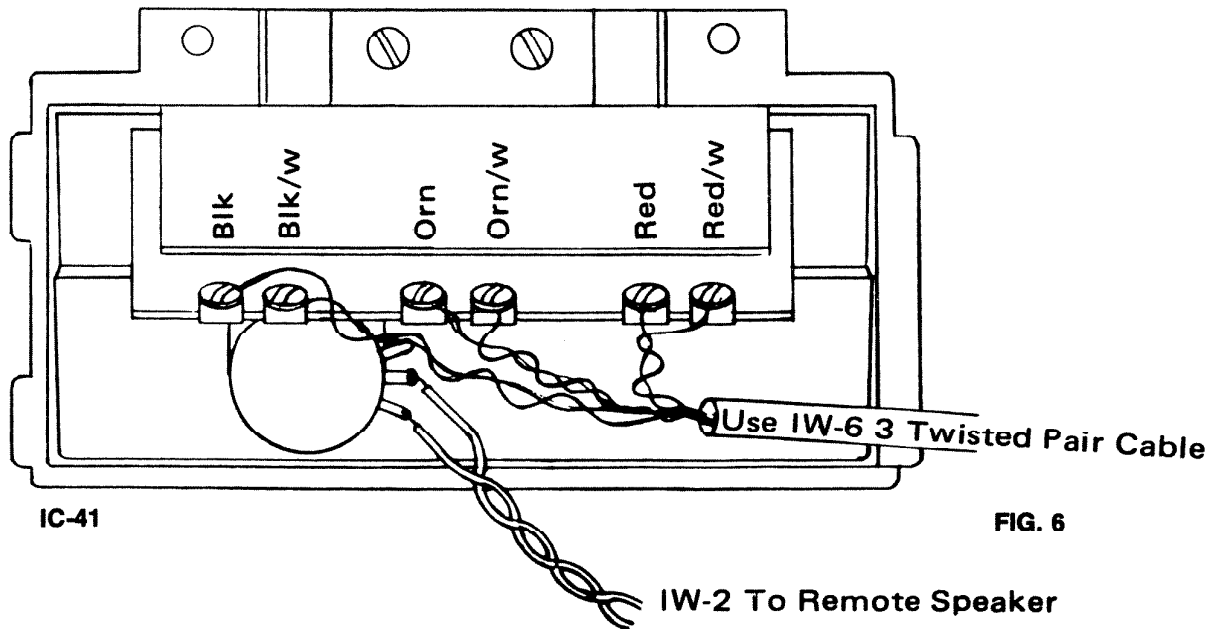
INSIDE SPEAKER WIRING



CONNECT 3 TWISTED PAIR (NUTONE IW-6) WIRE TO SPEAKER TERMINAL STRIP AS SHOWN. OBSERVE COLOR CODE. MOUNT SPEAKER WITH SCREWS FURNISHED.

FIG. 5

REMOTE CONTROL WIRING FOR IS-77, IS-78 AND IS-79.

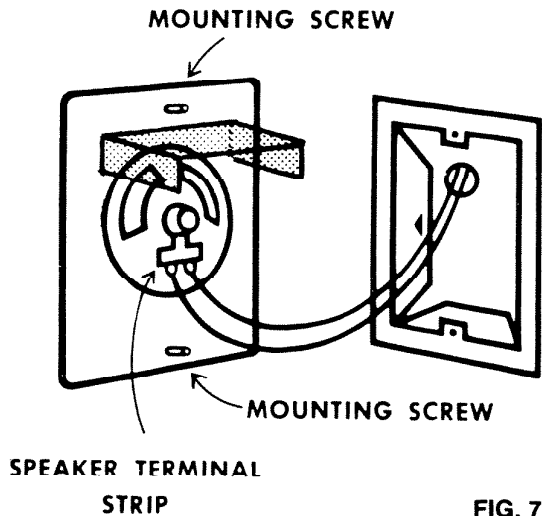


IC-41

FIG. 6

CONNECT 3 TWISTED PAIR (NUTONE IW-6) WIRE TO TERMINAL SCREWS AS SHOWN. OBSERVE COLOR CODE. CONNECT 2 CONDUCTOR (NUTONE IW-2) TO TWISTED PAIR WITH WIRE NUTS, FURNISHED AS SHOWN ABOVE. MOUNT IN 3 GANG BOX OR IF USED FOR PATIO — MOUNT IN IA-19 WEATHERSHIELD.

DOOR SPEAKER(S) WIRING



CONNECT WIRE TO DOOR SPEAKER(S) TERMINAL STRIP AS SHOWN. MOUNT SPEAKER WITH SCREWS PROVIDED.

OPERATIONAL CHECKOUT

MASTER UNIT

The ON/OFF-MASTER VOLUME CONTROL (Master Unit Speaker only); the TUNING KNOB; FUNCTION SELECTOR SWITCH; and INTERCOM CONTROL SWITCHES are located on the front panel for accessibility.

The REMOTE SPEAKER SELECTOR SWITCHES; ALL SPEAKER VOLUME CONTROL; and TONE CONTROL are located behind the door to the left of the Unit.

1. TURN SET ON: rotate the ON/OFF MASTER VOLUME CONTROL clockwise-pilot lights should be ON.
2. Position FUNCTION SELECTOR SWITCH in AM or FM.
3. Using TUNING KNOB, tune radio to a familiar station.
4. Open door and set all REMOTE SPEAKER SELECTOR SWITCHES to RADIO/INT position.
5. THE VOLUME CONTROL AT ALL REMOTE SPEAKERS AND MASTER VOLUME CONTROL SHOULD BE SET FULL CLOCKWISE (MAXIMUM VOLUME).
6. ADJUST THE ALL SPEAKER VOLUME CONTROL (BEHIND THE DOOR) FOR SUFFICIENT LOUDNESS AT ALL LOCATIONS.

Adjust the individual speaker volume controls and master unit volume for desired sound level.

7. Adjust TONE CONTROL to personal preference.
8. Rotate TUNING KNOB through the band for both FM and AM to check radio operation.
9. If record player or tape player is included in system, using the FUNCTION SELECTOR SWITCH select the unit being checked and play either a record or tape as desired. Suggest that a record or tape of known quality be used.

INTERCOM OPERATION

1. Press the **INSIDE/PATIO SPEAKER TALK SWITCH** and speak into the Master Unit speaker. It should be heard at every remote location.
2. Press the **INSIDE/PATIO SPEAKER LISTEN SWITCH**. Have another member of the family answer "Hands-Free" from any remote speaker. (Every inside/patio speaker should be checked.)
3. Repeat steps 2 and 3 above-originating the call at every (in turn) inside and patio speaker.
4. At every inside, patio and Master Unit speaker, press the **DOOR TALK SWITCH** to talk to the door speaker. Press the **DOOR LISTEN SWITCH** to receive "Hands-Free" answer from the door speaker.
5. Set **REMOTE SPEAKER SELECTOR SWITCH** (behind door in Master Unit) for each speaker-in turn or all at same time - to **OFF**. (The speaker(s) with its switch in this position will not receive entertainment program; nor receive signal from electronic chime and/or alarm.
6. Set **REMOTE SPEAKER SELECTOR SWITCH** for each speaker in turn or all at same time to **I'COM ONLY**. Speaker(s) in this mode will not receive the entertainment program but, will be able to perform all intercom functions as described in **INTERCOM OPERATION** steps 1 thru 4 above.
7. Set **REMOTE SPEAKER SELECTOR SWITCH** for each speaker in turn or all at same time to **LISTEN IN**. Speaker(s) in this mode will not receive entertainment program, intercom calls nor signals from electronic chime and alarm. All sounds in the locale of this speaker(s) will be heard-over riding the music program-at all speakers that are in the **RADIO I'COM** mode. (including Master Unit speaker).
8. The Master Unit speaker is not controlled by a selector switch. It can be turned **ON** with its volume control, and have all functions or, if the control is turned full counter clockwise (but not past "Click" to **OFF**) it will operate same as remote speakers in **OFF** mode.

For the name of your nearest NuTone Authorized Service Center, residents of the contiguous United States call, toll free, 800-543-8687

Residents of Alaska, Hawaii and all other locations outside the contiguous U.S., except Canada, write: Field Engineering Department, NuTone Division of Scovill Mfg., Madison and Red Bank Roads, Cincinnati, Ohio 45227.

Canadian residents contact: NuTone Electrical, Limited, 2 St. Lawrence Avenue, Toronto, Ontario M8Z - 5T8; 416-251-6580.

NuTone Housing Products

Scovill

MADISON & RED BANK ROADS • CINCINNATI, OHIO • 45227

Part No. 46984NW
Printed in U.S.A. 10-75 HI