

Outdoor Remote Control

MODEL: IC-441WHW

- This model is designed for outdoor use only with IMA-4006 or IM-4406 Systems to operate the ISA-77, IS-79 or IS-903 Outdoor Speakers.
- Use Model IC-441WH for indoor installation.

LOCATION

1. Locate the remote control near the speaker which it will control.
2. Locate the remote control where it can be easily operated – 50" to 60" above the floor or ground is satisfactory.

FRAME WIRING

Refer to Figure 1.

1. Run NuTone Model IW-6 intercom wire from master station to location of frame.
2. Run 2-conductor wire (IW-2) from remote control location to speaker location.
3. Pull wires through hole in back of frame.
IMPORTANT: Use only NuTone specified wire.

FRAME MOUNTING

The frame must be mounted in horizontal position, as shown in Figure 1.

1. Nail or screw frame to finished wall surface through four (4) mounting holes.
2. Frame should be caulked around edge which is flush to wall.

WIRING CONNECTIONS

1. **Refer to Figure 2.** Remove plastic clip that holds the rubber gasket to the printed circuit board.
2. **Refer to Figure 3.** As illustrated, connect wires from the master unit to the six (6) screw terminals. Red wire to the terminal marked red, red/white wire to the terminal marked red/white, etc.
3. **Refer to Figure 4.** Connect IW-2 cable from the speaker to the remote control's two (2) speaker wires.
4. **Refer to Figure 5.** Fold rubber gasket over installed wiring. Hold gasket tab to printed circuit board by folding tab over and sliding the removed plastic clip over tab and printed circuit board.

MOUNTING

Refer to Figure 6.

1. Carefully place excess wire into mounting frame.
2. Place gasket (furnished) into groove of mounting frame. Leave a small gap at the bottom center. Place edge of the remote control into the groove of the frame. Make sure the control and frame fit together tightly.
3. Secure remote control to frame with two (2) mounting screws (furnished).

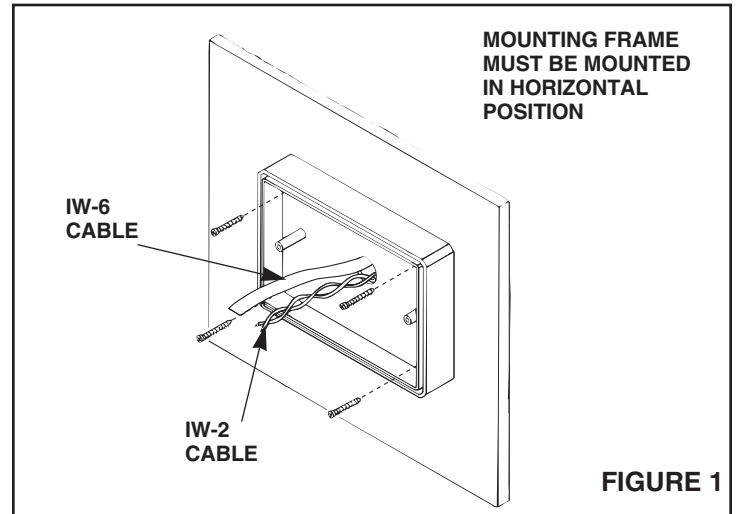


FIGURE 1

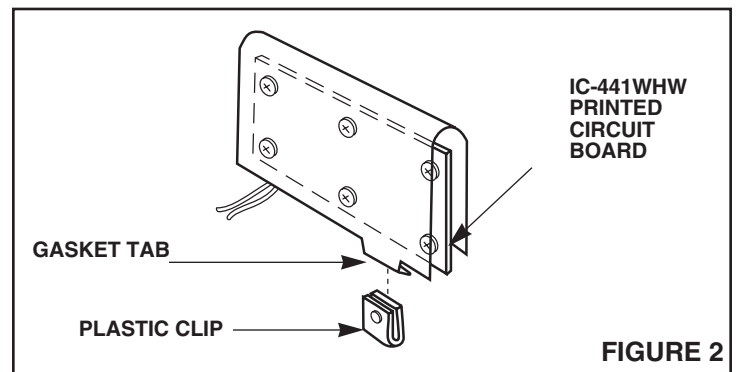


FIGURE 2

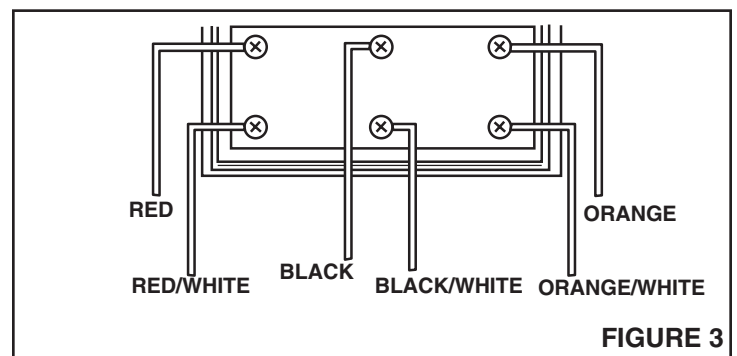
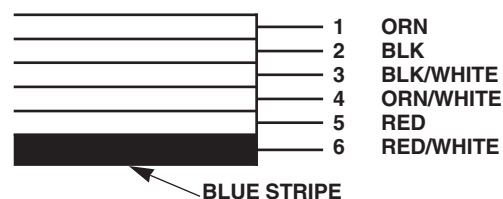


FIGURE 3

IMPORTANT – WHEN NUTONE MODEL IW-6R WIRING IS USED:

CONNECT TO SCREWS ON PRINTED CIRCUIT BOARD MARKED:



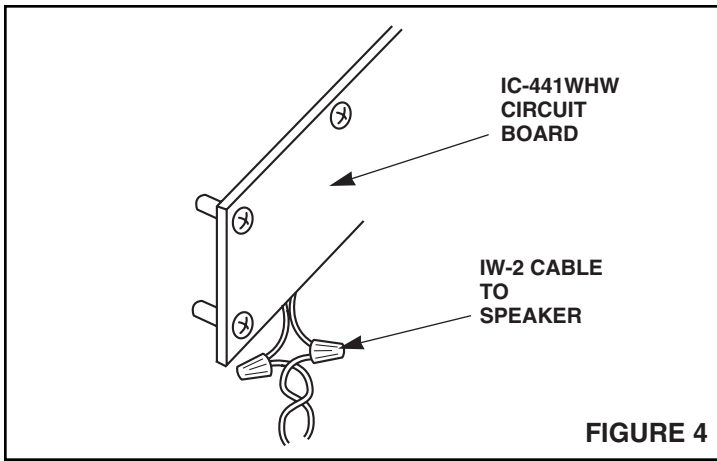


FIGURE 4

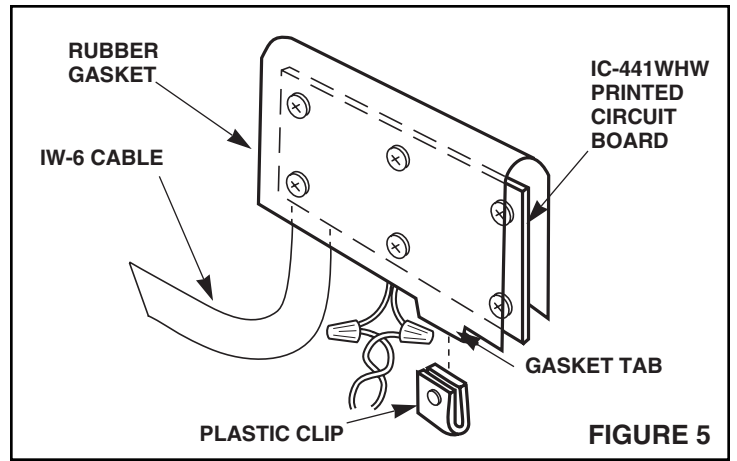


FIGURE 5

Refer to the Radio-Intercom system's Operator's Manual for operating instructions. If Operator's Manual has been misplaced, write to: NuTone, Madison and Red Bank Roads, Cincinnati, Ohio 45227. Attention: Department of National Field Service.

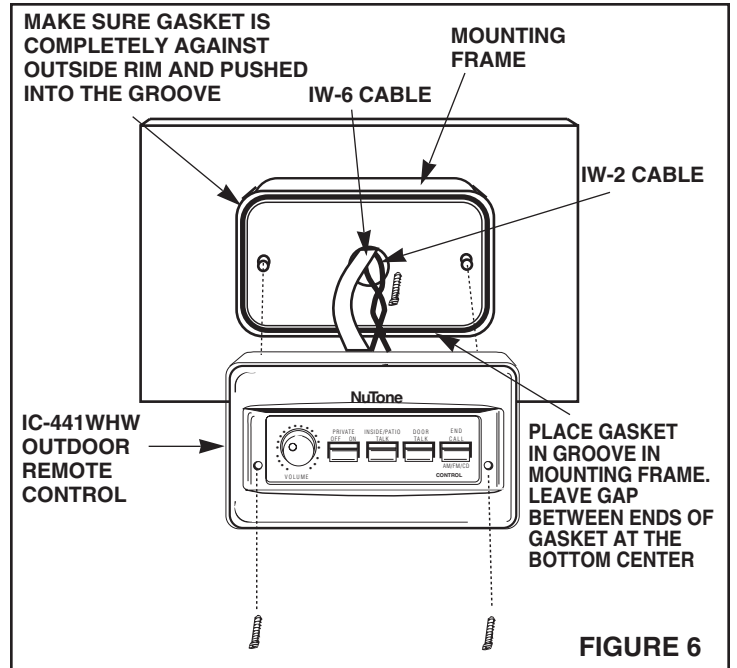


FIGURE 6

NuTone®

Two Year Limited Warranty

WARRANTY OWNER: NuTone warrants to the original consumer purchaser of its products that such products will be free from defects in materials or workmanship for a period of two (2) years from the date of original purchase. **THERE ARE NO OTHER WARRANTIES, EXPRESS OR IMPLIED, INCLUDING, BUT NOT LIMITED TO, IMPLIED WARRANTIES OF MERCHANTABILITY OR FITNESS FOR A PARTICULAR PURPOSE.**

During this two year period, NuTone will, at its option, repair or replace, without charge, any product or part which is found to be defective under normal use and service. **THIS WARRANTY DOES NOT EXTEND TO FLUORESCENT LAMP STARTERS OR TUBES, FILTERS, DUCT, ROOF CAPS, WALL CAPS AND OTHER ACCESSORIES FOR DUCTING.** This warranty does not cover (a) normal maintenance and service or (b) any products or parts which have been subject to misuse, negligence, accident, improper maintenance or repair (other than by NuTone), faulty installation or installation contrary to recommended installation instructions.

The duration of any implied warranty is limited to the one year period as specified for the express warranty. Some states do not allow limitation on how long an implied warranty lasts, so the above limitation may not apply to you.

NUTONE'S OBLIGATION TO REPAIR OR REPLACE, AT NUTONE'S OPTION, SHALL BE THE PURCHASER'S SOLE AND EXCLUSIVE REMEDY UNDER THIS WARRANTY. NUTONE SHALL NOT BE LIABLE FOR INCIDENTAL, CONSEQUENTIAL OR SPECIAL DAMAGES ARISING OUT OF OR IN CONNECTION WITH PRODUCT USE OR PERFORMANCE. Some states do not allow the exclusion or limitation of incidental or consequential damages, so the above limitation or exclusion may not apply to you. This warranty gives you specific legal rights, and you may also have other rights, which vary from state to state. This warranty supersedes all prior warranties.

WARRANTY SERVICE: To qualify for warranty service, you must (a) notify NuTone at the address stated below or telephone 1/800-543-8687, (b) give the model number and part identification and (c) describe the nature of any defect in the product or part. At the time of requesting warranty service, you must present evidence of the original purchase date.

Date of Installation _____ Builder or Installer _____

Model No. and Product Description _____

IF YOU NEED ASSISTANCE OR SERVICE:

For the location of your nearest NuTone Independent Authorized Service Center:
Residents of the contiguous United States Dial Free 1-800-543-8687
 Please be prepared to provide:
 Product model number • Date and Proof of purchase • The nature of the difficulty

Residents of Alaska or Hawaii should write to: NuTone Inc. Attn: Department of National Field Service, 4820 Red Bank Road, Cincinnati Ohio 45227-1599.
Residents of Canada should write to: Broan-NuTone Canada, 1140 Tristar Drive, Mississauga, Ontario, Canada L5T 1H9.

Rev. 03/2001