

Sway

Assembly
Guide

pedestal®



Congratulations on your new Pedestal product.

We welcome you on our journey towards creating flexible interior design solutions for tv-screens.

Back in the day, televisions were design objects – beautifully made, and put on display. But somewhere along the line, we began to care less about how they look.

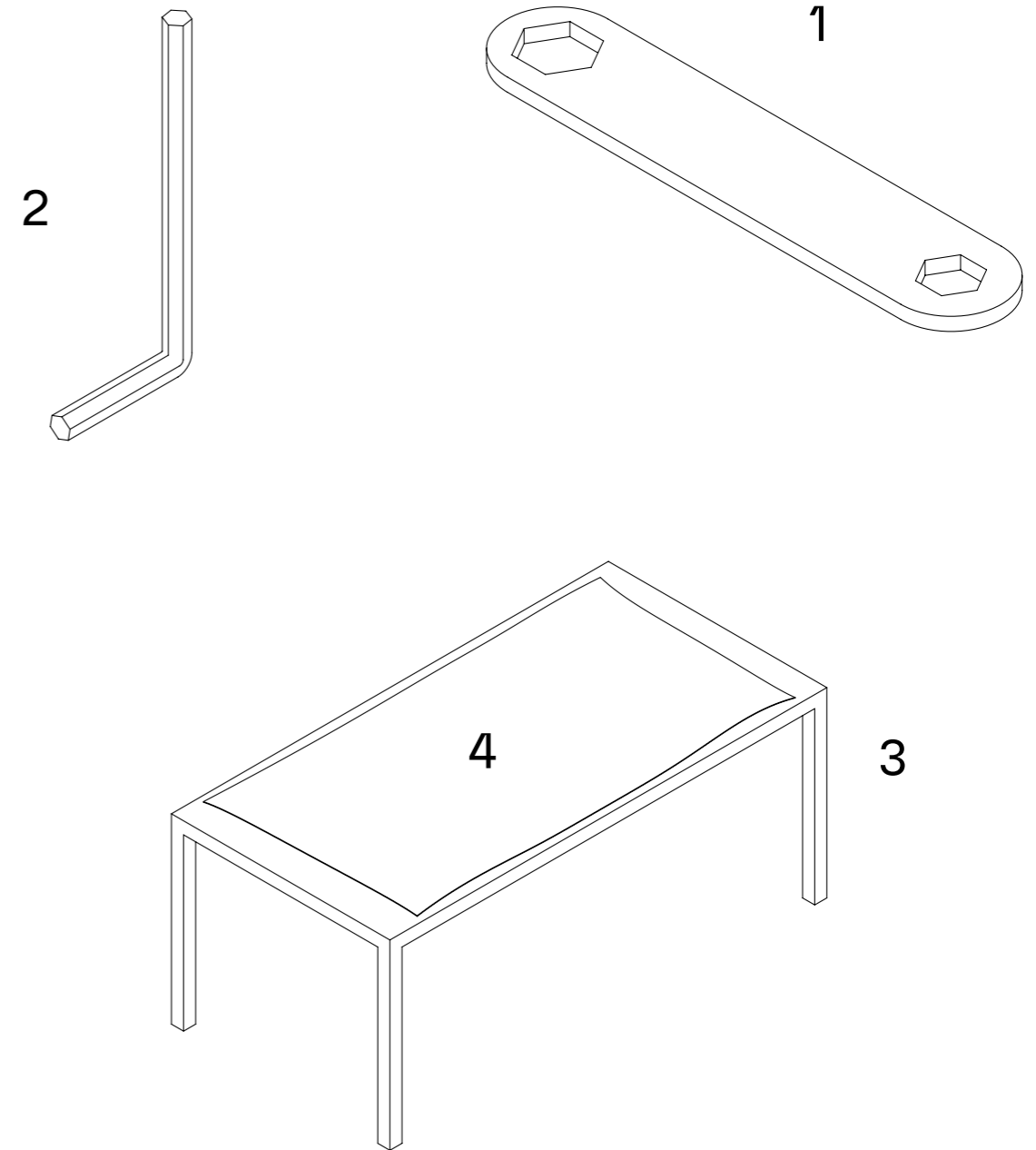
Most of us have a big screen at home. Personally, we love them. We watch, zap, and binge with a single click. But making them look good? Now, that's a challenge.

Mounts, pods, links, stands, call them what you want. Those things that hold your screen can really ruin your feng shui. Setting up your screen at home can feel like choosing between a living room – or a screening room.

So, we founded Pedestal.

We're a small team of people who design furniture that hold screens, inspired by 20th century industrial aesthetics. They should look good and work just right. That's it.

Tools

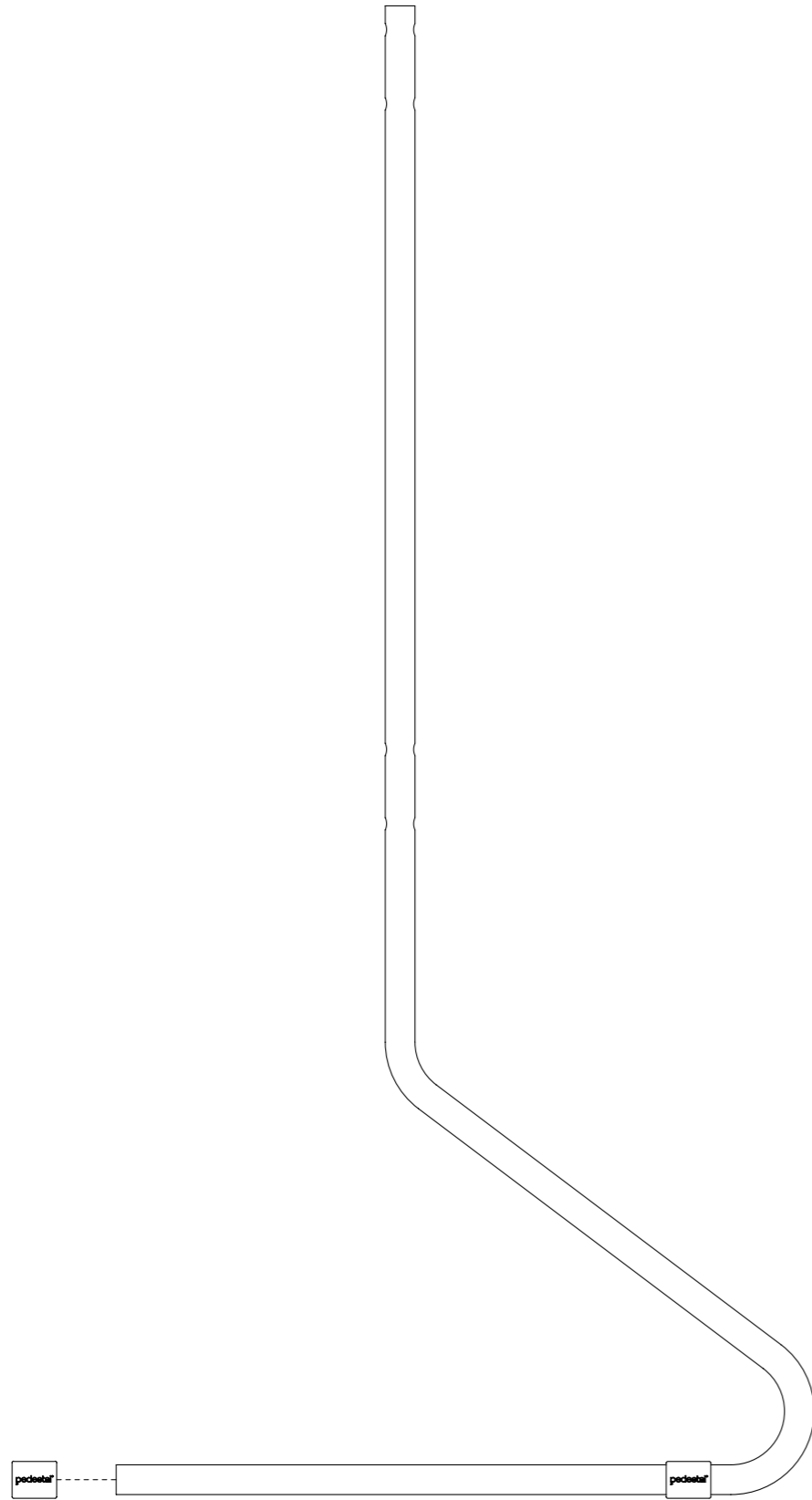


You will need the tools listed below:

- 1: Wrench (Provided in the hardware bag)
- 2: Hex keys (Provided in the hardware bag)
- 3: Table
- 4: Soft cloth or blanket
- 5: Assisting friend



1.0 Floor Protection

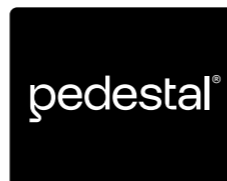


Task

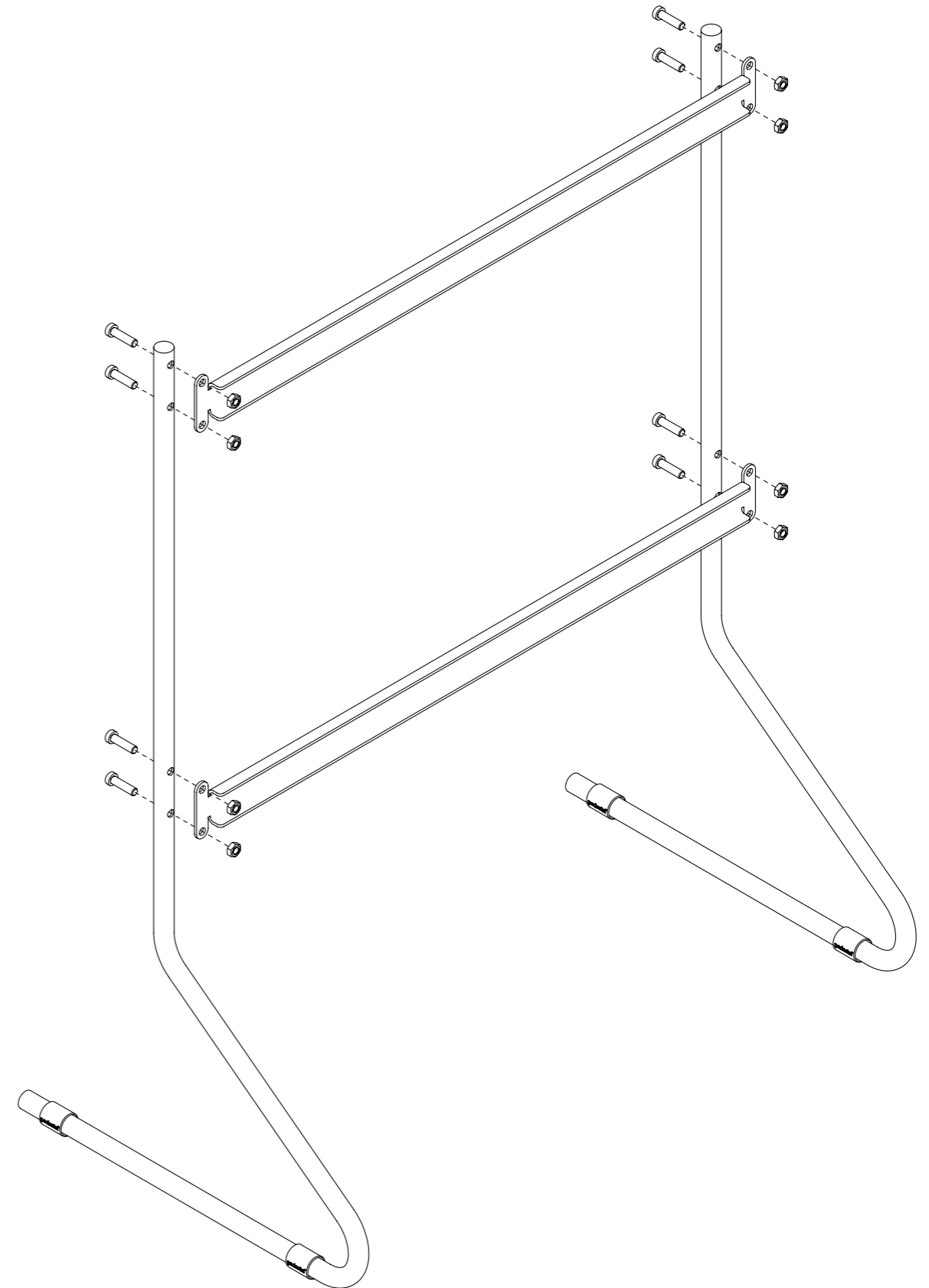
Slide the silicone gliders onto the tube.
Two on each foot.

Parts

4 x Silicone gliders



2.0 Mount brackets

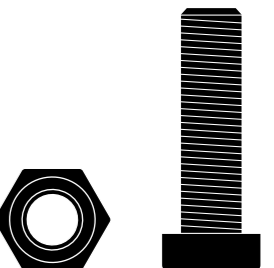


Task

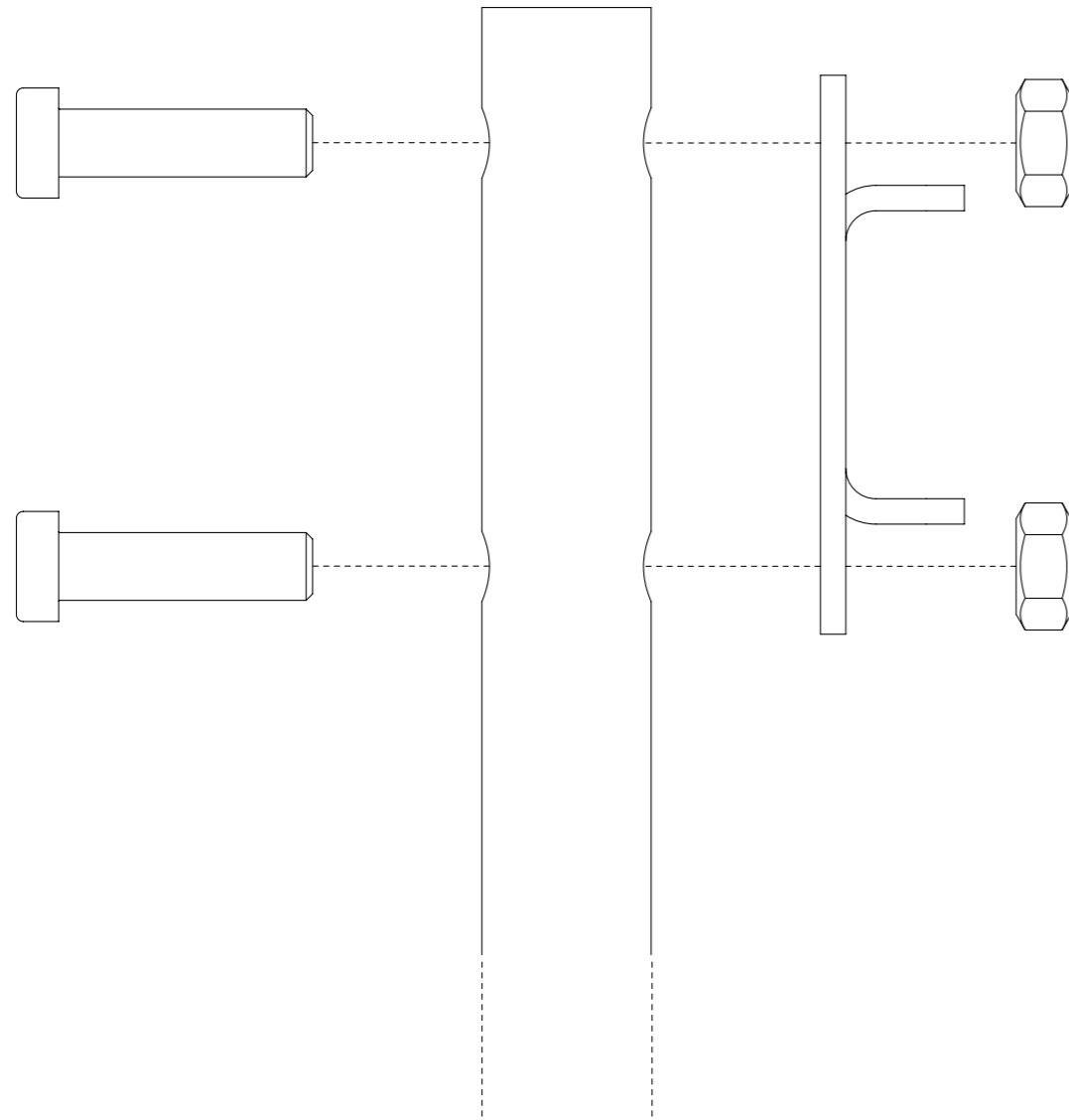
Mount the brackets horizontally onto both sides as shown.
Tighten all connections.

Parts

8x M8x30mm bolts
8x M8 Nuts



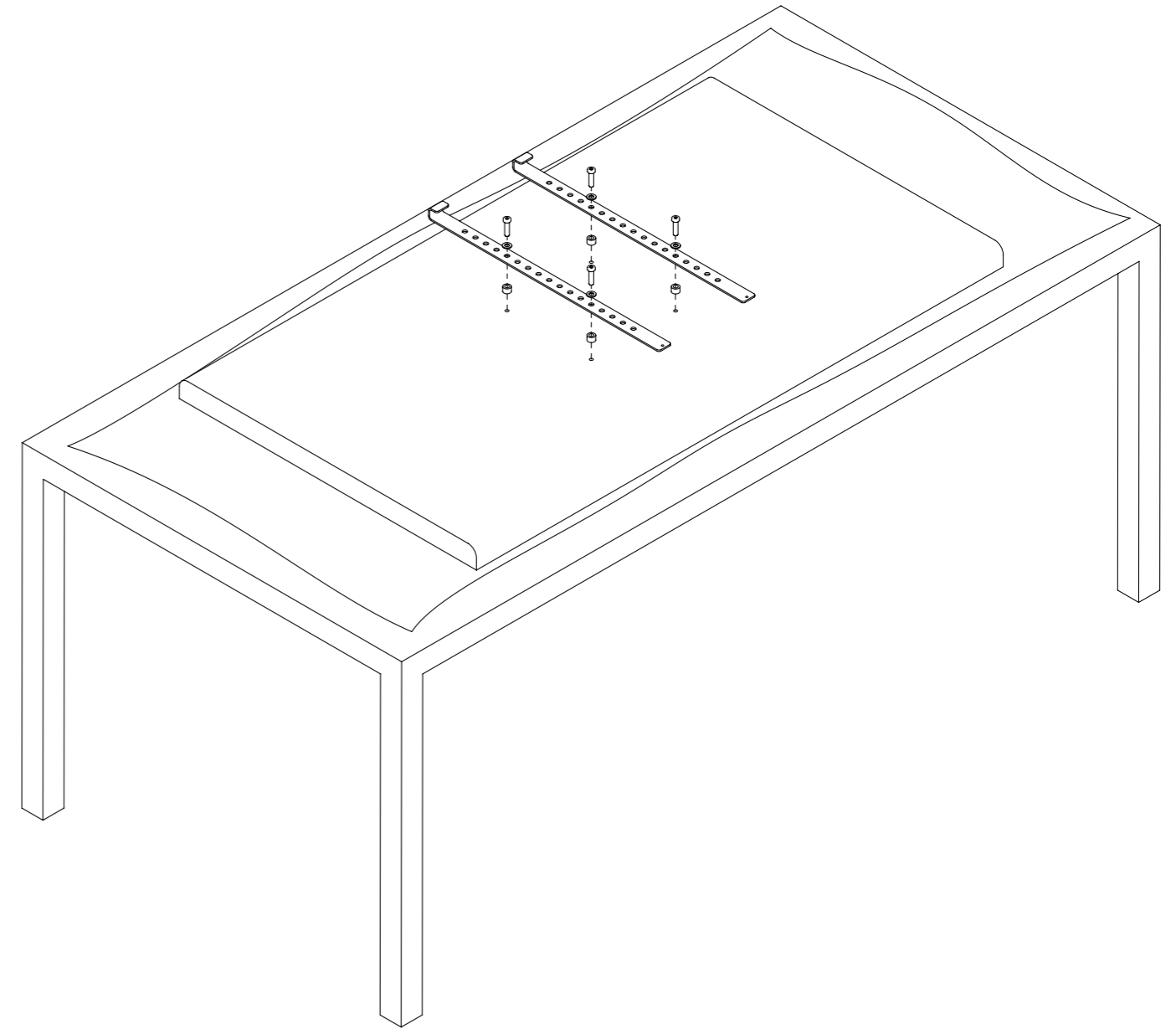
2.1 Mount brackets detail



Task

Detailed view of step 2.0.

3.0 Mount TV brackets



Task

Place your screen facing backside up on a tabletop with a soft cloth or blanket between the two in order to protect both. Mount the TV brackets vertically using the fitting holes.

For correct fit, see step 3.1

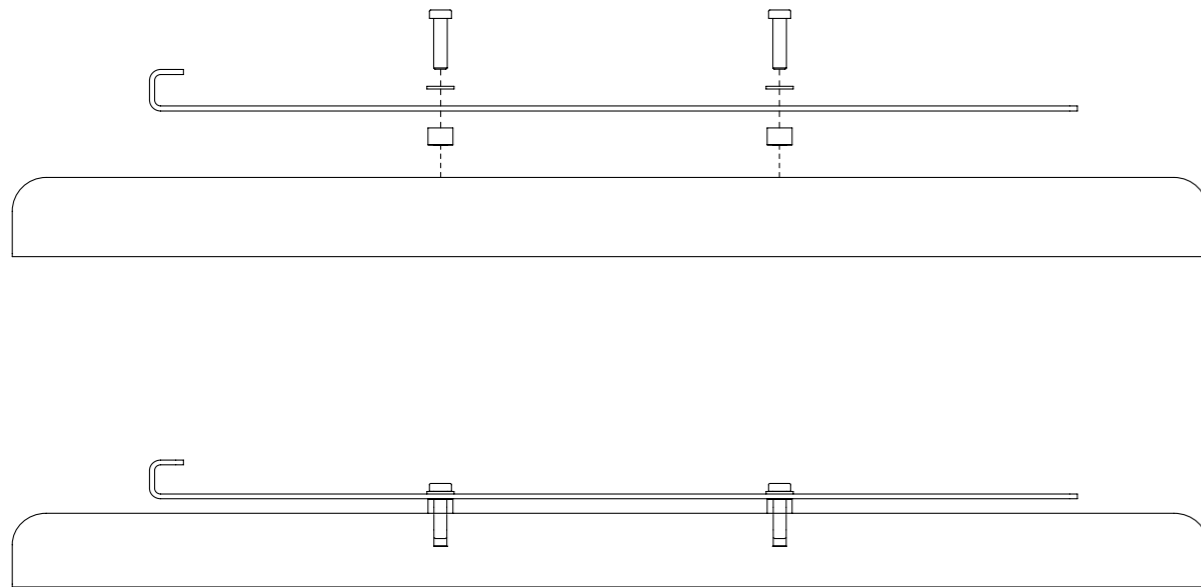
Parts

4 x suitably sized bolts
4 x M6/M8 washers
At least 4 x suitably sized spacers

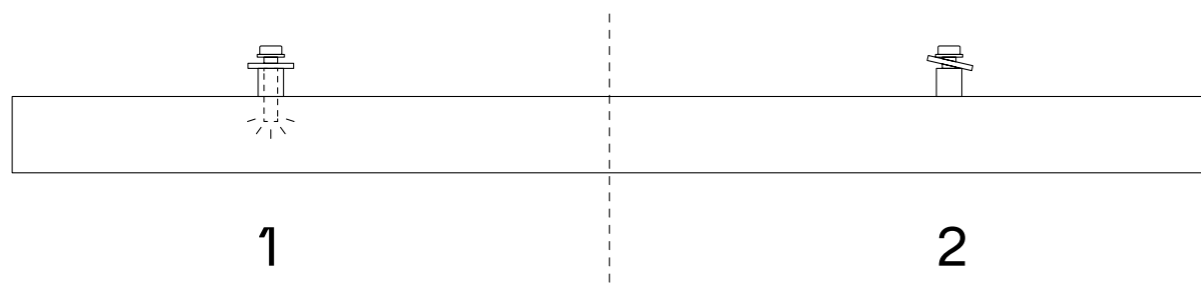
3.1 TV brackets fitting

4.0 Mount TV

Correct fit



Incorrect fit



Do not panic!

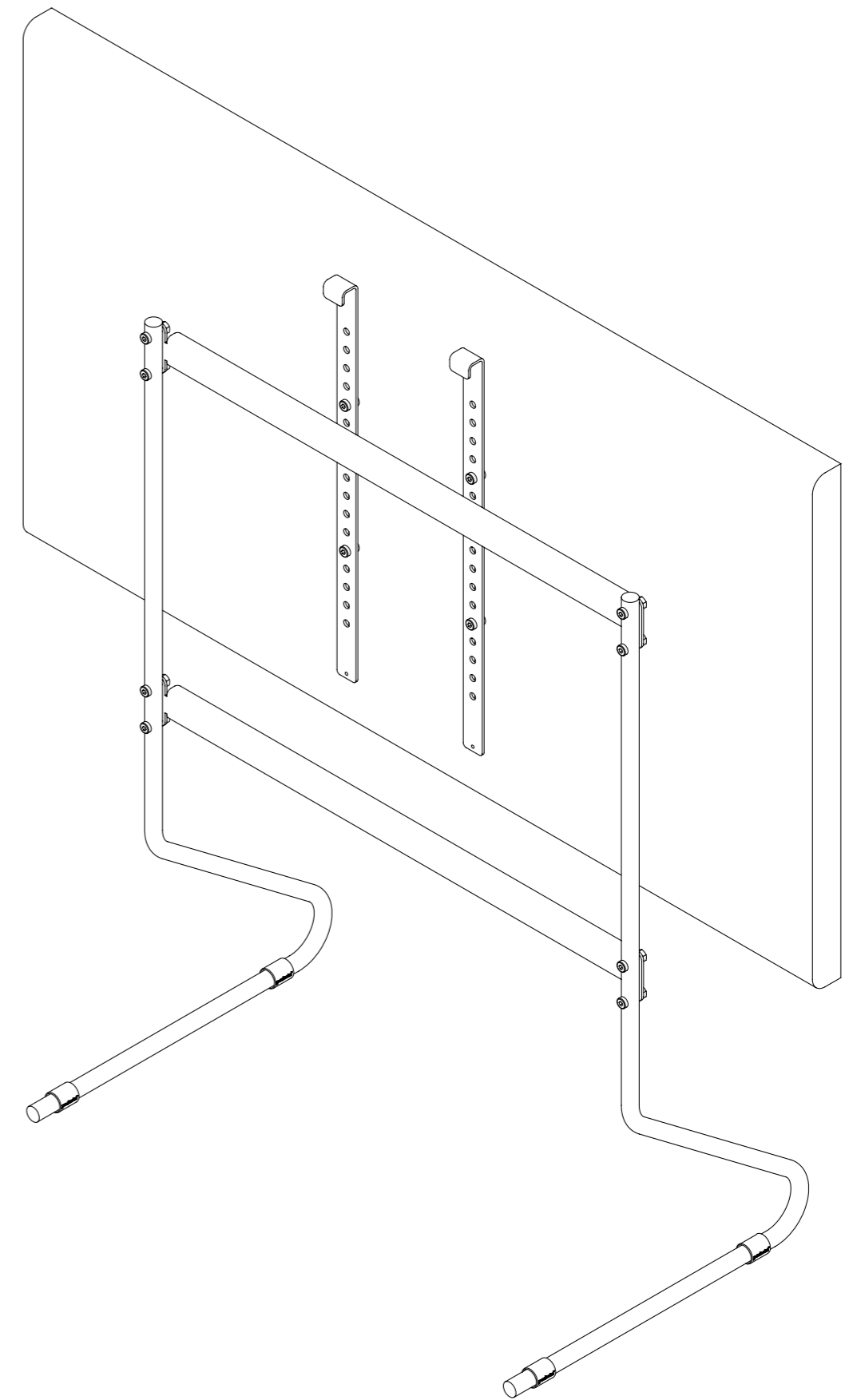
You will not need all of the remaining hardware. The large selection of remaining hardware is to accommodate as many different screens as possible.

For a correct fit you will have to identify the right combination of provided spacers, washers and bolts.

Place the spacers between the screen and the brackets to ensure that the brackets do not touch the screen.

If for instance your screen has a curved backside, you might have to use more than one layer of spacers.

Now screw the appropriately dimensioned bolts with washers through the brackets and spacers into the threaded holes on the backside of the screen. Tighten the bolts until you have a snug fit. Be sure not to overtighten. The bolts must not reach the bottom of the threaded holes. Overtightening might cause damage to your screen.

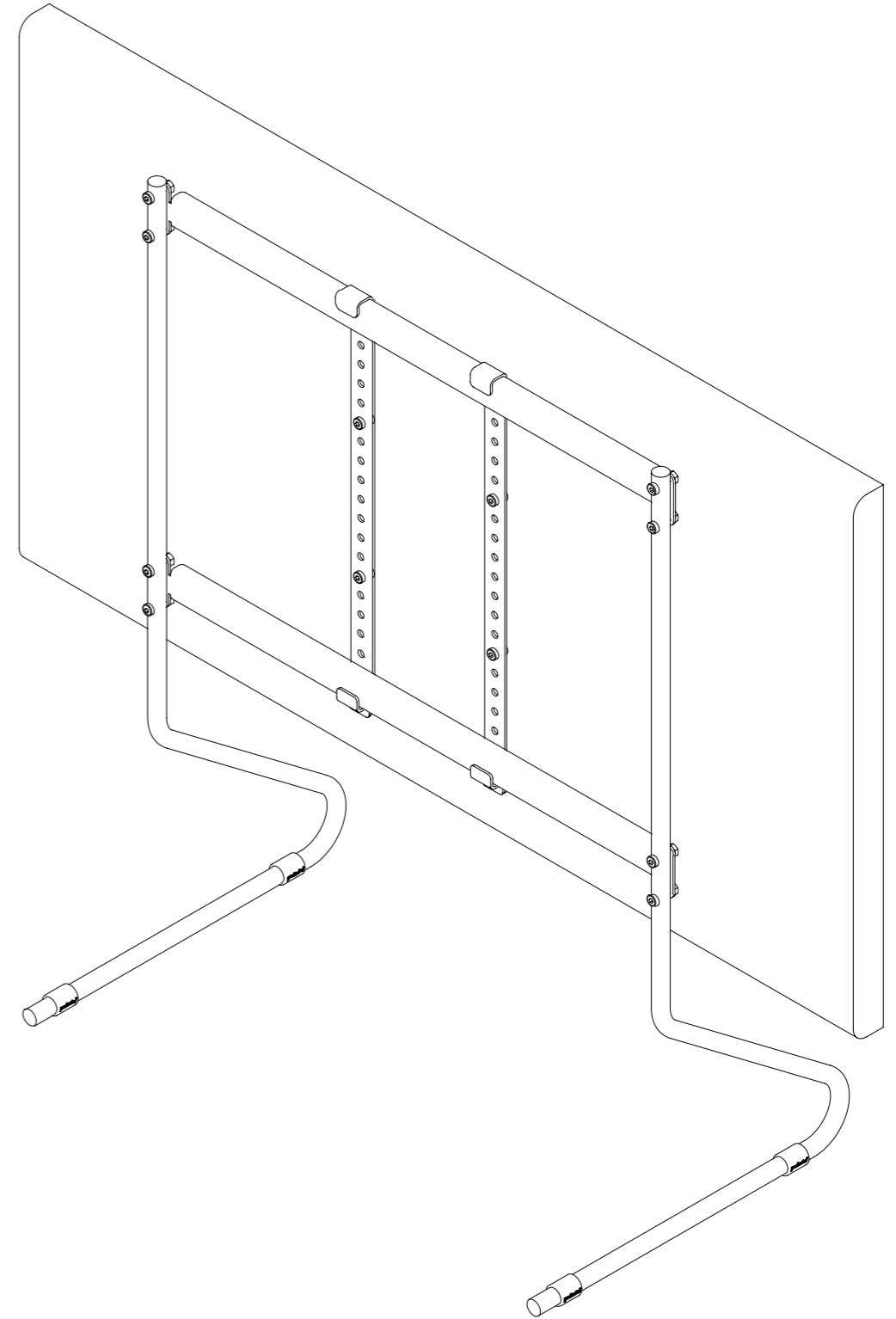
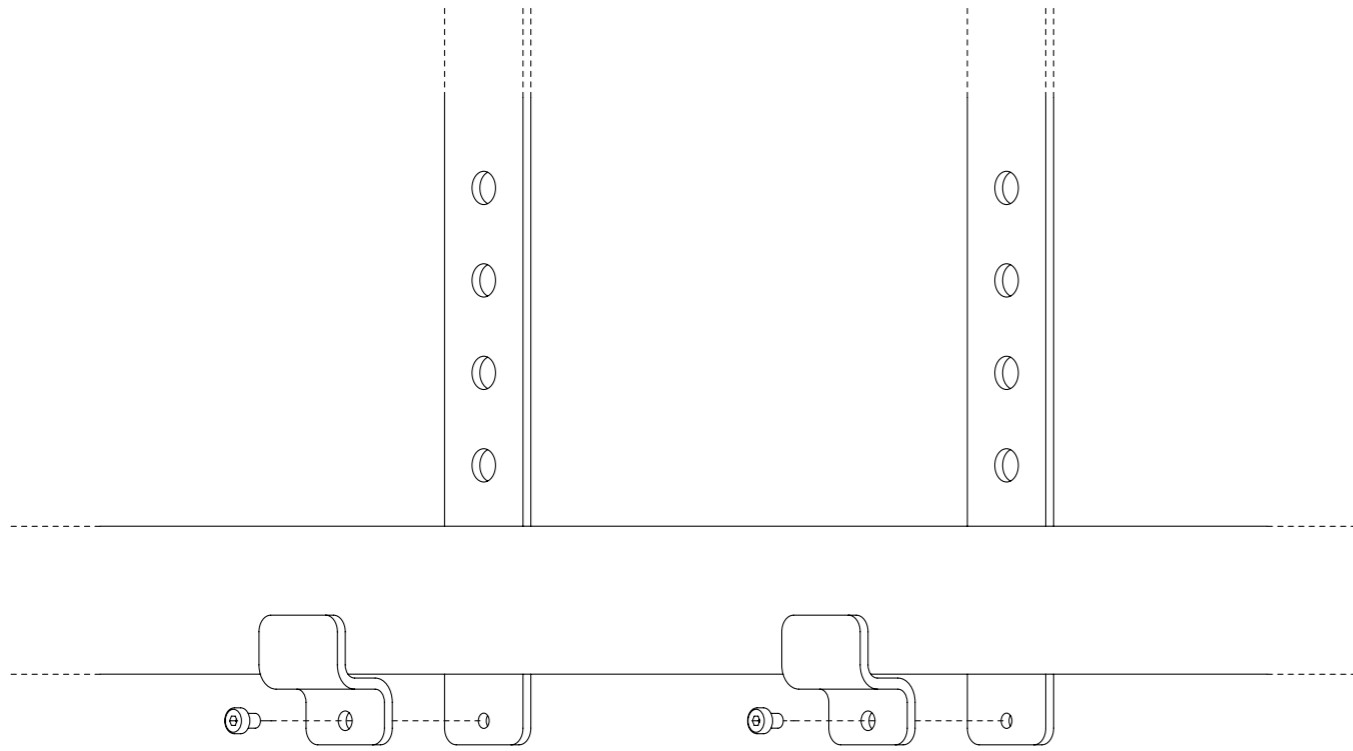


Task

Hang TV on stand

5.0 Mount safety hooks

All done



Task

Secure the TV to the stand with the safety hooks as shown.
Tighten all connections.

Parts

2 x M5x8mm Bolts



Screen steady

Popcorn ready

pedestal[®]

