

# Stitch Shelf

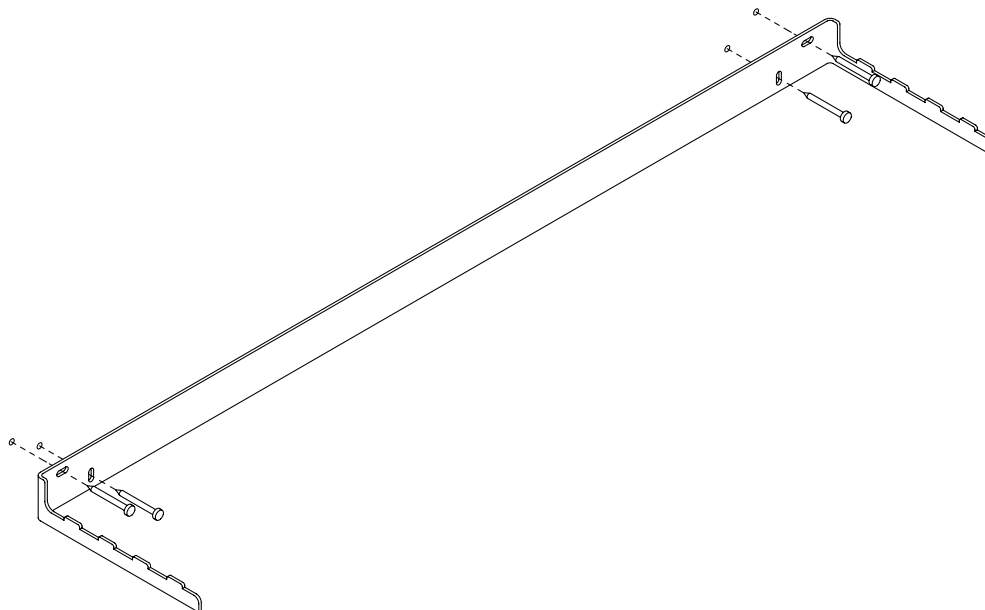
Assembly  
Guide

pedestal®

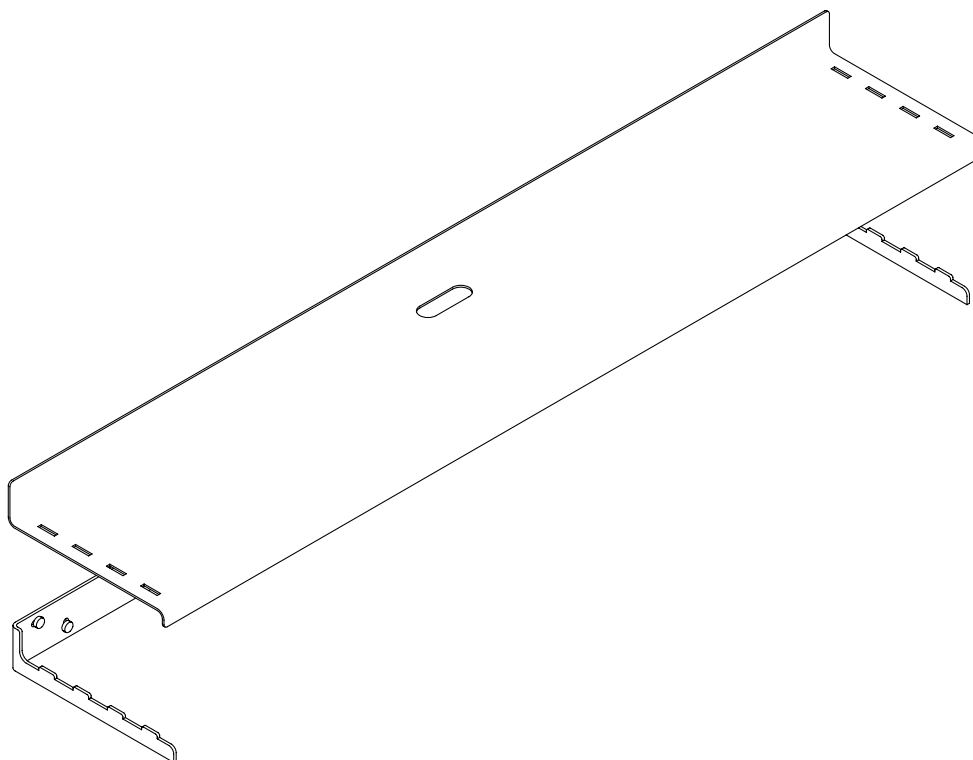


# Mount Stitch Shelf

## Step 1



## Step 2



## Task

Mark the placement of the holes on the wall using a pencil.  
Make sure the Stitch base is leveled.  
Drill 4 x Ø8 mm holes in the wall and insert the included wall plugs.  
Fasten the Stitch base to the wall, using the included screws.  
Place the shelf on top of the base.

## Parts

4 x Wall mounting screw  
4 x Wall plug



### WARNING!

Incorrect assembly and installation of the product can cause damage to the product and its surroundings.  
The included universal plugs and screws may, in rare instances, not be suitable for your wall. Use screws and plugs suitable for your wall. If you are uncertain, seek professional advice. Maximum load capacity is 8kg.

