

Straight Low/Tall/Tilted Stand

Assembly
Guide

pedestal®



Straight Low/Tall/Tilted stand

Congratulations on your new Pedestal product.

We welcome you on our journey towards creating flexible interior design solutions for tv-screens.

Back in the day, televisions were design objects – beautifully made, and put on display. But somewhere along the line, we began to care less about how they look.

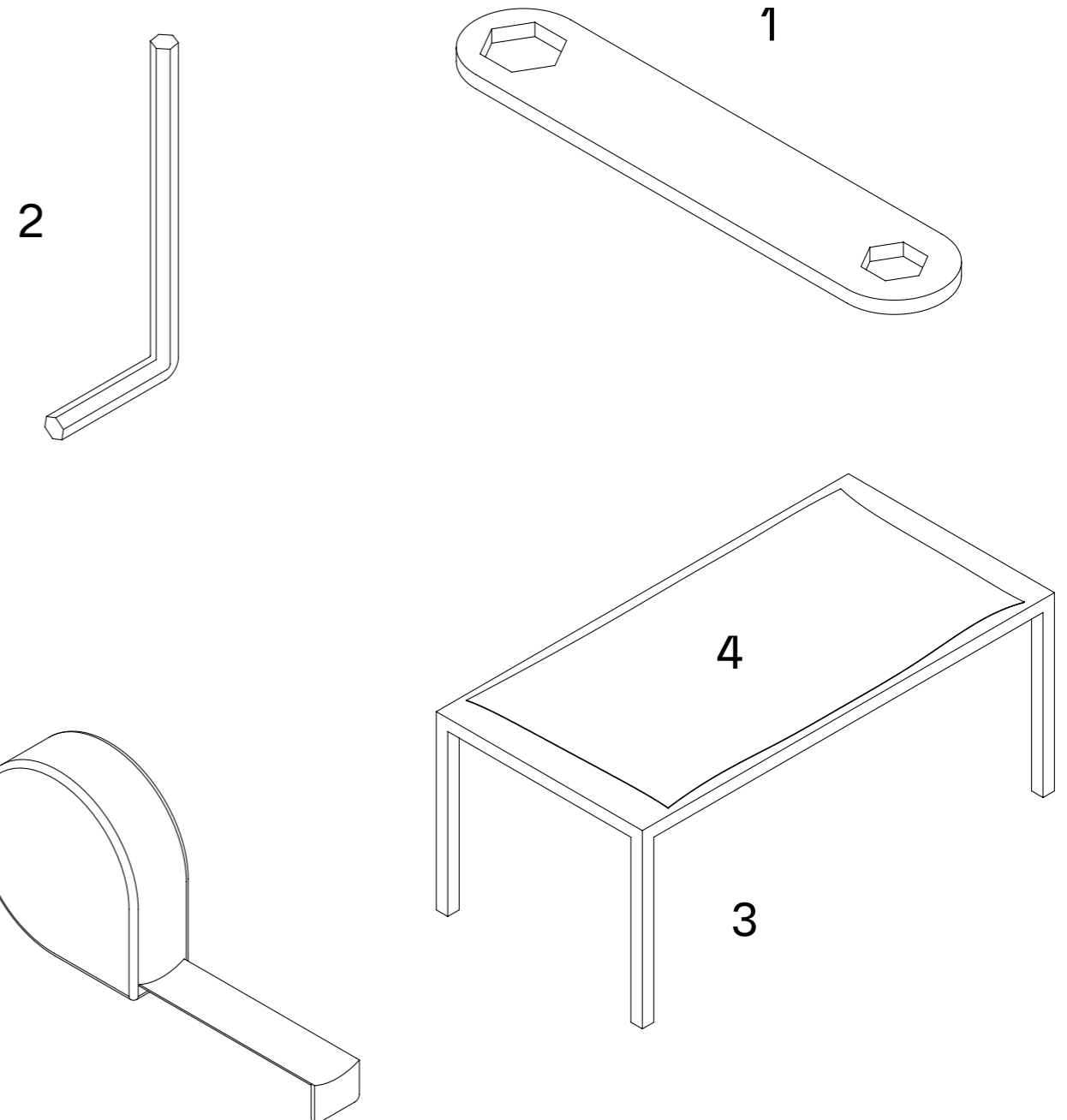
Most of us have a big screen at home. Personally, we love them. We watch, zap, and binge with a single click. But making them look good? Now, that's a challenge.

Mounts, pods, links, stands, call them what you want. Those things that hold your screen can really ruin your feng shui. Setting up your screen at home can feel like choosing between a living room – or a screening room.

So, we founded Pedestal.

We're a small team of people who design furniture that hold screens, inspired by 20th century industrial aesthetics. They should look good and work just right. That's it.

Tools



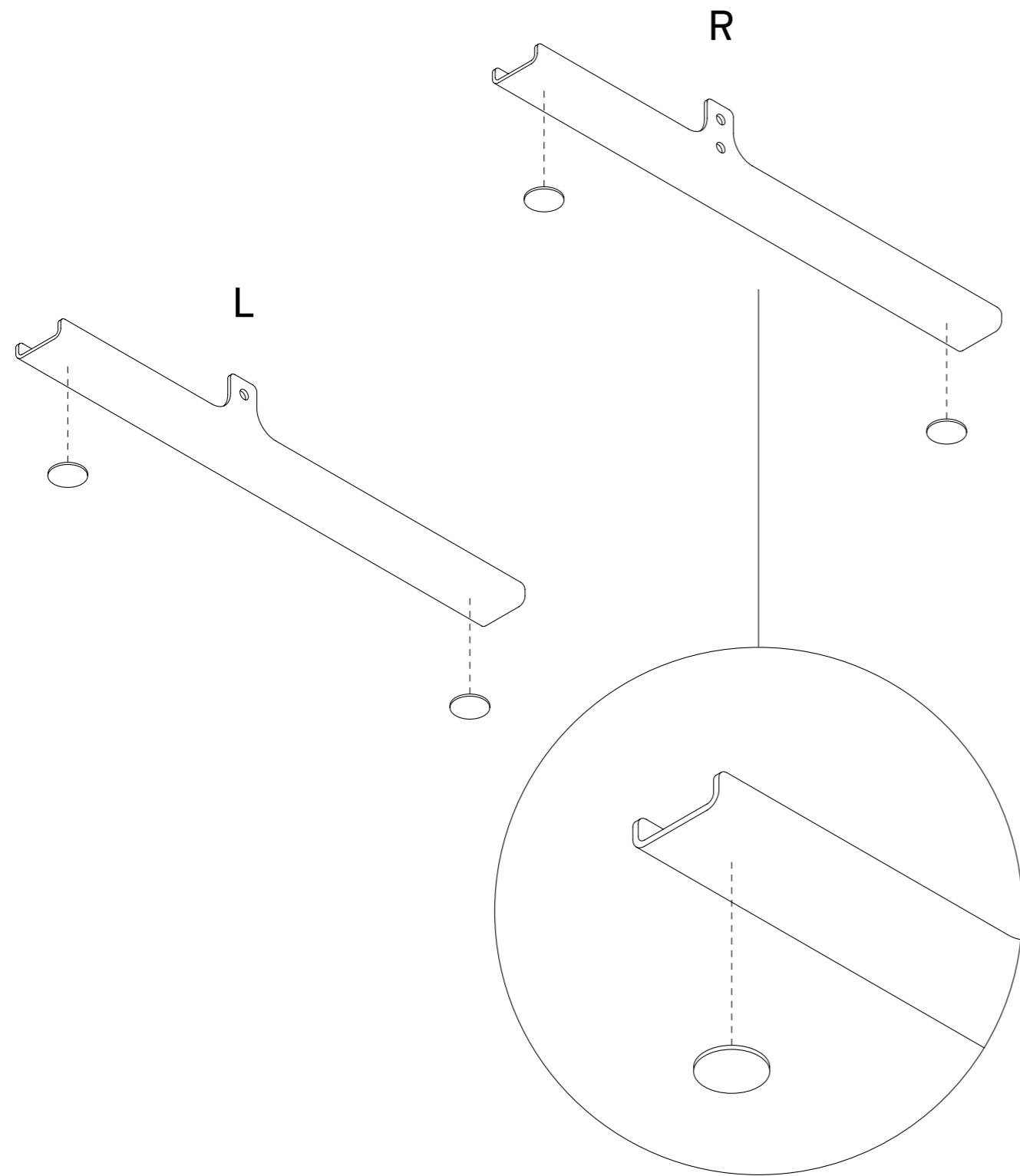
You will need the tools listed below:

- 1: Wrench (Provided in the hardware bag)
- 2: Hex key (Provided in the hardware bag)
- 3: Table
- 4: Soft cloth or blanket
- 5: Tape measure or ruler
- 6: Assisting friend



Use the QR code or type in the URL to access our video guides.
www.pdstl.com/pages/manualer

1.0 Floor protection

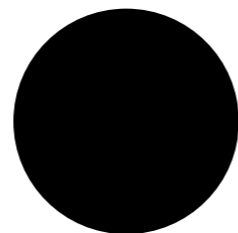


Task

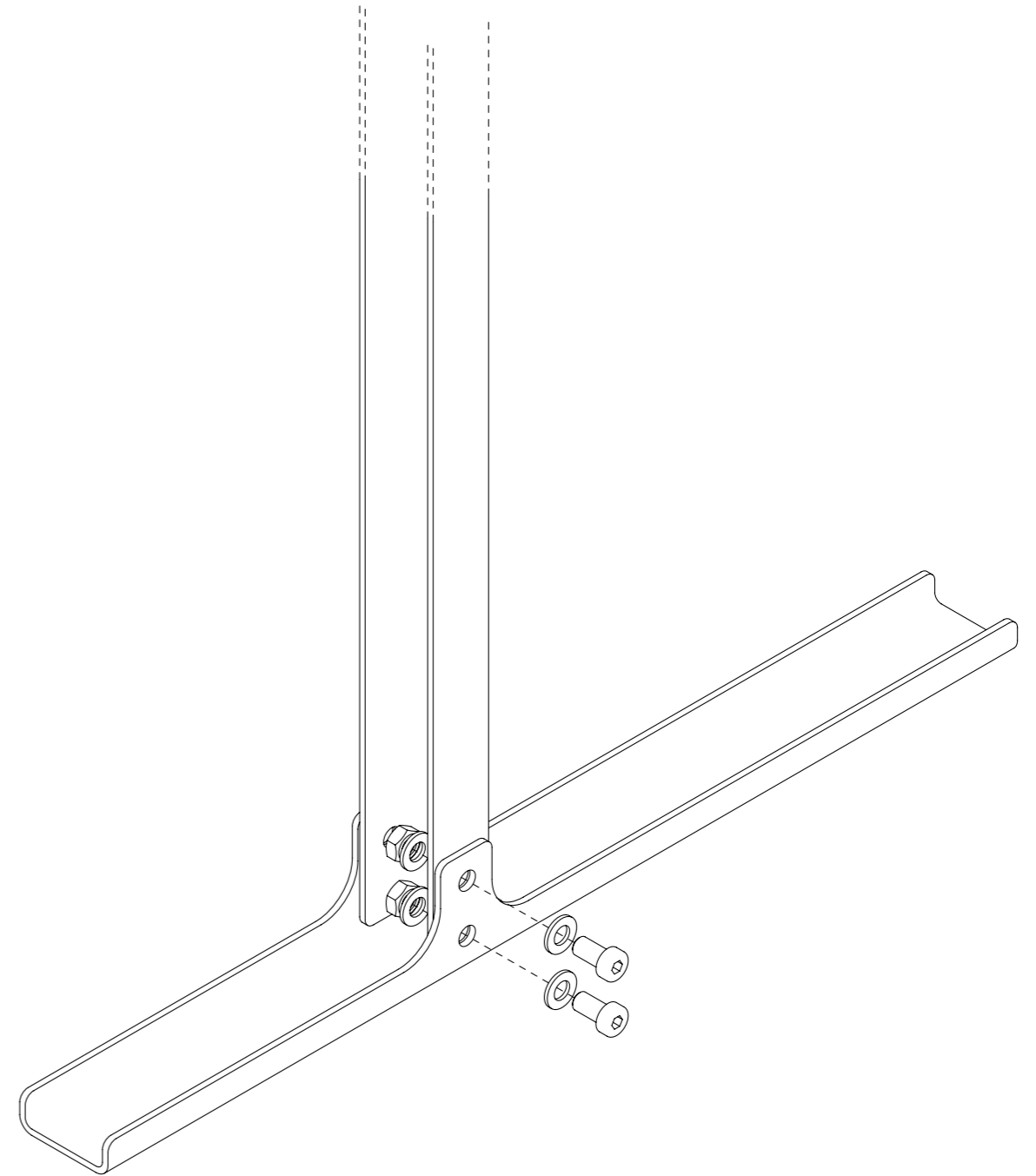
Place the adhesive rubber dots onto the bottom of the feet.
Two on each foot.

Parts

4 × Rubber dots



2.0 Right side



Task

Mount the right leg to the right foot. Start by loosely fitting bolts, washers and nuts on the side with four aligning holes, as shown.

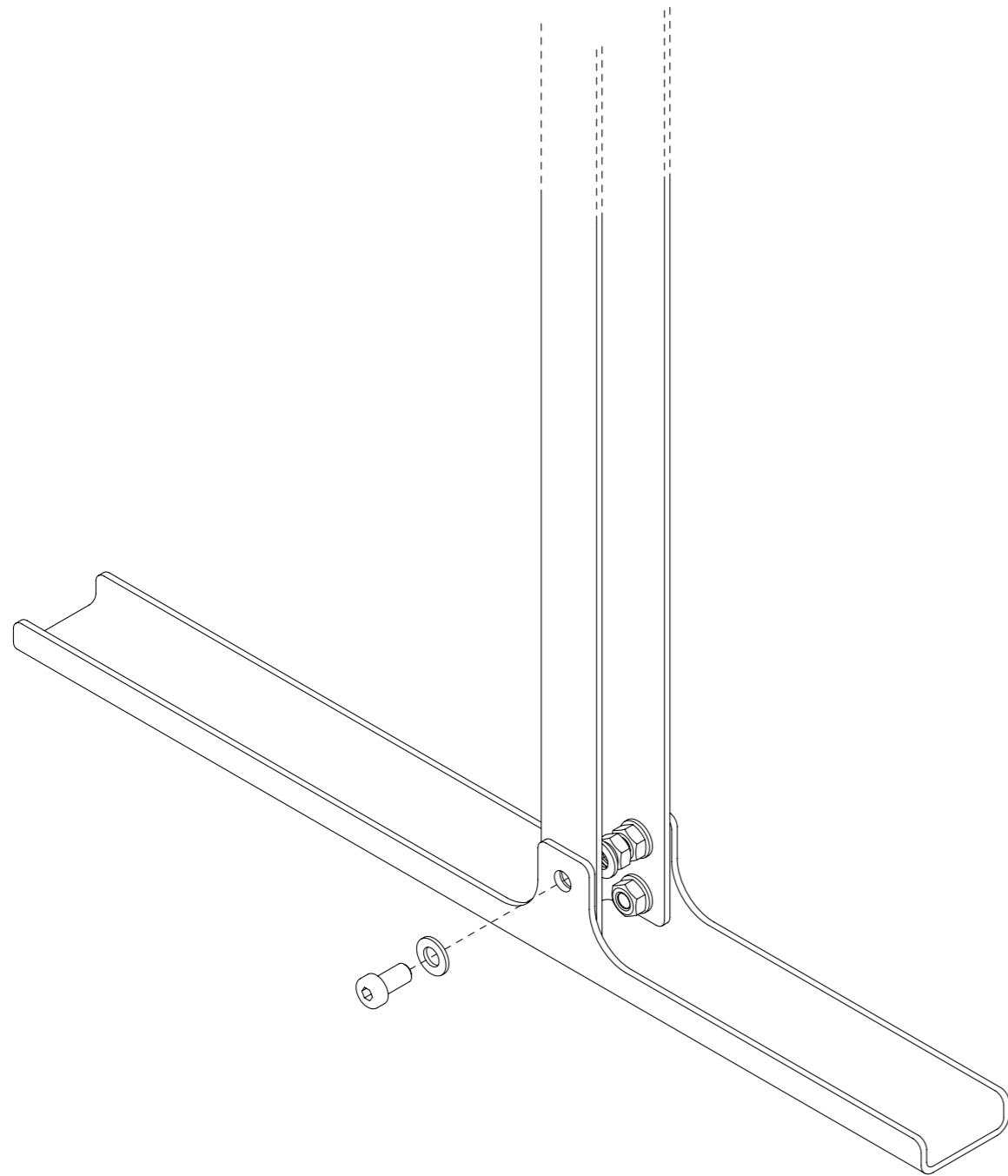
Advise: See step 2.2 for a detailed view.

Parts

2 × M8 x 16 mm bolts
4 × M8 washers
2 × M8 nuts



2.1 Right side



Task

Now fit the last bolt, washers and nut through the remaining two aligning holes. Finally tighten all three connections.

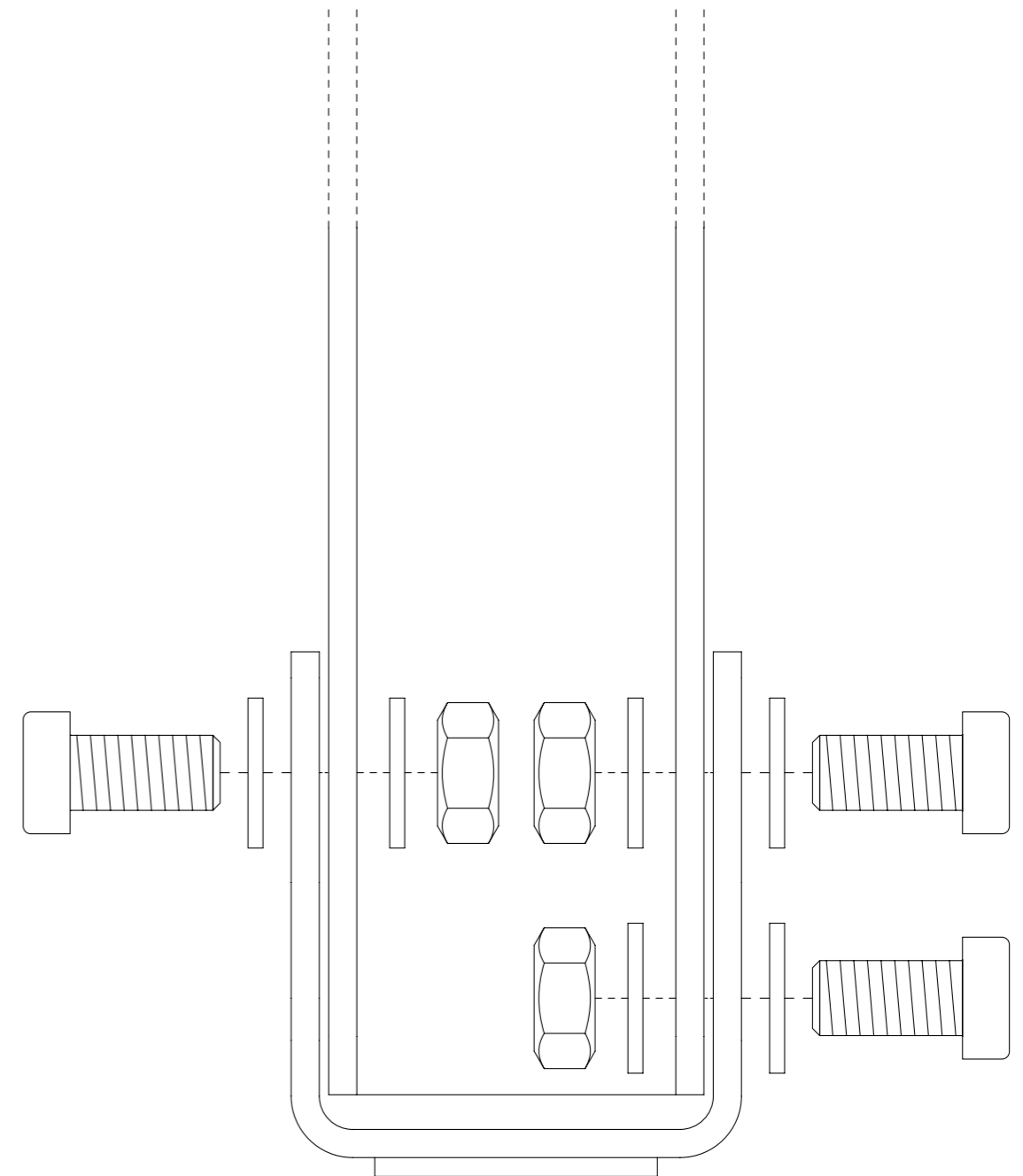
Advise: See step 2.2 for a detailed view.

Parts

- 1 × M8 x 16 mm bolt
- 2 × M8 washers
- 1 × M8 nut



2.2 Right side detail



Task

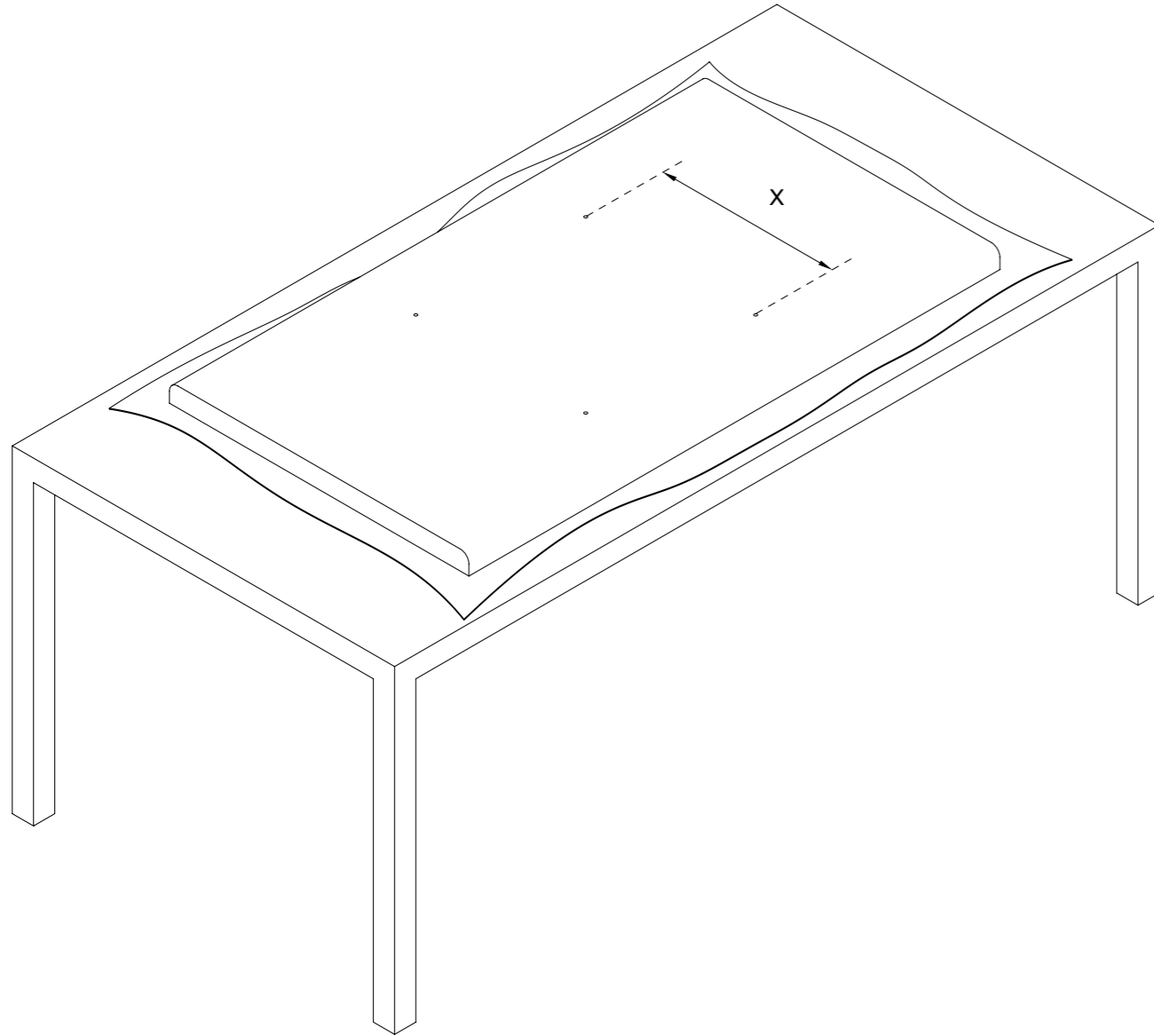
Detailed view of step 2.0 and 2.1

3.0 Left side

Same as the right side

So far, so good

4.0 Measure screen



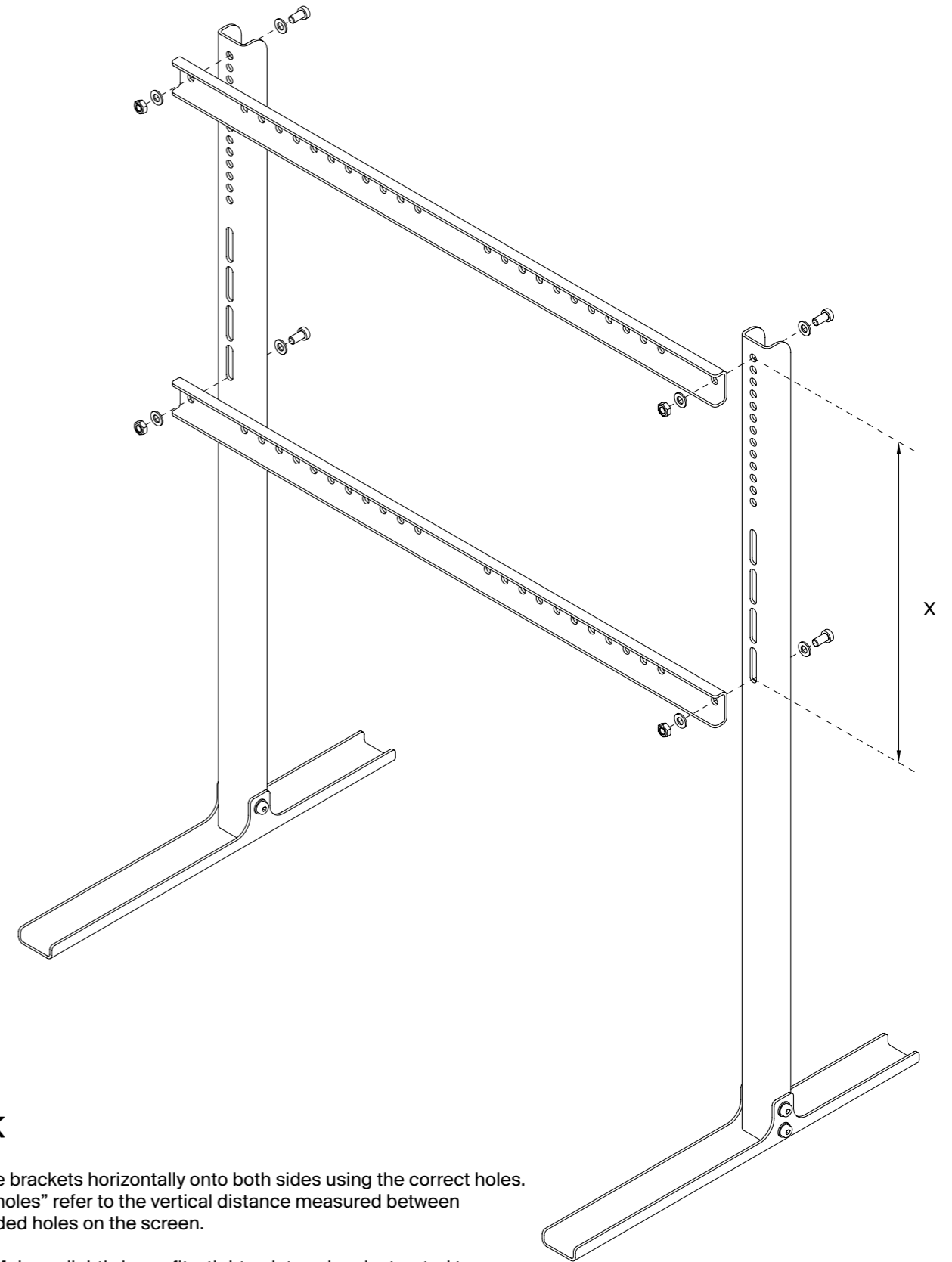
Task

Place your screen facing backside up on a tabletop with a soft cloth or blanket between the two in order to protect both.

Parts

- 1 × Table
- 1 × Soft cloth or blanket
- 1 × Tape measure or ruler

5.0 Mount brackets



Task

Mount the brackets horizontally onto both sides using the correct holes. "Correct holes" refer to the vertical distance measured between the threaded holes on the screen.

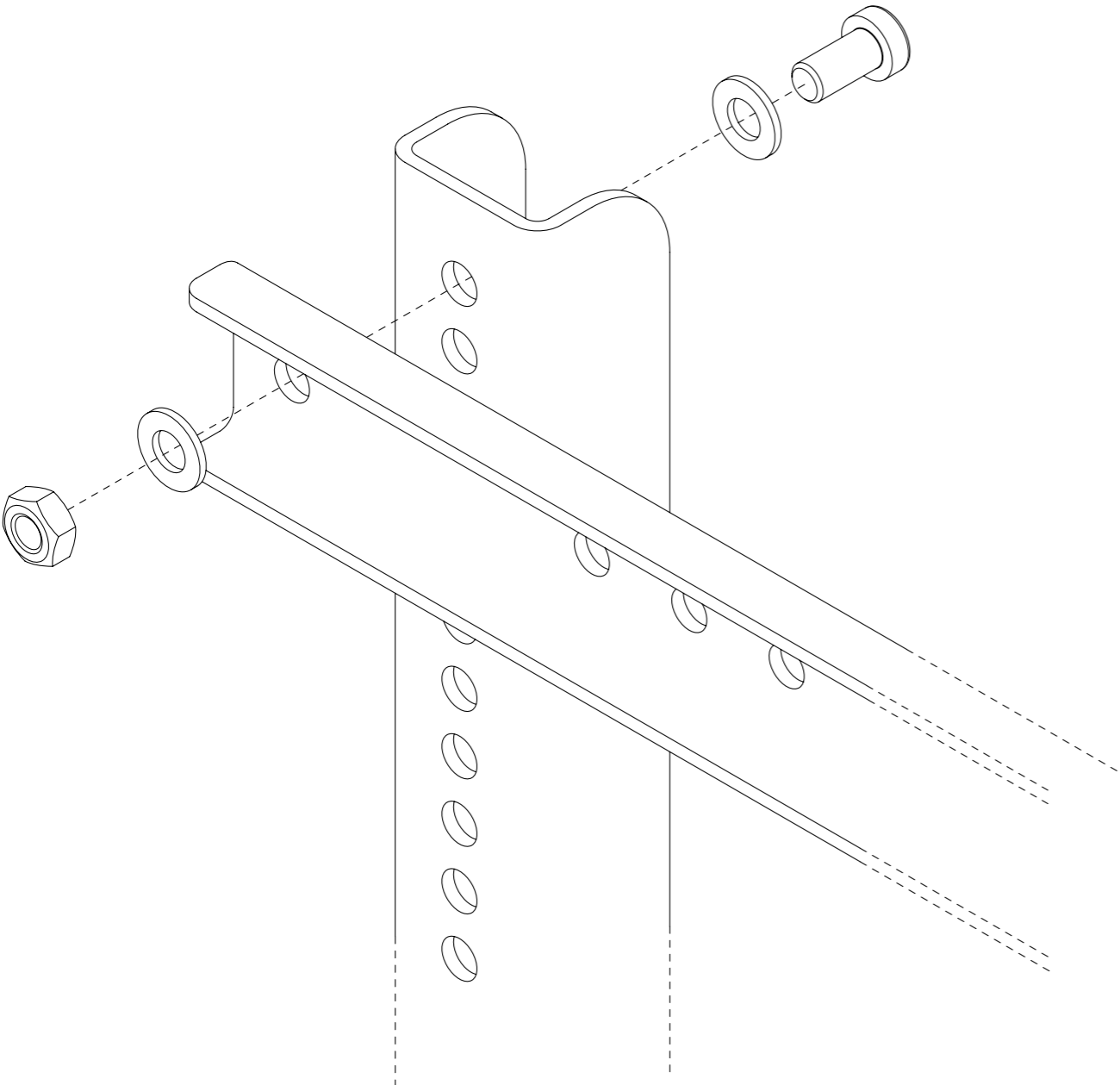
Advise: Make a slightly loose fit – tighten later when instructed to. See step 5.1 for a detailed view.

Parts

- 4 × M8 x 16 mm bolts
- 8 × M8 washers
- 4 × M8 nuts



5.1 Mount brackets detail

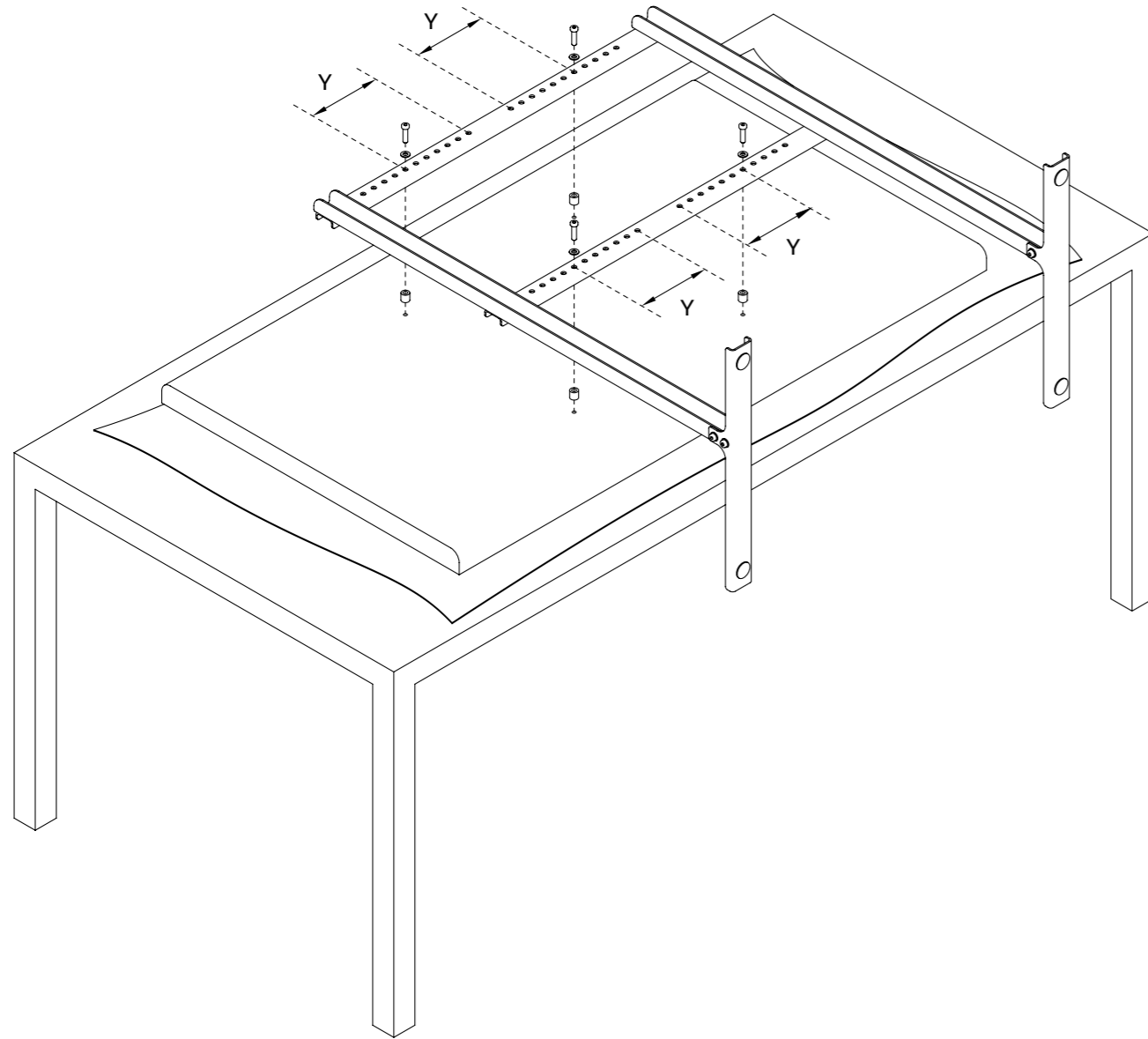


You're doing great

Task

Detailed view of step 5.0.

6.0 Mount stand



Task

While still lying on the table, connect the assembled stand to your screen.
Make sure you place the stand horizontally centered, as shown.
For a correct fit, see step 6.1.

Parts

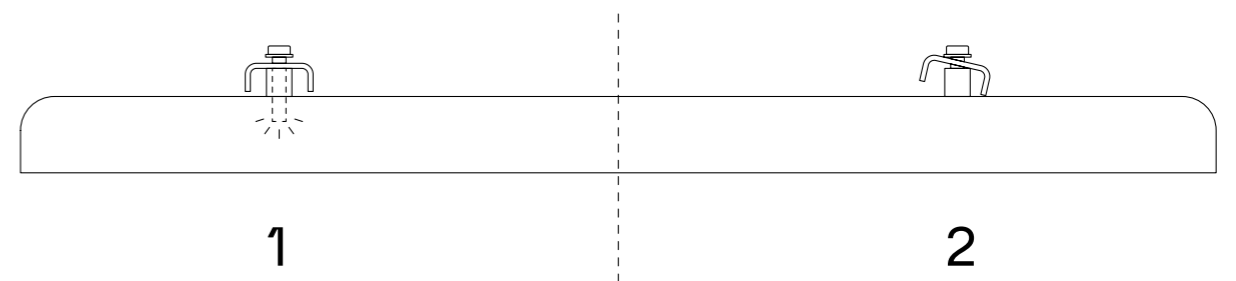
4 × Suitably sized bolts
4 × M6/M8 washers
At least 4 × Suitably sized spacers

6.1 Stand fitting

Correct fit



Incorrect fit



Do not panic!

You will not need all of the remaining hardware.
The large selection of remaining hardware is to accommodate as many different screens as possible.

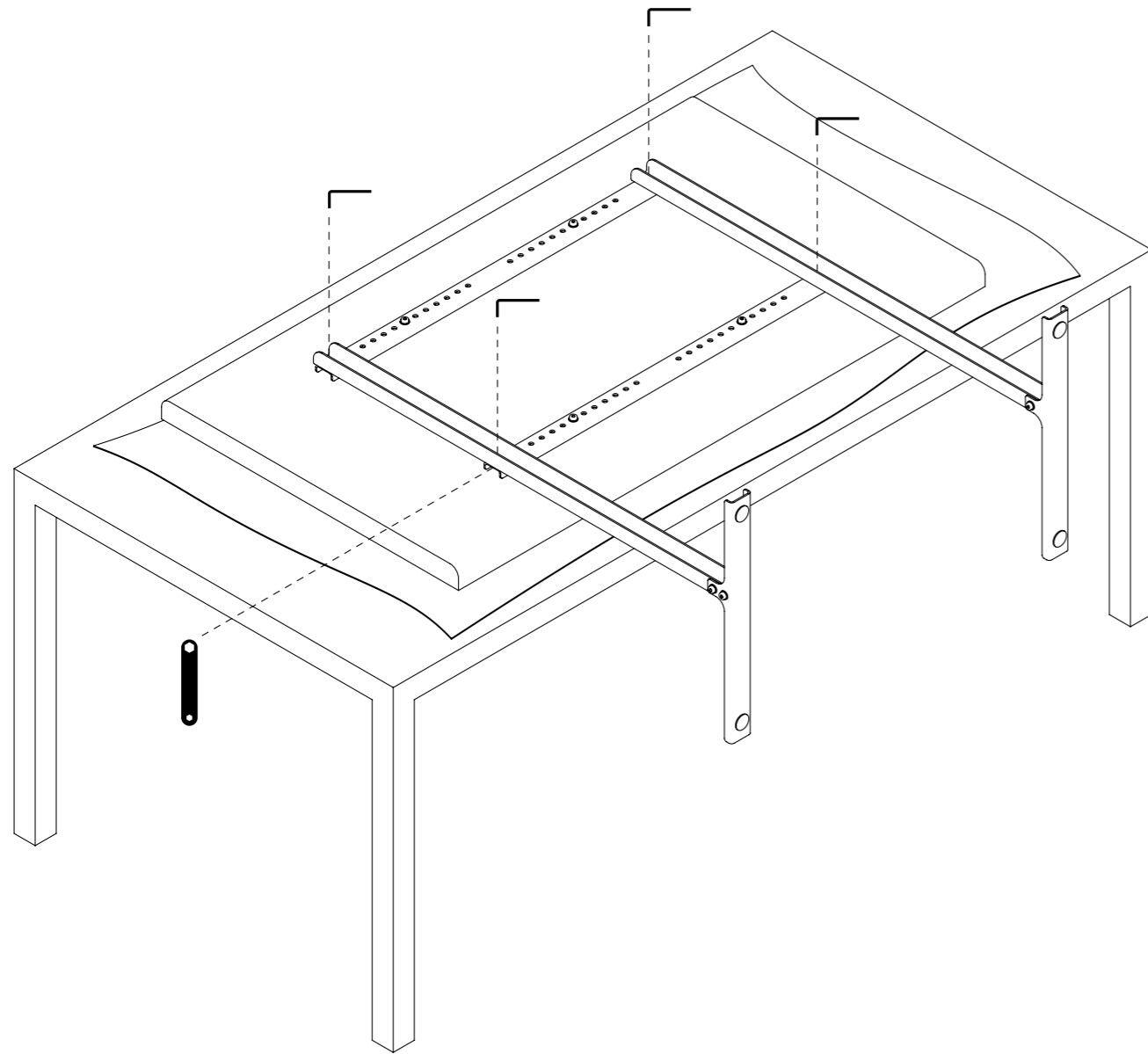
For a correct fit you will have to identify the right combination of provided spacers, washers and bolts.

Place the spacers between the screen and the brackets to ensure that the brackets do not touch the screen.

If for instance your screen has a curved backside, you might have to use more than one layer of spacers.

Now screw the appropriately dimensioned bolts with washers through the brackets and spacers into the threaded holes on the backside of the screen. Tighten the bolts until you have a snug fit. Be sure not to overtighten. The bolts must not reach the bottom of the threaded holes. Overtightening might cause damage to your screen.

6.2 Tighten connections



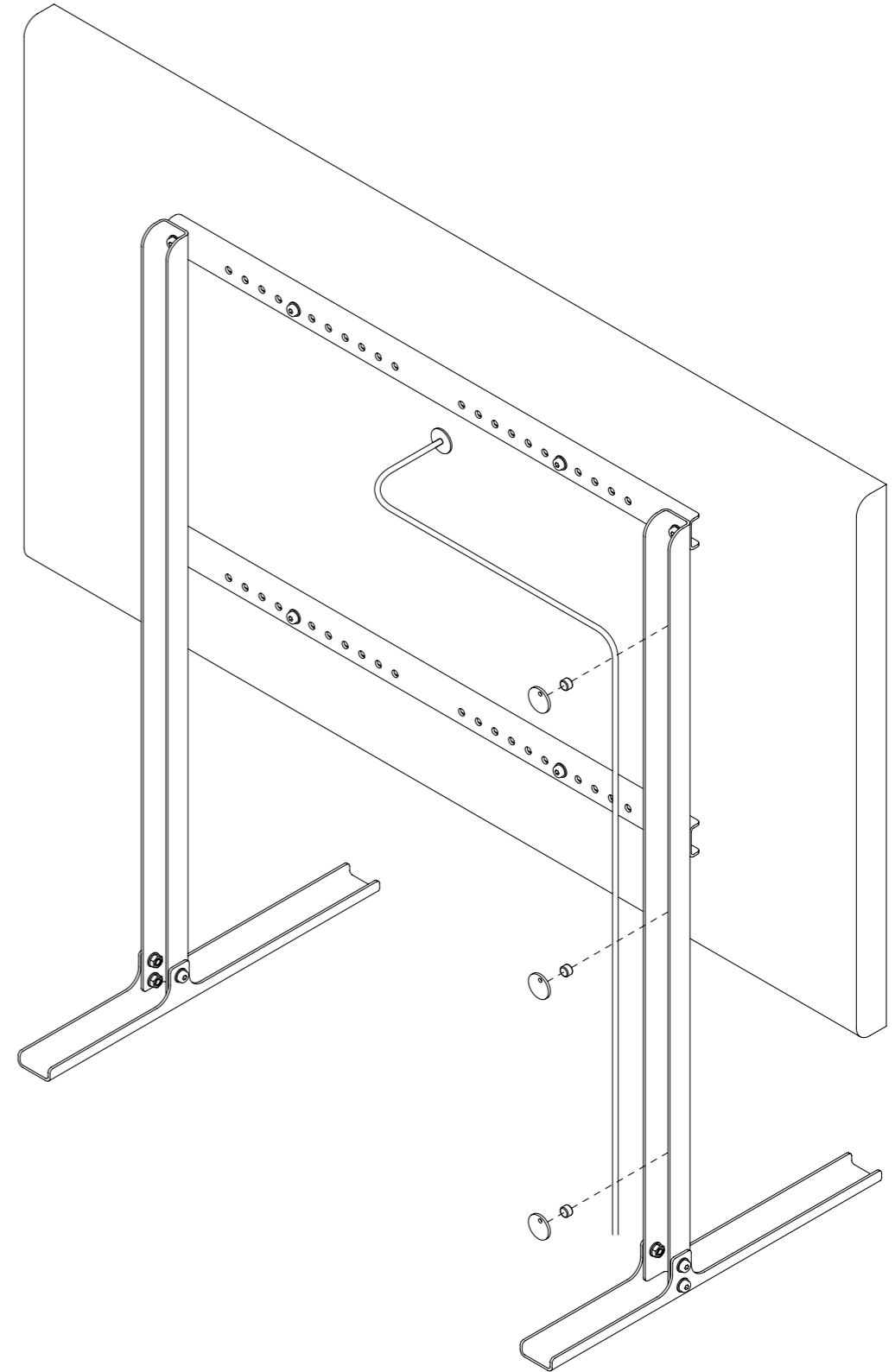
Task

Now tighten all connections between the legs and the brackets.

Parts

1 × Hex key
1 × Wrench

7.0 Organize

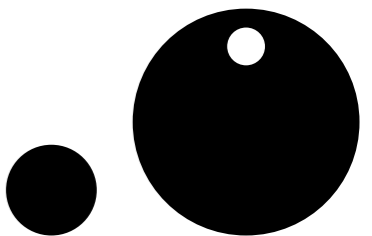


Task

Organize and hide your cables along the brackets and the legs of the stand with the included magnets and cable dots.

Parts

3 × Magnets
3 × Cable dots



Screen steady

Popcorn ready



pedestal®

