

Lean

Assembly
Guide

pedestal®



Lean

Congratulations on your new Pedestal product.

We welcome you on our journey towards creating flexible interior design solutions for tv-screens.

Back in the day, televisions were design objects – beautifully made, and put on display. But somewhere along the line, we began to care less about how they look.

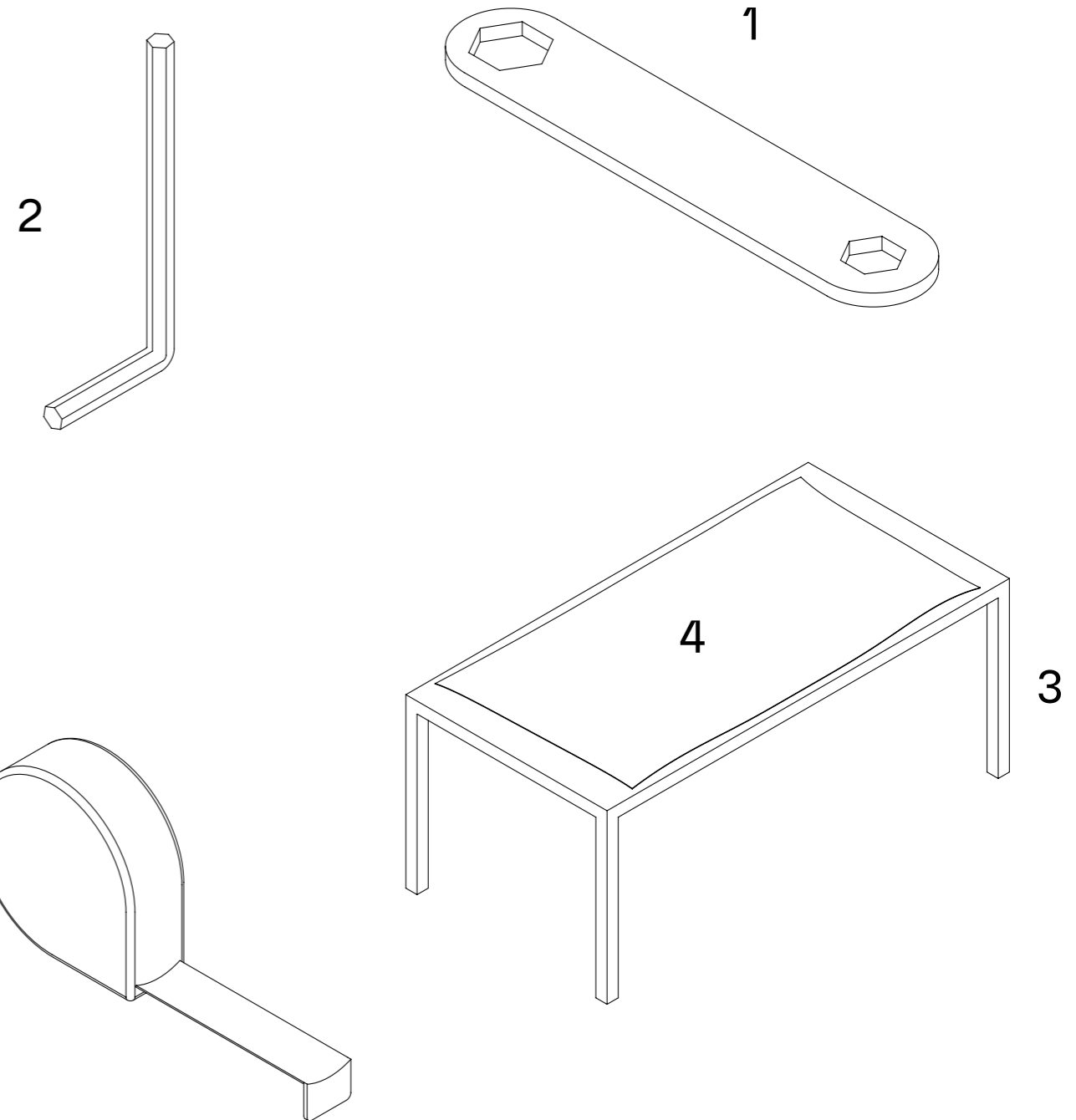
Most of us have a big screen at home. Personally, we love them. We watch, zap, and binge with a single click. But making them look good? Now, that's a challenge.

Mounts, pods, links, stands, call them what you want. Those things that hold your screen can really ruin your feng shui. Setting up your screen at home can feel like choosing between a living room – or a screening room.

So, we founded Pedestal.

We're a small team of people who design furniture that hold screens, inspired by 20th century industrial aesthetics. They should look good and work just right. That's it.

Tools



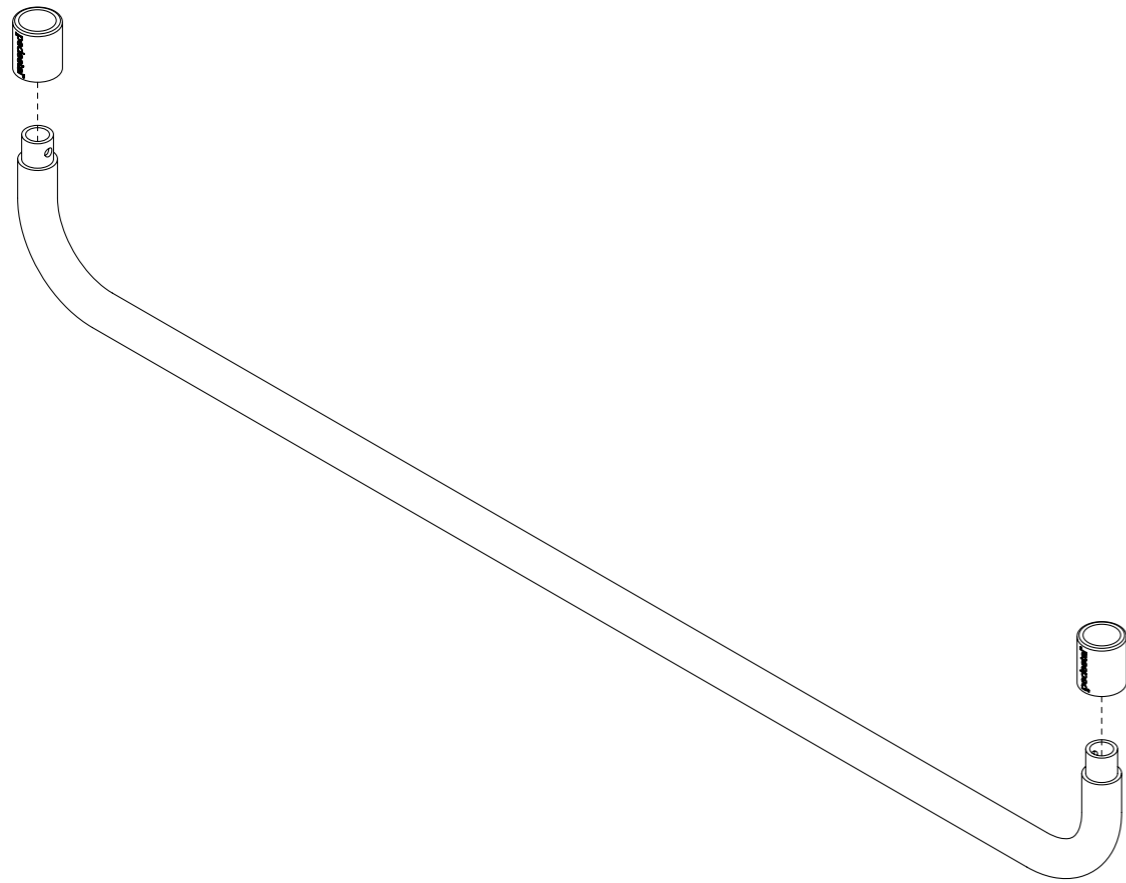
You will need the tools listed below:

- 1: Wrench (Provided in the hardware bag)
- 2: Hex keys (Provided in the hardware bag)
- 3: Table
- 4: Soft cloth or blanket
- 5: Tape measure or ruler
- 6: Assisting friend



Use the QR code or type in the URL to access our video guides.
www.pdstl.com/pages/manualer

1.0 Floor Protection

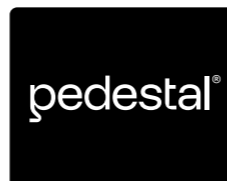


Task

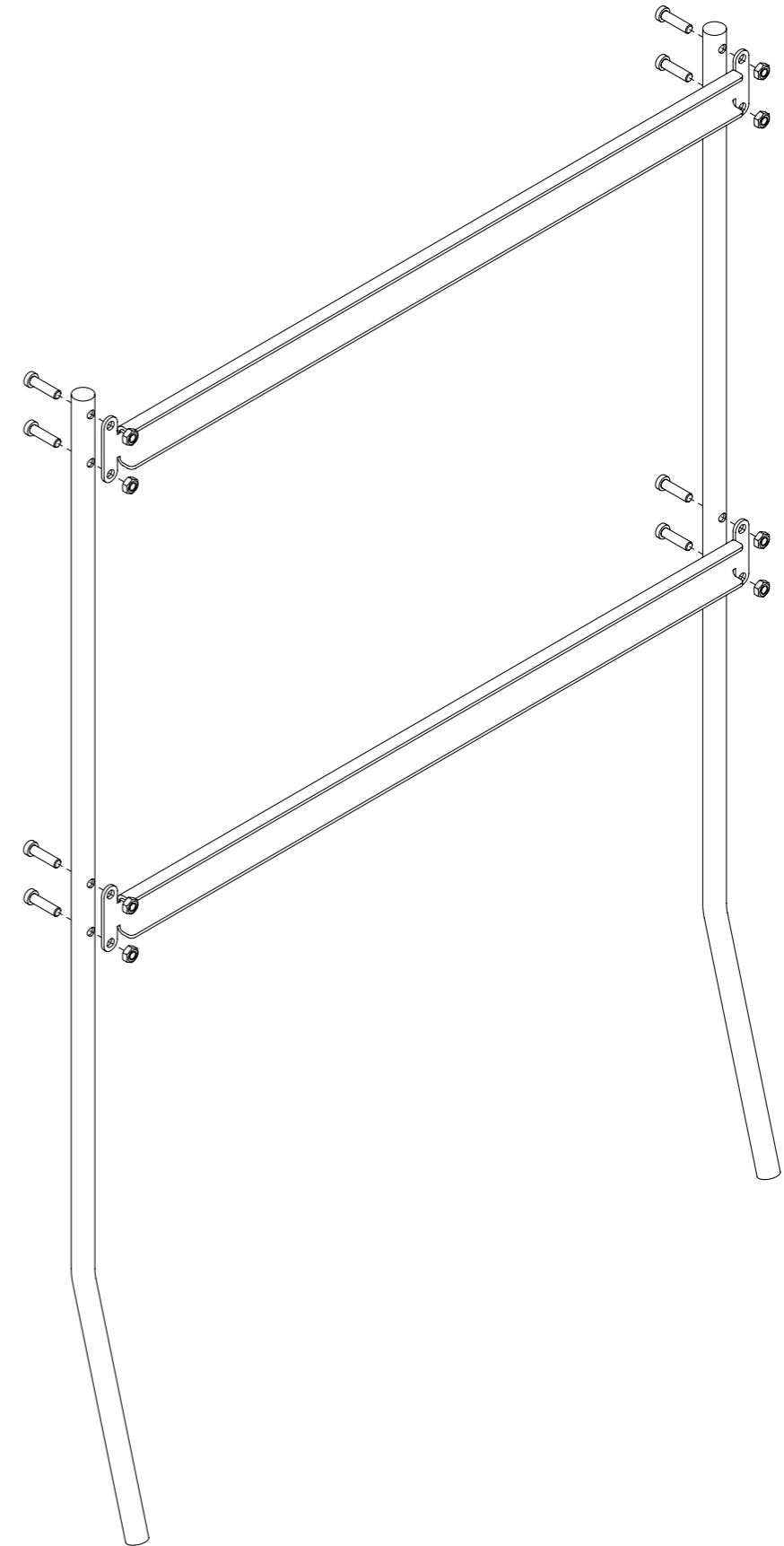
Slide the silicone gliders onto the tube.

Parts

2 x Silicone gliders



2.0 Mount brackets

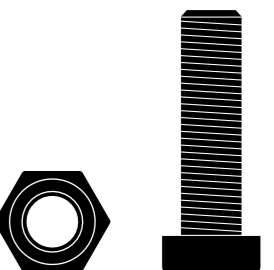


Task

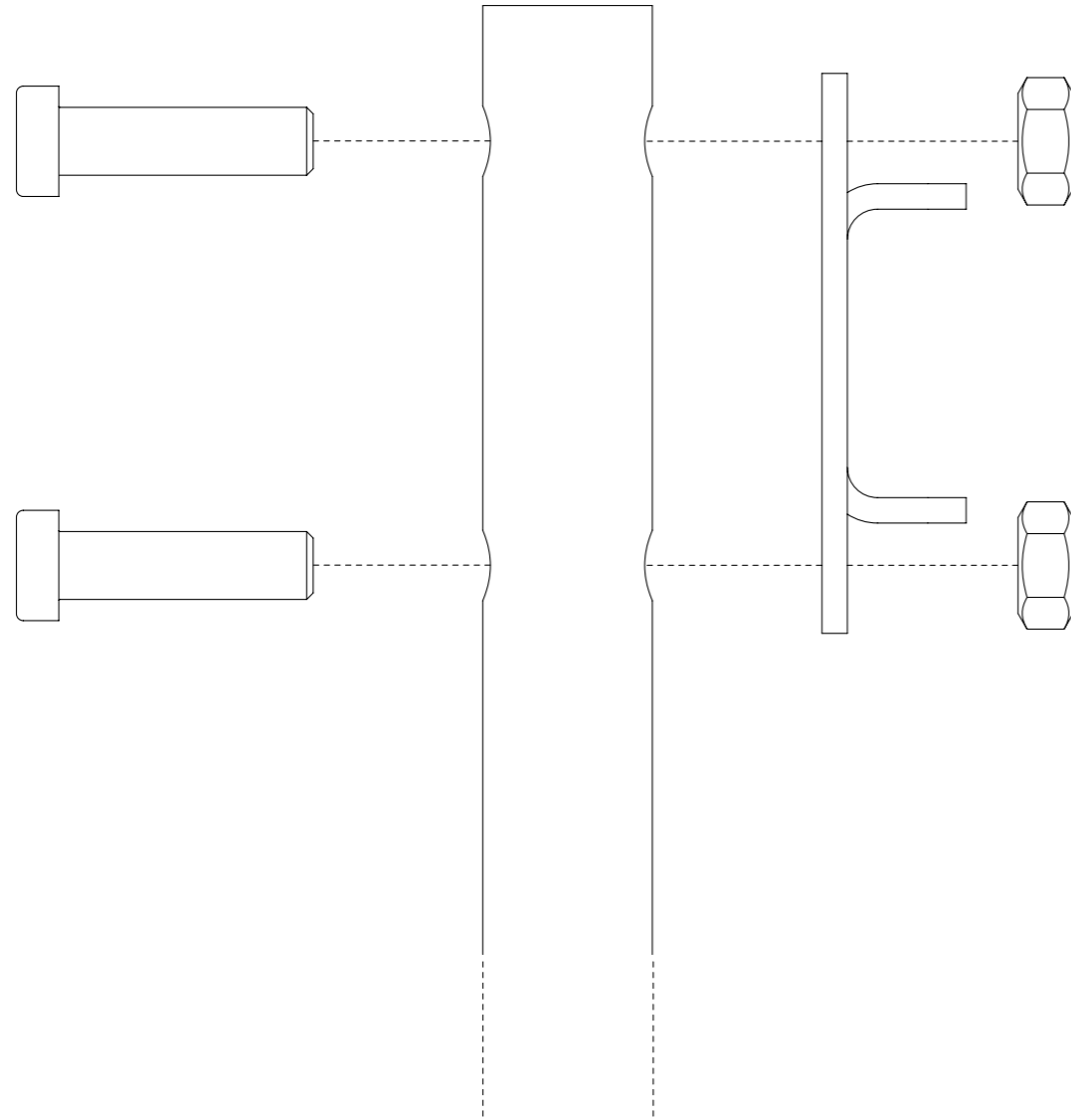
Mount the brackets horizontally onto both sides as shown.
Tighten all connections.

Parts

8 x M8 x 30 mm bolts
8 x M8 Nuts



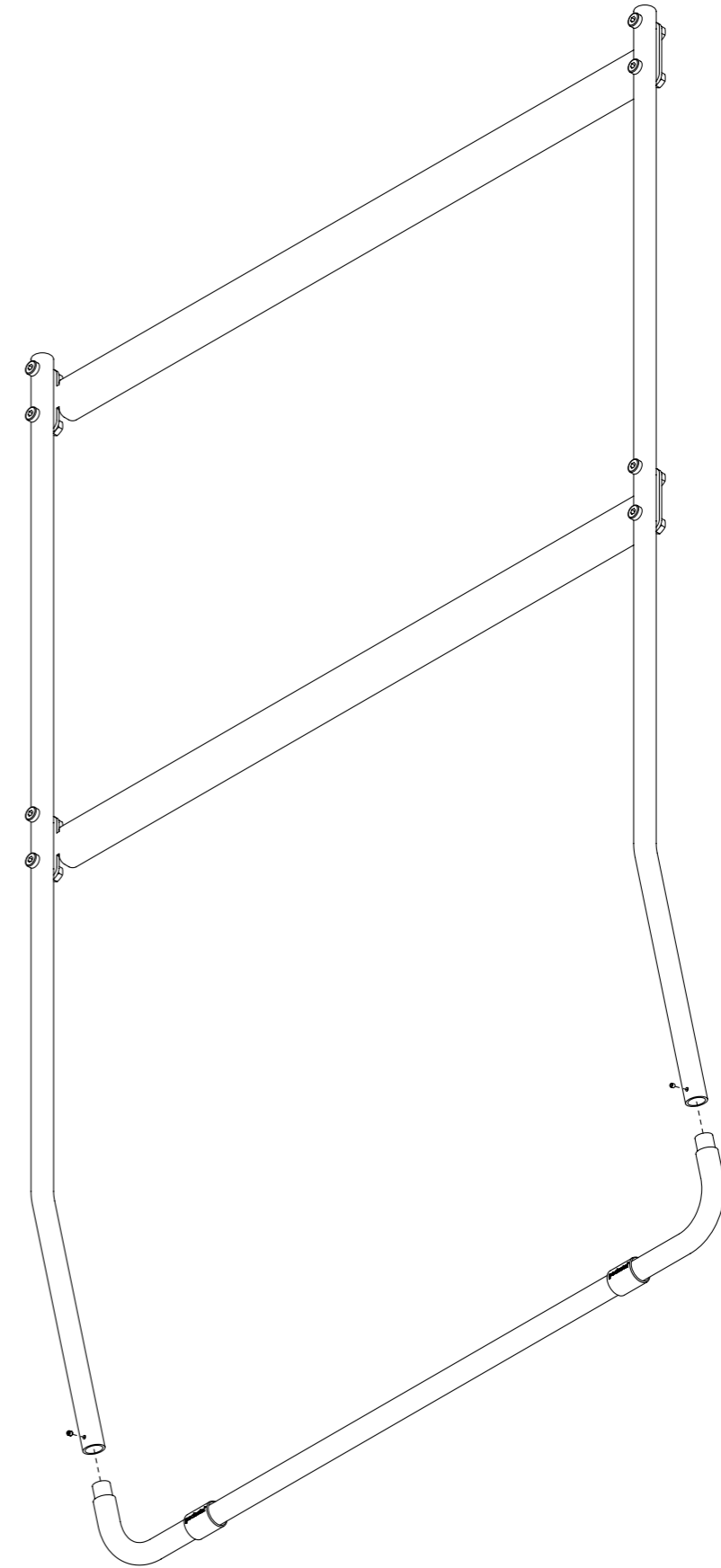
2.1 Mount brackets detail



Task

Detailed view of step 2.0.

3.0 Mount foot



Task

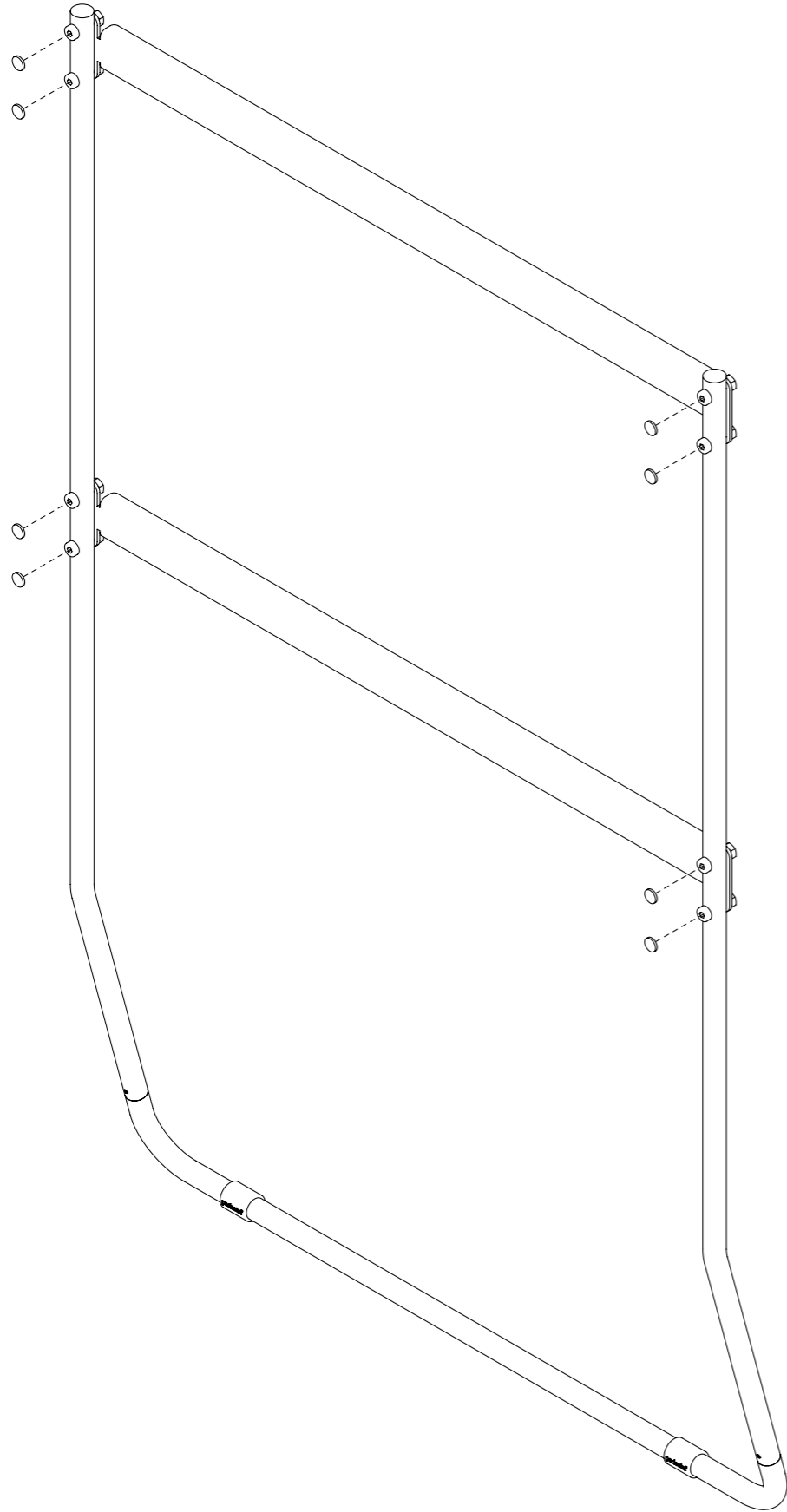
Mount the bottom tube into the main frame using the set screws and the smallest hex key. Tighten all connections.

Parts

2 x M4 x 3 mm set screws



4.0 Wall protection



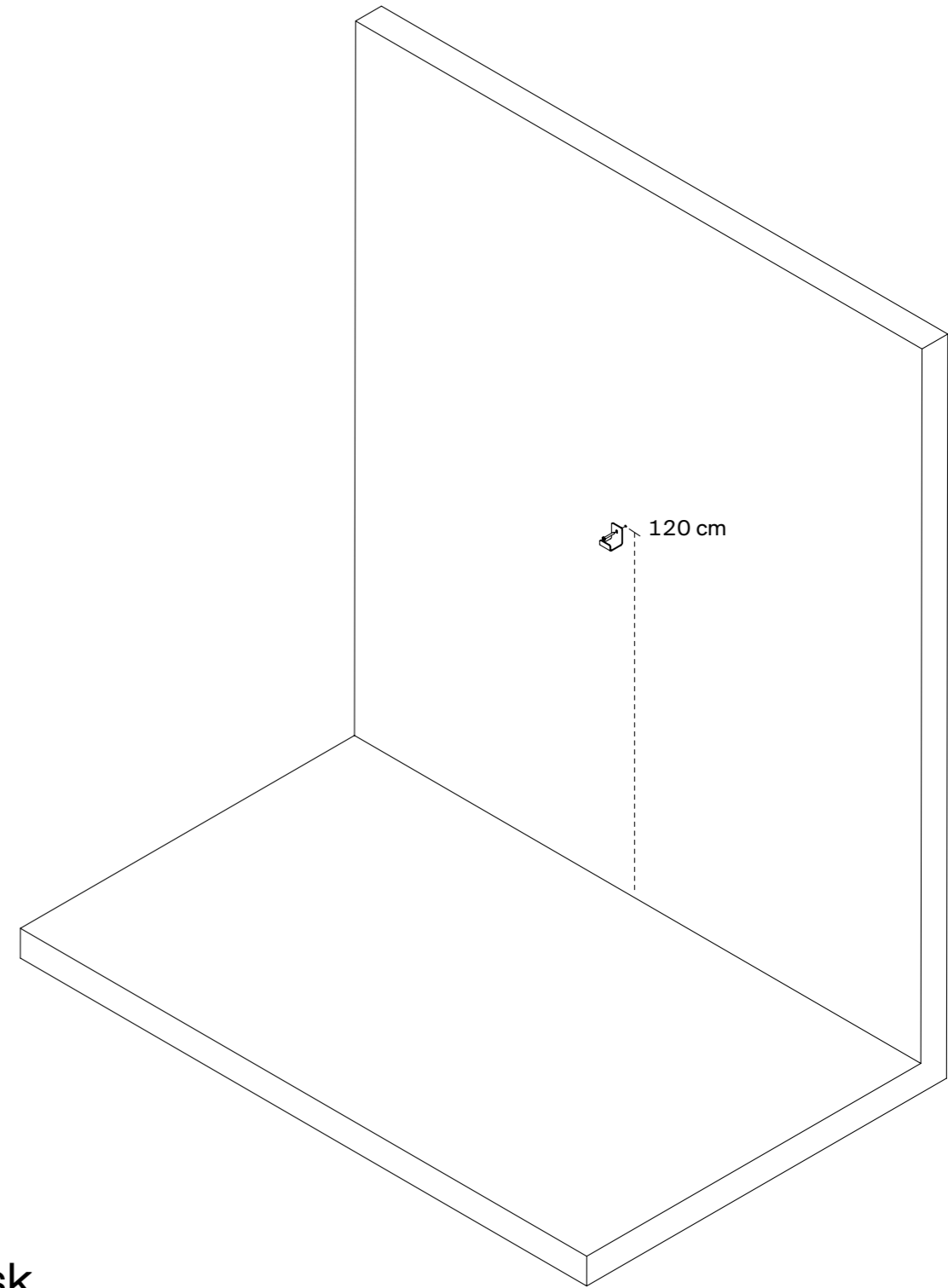
Task

Place the adhesive rubber dots onto the head of each bolt as shown.

Parts

8 x Rubber dots

5.0 Mount wall hook



Task

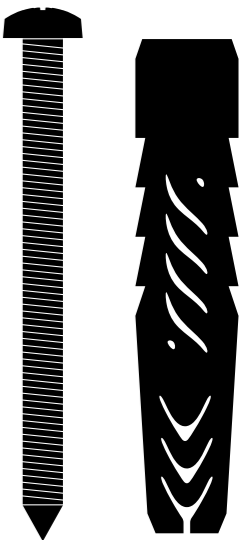
Mark the placement of the hole on the wall hook using a pencil.
The hole must be placed 120 cm from the floor.
Drill a Ø8 mm hole and insert the included wall plug.
Fasten the wall hook to the wall, using the included screw.

Parts

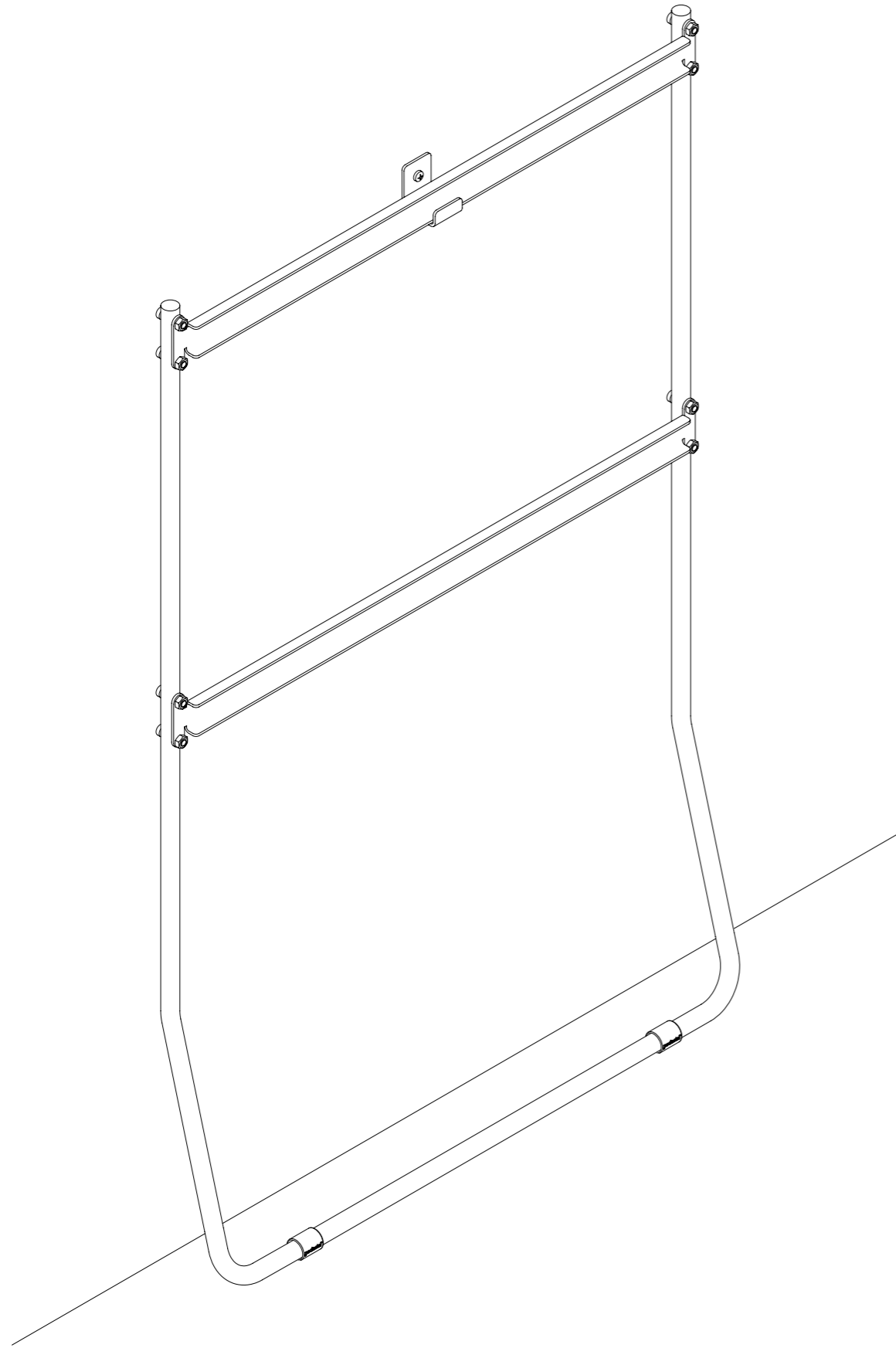
1 x Wall mounting screw
1 x Wall plug



WARNING!
Incorrect assembly and installation of the stand can cause damage to the attached equipment and its surroundings. To prevent the stand from tipping over, the stand must be used with the wall attachment device provided. The included universal plugs and screws may, in rare instances, not be suitable for your wall. Use screws and plugs suitable for your walls. If you are uncertain, seek professional advice.



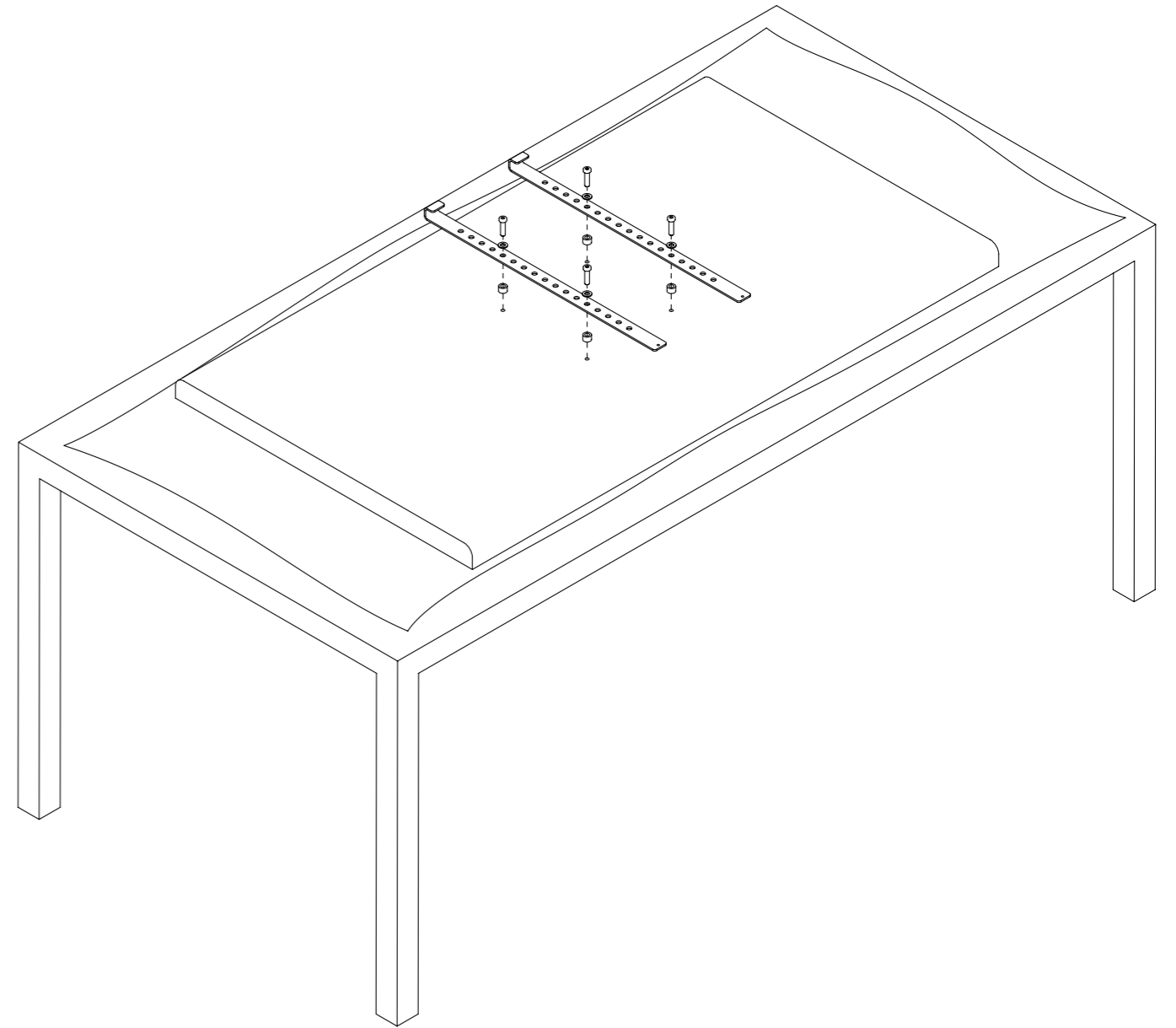
6.0 Mount stand on wall hook



Task

Place the assembled stand in the wall hook, leaning against the wall.

7.0 Mount TV brackets



Task

Place your screen facing backside up on a tabletop with a soft cloth or blanket between the two in order to protect both. Mount the TV brackets vertically using the fitting holes.

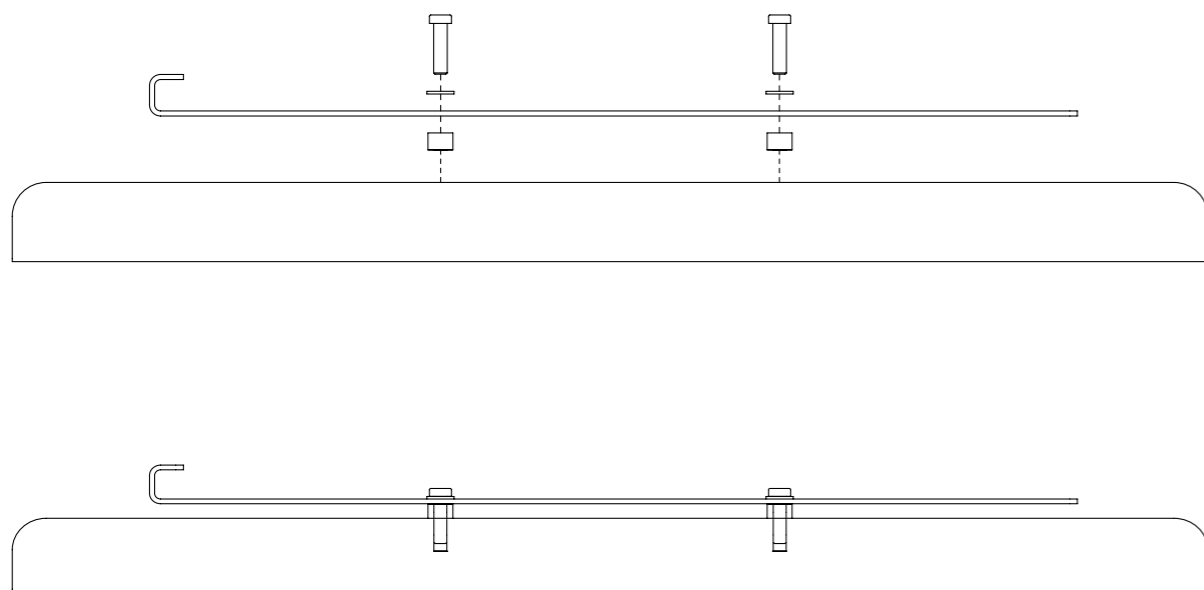
For correct fit, see step 7.1

Parts

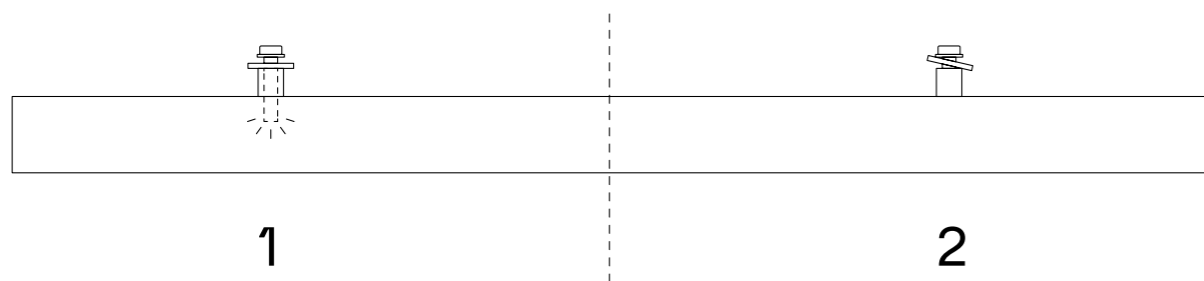
4 x suitably sized bolts
4 x M6/M8 washers
At least 4 x suitably sized spacers

7.1 TV brackets fitting

Correct fit



Incorrect fit



Do not panic!

You will not need all of the remaining hardware. The large selection of remaining hardware is to accommodate as many different screens as possible.

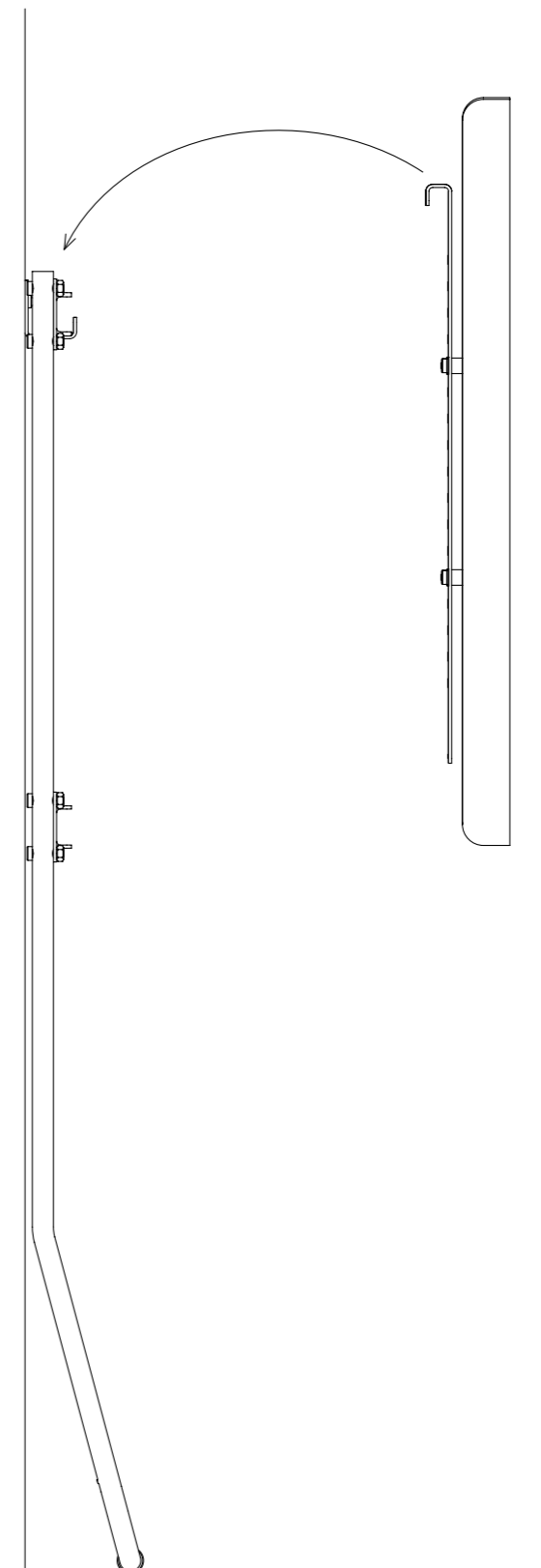
For a correct fit you will have to identify the right combination of provided spacers, washers and bolts.

Place the spacers between the screen and the brackets to ensure that the brackets do not touch the screen.

If for instance your screen has a curved backside, you might have to use more than one layer of spacers.

Now screw the appropriately dimensioned bolts with washers through the brackets and spacers into the threaded holes on the backside of the screen. Tighten the bolts until you have a snug fit. Be sure not to overtighten. The bolts must not reach the bottom of the threaded holes. Overtightening might cause damage to your screen.

8.0 Mount TV on stand

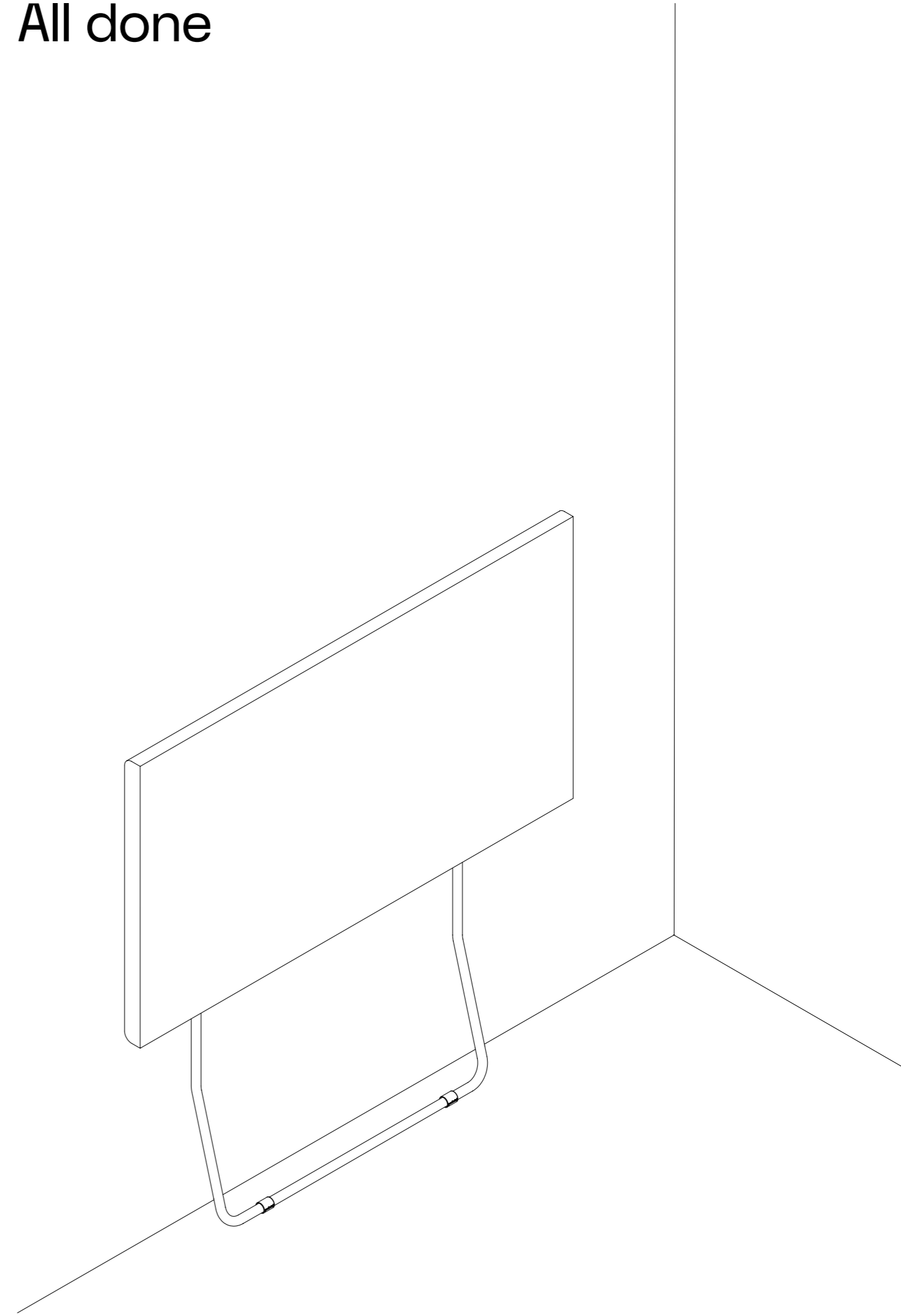
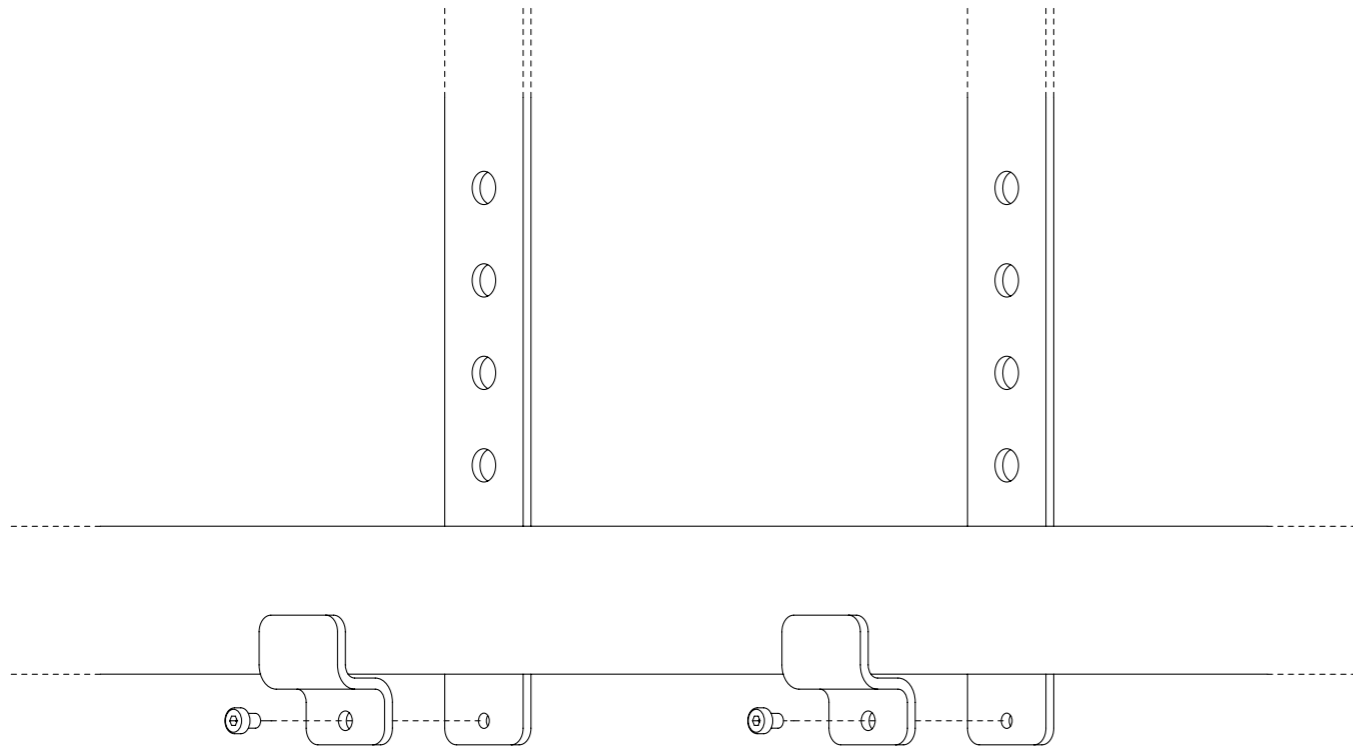


Task

Place your screen on the stand.

9.0 Mount safety hooks

All done



Task

Secure the TV bracket with the safety hooks as shown. Tighten all connections.

Parts

2 x M5 x 8 mm



Screen steady

Popcorn ready

pedestal[®]

