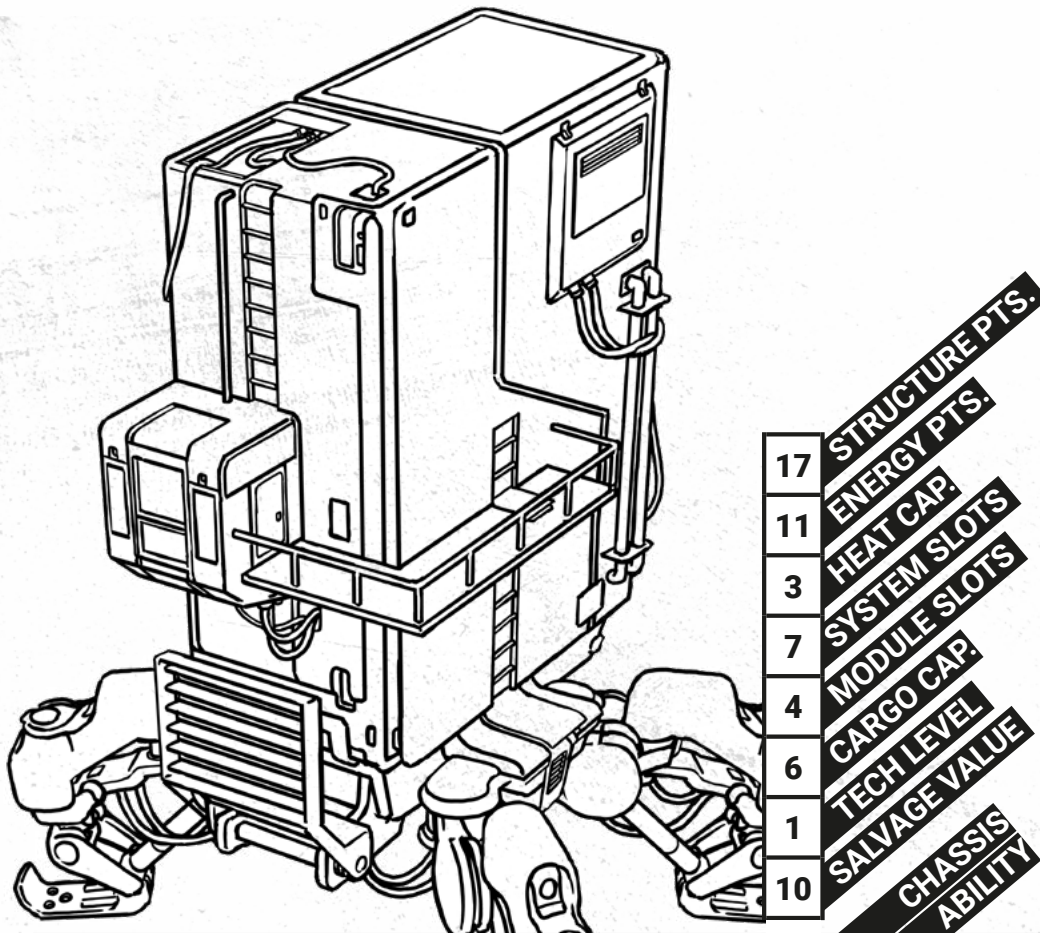


SPECTRUM



Data Scanner: The Spectrum is a mobile data repository that has all manner of information stored within it. It is able to scan objects to both gain information about them and store that data to access at a later time.

2EP

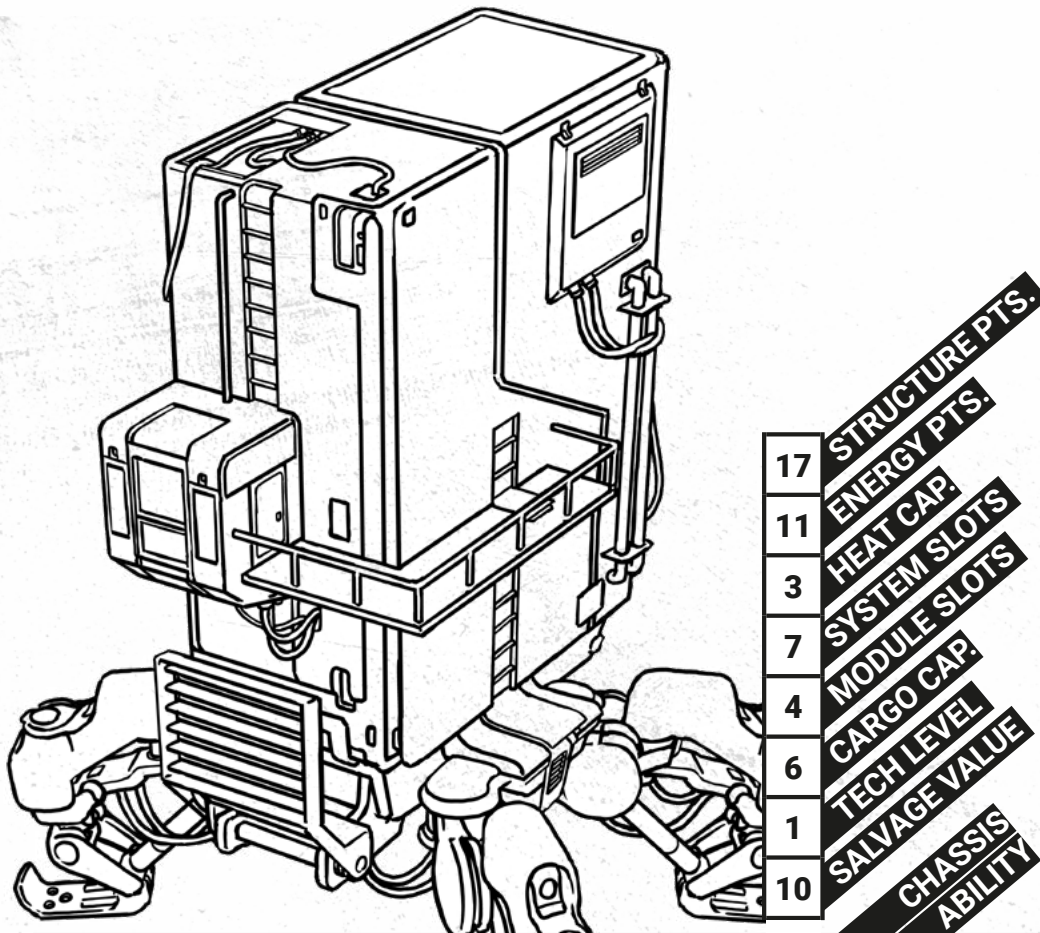
Short Action // Range: Close // Scanner

You scan a single object in Range. This can be a Mech, System, Module, Vehicle, Creature,

artefact, structure, fauna, or flora, or anything else appropriate in the world. You may ask the Mediator two questions about this object and the answers they give must be true.

If you scan an Intact Mech Chassis, System, or Module in the field, you now have its blueprint. You and everyone on your Union Crawler is now able to craft this item even if you would not normally be able to do so.

SPECTRUM



Data Scanner: The Spectrum is a mobile data repository that has all manner of information stored within it. It is able to scan objects to both gain information about them and store that data to access at a later time.

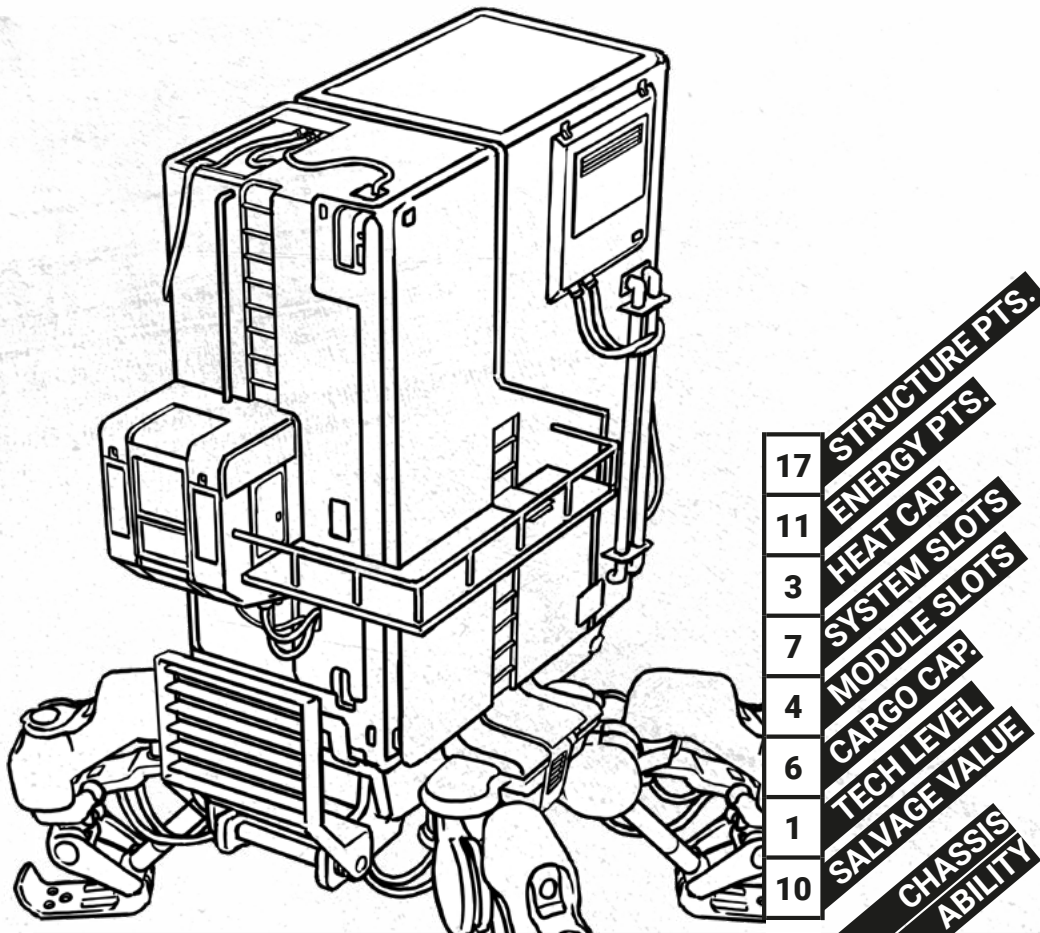
2EP Short Action // Range: Close // Scanner

You scan a single object in Range. This can be a Mech, System, Module, Vehicle, Creature,

artefact, structure, fauna, or flora, or anything else appropriate in the world. You may ask the Mediator two questions about this object and the answers they give must be true.

If you scan an Intact Mech Chassis, System, or Module in the field, you now have its blueprint. You and everyone on your Union Crawler is now able to craft this item even if you would not normally be able to do so.

SPECTRUM



Data Scanner: The Spectrum is a mobile data repository that has all manner of information stored within it. It is able to scan objects to both gain information about them and store that data to access at a later time.

2EP

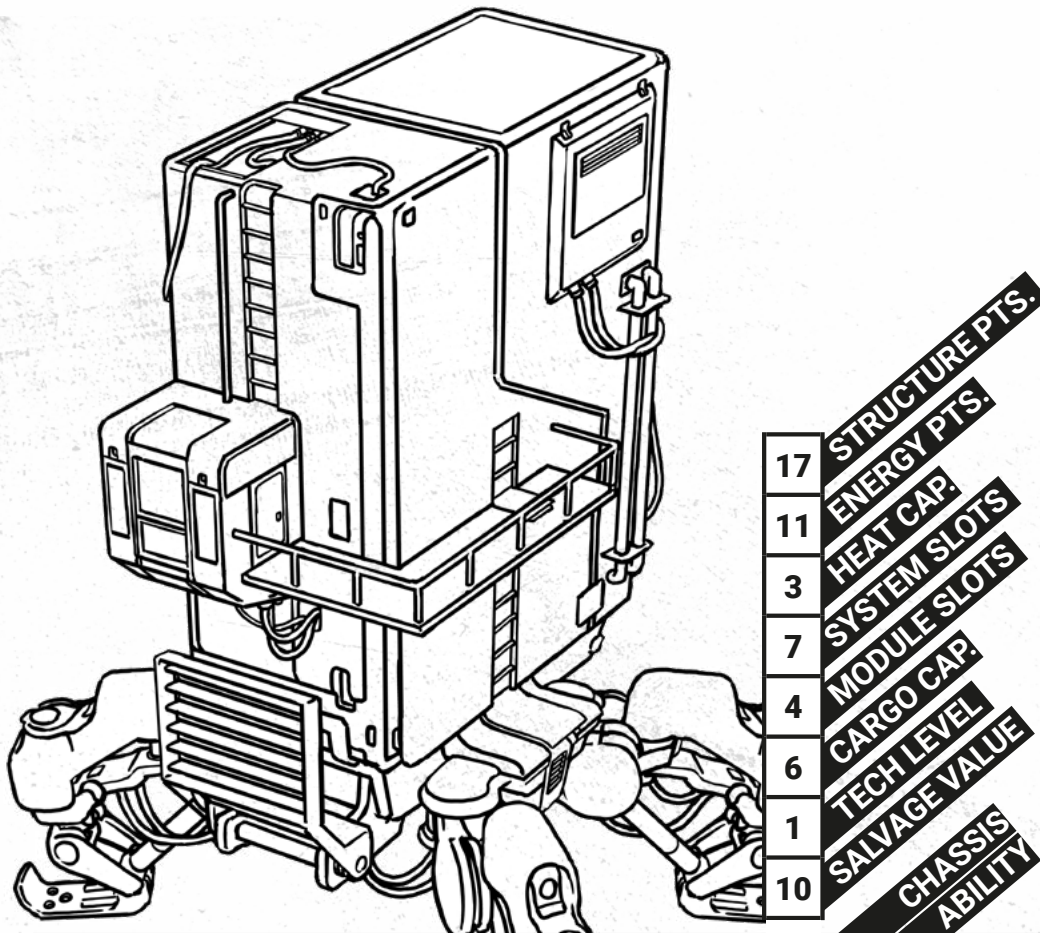
Short Action // Range: Close // Scanner

You scan a single object in Range. This can be a Mech, System, Module, Vehicle, Creature,

artefact, structure, fauna, or flora, or anything else appropriate in the world. You may ask the Mediator two questions about this object and the answers they give must be true.

If you scan an Intact Mech Chassis, System, or Module in the field, you now have its blueprint. You and everyone on your Union Crawler is now able to craft this item even if you would not normally be able to do so.

SPECTRUM



Data Scanner: The Spectrum is a mobile data repository that has all manner of information stored within it. It is able to scan objects to both gain information about them and store that data to access at a later time.

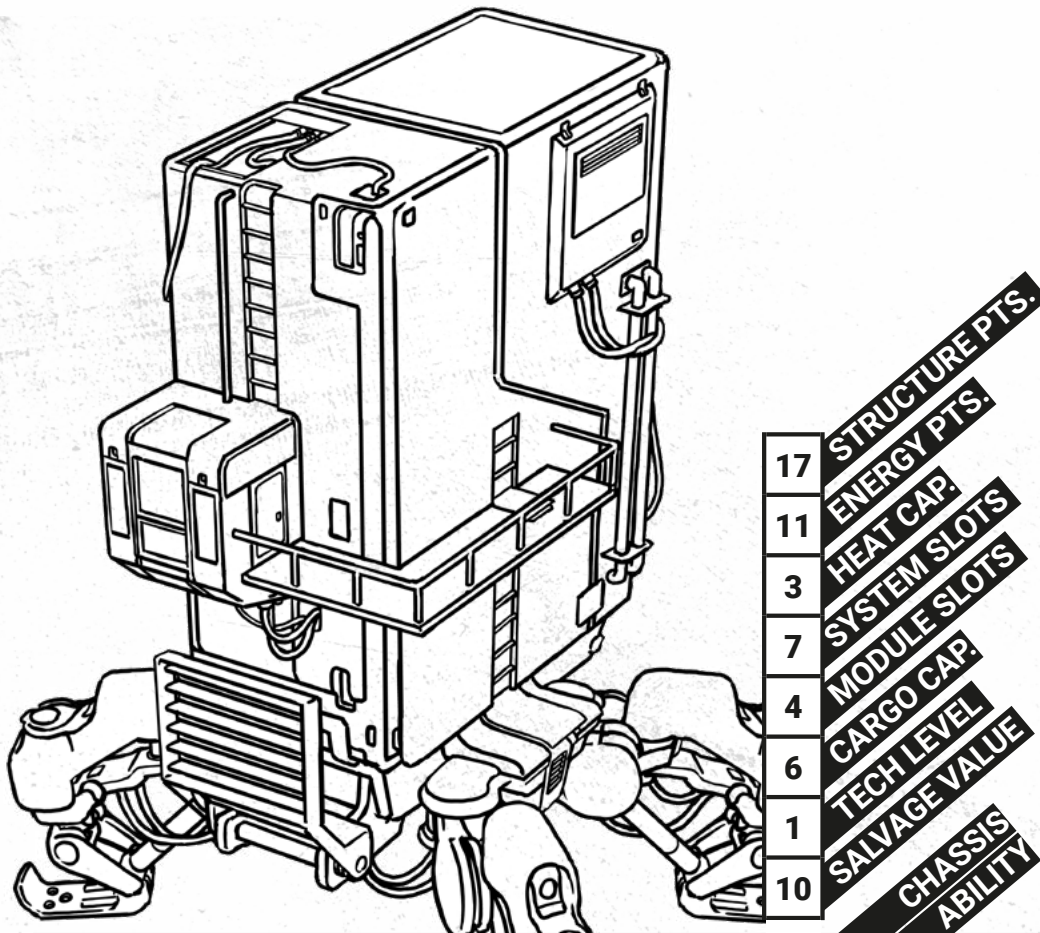
2EP Short Action // Range: Close // Scanner

You scan a single object in Range. This can be a Mech, System, Module, Vehicle, Creature,

artefact, structure, fauna, or flora, or anything else appropriate in the world. You may ask the Mediator two questions about this object and the answers they give must be true.

If you scan an Intact Mech Chassis, System, or Module in the field, you now have its blueprint. You and everyone on your Union Crawler is now able to craft this item even if you would not normally be able to do so.

SPECTRUM



Data Scanner: The Spectrum is a mobile data repository that has all manner of information stored within it. It is able to scan objects to both gain information about them and store that data to access at a later time.

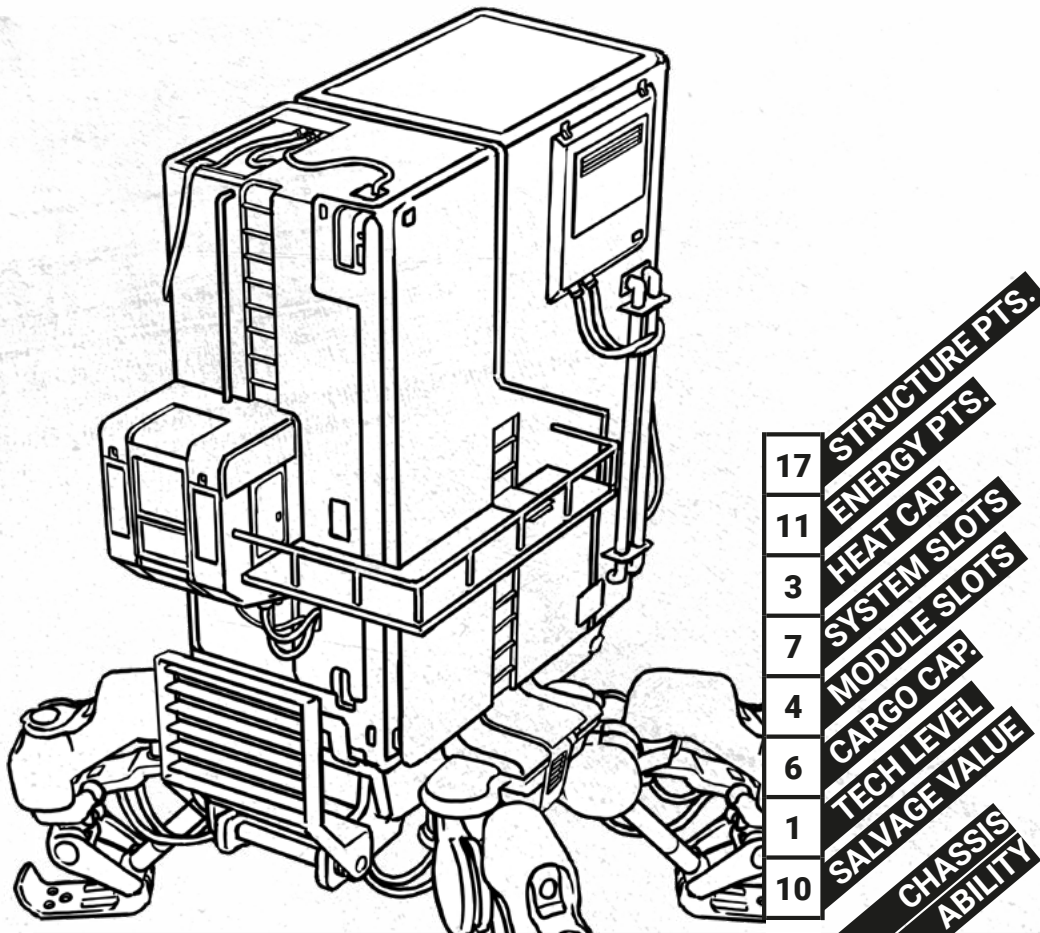
2EP Short Action // Range: Close // Scanner

You scan a single object in Range. This can be a Mech, System, Module, Vehicle, Creature,

artefact, structure, fauna, or flora, or anything else appropriate in the world. You may ask the Mediator two questions about this object and the answers they give must be true.

If you scan an Intact Mech Chassis, System, or Module in the field, you now have its blueprint. You and everyone on your Union Crawler is now able to craft this item even if you would not normally be able to do so.

SPECTRUM



Data Scanner: The Spectrum is a mobile data repository that has all manner of information stored within it. It is able to scan objects to both gain information about them and store that data to access at a later time.

2EP

Short Action // Range: Close // Scanner

You scan a single object in Range. This can be a Mech, System, Module, Vehicle, Creature,

artefact, structure, fauna, or flora, or anything else appropriate in the world. You may ask the Mediator two questions about this object and the answers they give must be true.

If you scan an Intact Mech Chassis, System, or Module in the field, you now have its blueprint. You and everyone on your Union Crawler is now able to craft this item even if you would not normally be able to do so.