

Technical Datasheet No : 100_(v 1)

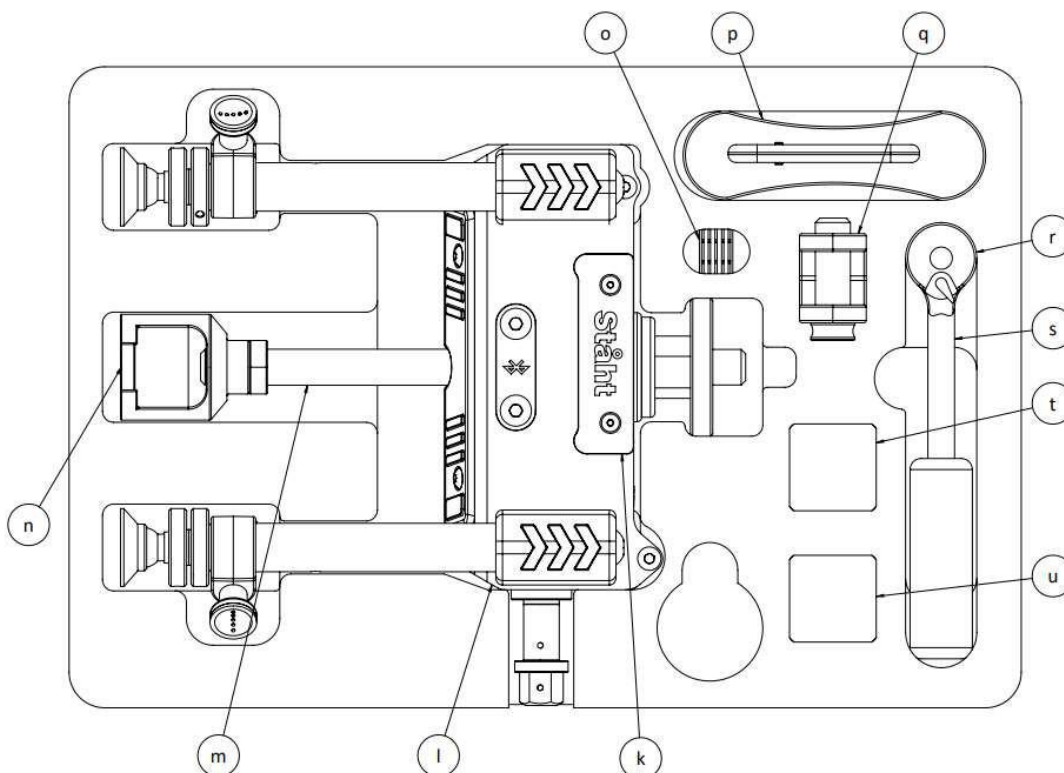
Part Number 600-004

60kN Digital Tensile Tester Kit, c/w Accessories & Heavy-Duty Case



Application – The Staht Tester Kit is designed to test construction safety eye bolts up to a maximum load of 60 kN / 13489 lbf. The kit is supplied in a heavy-duty case.

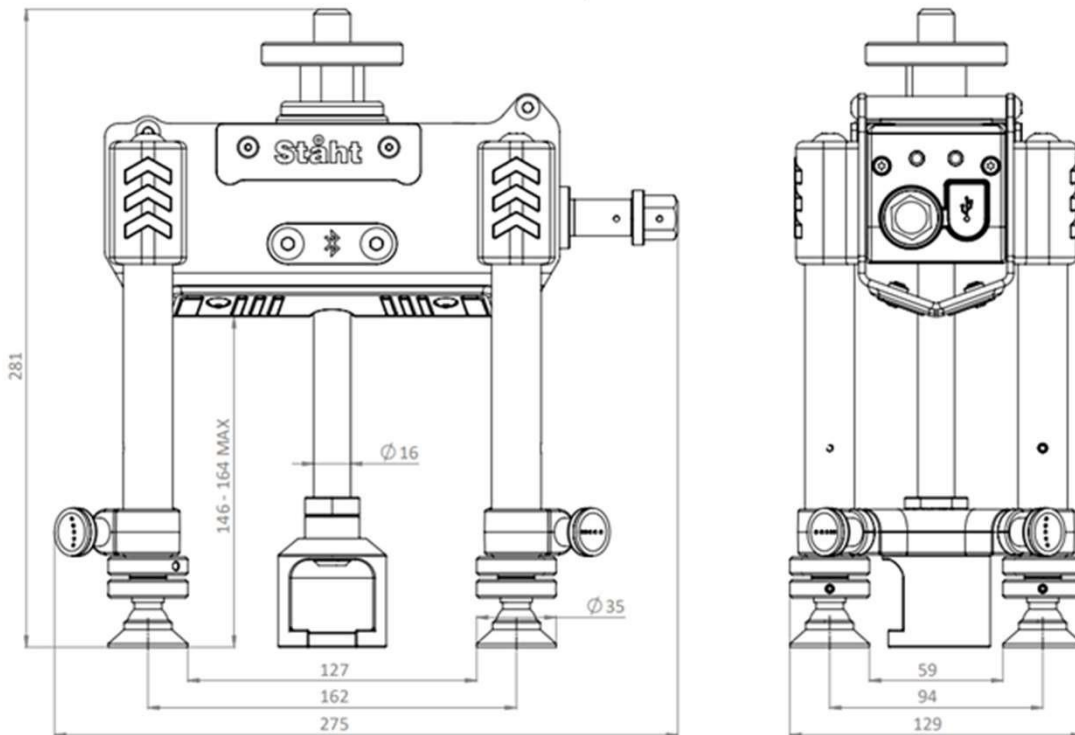
Kit Content: 60kN Digital Load Cell (k) , Bridge (l), Drop Rod & Top Nut (m), Anchor Jaw (n), Clevis (q), USB-C Charge Cable(o), Tool Lanyard for Tester (p), 17mm Socket (r), 3/8” Socket Wrench c/w Wrist Lanyard (s), Threaded Washer Pack M6, 8, 10, 12, 16 & 20 (t), Slotted Washer Pack M6, 8, 10, 12 & 16 (u), 24mm Spanner, Calibration Certificate & User Instructions, Heavy Duty Case & Filler.



Technical Datasheet No : 100^(v 1)

Part Number 600-004

60kN Digital Tensile Tester Kit, c/w Accessories & Heavy-Duty Case



Specification

Operating Load Range	0 – 60 kN / 0 - 13489 lbf
Max Torque @ 60 kN / 13489 lbf	25 Nm / 18.4 ft-lbs
Operating Temperature Range	-20 to 60 °C / -4 to 140°F
Charging Temperature Range	0 to 45 °C / 32 to 113°F
Tester Weight (Tester Only)	4.6 kg / 10.1 lbs
Kit Weight & Dimensions	10.1 kg / 22.2 lbs. 0.465 x 0.350 x 0.175 m / 18.3 x 13.8 x 6.9"
Packaged Weight & Dimensions	10.8 kg / 23.8lbs. 0.5 x 0.385 x 0.21m / 19.6 x 15.15 x 8.27"
Tool Lanyard Length & Capacity	0.9 - 1.65 m ext / 31.5-65"ext. MAX 8 kg / 17.6 lbs
Wrist Lanyard Capacity	0.9 kg / 1.98 lbs
USB-C Braided Charge Cable	1 m / 39". 3 Amp
Connectivity	Ståht Connect App via Bluetooth® LE
Battery	Rechargeable Li-Ion Polymer
Hydraulic Oil	ISO VG 32 Premium Mineral Based Oil
Test Standards	EN 61000-6-3:2007+A1:2011, EN 61000-4-2:2009, EN 61000-4-3+A1:2010 +A2:2010, EN 61000-4-6:2014
Certification	CE, UKCA

Technical Datasheet No : 101_(v.1)

Part Number 600-009

60kN Digital Tensile Tester Kit, c/w Accessories & Kit Bag



Application – The Staht tester is designed to proof load test anchors and safety eye bolts up to a maximum load of 60 kN / 13489 lbf. The kit is supplied in a durable kit bag.

Kit Content: 60kN Digital Load Cell , Bridge, Drop Rod & Top Nut, Anchor Jaw, Clevis, USB-C Charge Cable, Tool Lanyard for Tester, 17mm Socket, 3/8" Socket Wrench c/w Wrist Lanyard, Threaded Washer Pack M6, 8, 10, 12, 16 & 20, Slotted Washer Pack M6, 8, 10, 12 & 16, 24mm Spanner, Calibration Certificate & User Instructions, Padded Bag.

Specification

Operating Load Range	0 – 60 kN / 0 - 13489 lbf
Operating Temperature Range	-20 to 60 °C / -4 to 140°F
Max Torque @ 60 kN	25 Nm / 18.4 ft-lbs
Charging Temperature Range	0 to 45 °C . 32 to 113°F
Tester Weight (Tester Only)	4.6 kg / 10.1 lbs
Kit Weight & Dimensions	8 kg / 17.6 lbs. 0.35 x 0.31 x 0.17 m / 13.8 x 12.2 x 6.69"
Packaged Weight & Dimensions	8.7 kg / 19.1 lbs. 0.5 x 0.385 x 0.21 m / 19.6 x 15.15 x 8.27"
Tool Lanyard Length & Capacity	0.9-1.65 m / 31.5-65". 8kg / 17.6 lbs
Wrist Lanyard Capacity	0.9 kg / 1.98 lbs
USB-C Braided Charge Cable	1 m /39". 3 Amp
Connectivity	Staht Connect App via Bluetooth® LE
Battery	Rechargeable Li-Ion Polymer
Hydraulic Oil	ISO VG 32 Premium Mineral Based Oil
Test Standards	EN 61000-6-3:2007+A1:2011, EN 61000-4-2:2009, EN 61000-4-3+A1:2010 +A2:2010, EN 61000-4-6:2014
Certification	CE, UKCA

Technical Datasheet No : 133^(v 1)

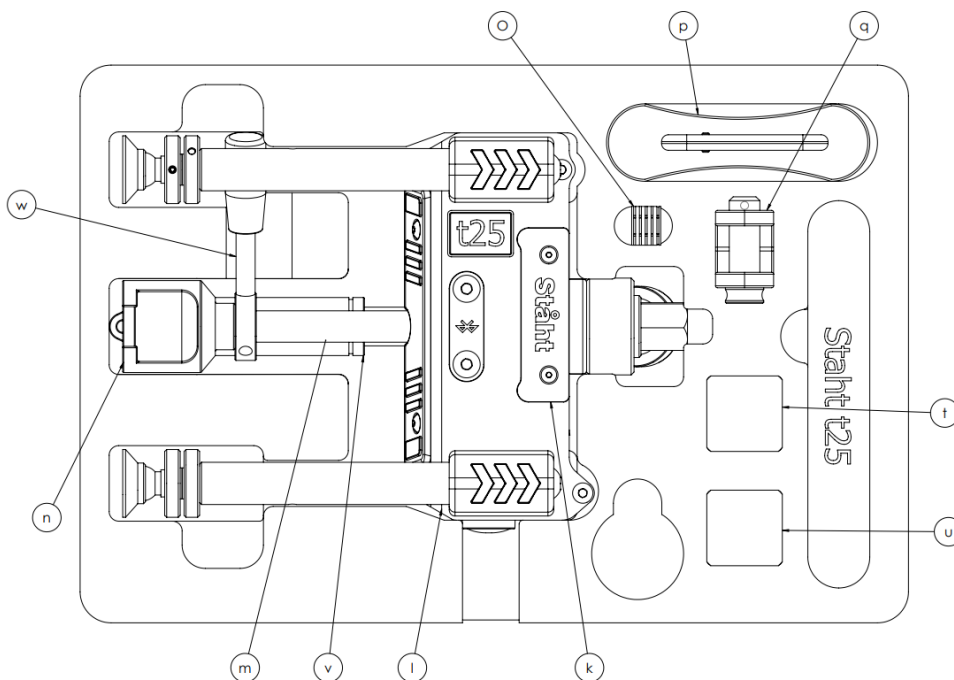
Part Number 600-044

25kN Digital Tensile Tester Kit, c/w Accessories & Heavy-Duty Case



Application – The Staht Tester Kit is designed to load test anchors and safety eye bolts up to a maximum load of 25 kN / 5620 lbf. The kit is supplied in a heavy-duty case.

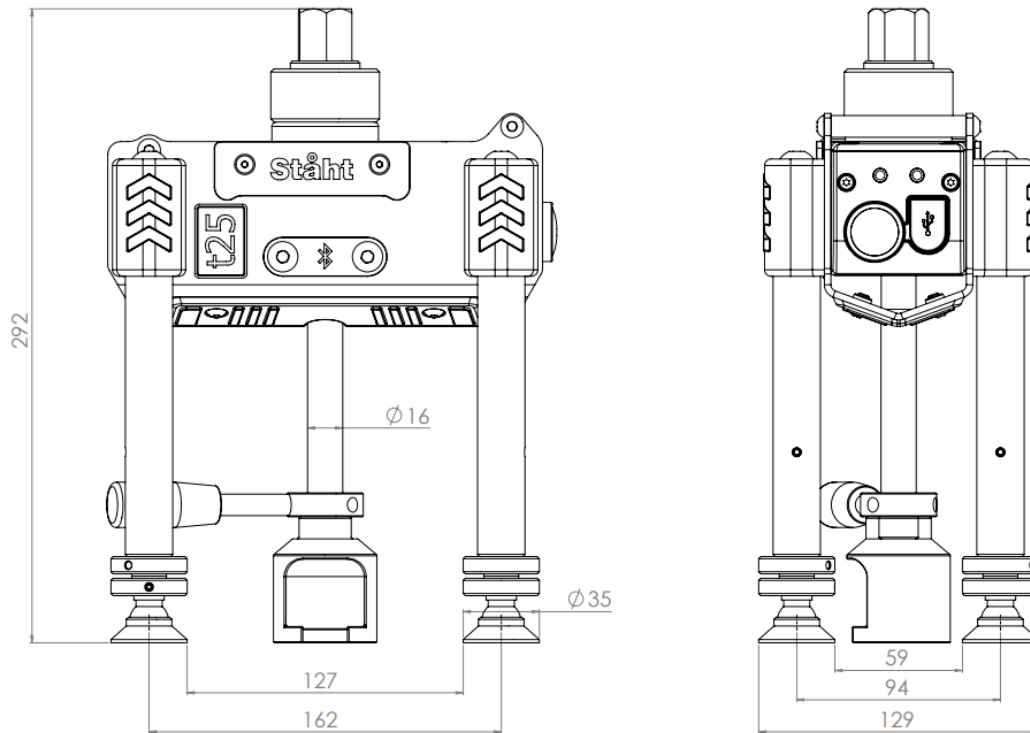
Kit Content: 25kN Digital Load Cell (k) , Bridge (l), M16 Drop Rod & Sealed Thrust Nut (m), Anchor Jaw (n), Clevis (q), USB-C Charge Cable(o), Tool Lanyard for Tester (p), Threaded Washer Pack M6, 8, 10, 12, 16 (t), Slotted Washer Pack M6, 8, 10, 12 & 16 (u), 24mm Reversible Ratchet Spanner c/w Wrist Lanyard (v), Calibration Certificate & User Instructions, Heavy Duty Case & Filler.



Technical Datasheet No : 133^(v 1)

Part Number 600-044

25kN Digital Tensile Tester Kit, c/w Accessories & Heavy-Duty Case



Specification

Operating Load Range	0 – 25 kN / 0 - 5620 lbf
Overload Warning	30kN / 6744 lbf
Operating Temperature Range	-20 to 60 °C / -4 to 140°F
Charging Temperature Range	0 to 45 °C / 32 to 113°F
Tester Weight (Tester Only)	4.1 kg / 9 lbs
Kit Weight & Dimensions	10.1 kg / 22.2 lbs. 0.465 x 0.350 x 0.175 m / 18.3 x 13.8 x 6.9"
Packaged Weight & Dimensions	10.8 kg / 23.8lbs. 0.5 x 0.385 x 0.21m / 19.6 x 15.15 x 8.27"
Tool Lanyard Length & Capacity	0.9 - 1.65 m ext / 31.5-65"ext. MAX 8 kg / 17.6 lbs
Wrist Lanyard Capacity	0.9 kg / 1.98 lbs
USB-C Braided Charge Cable	1 m / 39". 3 Amp
Connectivity	Ståht Connect App via Bluetooth® LE
Battery	Rechargeable Li-Ion Polymer
Hydraulic Oil	ISO VG 32 Premium Mineral Based Oil
Test Standards	EN 61000-6-3:2007+A1:2011, EN 61000-4-2:2009, EN 61000-4-3+A1:2010 +A2:2010, EN 61000-4-6:2014
Certification	CE, UKCA

Technical Datasheet No : 101_(v.1)

Part Number 600-039

25kN Digital Tensile Tester Kit, c/w Accessories & Kit Bag



Application – The Staht tester is designed to test anchors and safety eye bolts up to a maximum load of 25 kN / 5620 lbf. The kit is supplied in a durable kit bag.

Kit Content: 60kN Digital Load Cell , Bridge, M16 Drop Rod & Sealed Thrust Nut , Anchor Jaw, Clevis, USB-C Charge Cable, Tool Lanyard for Tester,), 24mm Reversible Ratchet Spanner c/w Wrist Lanyard, Threaded Washer Pack M6, 8, 10, 12 & 16, Slotted Washer Pack M6, 8, 10, 12 & 16, Calibration Certificate & User Instructions, Padded Bag.

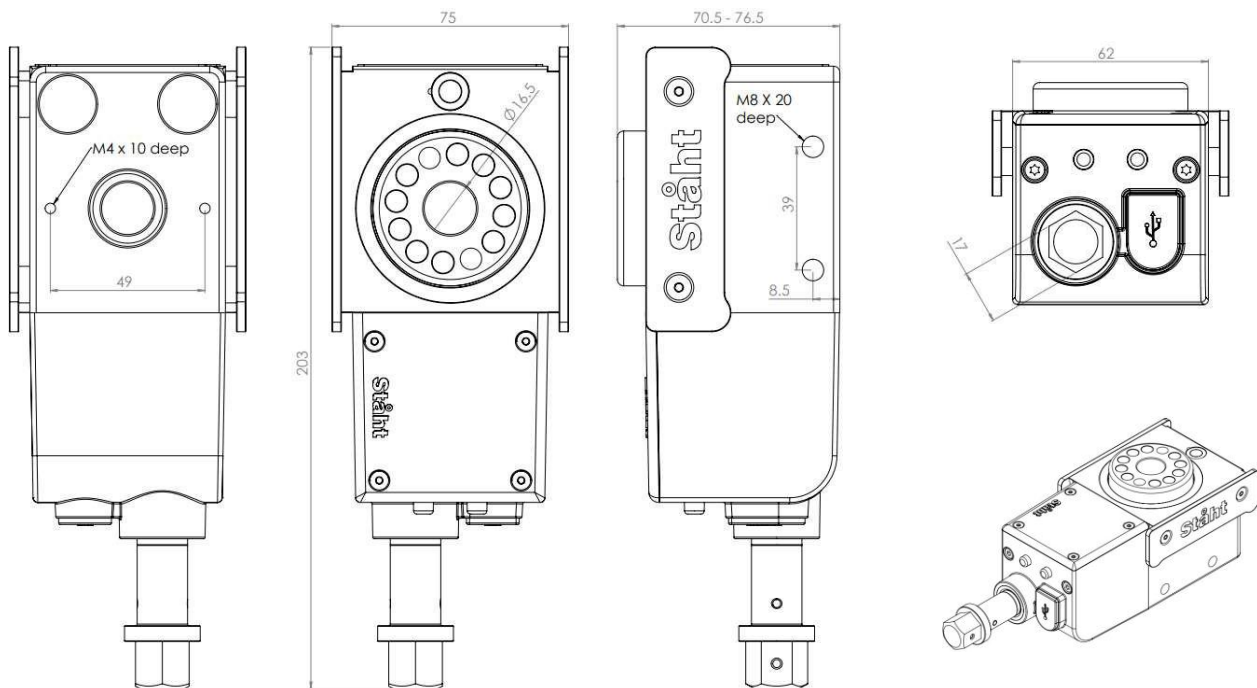
Specification

Operating Load Range	0 – 60 kN / 0 - 13489 lbf
Operating Temperature Range	-20 to 60 °C / -4 to 140°F
Overload Warning	30kN / 6744 lbf
Charging Temperature Range	0 to 45 °C . 32 to 113°F
Tester Weight	4.4 kg / 9.7 lbs
Kit Weight & Dimensions	8 kg / 17.6 lbs. 0.35 x 0.31 x 0.17 m / 13.8 x 12.2 x 6.69"
Packaged Weight & Dimensions	8.7 kg / 19.1 lbs. 0.5 x 0.385 x 0.21 m / 19.6 x 15.15 x 8.27"
Tool Lanyard Length & Capacity	0.9-1.65 m / 31.5-65". 8kg / 17.6 lbs
Wrist Lanyard Capacity	0.9 kg / 1.98 lbs
USB-C Braided Charge Cable	1 m /39". 3 Amp
Connectivity	Staht Connect App via Bluetooth® LE
Battery	Rechargeable Li-Ion Polymer
Hydraulic Oil	ISO VG 32 Premium Mineral Based Oil
Test Standards	EN 61000-6-3:2007+A1:2011, EN 61000-4-2:2009, EN 61000-4-3+A1:2010 +A2:2010, EN 61000-4-6:2014
Certification	CE, UKCA

Technical Datasheet No : 102^(v1)

Part Number 601-015

60kN Digital Tensile Tester Load Cell



Application – The Load Cell is designed to proof load test anchors and safety eye bolts up to a maximum load of 60 kN / 13489 lbf. For use with a Staht Bridge or to fix onto your own bridge design*.

*Bridge designs and applications for this product not designed and approved by Staht are done so at the risk of the designer and user.

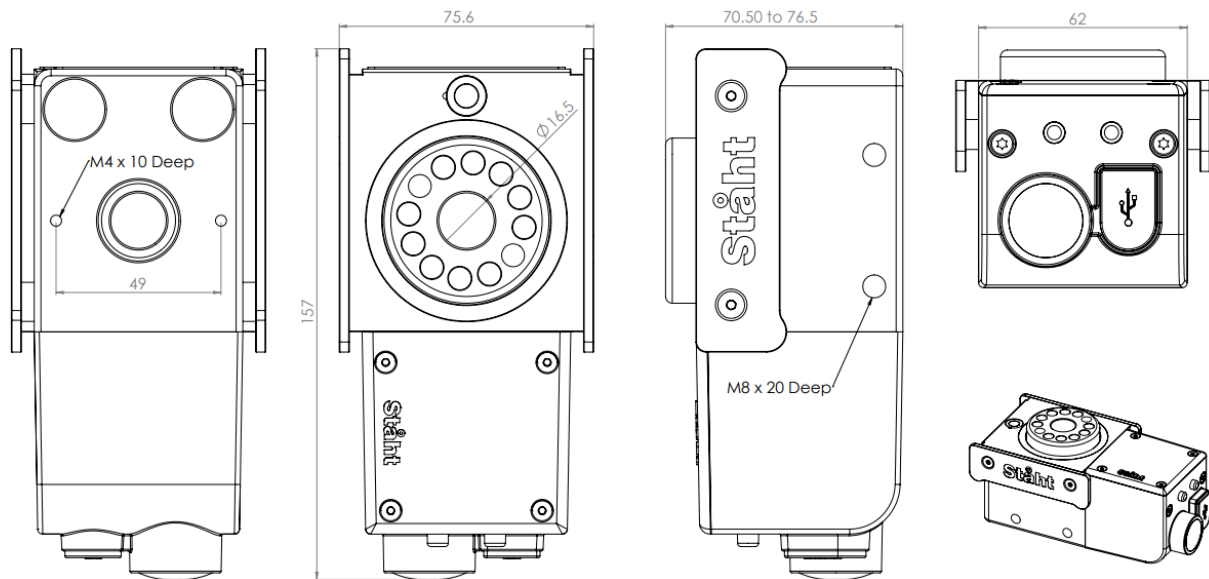
Specification

Operating Load Range	0 – 60 kN / 0 - 13489 lbf
Operating Temperature Range	-20 to 60 °C / -4 to 140°F
Max Torque @ 60kN	25Nm / 18.4 ft-lbs
Charging Temperature Range	0 to 45 °C / 32 to 113°F
Load Cell Weight	1.5 kg / 3.3lbs
Packaged Weight & Dimensions	1.8kg / 4 lbs. 0.25 x 0.14 x 0.14 m / 9.8 x 5.5 x 5.5"
USB-C Braided Charge Cable	1m / 39", 3 Amp (not included)
Connectivity	Staht Connect App via Bluetooth® LE
Battery	Rechargeable Li-Ion Polymer
Hydraulic Oil	ISO VG 32 Premium Mineral Based Oil
Test Standards	EN 61000-6-3:2007+A1:2011, EN 61000-4-2:2009, EN 61000-4-3+A1:2010 +A2:2010, EN 61000-4-6:2014
Certification	CE, UKCA

Technical Datasheet No : 134^(v1)

Part Number 601-031

25kN Digital Tensile Tester Load Cell



Application – The Load Cell is designed to test anchors and safety eye bolts up to a maximum load of 25 kN / 5620 lbf. For use with a Staht Bridge or to fix onto your own bridge design*.

*Bridge designs and applications for this product not designed and approved by Staht are done so at the risk of the designer and user.

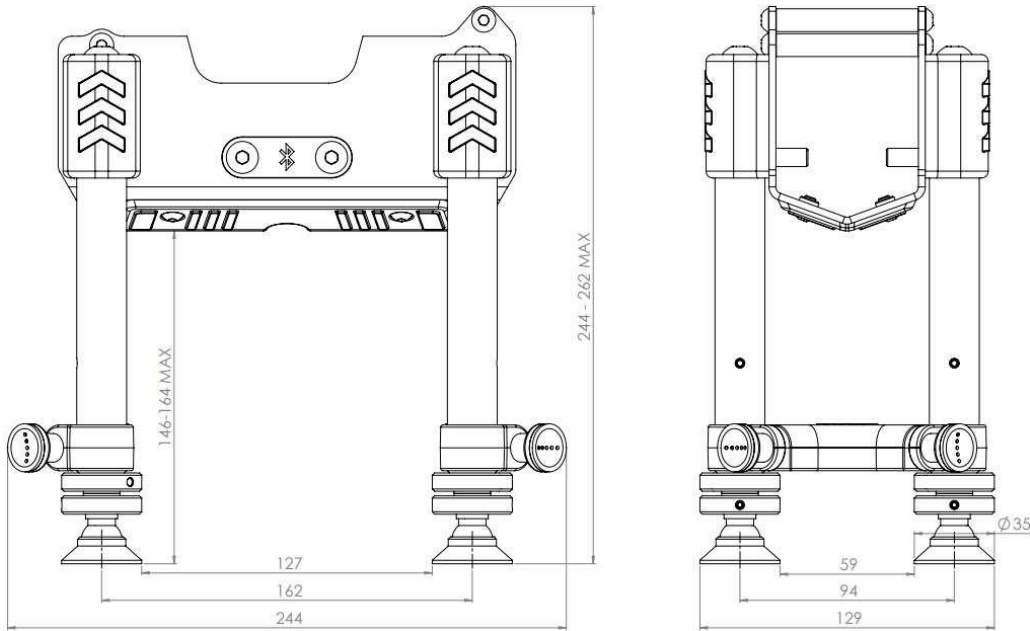
Specification

Operating Load Range	0 – 25 kN / 0 - 5620 lbf
Operating Temperature Range	-20 to 60 °C / -4 to 140°F
Overload Warning	30kN / 6744 lbf
Charging Temperature Range	0 to 45 °C / 32 to 113°F
Load Cell Weight	1.39 kg / 3 lbs
Packaged Weight & Dimensions	1.8kg / 4 lbs. 0.25 x 0.14 x 0.14 m / 9.8 x 5.5 x 5.5"
USB-C Braided Charge Cable	1m / 39", 3 Amp (not included)
Connectivity	Staht Connect App via Bluetooth® LE
Battery	Rechargeable Li-Ion Polymer
Hydraulic Oil	ISO VG 32 Premium Mineral Based Oil
Test Standards	EN 61000-6-3:2007+A1:2011, EN 61000-4-2:2009, EN 61000-4-3+A1:2010 +A2:2010, EN 61000-4-6:2014
Certification	CE, UKCA

Technical Datasheet No : 103_(v1)

Part Number 601-023

Bridge 60kN / 13489 lbf



Application – The bridge is designed to work with the Staht Load Cell (601-015) to proof load test anchors and safety eye bolts up to a maximum load of 60 kN / 13489 lbf. The bridge is supplied with 4 x M8 fixings to fix the load cell.

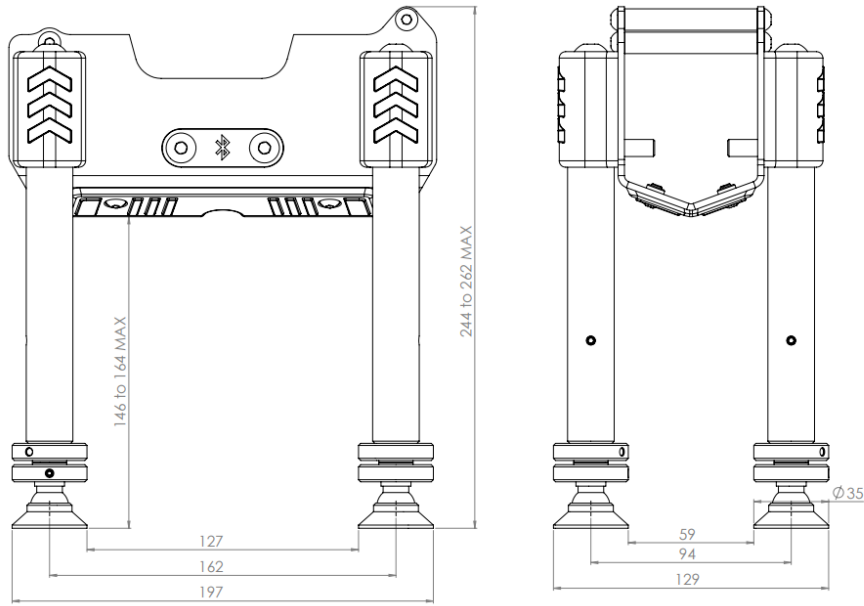
Specification

Operating Load Range	0 – 60 kN / 0 - 13489 lbf
Weight	2.8 kg / 6.17 lbs
Dimensions	0.13 x 0.24 x 0.24m / 5.1 x 9.44 x 9.44"
Packaged Weight	3.1 kg / 4.4lbs
Packaged Dimensions	0.34 x 0.32 x 0.18m / 7.87 x 12.5 x 7"
Material	Steel / Aluminium / Rubber / Plastic
Finish	Powder Coat / Anodized / Natural / Natural

Technical Datasheet No : 135_(v1)

Part Number 601-032

Bridge 25kN / 5620lbf



Application – The bridge is designed to work with the Staht Load Cell (601-031) to test anchors and safety eye bolts up to a maximum load of 25 kN /5620 lbf. The bridge is supplied with 4 x M8 fixings to fix the load cell.

Specification

Operating Load Range	0 – 25 kN / 0 - 5620 lbf
Weight	2.72 kg / 6 lbs
Dimensions	0.13 x 0.24 x 0.24m / 5.1 x 9.44 x 9.44"
Packaged Weight	3.1 kg / 4.4lbs
Packaged Dimensions	0.34 x 0.32 x 0.18m / 7.87 x 12.5 x 7"
Material	Steel / Aluminium / Rubber
Finish	Powder Coat / Anodized / Natural

Technical Datasheet No : 104_(v1)

Part Number 600-005 (60kN) or 600-051 (25kN)

Heavy Duty Carry Case c/w Foam Insert

The logo for Ståht, featuring the brand name in white text on a dark green square background.

Application – The case is IP67 certified, tough and durable. It is provided with a high density foam insert to protect the Staht tester and accessories.

Specification

Dimensions	0.46 x 0.36 x 0.17m / 18 x 14.2 x 6.7"
Weight	2.8 kg / 6.17 lbs
Packaged Weight	3.1 kg / 4.4lbs
Packaged Dimensions	0.5 x 0.385 x 0.21m / 19.6 x 15.15 x 8.27"
Material(s)	High Density Plastic

Technical Datasheet No : 105^(v1)

Part Number 600-017

Staht Padded Kit Bag



Application – The bag is a durable lightweight option for carrying the tester and accessories to the job site. It features a carry handle, shoulder strap and two internal compartments for storage of the tester and accessories. An internal mesh draw string bag is also included to keep the accessories together.

Specification

Dimensions	0.36 x 0.32 x 0.2m / 14.2 x 12.6 x 7.9"
Weight	1.2 kg
Packaged Weight	1.9 kg / 4.2lbs
Packaged Dimensions	0.5 x 0.385 x 0.21m / 19.6 x 15.15 x 8.27"
Material	PVC
Finish	Natural

Technical Datasheet No : 106_(v1)

Part Number 600-006

60 kN Threaded Washer Pack



Application –For use with the tool adaptor jaw when testing metric threaded anchors or studs. Threaded washers included are M6, M8, M10, M12, M16 & M20.

Note: For the Combined Imperial Threaded Washer & Slotted Washer Pack order 600-026

Threaded Washers Included are ¼", 5/16", 3/8", ½", 5/8", 3/8" & Slotted Washers ¼", 5/16", 3/8", ½" & 5/8" .

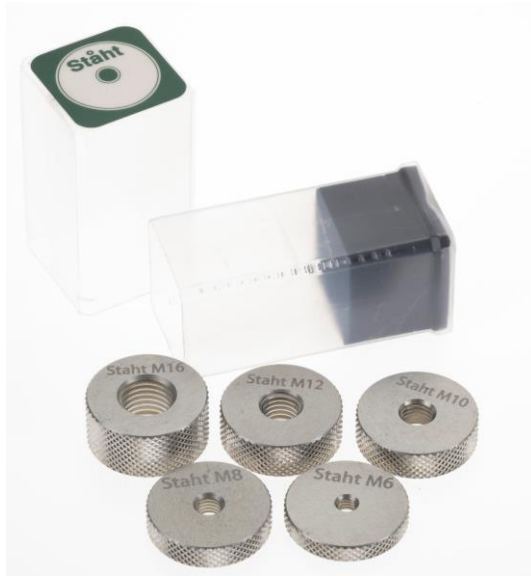
Specification

Weight	0.47 kg / 1 lbs
Dimensions	0.04 x 0.04 x 0.09 m / 1.6 x 1.6 x 3.5"
Material	Steel / Plastic Box
Finish	Zinc / Natural

Technical Datasheet No : 106_(v1)

Part Number 600-043

25 kN Threaded Washer Pack



Application –For use with the tool adaptor jaw when testing metric threaded anchors or studs. Threaded washers included are M6, M8, M10, M12 & M16

Note: For the Combined Imperial Threaded Washer & Slotted Washer Pack order 600-026.

Threaded Washers Included are ¼", 5/16", 3/8", ½", 5/8", 3/8" & Slotted Washers ¼", 5/16", 3/8", ½" & 5/8" .

Specification

Weight	0.47 kg / 1 lbs
Dimensions	0.04 x 0.04 x 0.09 m / 1.6 x 1.6 x 3.5"
Material	Steel / Plastic Box
Finish	Zinc / Natural

Technical Datasheet No : 107_(v1)

Part Number 600-007

25 / 60kN Slotted Washer Pack



Application –For use with the tool adaptor jaw when testing headed bolts. Slotted washers included are M6, 8, 10, 12 & 16.

Note: For the Combined Imperial Threaded Washer & Slotted Washer Pack order 600-026.

Threaded Washers Included are ¼", 5/16", 3/8", ½", 5/8", 3/8" & Slotted Washers ¼", 5/16", 3/8", ½" & 5/8" .

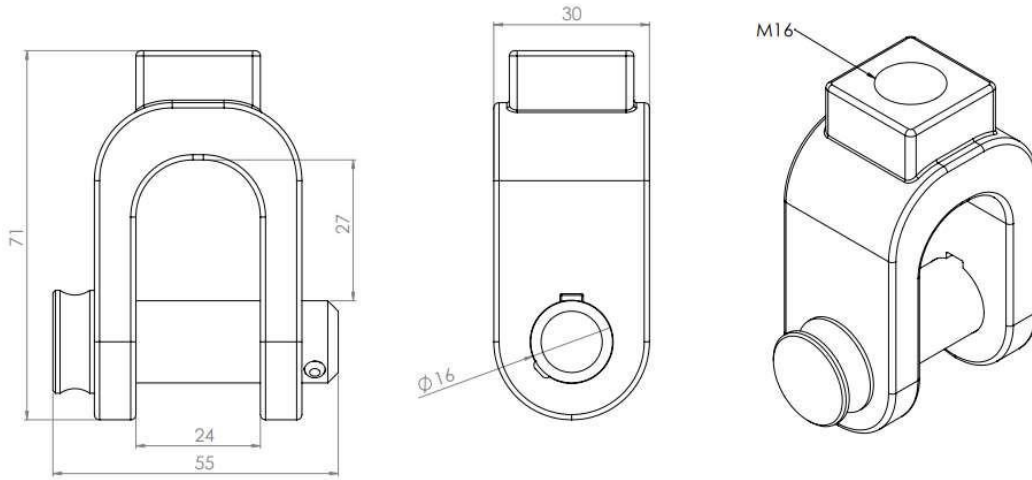
Specification

Weight	0.18 kg / 0.4 lbs
Dimensions	0.04 x 0.04 x 0.06 m / 1.6 x 1.6 x 2.4"
Material	Steel / Plastic Box
Finish	Zinc / Natural

Technical Datasheet No : 108_(v1)

Part Number 601-010

Clevis



Application – For testing safety eye bolts, lifting eyes and load bearing connections. Connects to the Drop Rod & Nut (Part No 600-008)

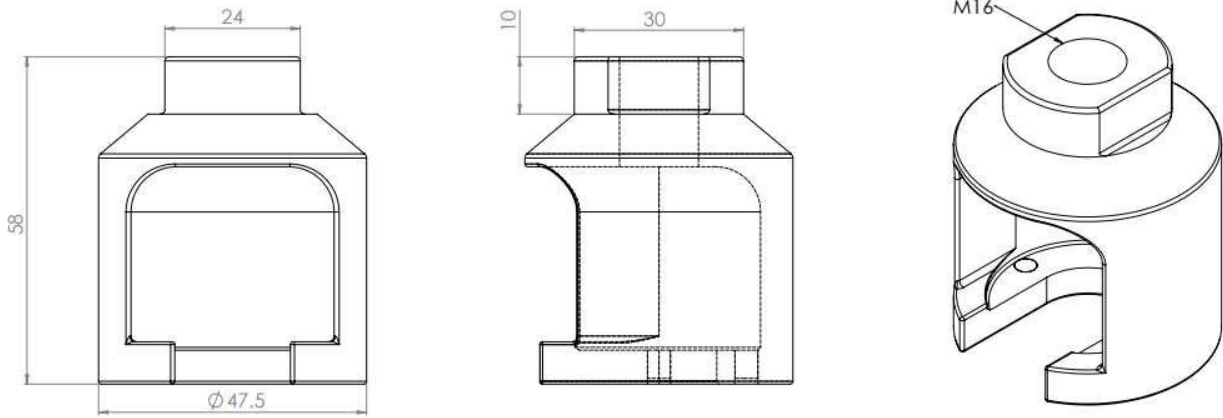
Specification

Max Operating Range	0 – 60 kN / 0 - 13489 lbf
Weight	0.34 kg / 0.75 lbs
Material	Stainless steel / Steel
Finish	Natural / Zinc

Technical Datasheet No : 109_(v1)

Part Number 601-022

Tool Adaptor Jaw



Application – The Tool Adaptor Jaw is used in conjunction with threaded and slotted washers to test anchors, bolts and studs. The Jaw is magnetic to hold the washers in position whilst testing.

Specification

Max Operating Range	0 – 60 kN / 0 - 13489 lbf
Weight	0.3 kg / 0.66 lbs
Material	Stainless steel
Finish	Natural

Technical Datasheet No : 110_(v1)

Part Number 102-036

M6 Threaded Washer



Application –For use with the Tool Adaptor Jaw when testing threaded anchors or studs.

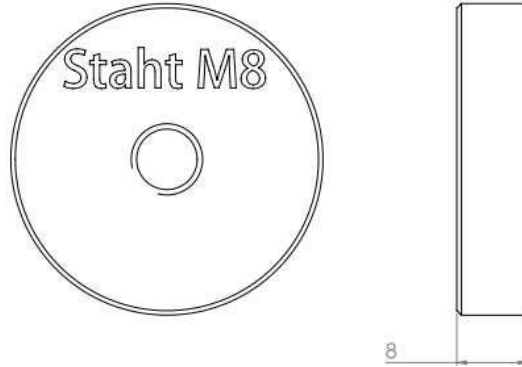
Specification

Weight	0.042 kg / 0.092 lbs
Material	Steel
Finish	Zinc

Technical Datasheet No : 111_(v1)

Part Number 102-037

M8 Threaded Washer



Application –For use with the Tool Adaptor Jaw when testing threaded anchors or studs.

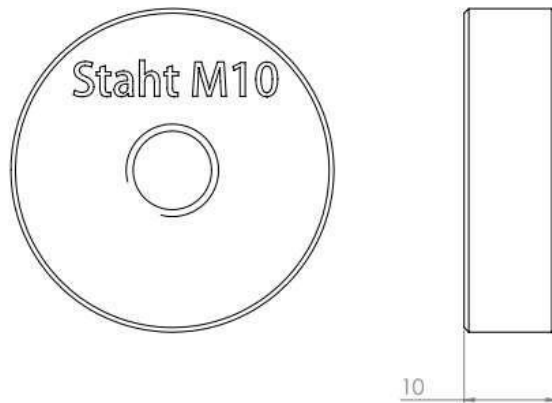
Specification

Weight	0.056 kg / 0.123 lbs
Material	Steel
Finish	Zinc

Technical Datasheet No : 112_(v1)

Part Number 102-038

M10 Threaded Washer



Application –For use with the Tool Adaptor Jaw when testing threaded anchors or studs.

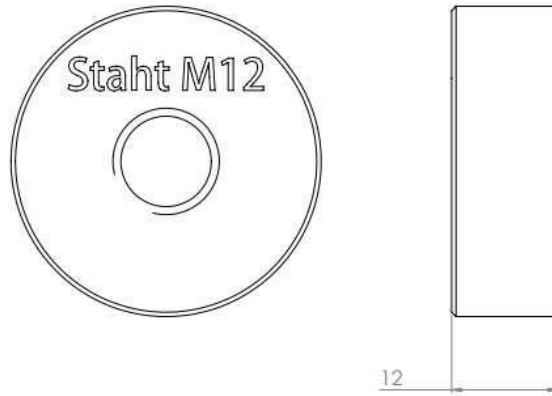
Specification

Weight	0.069 kg / 0.152 lbs
Material	Steel
Finish	Zinc

Technical Datasheet No : 113_(v1)

Part Number 102-039

M12 Threaded Washer



Application –For use with the Tool Adaptor Jaw when testing threaded anchors or studs.

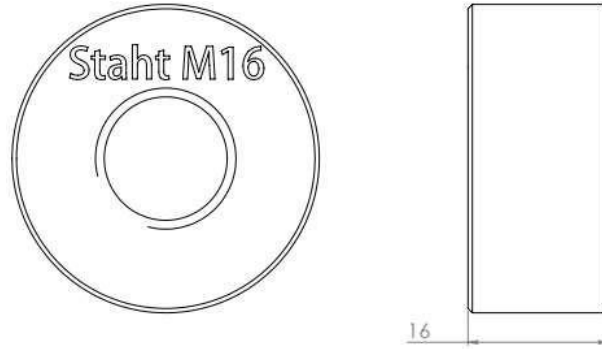
Specification

Weight	0.079 kg / 0.174 lbs
Material	Steel
Finish	Zinc

Technical Datasheet No : 114_(v1)

Part Number 102-040

M16 Threaded Washer



Application –For use with the Tool Adaptor Jaw when testing threaded anchors or studs.

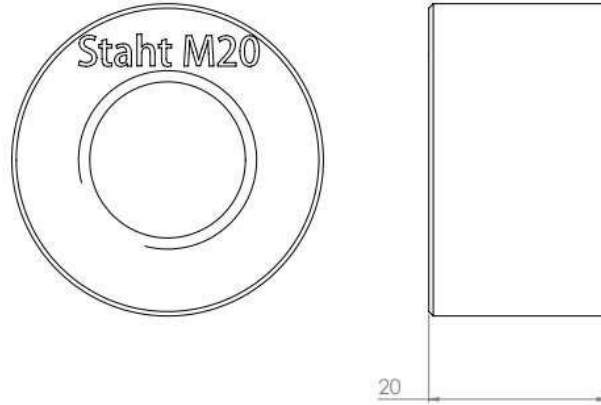
Specification

Weight	0.095 kg / 0.209 lbs
Material	Steel
Finish	Zinc

Technical Datasheet No : 115_(v1)

Part Number 102-041

M20 Threaded Washer



Application –For use with the Tool Adaptor Jaw when testing threaded anchors or studs.

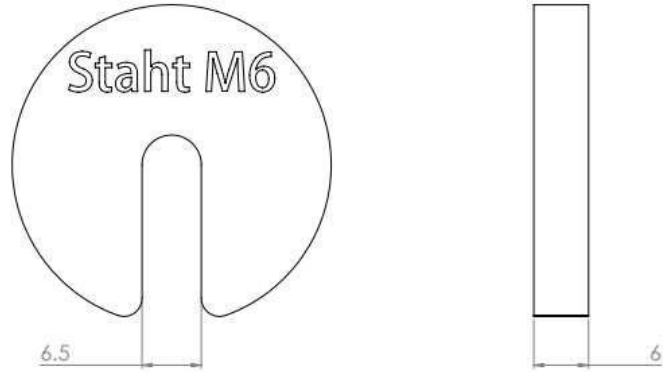
Specification

Weight	0.104 kg / 0.229 lbs
Material	Steel
Finish	Zinc

Technical Datasheet No : 116_(v1)

Part Number 102-059

M6 Slotted Washer



Application –For use with the Tool Adaptor Jaw when testing headed bolts.

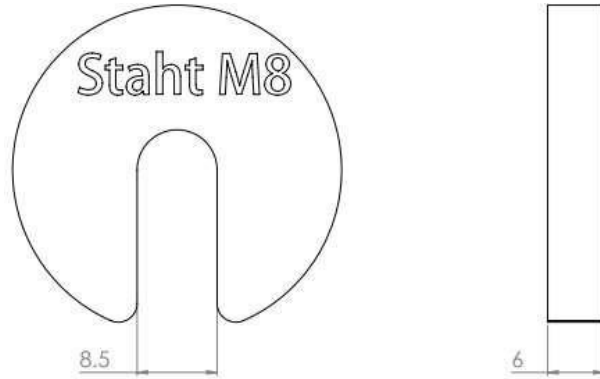
Specification

Weight	0.038 kg / 0.084 lbs
Material	Steel
Finish	Zinc

Technical Datasheet No : 117_(v1)

Part Number 102-060

M8 Slotted Washer



Application –For use with the Tool Adaptor Jaw when testing headed bolts.

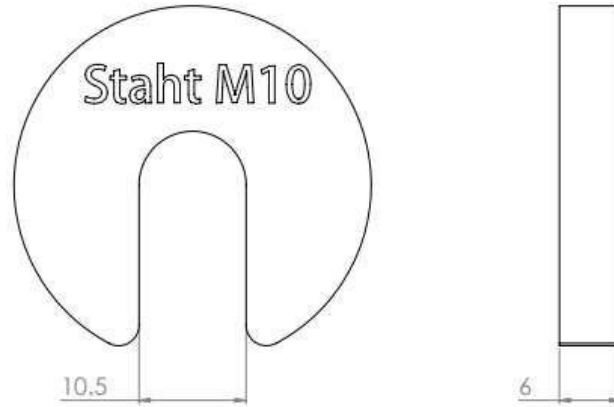
Specification

Weight	0.036 kg / 0.079 lbs
Material	Steel
Finish	Zinc

Technical Datasheet No : 118_(v1)

Part Number 102-061

M10 Slotted Washer



Application –For use with the Tool Adaptor Jaw when testing headed bolts.

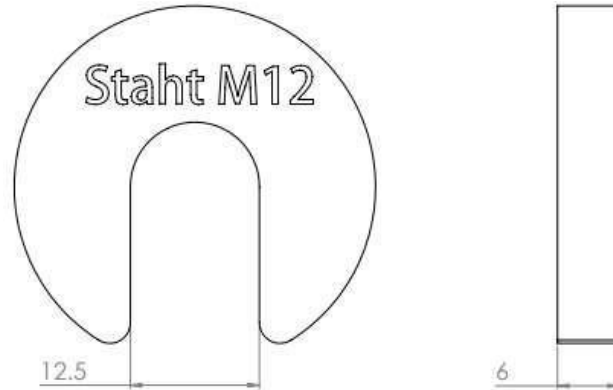
Specification

Weight	0.034 kg / 0.075 lbs
Material	Steel
Finish	Zinc

Technical Datasheet No : 119_(v1)

Part Number 102-062

M12 Slotted Washer



Application –For use with the Tool Adaptor Jaw when testing headed bolts.

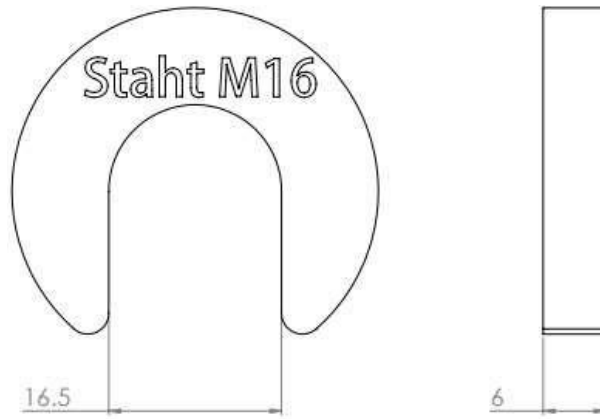
Specification

Weight	0.029 kg / 0.064 lbs
Material	Steel
Finish	Zinc

Technical Datasheet No : 120_(v1)

Part Number 102-063

M16 Slotted Washer



Application –For use with the Tool Adaptor Jaw when testing headed bolts.

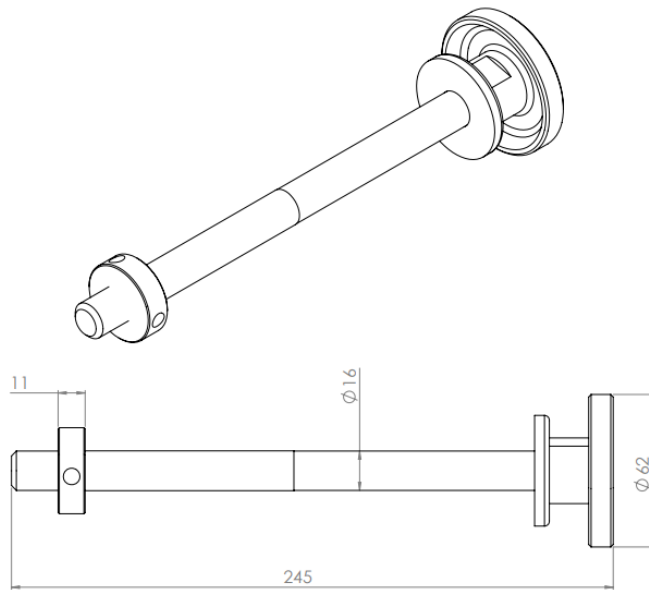
Specification

Weight	0.026 kg / 0.057 lbs
Material	Steel
Finish	Zinc

Technical Datasheet No : 121_(v1)

Part Number 600-008

Drop Rod & Nut



Application – For use with the 60kN Digital Tensile Tester.

Specification

Weight	0.604 kg / 1.33 lbs
Material	Steel
Finish	Zinc

Technical Datasheet No : 137^(v1)

Part Number 600-045 or 600-046 (including Anti- Rotation Handle)

M16 Sealed Thrust Nut & Drop Rod (Metric Fine)



Application – For use with the 25 or 60kN Staht Digital Tensile Tester.

Note - Order 600-046 for the kit above including the Anti Rotation Handle.

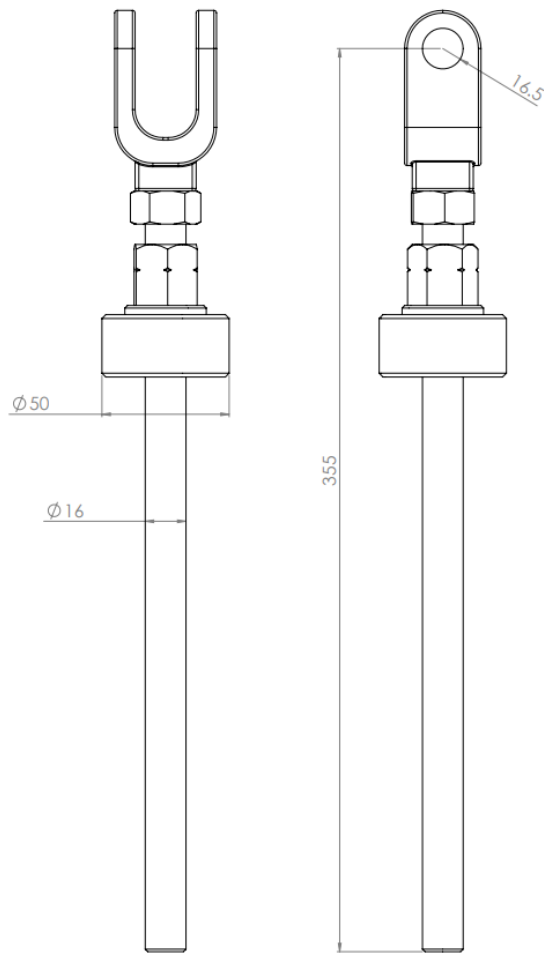
Specification

Weight	0.82 kg / 1.8 lbs
Material	Steel / Aluminium
Finish	Zinc Plated/ Anodised

Technical Datasheet No : 124_(v1)

Part Number 600-048

Davit Testing Adaptor Kit (M16 Sealed Thrust Nut, M16 Coarse Drop Rod & Clevis)



Application – For use with the Staht Digital Tensile Tester when performing Davit testing.

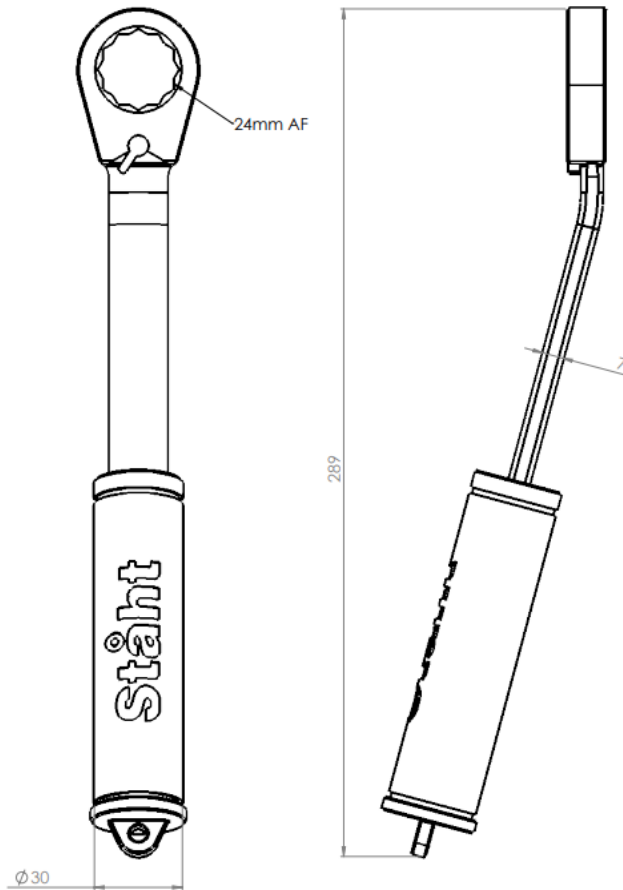
Specification

Weight	0.82 kg / 1.8 lbs
Material	Steel / Aluminium
Finish	Zinc Plated/ Anodised

Technical Datasheet No : 127_(v1)

Part Number 601-037

24mm Reversible Ring Spanner c/w Comfort Handle



Application – For use with the Staht Digital Tensile Tester to apply load via the Top Nut.

Specification

Weight	0.4 kg / 0.88 lbs
Material	Steel / Rubber
Finish	Chrome Plate / Natural

Technical Datasheet No : 122_(v1)

Part Number 102-095

Ratchet 3/8" Drive



Application – For use with the 60kN Digital Tensile Tester.

Specification

Weight	0.282 kg / 1.33 lbs
Material	Steel / Rubber
Dimensions	180mm Long, 3/8" Drive
Finish	Chrome / Natural