

PURE LINE 400



User's Manual / Manual de Usuario / Guide d'Utilisation

Please visit our website for the latest information on this product.
Visite nuestro sitio web para obtener la información más reciente sobre este producto.
Veuillez visiter notre site Internet pour obtenir les dernières informations sur ce produit.

INTRODUCTION

Thank you for purchasing the Wagan Tech® Pure Line 400 Pure Sine Wave DC to AC Power Inverter. Read and understand this manual before installing and operating this inverter. Keep this manual for future use.

It delivers a true AC sine wave identical to that of commercial power. Use this inverter to power AC appliances in your vehicle. Pure Sine Wave AC means that your sensitive electronics, such as audio/video systems, computers, and communications equipment will operate properly. Furthermore, appliances with motors operate cooler, quieter, and more efficiently when they are powered by pure sine wave AC.

The inverter is powered from 12 volt DC and it will continuously deliver 400 watts AC power at 115 volts, 60 Hz. Superior surge capability of 800 watts allows the inverter to start most difficult motorized appliances. Advanced microprocessor-controlled circuits run cooler and are more reliable than competing units. The Pure Line 400 operates at high efficiency (up to 90%), that results in long run time and extended battery life compared to other inverters with this level of power output. A 2.1A USB power port provides a convenient way to power USB devices, including tablets, e-readers, smartphones, and other mobile electronics.

The Pure Line 400 comes with a separate ground terminal typically found on higher capacity units. This terminal helps to reduce the noise caused by power conversion when using radio frequency devices.

The DC terminals have been designed with protective covers to minimize the risk of accidental shortage when handling the DC cables. This inverter bonds neutral to ground, just like utility power. The enclosure vents have been minimized to reduce the risk of pest intrusion in arid tropical climates.

This inverter has added safety features including ETL certification (UL458, CSA 22.2), conformal coating to protect circuits from dust and moisture, ground fault protection, and DC terminal protection.

The Wagan Pure Line 400 Pure Sine Wave Inverter is an indispensable addition to your compliment of mobile power equipment. With minimal care and proper treatment, it will provide years of reliable service.



SPECIFICATIONS

| | |
|--|---------------------------|
| Output waveform | Pure sine wave |
| Input | 12V DC |
| Output | 115V AC |
| TrueRated Power™ | 400W (24-hour continuous) |
| Peak surge | 800 watts |
| Maximum efficiency | 90% |
| Frequency | 60Hz |
| Total harmonic distortion (THD) | < 3% |
| No load current draw | < 0.6A |
| Battery low alarm | 10.5V ± 0.5V DC |
| Battery low shutdown | 10.0V ± 0.5V DC |
| Over voltage shutdown | 16.5V ± 0.5V DC |
| Cooling fan | Thermally controlled |
| AC output sockets | 2 North American standard |
| USB power port | 2.1A, 5V |
| Power output control | AC On/Off Switch |
| Dimensions | 9.3 × 4.7 × 2.8 in. |
| Net weight (approximate) | 2.7 lb |
| Included DC cable with ring connectors | 36 in., 11 AWG |

* All specifications are typical at nominal line, half load, and 77 °F (25 °C) unless otherwise noted. Specifications are subject to change without notice.

WARNING

⚠ INVERTER OUTPUT CAN BE LETHAL. IMPROPER USE OF THIS INVERTER MAY RESULT IN PROPERTY DAMAGE, PERSONAL INJURY OR LOSS OF LIFE.

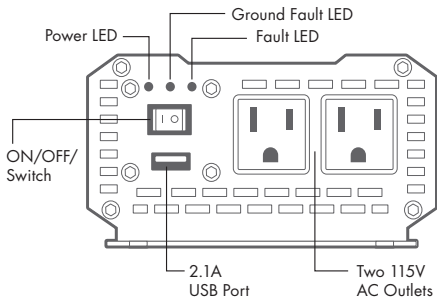
- Keep the inverter away from any direct heat source or combustible materials.
- Keep well ventilated—this device generates heat.
- Keep this inverter in a dry environment.
- Do not operate any equipment over 400 watts.
- This inverter is designed to operate from a 12 volt DC power source only.
- Do not attempt to connect the inverter to any other power source, including any AC power source.
- Incorrect battery polarity will damage the inverter and void the warranty.
- Do not open the inverter; there are no user serviceable parts inside.

DISPOSAL/RECYCLING OF INVERTER

Electronic products are known to contain materials that are toxic if improperly disposed. Contact local authorities for disposal and recycling information.



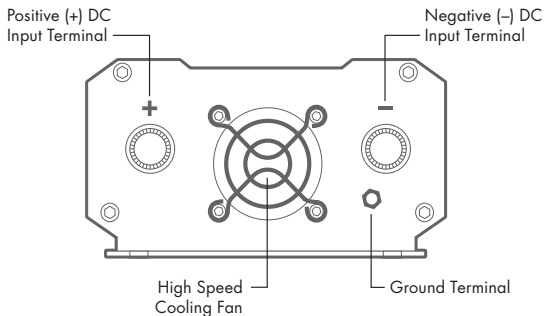
FRONT PANEL



- ON/OFF Switch — This switch controls AC output of the inverter.
- Power LED (Green) — When this green LED is lit, the inverter is operating normally.
- Ground Fault LED (Yellow) — When the yellow LED is lit, the ground fault circuit has been activated. Shut down the inverter and restart.
- Fault LED (Red) — The RED indicator turns on as the inverter shuts down due to overheating, overload, under voltage, or over voltage.
 - Immediately turn off all AC appliances if the FAULT LED is lit. Allow the inverter to cool before continuing. Make sure that the ventilation vents are not blocked.

- If an inverter shutdown was preceded by a buzzing sound, there may be an excessive load in combination with a low voltage or cable problem.
- Normal operating range is 11V to 15V DC.
- USB Power Port — This power port can supply 5 volts at 2.1A for charging or powering tablets, e-readers, smartphones, and other small electronic devices.
- Audible Alarm (internal to the inverter) — When the Audible Alarm makes a buzzing sound, the inverter senses a low battery condition. The user should reduce the AC load, charge the battery, and check the DC cable for excessive losses.

REAR PANEL



- Positive Terminal — Positive (+) DC Input (Red)
- Negative Terminal — Negative (-) DC Input (Black)
- Cooling Fan — High-speed and temperature controlled
- Ground Terminal — For attaching an insulated safety ground wire. This safety wire is for protecting personnel if there is an unlikely failure in either the cabling or enclosure insulation. Grounding the inverter enclosure ensures personnel safety should a DC cable problem occur. During the installation procedure, the Ground Terminal is connected either to a vehicle chassis or to the negative DC terminal of the battery. Do not directly connect this ground connection to the negative DC terminal of the inverter. Use an insulated 10 gauge wire to make the ground connection. If the inverter installation is located in fixed location, the safety wire can be connected to earth's ground.

LOAD CONSIDERATIONS

The startup load of an appliance is a major factor of whether this inverter can power it. This initial load is only momentary. With many appliances, it is approximately twice the continuous load, but some appliance startup loads can be as high as eight times the continuous load.

The inverter will automatically shut down in the event of an output overload so there is no danger of damaging either the inverter or the equipment. When the red LED indicator is lit, the inverter is signaling a fault.

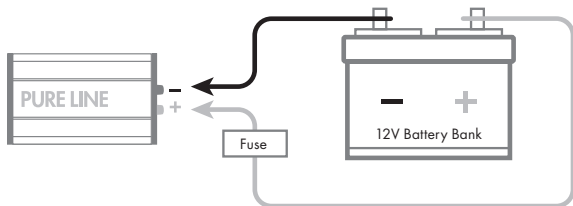
SETTING UP THE BATTERY BANK

Batteries that are used indoors or inside a vehicle or vessel, should be deep-cycle, sealed lead acid batteries.

NOTE: It is important that for any inverter installation to battery protection fuses. Battery fuses are added to the positive (+) battery cable as close as possible to the battery bank's positive terminal. The fuse amperage rating must be sized to allow simultaneous operation of all the AC appliances to be powered, plus 20 percent safety factor. Fuses are very important to protect equipment, batteries, and personnel. The fuses protect against battery explosion if the cables that connect to the inverter accidentally short.

BATTERY BANK DIAGRAM

The diagram below shows inverter connections to a battery bank with recommended fuse protection.



⚠ WARNING—EXPLODING BATTERIES!!

Exploding batteries can spray molten lead, hot sulfuric acid, and other metal, and plastic fragments. Batteries that are charging or under high discharge rates produce explosive hydrogen gas into the surrounding area. Be safe—fuse the battery bank and make sure the batteries are properly ventilated.

CONNECTING THE INVERTER



Installation procedure:

1. Mount the inverter in a secure location. If the inverter is to be mounted on a wall, mount it horizontally. Make sure that the front and rear of the inverter has free air flow.
2. Make sure the cables are the proper gauge and have the fuse holder as close to the battery bank's Positive (red) terminal.
3. Install the fuse in the Positive (red) cable.
4. Make sure the Power Switch located on the front panel of the inverter is in the Off position.
5. Locate the ground lug terminal on the inverter. Connect an insulated 10 gauge copper wire to the terminal. The other end of the ground wire is connected to a "proper" grounding point. Use the shortest practical length of wire. Connect this wire to the chassis of your vehicle or to the grounding system in your boat. In a city, the ground wire can connect to a metal cold water pipe that goes underground. In remote locations, the ground wire can be connected to an "earth ground". This can be an attachment to a foot long copper clad metal rod driven into the ground. In the unlikely event of a short circuit, operating the inverter without proper grounding can result in electrical shock. Do not directly connect this ground wire to the Negative (black) DC Terminal of the inverter. As an alternative grounding connection, use the Negative (black) terminal of the battery.

NOTE: Crimp-on ring terminals are required on all cable ends. The cable ends need to be stripped of insulation for 1/2 inch before crimping on ring terminals. Select a crimp terminal size to fit the gauge cable and inverter and battery terminal connectors. After crimping make sure that the cable connectors are secure on the cables so there are no loose connections.

6. Remove the terminal covers from the inverter. Slide the cable through the correct terminal cover.
7. Connect the Negative (black) cable end to the inverter terminal and battery Negative Terminal. Make sure you have good, secure connections.
8. Recheck and make sure the DC cable fuse is installed in the fuse holder.

CAUTION: Making an initial connection between the positive cable end and the inverter's positive terminal may cause a spark. This is a normal and is a result of capacitors in the inverter starting to charge. Because of the possibility of sparking, it is extremely important that both the inverter and the battery bank be positioned away from any source of flammable fumes or gases. Failure to heed this warning can result in fire or explosion. Do not make the positive terminal connection immediately after the batteries have been charging. Allow time for the battery gasses to vent to outside air.

9. Attach the positive cable to the Positive DC connector on the battery and then the inverter. Make sure the connections are tight and secure.
10. Turn on the inverter from the Front Panel Power Switch "I"
11. Make certain that the green Operating LED is lit and the FAULT LED indicator is not lit.
12. Turn Off "O" the inverter. The Fault LED may briefly "flash". This is normal. The audible alarm may also sound a short "chirp". This is also normal.
13. When you have confirmed that the appliance to be operated is turned off, plug the appliance into one of the two AC outlets on the front panel of the inverter.
14. Turn the inverter on.

15. Turn the appliance on. The appliance should begin working.

16. Observe the LED indicators for normal operation.

Note: If an extension cord is used from the inverter to the appliance, limit the extension cord length to 100 feet or less. Make sure that the cord is safety approved and AWG 14 or greater to carry the appliance load. Remember that extension cords are for temporary use.

⚠ WARNING: THERE IS DANGER OF EXPLOSION. DO NOT CONNECT OR DISCONNECT INVERTER CABLES DIRECTLY AFTER BATTERY DISCHARGE OR RECHARGE—MAKE SURE THAT THE BATTERY BANK AREA IS WELL VENTED BEFORE ATTACHING OR REMOVING CABLES.

OPERATING ISSUES: TELEVISION AND AUDIO EQUIPMENT SUGGESTIONS.

Although all inverters are shielded and filtered to minimize signal interference, some interference with your television picture may be unavoidable, especially with weak signals. However, here are some suggestions that may improve reception.

- Make sure that the television antenna produces a clear signal under normal operating conditions (i.e. plugged into a standard 110V/115V AC wall outlet). Also ensure that the antenna cable is of good quality and properly shielded.
- Sometimes vehicle alternators produce some electrical noise. There are filters available to mount on the alternator to reduce the noise.
- Change the positions of the inverter, antenna cables, and television power cord.
- Isolate the television, its power cord, and antenna cables from the 12 volt power source by running an extension cord from the inverter to the television.



TROUBLESHOOTING

PROBLEM: Low or No Output Voltage – Fault LED Lit

| Reason | Solution |
|--|--|
| Poor contact with battery, inverter terminals. | Clean terminals thoroughly. Reinstall and tighten. |

PROBLEM: Inverter Auto Shut Down – Fault LED Lit

| Reason | Solution |
|---|---|
| Battery voltage is below 10.0 volts. | Charge or replace battery. |
| Inverter is too hot (thermal shut down mode). | <ul style="list-style-type: none"> • Allow inverter to cool. • Check for adequate ventilation. • Reduce the load on the inverter to the specified TrueRated™ power max output. |

PROBLEM: Inverter Shut Down – Fault LED Lit

| Reason | Solution |
|--|---|
| Equipment being operated draws too much power. | Do not use the equipment with this inverter; use a higher wattage inverter. |

PROBLEM: No AC Output – Yellow Ground Fault LED Lit

| Reason | Solution |
|--|--|
| Ground fault is unintended AC current that is flowing to ground. It can be caused by faulty wiring, bad insulation, very long wiring, and sparking appliances. | Turn inverter OFF (O) to reset it, then to ON (I). IF the inverter immediately shuts off, disconnect each appliance or wiring until the inverter will stay on after reset. Examine the wiring or appliance for unintended connections. Repair or replace as necessary. |

PROBLEM: Continuous Buzzing Sound

| Reason | Solution |
|---|---|
| Input voltage is below 10.5 volts. | Keep input voltage above 10.5 volts. |
| Poor or weak battery condition. | Recharge or replace battery. |
| Poor or loose cable connection. | Inspect terminals and tighten all connections. |
| Inadequate power being delivered to the inverter or excessive voltage drop. | Use heavier gauge DC cables. Keep cable length as short as possible. |

WAGAN Corp. Limited Warranty

The WAGAN Corporation warranty is limited to products sold only in the United States.

Warranty Duration:

Product is warranted to the original purchaser for a period of two (2) years from the original purchase date, to be free of defects in material and workmanship. WAGAN Corporation disclaims any liability for consequential damages. In no event will WAGAN Corporation be responsible for any amount of damages beyond the amount paid for the product at retail.

Warranty Performance:

During the warranty period, a product with a defect will be replaced with a comparable model when the product is returned to WAGAN Corporation with an original store receipt. WAGAN Corporation will, at its discretion, replace or repair the defective part. The replacement product will be warranted for the balance of the original warranty period. This warranty does not extend to any units which have been used in violation of written instructions furnished.

Warranty Disclaimers:

This warranty is in lieu of all warranties expressed or implied and no representative or person is authorized to assume any other liability in connection with the sale of our products. There shall be no claims for defects or failure of performance or product failure under any theory of tort, contract or commercial law including, but not limited to negligence, gross negligence, strict liability, breach of warranty, and breach of contract.

Returns:

WAGAN Corporation is not responsible for any item(s) returned without an official Return Authorization number (RA#). Please contact our customer service team by phone or email to obtain an RA#. You can also visit our website and chat with our team during our normal business hours. For more details and instructions on how to process a warranty claim, please read the "Returns" section under the "Contact" page on our website. WAGAN Corporation is not responsible for any shipping charges incurred in returning the item(s) back to the company for repair or replacement.

Register your product online at <http://tinyurl.com/wagan-registration> to be added to our email list. You will receive previews on our upcoming products, promotions, and events.

INTRODUCCIÓN

Gracias por adquirir el inversor de onda sinusoidal pura de CC a CA Pure Line 400 de Wagan Tech®. Lea y comprenda este manual antes de instalar y utilizar este inversor. Guarde este manual para futuras consultas.

Ofrece una verdadera CA de onda sinusoidal idéntica a la de la energía comercial. Utilice este inversor para accionar aparatos de CA en su vehículo. CA de onda sinusoidal pura significa que sus equipos electrónicos sensibles, tales como sistemas de audio y video, computadoras y equipos de comunicaciones funcionarán de forma correcta. Además, los aparatos con motores funcionan más frescos, más silenciosos y de forma más eficiente cuando son accionados por CA de onda sinusoidal.

El inversor se alimenta con 12 voltios de corriente continua y proporcionará de forma continua 400 vatios de corriente alterna a 115 voltios, 60 Hz. La capacidad superior para resistir sobretensiones de 800 vatios permite que inversor encienda los aparatos motorizados más difíciles. Los circuitos avanzados controlados por microprocesador funcionan más frescos y son más confiables que las unidades de la competencia. El Pure Line 400 también funciona con una alta eficiencia (hasta del 90%), que se traduce en tiempo de funcionamiento prolongado y duración extendida de la batería en comparación con otros inversores con este nivel de potencia de salida. Un puerto de alimentación USB de 2.1A proporciona una manera conveniente para accionar aparatos USB o cargar tabletas, lectores electrónicos, teléfonos inteligentes, así como otros dispositivos electrónicos móviles.

El Pure Line 400 viene con un terminal de conexión a tierra separado que se encuentra normalmente en unidades de mayor capacidad. Este terminal ayuda a reducir el ruido causado por la conversión de energía al utilizar dispositivos de radiofrecuencia.

Los terminales de CC han sido diseñados con cubiertas protectoras para minimizar el riesgo de escasez accidental al manejar los cables de CC. Unión neutro a tierra, al igual que la red pública. El inversor se suministra con un cable adaptador de alimentación que conecta el inversor a una fuente de alimentación de CC. Las rejillas de ventilación de la carcasa se han minimizado para reducir el riesgo de intrusión de plagas en climas tropicales áridos.



Este inversor incorpora funciones de seguridad, incluida la certificación ETL (UL458, CSA 22.2), recubrimiento conformal para proteger los circuitos del polvo y la humedad, protección contra fallas a tierra y protección de terminales de CC.

El inversor de onda sinusoidal pura Wagan Pure Line 400 es un complemento indispensable para completar su equipo de energía móvil. Con cuidados mínimos y un tratamiento adecuado, proporcionará años de servicio confiable.

ESPECIFICACIONES*

| | |
|--|---------------------------------|
| Forma de onda de salida | Onda sinusoidal pura |
| Entrada | 12V de CC |
| Salida | 115V de CA |
| Potencia TrueRated™ | 400 vatios (24 horas continuas) |
| Sobretensión máxima | 800 vatios |
| Máxima eficiencia | 90% |
| Frecuencia | 60 Hz |
| Distorsión armónica total (THD) | < 3% |
| Consumo de corriente sin carga | < 0.6A |
| Alarma de batería baja | 10.5V ± 0.5V de CC |
| Apagado por batería baja | 10.0V ± 0.5V de CC |
| Apagado por sobre voltaje | 16.5V ± 0.5V de CC |
| Ventilador de enfriamiento | Controla térmicamente |
| Tomas de salida de CA | 2 Estándar Norteamericano |
| Puerto de alimentación USB | 2.1A, 5V |
| Control de potencia de salida | Control CA Encendido/Apagado |
| Dimensiones | 23.6 x 11.9 x 7.1 cm |
| Peso neto (aproximado) | 1.22 kg |
| Incluye cable de CC con conectores de anillo | 90 cm, 11 AWG |

* Todas las especificaciones son las típicas en la línea nominal, media carga y 25 °C (77 °F) a menos que se indique lo contrario. Las especificaciones están sujetas a cambios sin previo aviso



ADVERTENCIA

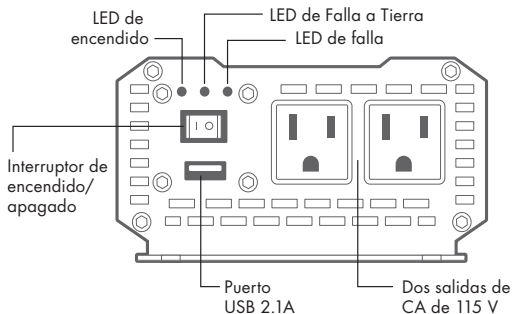
⚠ LA SALIDA DEL INVERSOR PUEDE SER MORTAL. EL USO INDEBIDO DE ESTE INVERSOR PUEDE CAUSAR DAÑOS A LA PROPIEDAD, LESIONES PERSONALES O LA MUERTE.

- Mantenga el inversor alejado de cualquier fuente de calor directo o materiales combustibles.
- Mantenga una buena ventilación, este dispositivo genera calor.
- Mantenga este inversor en un ambiente seco.
- No utilice ningún equipo de más de 400 vatios.
- Este inversor está diseñado para funcionar con una fuente de alimentación de CC de 12 voltios solamente.
- No intente conectar el inversor a ninguna otra fuente de energía, incluyendo cualquier fuente de alimentación de CA.
- La polaridad incorrecta de la batería puede dañar el inversor y anular la garantía.
- No abra el inversor; no contiene partes que puedan ser reparadas por el usuario.

ELIMINACIÓN/RECICLAJE DEL INVERSOR

Se sabe que los productos electrónicos contienen materiales que son tóxicos si se desechan inadecuadamente. Póngase en contacto con las autoridades locales para obtener información sobre eliminación y reciclaje.

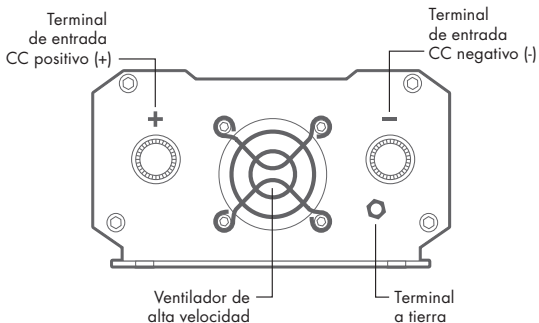
PANEL FRONTAL



- Interruptor de encendido/apagado — Este interruptor controla la salida de CA del inversor.
- LED de Funcionamiento (Verde) — Cuando este LED esté en verde, el inversor está funcionando normalmente.
- LED de Falla a Tierra (amarillo) — Si el LED amarillo está encendido, el circuito de falla a tierra se ha activado. Desconectar el inversor y reiniciar.
- LED de Falla (Rojo) — El indicador ROJO se enciende cuando el inversor se apaga debido a un sobrecalentamiento, sobrecarga, bajo voltaje o sobre voltaje.
 - Apague inmediatamente todos los aparatos de CA si se enciende el LED de Falla. Deje que el inversor se enfríe antes de continuar. Asegúrese de que las rejillas de ventilación no estén bloqueadas.

- Si el apagado del inversor fue precedido por un sonido de zumbido, puede haber una carga excesiva en combinación con un bajo voltaje o un problema con el cable.
- Puerto de Alimentación USB — Este puerto de alimentación puede suministrar 5 voltios a 2.1A para cargar o accionar tabletas, lectores electrónicos, teléfonos inteligentes, y otros dispositivos electrónicos pequeños.
- Alarma Sonora (interna en el inversor) — Cuando la alarma sonora emite un sonido de zumbido, el inversor detecta un estado de batería baja. El usuario debe reducir la carga de CA, cargar la batería y revisar el cable de CC si hay pérdidas excesivas.

PANEL POSTERIOR



- Terminal Positivo — Entrada de CC positiva (+) (Rojo)
- Terminal Negativo — Entrada de CC negativa (-) (Negro)

- Ventilador de Enfriamiento — De alta velocidad y temperatura controlada
- Terminal de Conexión a Tierra — Para conectar un cable a tierra de seguridad aislado. Este cable de seguridad es para proteger al personal en caso de una posible falla, ya sea en el cableado o en el aislamiento de la carcasa. Conectar a tierra la cubierta del inversor garantiza la seguridad personal si se produce un problema con el cable de CC. Durante el procedimiento de instalación, la terminal a tierra debe estar bien conectada al chasis del vehículo o a la terminal negativa CC de la batería. No conecte directamente esta conexión a tierra a la terminal negativa de CC del inversor. Utilice un cable aislado de calibre 10 para hacer la conexión a tierra. Si la instalación del inversor se encuentra en posición fija, el cable de seguridad puede estar conectado a tierra.

CONSIDERACIONES DE CARGA

La carga de arranque de un aparato es un factor importante para determinar si este inversor puede accionarlo. Esta carga inicial es sólo momentánea. Con muchos aparatos, es aproximadamente el doble de la carga continua, pero algunas cargas de arranque de aparatos pueden ser hasta ocho veces la carga continua.

El inversor se apagará automáticamente en caso de una sobrecarga de salida, así que no hay peligro de que dañe el inversor o el equipo. Cuando se ilumina el indicador LED rojo, el inversor está indicando una falla.

CONFIGURANDO EL BANCO DE BATERÍAS

Las baterías que se utilizan en el interior o en el exterior de un vehículo o embarcación, deben ser de ciclo profundo, baterías plomo-ácido selladas.

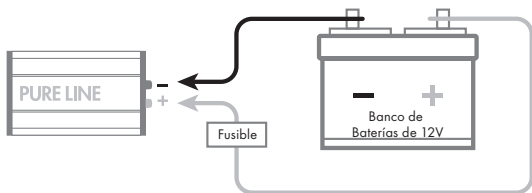
NOTA: Es importante que para cualquier instalación del inversor exista una protección con fusibles de batería. Los fusibles de la batería se añaden al cable (+) positivo de la batería lo más cerca posible de la terminal positiva del banco de baterías. El amperaje del fusible debe ser dimensionado para permitir el funcionamiento simultáneo de todos los aparatos CA para recibir alimentación, además del factor de seguridad del 20 por ciento. Los fusibles son muy



importantes para proteger el equipo, baterías y personal. Los fusibles protegen contra la explosión de la batería si los cables que se conectan al inversor accidentalmente hacen corto.

DIAGRAMA DEL BANCO DE BATERÍAS

El diagrama a continuación muestra las conexiones del inversor al banco de baterías con la protección de fusibles recomendada.



⚠ ADVERTENCIA— ¡LAS BATERÍAS PUEDEN EXPLOTAR!

La explosión de las baterías puede diseminar plomo fundido, ácido sulfúrico caliente, otros metales y fragmentos de plástico. Las baterías que se están cargando o bajo altas tasas de descarga producen hidrógeno explosivo en la zona circundante. Asegúrese de colocar fusibles en el banco de la batería y de que las baterías estén bien ventiladas.

CONEXIÓN DEL INVERSOR



Procedimiento de instalación:

1. Monte el inversor en un lugar seguro. Si el inversor se va a montar en una pared, móntelo horizontalmente. Asegúrese de que la parte delantera y posterior del inversor tenga flujo de aire libre.
2. Asegúrese de que los cables son del calibre adecuado y tienen el soporte del fusible lo más cerca de la terminal positiva (roja) del banco de baterías.
3. Instale el fusible en el cable Positivo (rojo).
4. Asegúrese de que el Interruptor Alimentación situado en el panel frontal del inversor se encuentra en la posición Apagado "O".
5. Localice la lengüeta de puesta a tierra en el inversor. Conecte un cable de cobre calibre 10 con aislamiento a la terminal. El otro extremo del cable a tierra estará conectado a un punto de puesta a tierra "apropiado". Utilice la longitud de alambre más corta y práctica. Conecte este cable al chasis del vehículo o al sistema de tierra en embarcación. En la ciudad, el cable a tierra puede conectarse a una tubería de agua fría de metal clandestina. En lugares remotos, el cable a tierra se puede conectar directo a la "tierra". Esto puede ser amarrado a una barra de metal de cobre 30.5 cm revestida larga, clavada en el suelo. En el improbable caso de un cortocircuito, el funcionamiento del inversor sin conexión adecuada a tierra puede causar una descarga eléctrica. No conecte directamente este cable a tierra al negativo (negro) de la terminal CC del inversor. Como una conexión a tierra alternativa, utilice el terminal negativo (negro) de la batería.

NOTA: Las terminales con anillo de compresión se requieren en todos los extremos de los cables. Los extremos de los cables deben pelarse 1.3 cm

antes de prensarlos en las terminales. Seleccione un tamaño de terminal prensado que se ajuste al calibre del cable y a los conectores de las terminales y batería del inversor. Después de prensar asegúrese de que los conectores de los cables están bien sujetos para que no haya conexiones sueltas.

6. Quite los protectores de terminal del inversor. Deslice el cable por el protector de terminal correcto.
7. Conecte el extremo del cable (negro) negativo a la terminal del inversor y la terminal negativa de la batería. Asegúrese de que ambas conexiones están protegidas.
8. Vuelva a revisar y asegúrese de que el fusible del cable CC está instalado en el portafusibles.

PRECAUCIÓN: Al hacer la conexión inicial entre el extremo del cable positivo y el terminal positivo del inversor puede causar una chispa. Esto es normal y es el resultado de que los condensadores del convertidor han iniciado la carga. Debido a la posibilidad de chispas, es extremadamente importante que tanto el inversor y el banco de baterías estén ubicados lejos de cualquier fuente inflamable. La omisión de esta advertencia puede provocar un incendio o explosión. No haga la conexión del terminal positiva inmediatamente después que las baterías han estado cargando. Permita un periodo corto de ventilación para que los gases de la batería se disipen hacia el exterior.

9. Conecte el cable positivo al conector CC positivo de la batería y luego al inversor. Asegúrese de que las conexiones estén firmes y seguras.
10. Encienda el inversor con el Interruptor De Alimentación del panel frontal del inversor "I".
11. Asegúrese de que el LED de funcionamiento está encendido (verde) y el indicador LED de FALLA no está encendido.

12. Apague "O" el inversor. El LED de falla pueden "centellear" brevemente. Esto es normal. La alarma audible también puede sonar un corto "ruido". Esto también es normal.
13. Cuando haya confirmado que el aparato que será operado está apagado, conecte el aparato a una de las dos salidas de CA en el panel frontal del inversor.
14. Encienda el inversor.
15. Encienda el aparato. El aparato debe empezar a trabajar.
16. Revise los indicadores LED para cerciorarse del funcionamiento normal.

Nota: Si se utiliza un cable de extensión desde el inversor hasta el aparato, limite la longitud del cable a 30.5 m o menos (100 pies). Asegúrese de que el cable está aprobado como seguro y cumple con la AWG al nivel 14 o superior para soportar la carga del aparato. Recuerde que los cables de extensión son para uso temporal.

⚠ ADVERTENCIA: EXISTE PELIGRO DE EXPLOSIÓN. NO CONECTE O DESCONECTE LOS CABLES DEL INVERSOR DIRECTAMENTE DESPUÉS DE LA DESCARGA O RECARGA DE LA BATERÍA, ASEGÚRESE DE QUE EL ÁREA DE BANCO DE BATERÍA ESTÉ BIEN VENTILADO ANTES DE COLOCAR O RETIRAR LOS CABLES.

PROBLEMAS DE FUNCIONAMIENTO: SUGERENCIAS PARA EQUIPOS DE AUDIO Y TELEVISIÓN.

Aunque todos los inversores están protegidos y filtrados para minimizar la interferencia de la señal, es posible que no se pueda evitar cierta interferencia con la imagen de su televisor, especialmente con señales débiles. Sin embargo, a continuación hay algunas sugerencias que pueden mejorar la recepción.

- Asegúrese de que la antena de televisión produce una señal clara en condiciones normales de funcionamiento (es decir, conectada a un

tomacorriente de pared estándar 110V/115V de CA). También asegúrese de que el cable de la antena sea de buena calidad y esté bien protegido.

- A veces, los alternadores de los vehículos producen un poco de ruido eléctrico.
- Cambie las posiciones del inversor, los cables de antena y el cable de alimentación del televisor.
- Aísle el televisor, su cable de alimentación y los cables de antena de la fuente de alimentación de 12 voltios colocando un cable de extensión desde el inversor hasta el televisor.

SOLUCIÓN DE PROBLEMAS

PROBLEMA: Voltaje de salida bajo o nulo – LED de Falla encendido

| Razón | Solución |
|---|---|
| Contacto deficiente con la batería o los terminales del inversor. | Limpie los terminales a fondo. Vuelva a instalar y apriete. |

PROBLEMA: Apagado automático del inversor – LED de falla encendido

| Razón | Solución |
|--|---|
| El voltaje de la batería está por debajo de 9.5 voltios. | Cargue o cambie la batería. |
| El inversor está demasiado caliente (modo de apagado térmico). | <ul style="list-style-type: none">• Deje que el inversor se enfríe.• Compruebe si hay una ventilación adecuada.• Reduzca la carga del inversor a la salida máxima de potencia de TrueRated™ especificada. |

PROBLEMA: Apagado del inversor – LED de falla encendido

| Razón | Solución |
|--|---|
| El equipo en funcionamiento consume demasiada energía. | No utilice el equipo con este inversor; utilice un inversor de potencia superior. |

PROBLEMA: Sin salida de CA - LED amarillo de falla a tierra iluminado

| Razón | Solución |
|---|--|
| La falla a tierra es una CA no intencional que fluye a tierra. La causa puede ser un cableado defectuoso, mal aislamiento, cableado muy largo y aparatos que producen chispa. | Apague el inversor (OFF - O) para restablecerlo, luego enciéndalo (ON - I). Si el inversor se apaga inmediatamente, desconecte todos los aparatos o el cableado hasta que el inversor permanezca encendido después de su restablecimiento. Revise el cableado o el aparato en busca de conexiones no deseadas. Repare o reemplace según sea necesario. |

PROBLEMA: Sonido de zumbido continuo

| Razón | Solución |
|--|---|
| El voltaje de entrada está por debajo de 10.5 voltios. | Mantenga el voltaje de entrada por encima de 10.5 voltios. |
| Mal estado o estado débil de la batería. | Recargue o reemplace la batería. |
| Mala conexión del cable o cable suelto. | Inspeccione los terminales y apriete todas las conexiones. |
| Se está suministrando una potencia inadecuada al inversor o caída excesiva de voltaje. | Utilice cables de CC de mayor calibre. Mantenga la longitud del cable lo más corta posible. |

Garantía Limitada de la Corporación Wagan

La garantía de WAGAN Corporation se limita exclusivamente a los productos vendidos en Estados Unidos.

Duración de la garantía:

Se extiende la garantía del producto para el comprador original por el periodo de dos (2) años a partir de la fecha de compra original, que declara que está libre de defectos de materiales y mano de obra. WAGAN Corporation no asume ninguna responsabilidad por daños consecuentes. Bajo ninguna circunstancia WAGAN Corporation asumirá responsabilidad por daños que excedan el importe pagado por el producto en una tienda minorista.

Cumplimiento de la garantía:

Durante el periodo de la garantía, un producto defectuoso será reemplazado por un modelo equivalente cuando el producto sea devuelto a WAGAN Corporation con un recibo original de la tienda. WAGAN Corporation, a su criterio, reemplazará, reemplazará o reparará la parte defectuosa. El producto de reemplazo quedará cubierto por el resto del periodo de la garantía original. Esta garantía no se extiende a las unidades cuyo uso haya violado las instrucciones suministradas por escrito.

Exclusiones de la garantía:

Esta garantía reemplaza toda otra garantía expresa o implícita y ningún representante o persona están autorizados a asumir responsabilidad alguna en relación con la venta de nuestros productos. No se aceptarán reclamos por defectos o falla de funcionamiento o falla del producto bajo ninguna interpretación del derecho de responsabilidad civil, contractual o comercial, sin limitarse a negligencia, negligencia grave, responsabilidad objetiva, violación de garantía y violación de contrato.

Devoluciones:

WAGAN Corporation no se responsabiliza por cualquier elemento(s) devuelto(s) sin un número de Autorización de devolución (#AD). Por favor póngase en contacto con nuestro equipo de servicio al cliente por teléfono o correo electrónico para obtener un #AD. También puede visitar nuestro sitio web y hablar con nuestro equipo en nuestro horario normal de trabajo. Para más detalles e instrucciones sobre cómo procesar un reclamo de garantía, por favor lea la sección "Devoluciones" de la página de "Contacto" en nuestro sitio web. WAGAN Corporation no se responsabiliza por cualquier cargo por envío que resulte de la devolución de el/los elemento(s) a la compañía para reparaciones o reemplazo.

Registre su producto en línea en <http://tinyurl.com/wagan-registration> para ser agregado a nuestra lista de correo electrónico. Recibirá reseñas sobre nuestros próximos productos, promociones y eventos.

INTRODUCTION

Merci d'avoir acheté l'onduleur continu/alternatif Pure Line 400 de Wagan Tech^{MD}. Assurez-vous de bien lire et de bien comprendre le contenu de ce manuel avant d'installer et d'utiliser votre onduleur. Gardez le manuel afin de le consulter ultérieurement.

Vous bénéficiez ainsi d'électricité propre et de qualité à prix abordable. Il émet une tension sinusoïdale pure en courant alternatif, identique à celle de l'énergie commerciale. Cet onduleur alimente les appareils en CA dans votre véhicule. Le CA sous tension à onde sinusoïdale permet le bon fonctionnement des appareils électroniques les plus délicats : systèmes audio-vidéo, ordinateurs et appareils de communication. En outre, les appareils motorisés chaufferont moins, feront moins de bruit et seront plus efficaces sous tension AC sinusoïdale.

Votre nouvel onduleur est alimenté par CC de 12 volts, et émet continuellement 400 watts de CA à 115 volts, 60 Hz. Une capacité de surtension supérieure de 800 watts permet à l'onduleur de démarrer appareils motorisés les plus difficiles. Ses circuits avancés commandés par microprocesseur chauffent moins, et sont plus fiables que ses concurrents. Les Pure Line 400 fonctionnant à haute efficacité (jusqu'à 90%), il peut fonctionner pendant de longues périodes et sa batterie dure plus longtemps que celle des onduleurs de la même puissance de sortie. Le port d'alimentation USB 2,1A est un moyen pratique d'alimenter les appareils USB ou de charger tablettes, liseuses, smartphones, et autres appareils portables électroniques.

L'onduleur comprend une borne de terre séparée, identique à celle que l'on retrouve sur un appareil de capacité supérieure. Cette borne permet d'atténuer le bruit causé par la conversion de la puissance pour les appareils à fréquence radio.



Les bornes de CC sont séparées avec des capots de protection pour minimiser le risque de pénétration accidentelle lors de la manipulation des câbles CC. Il est neutre jusqu'à la mise à la terre, comme l'électricité publique. Les événements de fermeture ont été réduits au minimum afin d'empêcher les animaux de pénétrer dans les climats tropicaux ou arides.

Cet onduleur est muni de fonctions de sécurité, dont une certification ETL (UL458, CCÉ 22.2), un revêtement conforme pour protéger les circuits contre la poussière et l'humidité, une protection de défaut à la terre et un protecteur de borne CC.

L'onduleur sinusoïdal Wagan Pure Line 400 est un ajout indispensable à votre collection d'appareils portables. Un minimum d'entretien suffira à en tirer des années de service sans faille.

DÉTAILS TECHNIQUES*

| | |
|--|--------------------------------|
| Onde de sortie | Tension sinusoïdale |
| Entrée | 12V CC |
| Sortie | 115V CA |
| Puissance TrueRated ^{MC} | 400 watts (24 heures continue) |
| Onde de pointe | 800 watts |
| Efficacité maximale | 90% |
| Fréquence | 60Hz |
| Distorsion harmonique totale | < 3% |
| Consommation de courant à vide | < 0.6 A |
| Niveau de l'alarme « Batterie faible » | 10,5V ± 0,5V CC |
| Coupure batterie faible | 10,0V ± 0,5V CC |
| Coupure surtension | 16,5V ± 0,5V CC |
| Ventilateur de refroidissement | Contrôlé par la chaleur |
| Prises de sortie CA | 2 |
| Port d'alimentation USB | 2,1A, 5V |
| Commande de sortie de puissance | Interrupteur CA Marche/Arrêt |
| Dimensions de l'interrupteur d'alimentation de sortie CA | 23.6 × 11.9 × 7.1 cm |
| Poids net (environ) | 1.22 kg |
| Inclus câble CC avec des connecteurs annulaires | 90 cm, 11 AWG |

* Tous les détails techniques sont courants en ligne nominale, à demi-charge et à 25 °C (77 °F) si le contraire n'est pas précisé. Les détails techniques sont sujets à changement sans préavis.



AVERTISSEMENT

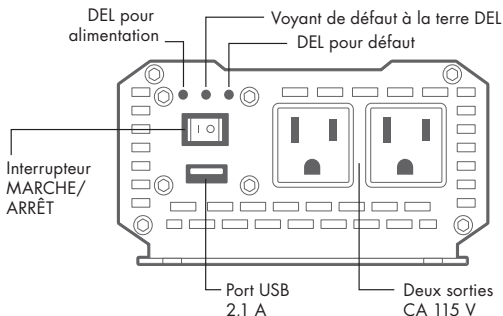
⚠ LA PUISSANCE DE L'ONDULEUR PEUT CAUSER LA MORT. LA MAUVAISE UTILISATION DE CET ONDULEUR PEUT CAUSER DES DÉGÂTS MATÉRIELS AINSI QUE DES LÉSIONS PHYSIQUES OU MORTELLES.

- Tenir l'onduleur loin de toute source de chaleur directe et matière combustible.
- Maintenir bien aéré : cet appareil dégage de la chaleur.
- Garder l'onduleur dans un endroit sec.
- Ne pas utiliser avec un appareil de plus de 400 watts.
- L'onduleur est destiné à être branché à une source de puissance de 12 volts de CC seulement.
- Ne pas tenter de brancher l'onduleur dans aucune autre source d'alimentation, y compris les sources d'alimentation en CA.
- La mauvaise polarité des piles peut endommager l'onduleur et annuler la garantie.
- Ne pas ouvrir l'onduleur : aucune pièce se trouvant à l'intérieur ne peut être réparée.

JETER/RECYCLER L'ONDULEUR

Les produits électroniques renferment des matières toxiques si elles sont mal éliminées. Contacter l'administration de votre région pour savoir comment jeter ou recycler votre onduleur.

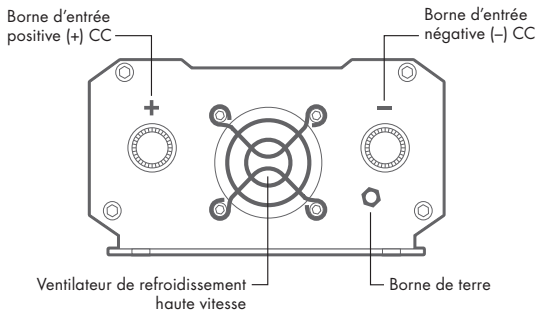
PANNEAU AVANT



- Interrupteur MARCHÉ/ARRÊT — Commande la sortie du CA de l'onduleur.
- DEL Marche (Vert) — Le voyant vert indique que l'onduleur fonctionne normalement.
- Voyant de défaut à la terre DEL (jaune) — Un voyant DEL jaune indique que le circuit de défaut à la terre a été activé. Éteignez le convertisseur, puis remettez-le en marche.
- DEL Erreur (Rouge) — Le voyant rouge indique que l'onduleur a été éteint par une surchauffe, surcharge, sous-tension ou surtension.
 - Éteindre immédiatement tous les appareils en CA si le voyant rouge s'allume. Laisser l'onduleur refroidir avant de le remettre en marche. Assurez-vous que les clapets d'aération ne sont pas obstrués.

- Si l'onduleur s'est éteint après avoir émis un bourdonnement, il est possible qu'un problème ait été causé par une surcharge avec sous-tension ou un problème de câbles.
- Prise d'Alimentation USB — Prise d'alimentation jusqu'à 5 volts à 2,1A pour le chargement ou l'alimentation de tablettes, liseuses, smartphones, et autres petits appareils électroniques.
- Alarme Audio (interne) — Un bourdonnement se fait entendre lorsque les batteries sont faibles. Réduire la charge de CA, charger la batterie et examiner le câble CC pour détecter les pertes excessives.

PANNEAU ARRIÈRE



- Borne Positive — Entrée CC Positif (+) (Rouge)
- Borne Négative — Entrée CC Négatif (-) (Noir)
- Ventilateur de Refroidissement — Haute vitesse, et contrôlé par la température
- Borne de Terre – Pour la connexion d'un fil de terre de sécurité isolé. Ce fil de sécurité protège le technicien dans l'éventualité peu probable d'une défaillance de l'isolation des câbles ou du boîtier. La mise à terre de l'enceinte de l'onduleur assure la sécurité de l'utilisateur si un problème avec un câble CC survenait. Durant le processus d'installation, La borne de mise à terre est connectée soit au châssis d'un véhicule ou à la borne CC négative de la batterie. Ne branchez pas directement cette connexion de

mise à terre au terminal négatif CC de l'onduleur. Utilisez un câble isolé de calibre 10 pour faire la connexion de mise à terre. Si l'installation de l'onduleur est située en un emplacement fixe, le fil de sécurité peut être connecté à la terre.

ASPECTS À CONSIDÉRER – CHARGE

La possibilité d'utiliser l'onduleur pour alimenter un appareil dépend grandement de la charge de démarrage de ce dernier. La charge initiale est momentanée. Pour plusieurs appareils cette charge est environ le double de la charge continue, quoique la charge de démarrage puisse être jusqu'à huit fois plus élevée que la charge continue.

Puisque l'onduleur s'éteint automatiquement après une surcharge, il n'y a aucun danger d'endommager l'onduleur ou l'appareil. Le voyant rouge indique une défaillance de l'onduleur.

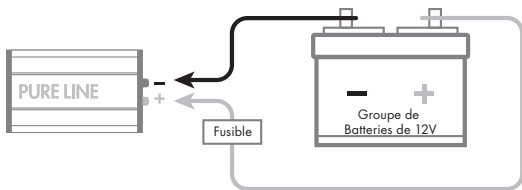
CONFIGURATION DU GROUPE DE BATTERIES

Les batteries qui sont utilisées à l'intérieur ou à l'intérieur d'un véhicule ou d'un bateau devraient être à décharge profonde de plomb-acide scellées.

REMARQUE : Il est important, pour chaque installation d'onduleur, de protéger la batterie avec des fusibles. Des fusibles de batterie sont ajoutés au câble de batterie positif (+) le plus près possible du terminal positif du groupe de batteries. Le taux d'ampère du fusible doit être mesuré pour permettre l'opération simultanée de tous les appareils CA à alimenter, plus 20% de facteur de sécurité. Les fusibles sont très importants pour protéger l'équipement, les batteries et l'utilisateur. Les fusibles protègent contre l'explosion de la batterie si les câbles qui connectent l'onduleur se court-circuitent accidentellement.

DIAGRAMME DU GROUPE DE BATTERIES

Le diagramme ci-dessous illustre les connexions de l'onduleur au groupe de batteries avec la protection par fusible recommandée.



⚠ AVERTISSEMENT — BATTERIES QUI EXPLOSENT!!

Les batteries qui explosent peuvent dégager du plomb fondu, de l'acide sulfurique chaud et d'autres fragments de métal ou de plastique. Les batteries qui chargent ou qui se trouvent sous des taux de décharge élevés produisent un gaz hydrogène explosif dans la zone environnante. Agissez prudemment – installez des fusibles au groupe de batteries et assurez-vous que les batteries soient adéquatement aérées.

BRANCHER L'ONDULEUR



Procédure d'installation :

1. Installez l'onduleur dans un endroit sécuritaire. Si l'onduleur doit être installé sur un mur, installez-le horizontalement. Assurez-vous que le devant et l'arrière de l'onduleur aient une bonne circulation d'air.
2. Assurez-vous que les câbles soient du bon calibre et aient le porte-fusible aussi près que possible de la borne positive (rouge) du groupe de batteries.
3. Installez le fusible dans le câble Positif (rouge).
4. Assurez-vous que l'Interrupteur d'Alimentation situé sur l'avant du panneau des onduleurs soit dans la position Arrêt "O".
5. Localisez la cosse de mise à terre de la borne sur l'onduleur. Connectez un fil de cuivre isolé de calibre 10 à la borne. L'autre extrémité du fil de mise à terre est connectée à un point de mise à terre « adéquat ». Utilisez une longueur de fil pratique la plus courte. Connectez ce fil au châssis de votre véhicule ou au système de mise à terre dans votre bateau. Dans une ville, le fil de mise à terre peut être connecté à un tuyau d'eau froide en métal qui entre sous terre. Dans les endroits éloignés, le fil de mise à terre peut être connecté à une « prise de terre ». Celle-ci peut être une attache à une tige de métal à revêtement de cuivre de 30,5 cm qui est plantée dans la terre. Dans l'éventualité peu probable d'un court-circuit, faire fonctionner l'onduleur sans mise à terre adéquate pourrait provoquer un choc électrique. Ne connectez pas directement ce fil de mise à terre à la borne négative (noire) CC de l'onduleur. Pour une connexion de mise à terre alternative, utilisez la borne négative (noire) de la batterie.

COMMENTAIRE : Des cosses en anneau à cran sont requises pour toutes les extrémités de câble. Les extrémités de câble doivent être dénudées de leur isolation d'une longueur de 1,3 cm avant de sertir les cosses à anneau. Sélectionnez une grandeur de cosses à sertir qui convient au calibre du câble et aux connecteurs de borne de l'onduleur et de la batterie. Après le sertissage assurez-vous que les connecteurs de câble soient bien fixés aux câbles pour qu'il n'y ait pas de connexions lâches.

6. Retirez les cache-bornes du convertisseur. Glissez le câble à travers le cache-borne approprié.
7. Connectez l'extrémité négative (noire) à la borne de l'onduleur et à la borne négative de la batterie. Assurez-vous d'avoir de bonnes connexions bien sûres.
8. Revérifiez et assurez-vous que le fusible du câble CC soit installé dans le porte-fusible.

ATTENTION : Faire une connexion initiale entre l'extrémité positive du câble et la borne positive de l'onduleur pourrait produire des étincelles. À cause de la possibilité d'étincelles, il est extrêmement important que les deux, l'onduleur et le groupe de batteries soient placés loin de toutes sources de fumées ou de gaz inflammables. Le défaut de ne pas se conformer à cet avertissement pourrait occasionner un feu ou une explosion. Ne faites pas la connexion de la borne positive immédiatement après que la batterie a été chargée. Laissez le temps aux gaz de la batterie de s'évaporer à l'air extérieur.

9. Fixer le câble positif au connecteur CC positif sur la batterie et ensuite sur l'onduleur. Assurez-vous que les connexions soient serrées et sûres.
10. Allumez l'onduleur à partir de l'Interrupteur d'Alimentation du panneau avant "I".
11. Assurez-vous que l'indicateur DEL d'opération est allumé et que le DEL DE DÉFAUT ne soit pas allumé.



12. Éteignez "O" l'onduleur. Le DEL de défaut pourrait brièvement « clignoter ». C'est normal. L'alarme audible pourrait également faire retentir un court « Chirp ». C'est également normal.
13. Lorsque vous avez vérifié que l'appareil à faire fonctionner est éteint, branchez l'appareil dans une des deux sorties CA sur le panneau avant de l'onduleur.
14. Allumez l'onduleur.
15. Allumez l'appareil. L'appareil devrait commencer à fonctionner.
16. Observez les indicateurs DEL pour vérifier le fonctionnement normal.

Remarque : Si tout cordon d'extension est utilisé de l'onduleur à l'appareil, limiter la longueur du cordon d'extension à 100 pieds (30,5 m) ou moins. Assurez-vous que le cordon soit approuvé pour la sécurité et de niveau AWG 14 ou supérieur pour supporter la charge de l'appareil. N'oubliez-pas que les cordons d'extension sont pour une utilisation temporaire.

⚠ AVERTISSEMENT : IL Y A UN RISQUE D'EXPLOSION. NE PAS CONNECTER OU DÉCONNECTER LES CÂBLES DU L'ONDULEUR IMMÉDIATEMENT APRÈS LA DÉCHARGE OU LA RECHARGE DE LA BATTERIE — ASSUREZ-VOUS QUE LA ZONE DU GROUPE DE BATTERIES SOIT BIEN AÉRÉE AVANT DE FIXER OU D'ENLEVER LES CÂBLES.

PROBLÈMES D'UTILISATION : CONSEILS POUR LES APPAREILS AUDIO-VIDÉO

Bien que tous les onduleurs soient protégés et filtrés pour réduire au minimum l'interférence du signal, le brouillage de la télévision pourrait être inévitable, surtout si le signal est faible. Cependant, les suggestions suivantes pourraient vous aider à améliorer la réception

- Assurez-vous que l'antenne de la télévision permette d'obtenir un signal clair en conditions normales (télévision branchée dans une prise murale de 110V/115V CA), et que le câble de l'antenne soit de bonne qualité et bien protégé.
- Il se peut que l'alternateur du véhicule dégage un bruit électrique. Des filtres peuvent être installés sur l'alternateur pour en réduire le bruit.
- Changer la position de l'onduleur, des câbles de l'antenne et du câble d'alimentation de la télévision.
- Isoler la télévision, son câble d'alimentation et les câbles de l'antenne de la source d'alimentation de 12 volts en reliant un câble d'extension entre l'onduleur et la télévision.

RÉSOLUTION DE PROBLÈMES

PROBLÈME : Tension de sortie faible ou nulle – Voyant rouge allumé

| Raison | Solution |
|---|---|
| Mauvais contact avec les bornes de la batterie ou l'onduleur. | Bien nettoyer les bornes. Réinstaller et bien serrer. |

PROBLÈME : Onduleur éteint automatiquement – Voyant rouge allumé

| Raison | Solution |
|--|---|
| Tension d'accumulateur inférieure à 9,5 volts. | Charger ou remplacer la batterie. |
| Onduleur trop chaud (mise en veille surchauffe). | <ul style="list-style-type: none">• Laisser l'onduleur refroidir.• S'assurer que la ventilation est adéquate.• Réduire la charge de l'onduleur à la puissance de sortie maximale TrueRated^{MC} |

PROBLÈME : Onduleur éteint – Voyant rouge allumé

| Raison | Solution |
|---------------------------------|---|
| Suralimentation par l'appareil. | Ne pas utiliser cet appareil avec l'onduleur. Choisir un onduleur plus puissant |

PROBLÈME : Aucune sortie CA — Voyant jaune de défaut à la terre DEL allumé

| Raison | Solution |
|---|--|
| Un défaut à la terre est un courant CA non désiré qui circule dans la terre. Il peut être causé par un câblage défectueux, une mauvaise isolation, des câbles très longs ou un appareil ménager qui produit des étincelles. | Mettez l'onduleur en position ARRÊT (OFF [O]), puis de nouveau en position MARCHÉ (ON [I]). Si l'onduleur se met immédiatement hors fonction, débranchez chaque appareil ménager ou câble jusqu'à ce que l'onduleur reste en marche après la réinitialisation. Vérifiez la présence de connexions non désirées à l'appareil ménager ou au câble. Faites réparer ou remplacez l'appareil ménager ou le câble défectueux, au besoin. |

PROBLÈME : Bourdonnement continu

| Raison | Solution |
|--|---|
| Tension d'entrée inférieure à 10,5 volts. | Maintenir la tension d'entrée supérieure à 10,5 volts. |
| Batterie faible ou en mauvais état | Recharger ou changer la batterie |
| Câble mal relié | Examiner les bornes et resserrer toutes les connexions. |
| Puissance inadéquate transmise à l'onduleur ou chute de tension trop importante. | Utiliser de plus gros câbles de CC. Utiliser des câbles les plus courts possible |

Garantie Limitée de WAGAN Corporation

La garantie de WAGAN Corporation est limitée aux produits vendus uniquement aux États-Unis.

Durée de la garantie :

Le produit est garanti à l'acheteur original pour une période de deux (2) années à compter de la date d'achat originale, de toute défectuosité de matériau ou de main d'œuvre. WAGAN Corporation décline toute responsabilité pour tout dommage conséquent. En aucun cas, WAGAN Corporation ne sera responsable pour tout montant en dommage supérieur au montant payé pour le produit au prix de détail.

Garantie de performance:

Pendant la période de garantie, un produit défectueux sera remplacé par un modèle comparable lorsque le produit est retourné à WAGAN Corporation avec un reçu original du magasin. WAGAN Corporation remplacera ou réparera, à sa discrétion, la pièce défectueuse. Le produit de remplacement sera garanti pour le reste de la période originale de garantie. Cette garantie ne s'applique à aucune unité qui a été utilisée contrairement aux instructions écrites fournies.

Limitations de la garantie :

Cette garantie remplace toute garantie explicite ou implicite et aucun représentant ou personne n'est autorisé à assumer toute autre responsabilité en lien avec la vente ou les produits. Les réclamations ne sont pas valides pour la défectuosité ou la défaillance de fonctionnement ou la défaillance du produit sous tout autre principe de droit ou d'équité, contrat ou loi commerciale, incluant mais non limité, à la négligence, grossière négligence, responsabilité absolue, bris de garantie et bris de contrat.

Retours :

WAGAN Corporation n'est pas responsable pour tout article retourné sans un numéro de renvoi officiel (N° RA). Veuillez contacter notre service à la clientèle par téléphone ou par courriel pour obtenir un N° RA. Vous pouvez également visiter notre site Web et clavarder avec un membre de notre équipe pendant nos heures d'ouverture. Pour obtenir plus de détails et des instructions pour faire une réclamation couverte pas la garantie, veuillez lire la section « Retour » dans la page « Contact » de notre site Web. WAGAN Corporation n'est pas responsable pour tout frais d'expédition pour le renvoi de tout article à notre entreprise pour réparation ou remplacement.

Enregistrez votre produit en ligne à : <http://tinyurl.com/wagan-registration> pour être ajouté à notre liste d'envoi. Vous recevrez les aperçus sur nos produits, promotions et événements.