



Lion Safari™

User Manual

Lithium Iron Phosphate Solar Generator





READ THIS MANUAL IN ITS ENTIRETY BEFORE OPERATING THE LION SAFARI.

The Lion Safari provides safe, silent, and renewable electric power. The Lion Safari is useful in emergencies, work, and play.

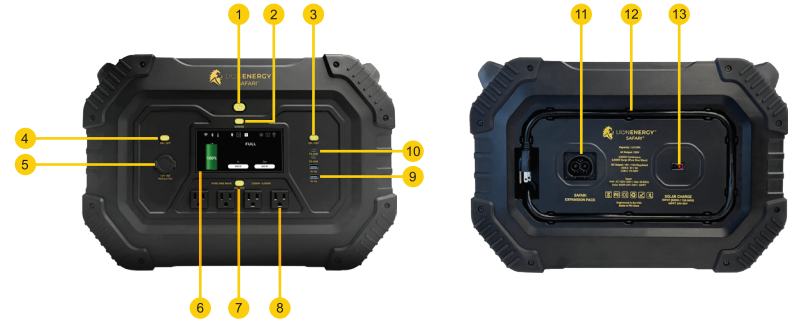
It is very important to read the entire user manual before using the Lion Safari. Carefully read and follow these safety guidelines:

- For better performance, fully charge the Lion Safari before using it.
- Do not put foreign objects into any of the Lion Safari's outlets.
- We recommend Lion Energy accessories for best performance.
- Do not use the Lion Safari if the cables or charging adapters show signs of damage.
- Never alter the Lion Safari, cables or accessories.
- Do not allow water to contact the Lion Safari or immerse it in water.
- Do not use the Lion Safari in the presence of flammable liquids, gases, or excessive dust.
- Do not expose or store the Lion Safari in excessive heat (above 115° F).
- Do not leave the Lion Safari out in direct sunlight in higher temperatures.
- Store the Lion Safari at temperatures from 14-115°F (ideally, 32°-86°F).
- Charge the Lion Safari at temperatures from 32°-114°F.
- Never charge a frozen Lion Safari. Let it warm up to above freezing before charging it.
- Do not leave the Lion Safari unattended while charging.

Package Contents

Lion Safari solar generator with built-in AC wall charger (800W).

Part Identification



Part	
1	Safari Main Power Button
2	Screen ON / OFF Button
3	USB Output ON / OFF Button
4	12V "Cigarette Lighter" ON / OFF Button
5	12V "Cigarette Lighter" Output
6	LCD Display
7	AC Output ON / OFF Button
8	(4X) AC Output Socket
9	(2X) USB Outputs, 5V @ 3A
10	(2X) USB 3.0, QC, and PD Outputs
11	Safari-XP Connection (Expansion Battery, Sold Separately)
12	Built-in Power Cord for AC Charging
13	Solar Panel Charge Connection

How to Use the Power Unit

1. Press and hold the Main Power Button to turn the Lion Safari on. The display will light up.
2. Press the USB, 12V, or AC on/off button to turn the corresponding outlets on. The Lion Safari will supply power to those specific outlets.
3. Press the USB, 12V, or AC on/off button to turn the corresponding outlets off.

**When you stop needing or using power, turn off the corresponding on/off button to conserve energy in the Lion Safari.*

How to charge the Lion Safari

The Lion Safari includes over-voltage, low-voltage overload, short circuit, and over-temperature protections. It also has built-in visual and audio alarms. Waiting or shutting the Lion Safari off and then back on again will resolve most errors. The overload circuitry will protect against damage to the Lion Safari and will also serve as a safety measure for anyone using the Lion Safari.

Charge from a wall outlet

Insert the attached cord into a working electrical outlet.

**Note: The Lion Safari will charge from the wall when it is plugged in – even if it is not turned on.*

Charge from our L100 24V 100W solar panel

Insert the Anderson™ compatible end of the longer cord (attached to the back of the solar panel) into the corresponding Anderson™ compatible input port on the back of the Lion Safari (red to red and black to black connection). The solar panel must be outside in direct sunlight.

Optional – You can attach one of our Anderson™ compatible 25' extension cables between the solar panel and the Lion Safari. The end of the cable with the attached white warning label needs to connect to the longer cord on the back of the solar panel. The other end goes into the corresponding Anderson™ compatible input port on the Lion Safari (red to red and black to black connection).

**Note: The max solar input is 600W. This means that you can use multiple solar panels at the same time in order to charge the Lion Safari more quickly. Lion Energy panels are designed to connect multiple panels together, with one connecting to the next. The longer cable on the back of the panel connects to the Lion Safari. The shorter cable then connects to the longer cord of the next panel (always with a red to red and black to black connection). The last panel will have a short cord that is not connected to another longer cord, since there are no more panels to be connected.*

** Anderson™ is a registered trademark of the Anderson Power Products*

Maximum AC Power Output

The maximum continuous power output is 3,000W. If device power requirements exceed 3,000W, do not connect the device to this power unit.

Change the display mode

By default, once the main power is on the display is always on. To conserve power and place the display into “always-off” mode, press-and-hold the Screen button for five seconds. Press the **Screen** button again for five seconds to return to “always-on” mode.

Charge many types of devices

The Safari can power many types of devices, such as lights, mobile phones, laptops, and radios. The total number of devices that the Safari can support depends on the energy consumption of each device. Energy consumption is measured in watts (W). The Safari can supply power to multiple devices that require a total of 3,000W of energy or less.

Power supply duration

The duration of power supply depends on the energy consumption or watt usage of all connected devices. Lower total energy consumption will permit the power unit to supply power for more time. Here is a guideline for estimating the run time of a device: $\text{Watt Hours} / \text{Watts} = \text{Estimated Run Time}$. For example, if the device you want to power uses 36W and the power unit has 832Wh then the estimated run time would be $832 / 36 = 23.1$ hours. The main display also shows how long the device(s) you are charging will take to charge and how much energy is in the Safari.

Power devices while charging the Lion Safari

The Lion Safari and Safari-XP (sold separately) can be used while it is charging from the wall or solar panels.

Automatic shutoff

When all connected devices are no longer drawing power, the Safari will automatically turn off to conserve energy. *NOTE: To turn the Safari back on, press the main power button twice.*



Voltage Specifications Vary by Country

This Safari supplies power at 102-130V/45-65Hz. Consider this when connecting any devices to this power unit.

Connecting the optional Safari-XP (expansion pack)



The Safari-XP is a lithium iron phosphate (LiFePO₄) expansion battery pack, made specifically for the Lion Safari. The Safari-XP can be purchased separately or in a kit. The Safari-XP can be easily connected to the Safari and provides an additional 2,688Wh of stored energy. Simply plug in the connecting cable from the back of the XP into the port on the back of the Safari. To charge the Safari-XP, connect it to the Safari and charge the Safari as normal. Both the Safari and the XP will charge together. The LCD screen shows the capacity as one battery when both the Safari and XP are connected. Be aware, the XP cannot be charged separately.

Power devices while charging the Safari

The Lion Safari and Safari-XP can be used while it is charging from the wall or solar panels.

Frequently Asked Questions

1. What things can my Lion Safari run?

The Safari can power a large range of devices – from phones and lights to refrigerators and some power tools. (Depending on the tools, a soft start may be needed.) The Safari will be able to start and run devices requiring 3,000W or less.

2. How long will the Lion Safari power/run my device?

It depends. The less watts that your device uses, the longer the Safari will power your device. Devices with a heating element, like a hot plate, hair dryer, or space heater will use the Safari's energy more quickly. The formula to get a time estimate is $\text{Wh (watt hours)} / \text{W (watts)} = \text{Est. run time}$. A fully-charged Safari has 1612Wh. To estimate a device's run time that uses 400W, divide 1612Wh by 400W. This equals 4.03 hours – the device would run for about 4 hours before the Safari needs to be recharged. Keep in mind that using solar panels or the optional Safari-XP while you are running a device will change the run time.

3. Do I have to use the Lion Energy solar panels with the Lion Safari?

No, you can use other solar panels, however, solar panels must be >36V VMP (voltage maximum power) and < 60V VOC (voltage open current). The Safari is compatible with the L100 **24V Panel** from Lion Energy. This means that 12V panels cannot be used. Check the solar panels website for specifications.

Troubleshooting

- Q Why can't I power my device after I turn on the Safari?**
- A** Make sure that the corresponding on/off button is turned on. Also, remember that devices that require more than 3,000W cannot be powered by the Lion Safari.
- Q Why isn't my Lion Safari charging with Solar?**
- A** There are a few basic things to check. Make sure that your Lion Safari is not plugged into the wall when the solar panels are plugged in. It cannot charge from both places at once. Also, make sure that your solar panels are outside in bright, direct sunlight for the best energy input. The longer cable on the back of our 24V solar panels plugs directly into the back of the Safari (red to red and black to black connection). If you are using more than one panel, the short cord on the first panel connects to the longer extension cable, the end with the white warning label connects to the longer cord on the second panel (red to red and black to black connection). The other end of the extension cable plugs directly into the Anderson™ compatible input port on the back of the Safari. Visit our website to learn more about connecting the L100 24V solar panels to the Lion Safari.

For more troubleshooting tips or FAQ's please visit lionenergy.com

Maintenance Instruction

- Charge the Safari (and optional XP) after each use to ensure you have power whenever it is needed.
- When done charging the Safari from the wall or solar panels, unplug it.
- Do not completely discharge the Safari to help maintain the battery lifespan.
- Use a dry cloth to wipe away any dirt or debris from the Safari's surface and battery cords.
- Do not open the Safari as there are no user-serviceable parts. Any servicing should be performed by Lion Energy personnel.

Storage Instructions

- Charge the Safari (and optional XP) to full capacity before storing.
- Store the Safari at room temperature (recommendations on page 2).
- For best results, use and recharge the Safari at least once every six months. We recommend using it more often than that. This helps to maintain the battery's lifespan and become familiar with it before an emergency happens.

Recycling

The Safari contains a lithium iron phosphate (LiFePO₄) battery. Please recycle properly.

Technical Specifications

AC Output Parameters	Rated Power / Surge	3,000W / 6,000W
	Efficiency	> 88%
	Output wave	Pure sine wave
Battery Parameters	Battery type	Lithium Iron Phosphate (LiFePO4)
	Maximum capacity	1,612Wh
	Safari XP Capacity (Sold Separately)	2,688Wh
Battery Charge Times	Safari AC / Solar	~2.3 hours / ~2.7 hours
	Safari + XP AC / Solar	~6 hours / ~7.1 hours
Solar Charge Parameters	Maximum charge power	600W max
	Solar panel charge range	24 - 60VDC, solar panel must be >36VMP <60VOC
	Maximum charge current	25A
	Solar charger type	MPPT
AC Charge Input Parameters	Maximum charge power	800W
	Charge voltage range	102 - 130VAC
	Charge frequency range	45 - 65Hz
DC output Parameters	DC output voltage	12VDC regulated
	12V or socket	15A regulated
	USB-A (2)	5V, 3A / 9V, 2A / 12V, 1.5A (each)
	USB-C (2)	60W, PD 60W / QC 3.0 (each)
Life Cycles	Safari	3,500+
	Safari-XP (sold separately)	3,500+

Warranty Claims

For warranty issues, contact customer service by emailing info@lionenergy.com or by calling 1-385-375-8191. Do not ship the Safari until you receive a return merchandise authorization (RMA) number. Lion Energy will not be responsible for any shipping or handling damage. Replacements will not be sent out until the original Safari is en-route to a Lion Energy warehouse.

Limited Warranty

The Lion Safari comes with five year limited warranty from defects in materials and workmanship. Save proof of purchase, such as a dated receipt, to establish warranty period. Without a dated receipt, we will use the manufacturing dated code. Lion Energy will repair or replace the Safari at our discretion upon inspection.

This warranty is invalidated if any of the following occurs, but not limited to:

- Failure to follow the instructions in the User’s Manual.
- Accidental or unreasonable use, misuse or mishandling.
- Overcharging or overloading.
- Extended storage without recharging.
- Repairs by an unauthorized person or modification.

This warranty is in lieu of other express warranties. Lion Energy will not be liable for consequential or incidental damages. Changes or modifications not expressly approved by Lion Energy could void the user’s authority to operate this device.

NOTE: This equipment has been tested and found to comply with the limits for a Class B digital device, pursuant to part 15 of the FCC Rules. Operation is subject to the following two conditions:

(1) This device may not cause harmful interference, and (2) this device must accept any interference received, including interference that may cause undesired operation. These limits are designed to provide reasonable protection against harmful interference in a residential installation. This equipment generates, uses, and can radiate radio frequency energy and, if not installed and used in accordance with the instructions, may cause harmful interference to radio communications. However, there is no guarantee that interference will not occur in a particular installation. If this equipment does cause harmful interference to radio or television reception, which can be determined by turning the equipment off and on, the user is encouraged to try to correct the interference by one or more of the following measures:

- Reorient or relocate the receiving antenna.
- Increase the separation between the equipment and receiver.
- Connect the equipment into an outlet on a circuit different from that of the receiver.
- Consult the dealer or an experienced radio/TV technician for help.



LEA ESTE MANUAL EN SU TOTALIDAD ANTES DE OPERAR EL LION SAFARI.

El Lion Safari proporciona energía eléctrica segura, silenciosa y renovable. El Lion Safari es útil en situaciones de emergencia, trabajo y entretenimiento.

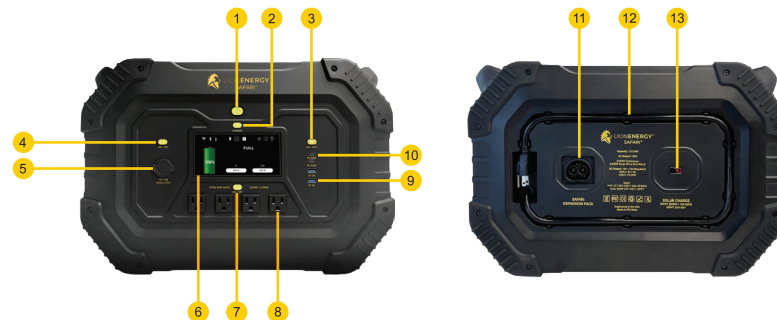
Es muy importante leer el manual de usuario completo antes de usar el Lion Safari. Lea y siga cuidadosamente estas pautas de seguridad:

- Para un mejor rendimiento, cargue completamente el Lion Safari antes de usarlo.
- No introduzca objetos extraños en ninguno de los enchufes del Lion Safari.
- Recomendamos utilizar accesorios de Lion Energy para obtener el mejor rendimiento.
- No utilice el Lion Safari si los cables o adaptadores de carga muestran signos de daño.
- Nunca modifique el Lion Safari, los cables o los accesorios.
- No permita que el agua entre en contacto con el Lion Safari ni lo sumerja en agua.
- No utilice el Lion Safari en presencia de líquidos inflamables, gases o polvo en exceso.
- No exponga ni almacene el Lion Safari en calor excesivo (por encima de 115° F).
- No deje el Lion Safari expuesto a la luz solar directa a altas temperaturas.
- Almacene el Lion Safari a temperaturas entre 14 y 115° F (idealmente, entre 32° y 86° F).
- Cargue el Lion Safari a temperaturas entre 32° y 114° F.
- Nunca cargue un Lion Safari congelado. Deje que se descongele por encima del punto de congelación antes de cargarlo.
- No deje el Lion Safari sin supervisión mientras se está cargando.

Contenido del paquete

Generador solar Lion Safari con cargador de pared AC incorporado (800W).

Identificación de las piezas



Parte	
1	Botón principal de encendido del Safari
2	Botón de encendido/apagado de la pantalla
3	Botón de encendido/apagado de la salida USB
4	Botón de encendido/apagado del encendedor de 12V
5	Salida del encendedor de 12V
6	Pantalla LCD
7	Botón de encendido/apagado de la salida de AC
8	(4X) Toma de salida de AC
9	(2X) Salidas USB, 5V a 3A
10	(2X) Salidas USB 3.0, QC y PD
11	Conexión Safari-XP (Batería de expansión, se vende por separado)
12	Cable de alimentación incorporado para cargar AC
13	Conexión de carga de panel solar

Cómo usar la unidad de energía

Presiona y mantén presionado el botón principal de encendido para encender el Lion Safari. La pantalla se iluminará.

Presiona el botón de encendido/apagado de USB, 12V o AC para encender las salidas correspondientes. El Lion Safari suministrará energía a esas salidas específicas.

Presiona el botón de encendido/apagado de USB, 12V o AC para apagar las salidas correspondientes.

**Cuando dejes de necesitar o utilizar energía, apaga el botón de encendido/apagado correspondiente para conservar energía en el Lion Safari.*

Cómo cargar el Lion Safari

El Lion Safari incluye protecciones contra sobretensión, bajo voltaje, sobrecarga, cortocircuito y sobrecalentamiento. También cuenta con alarmas visuales y auditivas incorporadas. Esperar o apagar y luego encender nuevamente el Lion Safari resolverá la mayoría de los errores. La circuitería de sobrecarga protegerá contra daños al Lion Safari y también servirá como medida de seguridad para cualquier persona que lo utilice.

Cargar desde un enchufe de pared

- Inserta el cable adjunto en un enchufe eléctrico que funcione.

**Nota: Nota: El Lion Safari se cargará desde la pared cuando esté enchufado, incluso si no está encendido. Cargar desde nuestro panel solar L100 de 24V y 100W*

Cargar desde nuestro panel solar L100 de 24V y 100W

- Inserta el extremo compatible con Anderson™ del cable más largo (adjunto en la parte posterior del panel solar) en el puerto de entrada correspondiente compatible con Anderson™ en la parte trasera del Lion Safari (conexión roja con roja y negra con negra). El panel solar debe estar en el exterior, bajo la luz solar directa.
- *Opcional: puedes conectar uno de nuestros cables de extensión de 25 pies compatibles con Anderson™ entre el panel solar y el Lion Safari. El extremo del cable con la etiqueta de advertencia blanca debe conectarse al cable más largo en la parte trasera del panel solar. El otro extremo se conecta al puerto de entrada correspondiente compatible con Anderson™ en el Lion Safari (conexión roja con roja y negra con negra).*

**Nota: La entrada máxima de energía solar es de 600W. Esto significa que puedes usar varios paneles solares al mismo tiempo para cargar el Lion Safari más rápidamente. Los paneles de Lion Energy están diseñados para conectar varios paneles juntos, uno conectado al siguiente. El cable más largo en la parte posterior del panel se conecta al Lion Safari. Luego, el cable más corto se conecta al cable más largo del siguiente panel (siempre con conexión roja con roja y negra con negra). El último panel tendrá un cable corto que no se conecta a otro cable más largo, ya que no hay más paneles que conectar.*

Anderson™ es una marca registrada de Anderson Power Products.



Salida máxima de energía de CA

La potencia máxima de salida continua es de 3,000W. Si los requisitos de potencia del dispositivo superan los 3,000W, no conecte el dispositivo a esta unidad de energía.

Cambiar el modo de visualización

Por defecto, una vez que la alimentación principal está encendida, la pantalla está siempre encendida. Para conservar energía y poner la pantalla en modo "siempre apagada", presiona y mantén presionado el botón de pantalla durante cinco segundos. Presiona nuevamente el botón de pantalla durante cinco segundos para volver al modo "siempre encendido"

Cargar varios tipos de dispositivos

El Safari puede alimentar muchos tipos de dispositivos, como luces, teléfonos móviles, computadoras portátiles y radios. El número total de dispositivos que el Safari puede soportar depende del consumo de energía de cada dispositivo. El consumo de energía se mide en vatios (W). El Safari puede suministrar energía a varios dispositivos que requieran un total de 3,000W de energía o menos.

Duración de la fuente de energía

La duración de la fuente de energía depende del consumo de energía o el uso en vatios de todos los dispositivos conectados. Un menor consumo total de energía permitirá que la unidad de energía suministre energía durante más tiempo. Aquí tienes una guía para estimar el tiempo de funcionamiento de un dispositivo: Horas de vatio / Vatios = Tiempo estimado de funcionamiento. Por ejemplo, si el dispositivo que deseas alimentar utiliza 36W y la unidad de energía tiene 832Wh, entonces el tiempo estimado de funcionamiento sería de $832 / 36 = 23.1$ horas. La pantalla principal también muestra cuánto tiempo llevará cargar el o los dispositivos que estás cargando y cuánta energía queda en el Safari.

Alimentar dispositivos mientras se carga el Lion Safari

El Lion Safari y el Safari-XP (se venden por separado) se pueden utilizar mientras se cargan desde la pared o paneles solares.

Apagado automático

Cuando todos los dispositivos conectados dejan de consumir energía, el Safari se apagará automáticamente para conservar energía. NOTA: Para encender el Safari nuevamente, presiona el botón principal de encendido dos veces.



Las especificaciones de voltaje varían según el país.

Este Safari suministra energía a 102-130V/45-65Hz. Tenlo en cuenta al conectar cualquier dispositivo a esta unidad de energía.

Conexión del Safari-XP opcional (pack de expansión)



- El Safari-XP es un paquete de batería de expansión de fosfato de hierro y litio (LiFePO4), diseñado específicamente para el Lion Safari. El Safari-XP se puede adquirir por separado o en un kit. El Safari-XP se puede conectar fácilmente al Safari y proporciona una energía adicional de 2688Wh almacenada. Simplemente conecta el cable de conexión desde la parte trasera del XP al puerto en la parte trasera del Safari. Para cargar el Safari-XP, conéctalo al Safari y cárgalo como de costumbre. Tanto el Safari como el XP se cargarán juntos. La pantalla LCD muestra la capacidad como una sola batería cuando el Safari y el XP están conectados. Ten en cuenta que el XP no se puede cargar por separado.

Alimenta dispositivos mientras cargas el Safari

El Lion Safari y el Safari-XP se pueden utilizar mientras se están cargando desde la pared o los paneles solares.

Preguntas frecuentes

¿Qué dispositivos puede alimentar mi Lion Safari?

El Safari puede alimentar una amplia gama de dispositivos, desde teléfonos y luces hasta refrigeradores y algunas herramientas eléctricas. (Dependiendo de las herramientas, es posible que se necesite un arranque suave). El Safari podrá encender y hacer funcionar dispositivos que requieran 3,000W o menos.

¿Cuánto tiempo podrá alimentar mi Lion Safari mi dispositivo?

Depende. Cuantos menos vatios use tu dispositivo, más tiempo el Safari lo alimentará. Los dispositivos con un elemento calefactor, como una plancha eléctrica, un secador de cabello o un calentador de espacio, usarán la energía del Safari más rápidamente. La fórmula para obtener una estimación de tiempo es $\text{Wh (vatios-hora)} / \text{W (vatios)} = \text{Tiempo estimado de funcionamiento}$. Un Safari completamente cargado tiene 1612Wh. Para estimar el tiempo de funcionamiento de un dispositivo que utiliza 400W, divide 1612Wh por 400W. Esto equivale a 4.03 horas; el dispositivo funcionaría durante aproximadamente 4 horas antes de que el Safari necesite recargarse. Ten en cuenta que el uso de paneles solares o el Safari-XP opcional mientras estás utilizando un dispositivo cambiará el tiempo de funcionamiento.

¿Debo usar los paneles solares de Lion Energy con el Lion Safari?

No, puedes usar otros paneles solares, sin embargo, los paneles solares deben tener un VMP (voltaje de máxima potencia) mayor a 36V y un VOC (voltaje de circuito abierto) menor a 60V. El Safari es compatible con el panel L100 de 24V de Lion Energy. Esto significa que no se pueden usar paneles de 12V. Consulta el sitio web de los paneles solares para conocer las especificaciones.

Solución de problemas

- Q ¿Por qué no puedo alimentar mi dispositivo después de encender el Safari?**
- A** Asegúrate de que el botón de encendido/apagado correspondiente esté encendido. Además, recuerda que los dispositivos que requieren más de 3,000W no pueden ser alimentados por el Lion Safari.
- Q ¿Por qué mi Lion Safari no se carga con energía solar?**
- A** Hay algunas cosas básicas que debes verificar. Asegúrate de que tu Lion Safari no esté enchufado en la pared cuando los paneles solares estén conectados. No puede cargar desde ambos lugares al mismo tiempo. Además, asegúrate de que tus paneles solares estén afuera, recibiendo luz solar directa para obtener la mejor entrada de energía. El cable largo en la parte posterior de nuestros paneles solares de 24V se conecta directamente en la parte posterior del Safari (conexión roja con roja y negra con negra). Si estás utilizando más de un panel, el cable corto del primer panel se conecta al cable de extensión más largo, el extremo con la etiqueta de advertencia blanca se conecta al cable más largo del segundo panel (conexión roja con roja y negra con negra). El otro extremo del cable de extensión se conecta directamente al puerto de entrada compatible con Anderson™ en la parte posterior del Safari. Visita nuestro sitio web para obtener más información sobre cómo conectar los paneles solares L100 de 24V al Lion Safari.

Para obtener más consejos de solución de problemas o preguntas frecuentes, visita lionenergy.com.

Instrucciones de mantenimiento

Carga el Safari (y el XP opcional) después de cada uso para asegurarte de tener energía cuando la necesites.

Cuando hayas terminado de cargar el Safari desde la pared o paneles solares, desconéctalo.

No descargues completamente el Safari para ayudar a mantener la vida útil de la batería.

Utiliza un paño seco para limpiar cualquier suciedad o residuo de la superficie del Safari y de los cables de la batería.

No abras el Safari ya que no hay piezas que el usuario pueda reparar. Cualquier servicio debe ser realizado por personal de Lion Energy.

Instrucciones de almacenamiento

Carga el Safari (y el XP opcional) a plena capacidad antes de almacenarlo.

Almacena el Safari a temperatura ambiente (recomendaciones en la página 2).

Para obtener mejores resultados, utiliza y recarga el Safari al menos una vez cada seis meses. Recomendamos usarlo con mayor frecuencia que eso. Esto ayuda a mantener la vida útil de la batería y a familiarizarse con ella antes de que ocurra una emergencia.

Reciclaje

El Safari contiene una batería de fosfato de hierro y litio (LiFePO4). Por favor, recíclalo adecuadamente.

Technical Specifications

Parámetros de salida de AC	Potencia nominal / Sobretensión	3,000W / 6,000W
	Eficiencia	> 88%
	Onda de salida	Onda sinusoidal pura
Parámetros de la batería	Battery type	Lithium Iron Phosphate (LiFePO4)
	Capacidad máxima	1,612Wh
	Capacidad del Safari XP (se vende por separado)	2,688Wh
Tiempos de carga de la batería	Safari AC / Solar	~2.3 hours / ~2.7 hours
	Safari + XP AC / Solar	~6 hours / ~7.1 hours
Parámetros de carga solar	Potencia máxima de carga	600W max
	Rango de carga de paneles solares	24 - 60VDC, solar panel must be >36VMP <60VOC
	Corriente de carga máxima	25A
	Tipo de cargador solar	MPPT
Parámetros de entrada de carga de AC	Potencia máxima de carga	800W
	Rango de voltaje de carga	102 - 130VAC
	Rango de frecuencia de carga	45 - 65Hz

Parámetros de salida de DC	Voltaje de salida de DC	12VDC regulated
	12V o enchufe	15A regulated
	USB-A (2)	5V, 3A / 9V, 2A / 12V, 1.5A (each)
	USB-C (2)	60W, PD 60W / QC 3.0 (each)
Ciclos de vida	Safari	3,500+
	Safari-XP (se vende por separado)	3,500+

Derechos de autor

Este material está protegido por la Ley Federal de US. Ninguna parte de esta publicación es reproducible, en cualquier forma o por cualquier medio, electrónico o mecánico, incluyendo la fotocopia, sin el permiso expreso por escrito de Lion Energy.

Lion Energy se reserva todos los derechos para realizar modificaciones técnicas sin previo aviso y para mejorar las normas de maquinaria y seguridad.

Este manual tiene como objetivo proporcionar información, especificaciones e instrucciones de uso. Todas las declaraciones, información y sugerencias en este manual no constituyen ninguna garantía expresa o implícita.

Reclamaciones de garantía

Para problemas de garantía, ponte en contacto con el servicio al cliente enviando un correo electrónico a info@lionenergy.com o llamando al 1-385-375-8191. No envíes el Safari hasta que recibas un número de autorización de devolución de mercancía (RMA, por sus siglas en inglés). Lion Energy no se hará responsable de ningún daño durante el envío o manejo. Los reemplazos no se enviarán hasta que el Safari original esté en camino a un almacén de Lion Energy.

Garantía limitada

El Lion Safari está respaldado por una garantía limitada de cinco años contra defectos de materiales y mano de obra. Guarda el comprobante de compra, como un recibo con fecha, para establecer el período de garantía. Sin un recibo con fecha, utilizaremos la fecha de fabricación como referencia. Lion Energy reparará o reemplazará el Safari a nuestra discreción tras una inspección.

Esta garantía queda anulada si ocurre alguno de los siguientes casos, entre otros:

- No seguir las instrucciones del Manual del Usuario.
- Uso accidental o inadecuado, abuso o mal manejo.
- Sobrecarga o sobrecarga.
- Almacenamiento prolongado sin recarga.
- Reparaciones realizadas por una persona no autorizada o modificaciones.

Esta garantía sustituye a otras garantías expresas. Lion Energy no será responsable de daños consecuentes o incidentales. Cambios o modificaciones no expresamente aprobados por Lion Energy podrían invalidar la autoridad del usuario para operar este dispositivo.

NOTA: Este equipo ha sido sometido a pruebas y se ha determinado que cumple con los límites para un dispositivo digital de Clase B, de acuerdo con la Parte 15 de las Reglas de la FCC. Su funcionamiento está sujeto a las siguientes dos condiciones:

(1) Este dispositivo no debe causar interferencias perjudiciales y (2) este dispositivo debe aceptar cualquier interferencia recibida, incluyendo interferencias que puedan causar un funcionamiento no deseado. Estos límites están diseñados para proporcionar una protección razonable contra interferencias perjudiciales en una instalación residencial. Este equipo genera, utiliza y puede emitir energía de radiofrecuencia y, si no se instala y utiliza de acuerdo con las instrucciones, puede causar interferencias perjudiciales en las comunicaciones de radio. Sin embargo, no se garantiza que no ocurrirán interferencias en una instalación particular. Si este equipo causa interferencias perjudiciales en la recepción de radio o televisión, lo cual se puede determinar apagando y encendiendo el equipo, se recomienda al usuario intentar corregir la interferencia mediante una o más de las siguientes medidas:

- Reoriente o reubique la antena receptora.
- Aumente la separación entre el equipo y el receptor.
- Conecte el equipo a un enchufe en un circuito diferente al del receptor.
- Consulte al distribuidor o a un técnico de radio/TV experimentado para obtener ayuda.



LISEZ CE MANUEL INTÉGRALEMENT AVANT D'UTILISER LE LION SAFARI.

Le Lion Safari fournit une électricité sûre, silencieuse et renouvelable. Le Lion Safari est utile en cas d'urgence, au travail et pour les loisirs.

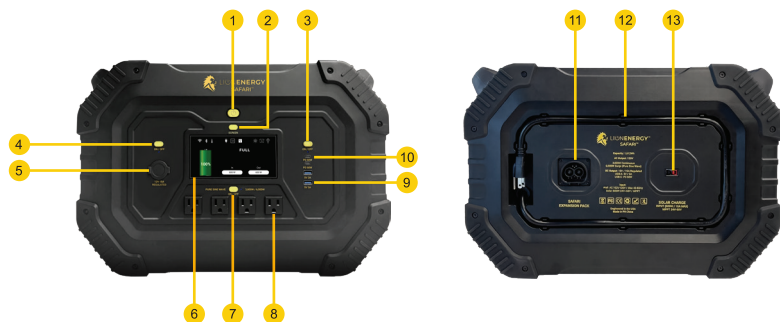
Il est très important de lire l'intégralité du manuel d'utilisation avant d'utiliser le Lion Safari. Lisez attentivement et suivez ces consignes de sécurité:

- Pour de meilleures performances, chargez complètement le Lion Safari avant de l'utiliser.
- Ne mettez aucun objet étranger dans l'une des prises du Lion Safari.
- Nous recommandons les accessoires Lion Energy pour de meilleures performances.
- N'utilisez pas le Lion Safari si les câbles ou les adaptateurs de charge présentent des signes de dommages.
- Ne modifiez jamais le Lion Safari, les câbles ou les accessoires.
- N'autorisez pas l'eau à entrer en contact avec le Lion Safari ni à le plonger dans l'eau.
- N'utilisez pas le Lion Safari en présence de liquides inflammables, de gaz ou de poussières excessives.
- N'exposez pas le Lion Safari à une chaleur excessive (au-dessus de 115° F).
- Ne laissez pas le Lion Safari à l'extérieur en plein soleil par temps très chaud.
- Rangez le Lion Safari à des températures de 14 à 115°F (idéalement, entre 32° et 86°F).
- Chargez le Lion Safari à des températures de 32° à 114°F.
- Ne chargez jamais un Lion Safari gelé. Laissez-le dégeler jusqu'à ce qu'il soit au-dessus de zéro avant de le charger.
- Ne laissez pas le Lion Safari sans surveillance pendant la charge.

Contenu de l'emballage

Générateur solaire Lion Safari avec chargeur mural AC intégré (800W).

Identification des pièces



Part	
1	Bouton principal d'alimentation Safari
2	Bouton d'allumage / extinction de l'écran
3	Bouton de mise en marche / arrêt de la sortie USB
4	Bouton de mise en marche / arrêt 12V 'Allume-cigare'
5	Sortie 12V 'Allume-cigare'
6	Affichage LCD
7	Bouton de mise en marche / arrêt de la sortie AC
8	(4X) Prises de sortie AC
9	(2X) Sorties USB, 5V @ 3A
10	(2X) Sorties USB 3.0, QC et PD
11	Connexion Safari-XP (batterie d'extension, vendue séparément)
12	Cordon d'alimentation intégré pour la charge AC
13	Connexion de charge du panneau solaire

Comment utiliser l'unité d'alimentation

1. Appuyez et maintenez enfoncé le bouton d'alimentation principal pour allumer le Lion Safari. L'écran s'allumera.
2. Appuyez sur le bouton marche/arrêt USB, 12V ou AC pour activer les prises correspondantes. Le Lion Safari fournira de l'énergie à ces prises spécifiques.
3. Appuyez sur le bouton marche/arrêt USB, 12V ou AC pour éteindre les prises correspondantes.

**Lorsque vous n'avez plus besoin d'électricité ou que vous cessez de l'utiliser, éteignez le bouton marche/arrêt correspondant pour économiser de l'énergie dans le Lion Safari.*

Comment charger le Lion Safari

Le Lion Safari comprend des protections contre les surtensions, les sous-tensions, les surcharges, les courts-circuits et la surtempérature. Il est également équipé d'alarmes visuelles et sonores intégrées. Attendez ou éteignez puis rallumez le Lion Safari pour résoudre la plupart des erreurs. Le circuit de surcharge protégera le Lion Safari contre les dommages et servira également de mesure de sécurité pour toute personne utilisant le Lion Safari.

Chargez depuis une prise murale

- Insérez le cordon attaché dans une prise électrique en fonctionnement.

**Remarque : Le Lion Safari se chargera depuis la prise murale lorsqu'il est branché, même s'il n'est pas allumé.*

Chargez depuis notre panneau solaire L100 24V 100W

- Insérez l'extrémité compatible Anderson™ du cordon plus long (attachée à l'arrière du panneau solaire) dans le port d'entrée correspondant compatible Anderson™ à l'arrière du Lion Safari (connexion rouge à rouge et noire à noire). Le panneau solaire doit être à l'extérieur en plein soleil.

Optionnel : Vous pouvez connecter l'un de nos câbles d'extension de 25 pieds compatibles Anderson™ entre le panneau solaire et le Lion Safari. L'extrémité du câble avec l'étiquette blanche attachée doit se connecter au cordon plus long à l'arrière du panneau solaire. L'autre extrémité se connecte au port d'entrée compatible Anderson™ correspondant sur le Lion Safari (connexion rouge à rouge et noire à noire).

**Remarque : L'entrée solaire maximale est de 600 W. Cela signifie que vous pouvez utiliser plusieurs panneaux solaires en même temps pour charger plus rapidement le Lion Safari. Les panneaux Lion Energy sont conçus pour connecter plusieurs panneaux ensemble, avec un raccordant au suivant. Le câble plus long à l'arrière du panneau se connecte au Lion Safari. Le câble plus court se connecte ensuite au cordon plus long du panneau suivant (toujours avec une connexion rouge à rouge et noire à noire). Le dernier panneau aura un cordon court qui n'est pas connecté à un autre cordon plus long, car il n'y a plus de panneaux à connecter."*

** Anderson™ est une marque déposée d'Anderson Power Products.*

Sortie de puissance CA maximale

La puissance de sortie maximale continue est de 3 000W. Si les besoins en puissance de l'appareil dépassent 3 000W, ne connectez pas l'appareil à cette unité d'alimentation.

Changer le mode d'affichage

Par défaut, une fois que l'alimentation principale est allumée, l'affichage reste toujours allumé. Pour économiser de l'énergie et mettre l'affichage en mode "toujours éteint", appuyez et maintenez le bouton Écran enfoncé pendant cinq secondes. Appuyez à nouveau sur le bouton Écran pendant cinq secondes pour revenir au mode "toujours allumé."

Alimenter de nombreux types d'appareils

Le Safari peut alimenter de nombreux types d'appareils, tels que des lampes, des téléphones mobiles, des ordinateurs portables et des radios. Le nombre total d'appareils que le Safari peut prendre en charge dépend de la consommation d'énergie de chaque appareil. La consommation d'énergie est mesurée en watts (W). Le Safari peut fournir de l'énergie à plusieurs appareils nécessitant un total de 3 000 W d'énergie ou moins.

Durée d'alimentation en énergie

La durée d'alimentation en énergie dépend de la consommation d'énergie ou de la puissance en watts de tous les appareils connectés. Une consommation d'énergie totale plus faible permettra à l'unité d'alimentation de fournir de l'énergie pendant plus longtemps. Voici un guide pour estimer la durée de fonctionnement d'un appareil : Watts-heures / Watts = Temps de fonctionnement estimé. Par exemple, si l'appareil que vous souhaitez alimenter consomme 36 W et que l'unité d'alimentation a une capacité de 832 Wh, alors le temps de fonctionnement estimé serait de $832 / 36 = 23,1$ heures. L'écran principal affiche également combien de temps il faudra pour charger les appareils que vous êtes en train de charger et combien d'énergie se trouve dans le Safari.

Alimenter des appareils pendant la charge du Lion Safari

Le Lion Safari et le Safari-XP (vendus séparément) peuvent être utilisés pendant leur charge depuis la prise murale ou les panneaux solaires.

Arrêt automatique

Lorsque tous les appareils connectés n'utilisent plus d'énergie, le Safari s'éteindra automatiquement pour économiser de l'énergie. **REMARQUE :** Pour rallumer le Safari, appuyez deux fois sur le bouton d'alimentation principal.

Les spécifications de tension varient selon le pays

Ce Safari fournit de l'énergie à une tension de 102-130V / 45-65 Hz. Tenez-en compte lorsque vous connectez des appareils à cette unité d'alimentation.

Connexion du Safari-XP optionnel (pack d'extension)



- Le Safari-XP est un pack de batterie d'expansion au phosphate de fer au lithium (LiFePO4), conçu spécifiquement pour le Lion Safari. Le Safari-XP peut être acheté séparément ou dans un kit. Le Safari-XP peut être facilement connecté au Safari et fournit une capacité de stockage d'énergie supplémentaire de 2 688 Wh. Il suffit de brancher le câble de connexion à l'arrière du XP dans le port à l'arrière du Safari. Pour charger le Safari-XP, connectez-le au Safari et chargez le Safari normalement. Le Safari et le XP se chargeront ensemble. L'écran LCD affiche la capacité comme une seule batterie lorsque le Safari et le XP sont connectés. Notez que le XP ne peut pas être chargé séparément.

Alimenter des appareils pendant la charge du Safari

Le Lion Safari et le Safari-XP peuvent être utilisés pendant leur charge depuis la prise murale ou les panneaux solaires.

Questions fréquemment posées

1. Quels appareils peut alimenter mon Lion Safari ?

Le Safari peut alimenter une large gamme d'appareils, des téléphones et des lampes aux réfrigérateurs et à certains outils électriques. (Selon les outils, un démarrage en douceur peut être nécessaire.) Le Safari peut démarrer et faire fonctionner des appareils nécessitant jusqu'à 3,000W.

2. Combien de temps mon Lion Safari pourra-t-il alimenter mon appareil ?

Cela dépend. Moins votre appareil consomme de watts, plus longtemps le Safari pourra l'alimenter. Les appareils avec un élément chauffant, comme une plaque chauffante, un sèche-cheveux ou un radiateur soufflant, consommeront l'énergie du Safari plus rapidement. La formule pour obtenir une estimation du temps est $Wh \text{ (watt-heures)} / W \text{ (watts)} = \text{Durée estimée de fonctionnement}$. Un Safari entièrement chargé a une capacité de 1,612Wh. Pour estimer la durée de fonctionnement d'un appareil qui consomme 400W, divisez 1,612Wh par 400W. Cela équivaut à 4,03 heures - l'appareil fonctionnerait pendant environ 4 heures avant que le Safari ne doive être rechargé. Gardez à l'esprit que l'utilisation de panneaux solaires ou du Safari-XP en option pendant que vous utilisez un appareil modifiera la durée de fonctionnement.

3. Dois-je utiliser les panneaux solaires de Lion Energy avec le Lion Safari ?

Non, vous pouvez utiliser d'autres panneaux solaires, cependant, les panneaux solaires doivent avoir une tension de $> 36V \text{ VMP}$ (tension maximale de puissance) et $< 60V \text{ VOC}$ (tension de circuit ouvert). Le Safari est compatible avec le panneau L100 24V de Lion Energy. Cela signifie que les panneaux de 12V ne peuvent pas être utilisés. Consultez le site Web des panneaux solaires pour obtenir les spécifications.

Dépannage

Q Pourquoi je ne peux pas alimenter mon appareil après avoir allumé le Safari?

A Assurez-vous que le bouton marche/arrêt correspondant est activé. De plus, n'oubliez pas que les appareils nécessitant plus de 3,000W ne peuvent pas être alimentés par le Lion Safari.

Q Pourquoi mon Lion Safari ne se charge-t-il pas avec l'énergie solaire?

A Il y a quelques éléments de base à vérifier. Assurez-vous que votre Lion Safari n'est pas branché au mur lorsque les panneaux solaires sont connectés. Il ne peut pas se charger à partir des deux endroits en même temps. De plus, assurez-vous que vos panneaux solaires sont à l'extérieur, exposés à une lumière solaire directe pour une meilleure entrée d'énergie. Le câble plus long à l'arrière de nos panneaux solaires 24V se branche directement à l'arrière du Safari (connexion rouge à rouge et noire à noire). Si vous utilisez plusieurs panneaux, le cordon court du premier panneau se connecte au câble d'extension plus long, l'extrémité avec l'étiquette d'avertissement blanche se connecte au cordon plus long du deuxième panneau (connexion rouge à rouge et noire à noire). L'autre extrémité du câble d'extension se branche directement dans le port d'entrée compatible Anderson™ à l'arrière du Safari. Visitez notre site web pour en savoir plus sur la connexion des panneaux solaires L100 24V au Lion Safari.

Instructions de maintenance

- Chargez le Safari (et l'XP optionnel) après chaque utilisation pour vous assurer d'avoir de l'énergie quand vous en avez besoin.
- Lorsque vous avez terminé de charger le Safari depuis une prise murale ou des panneaux solaires, débranchez-le.
- Ne déchargez pas complètement le Safari pour préserver la durée de vie de la batterie.
- Utilisez un chiffon sec pour essuyer toute saleté ou débris de la surface du Safari et des cordons de batterie.
- Ne tentez pas d'ouvrir le Safari, car il ne contient aucune pièce réparable par l'utilisateur. Toute intervention doit être effectuée par le personnel de Lion Energy

Instructions de stockage

- Chargez le Safari (et le XP optionnel) à pleine capacité avant de le stocker.
- Stockez le Safari à température ambiante (recommandations à la page 2).
- Pour de meilleurs résultats, utilisez et rechargez le Safari au moins une fois tous les six mois. Nous recommandons de l'utiliser plus fréquemment que cela. Cela contribue à maintenir la durée de vie de la batterie et à vous familiariser avec son fonctionnement avant qu'une situation d'urgence ne se produise.

Recyclage

Le Safari contient une batterie au phosphate de fer et de lithium (LiFePO4). Veuillez recycler correctement.

Pour plus de conseils de dépannage ou de FAQ, veuillez visiter lionenergy.com.

Spécifications Techniques

Paramètres de Sortie AC	Puissance nominale / Surtension	3,000W / 6,000W
	Efficacité	> 88%
	Onde de sortie	Onde sinusoïdale pure
Paramètres de la batterie	Type de batterie	Lithium Iron Phosphate (LiFePO4)
	Capacité maximale	1,612Wh
	Capacité Safari XP (Vendu Séparément)	2,688Wh
Temps de Charge de la Batterie	Solaire / AC du Safari	~2.3 hours / ~2.7 hours
	Solaire / AC du Safari + XP	~6 hours / ~7.1 hours
Paramètres de charge solaire	Puissance de charge maximale	600W max
	Plage de charge des panneaux solaires	24 - 60VDC, solar panel must be >36VMP <60VOC
	Courant de charge maximal	25A
	Type de chargeur solaire	MPPT
Paramètres d'entrée de charge AC	Puissance de charge maximale	800W
	Plage de tension de charge	102 - 130VAC
	Plage de fréquence de charge	45 - 65Hz
Paramètres de sortie DC	Tension de sortie DC	12VDC regulated
	Prise 12V ou douille	15A regulated
	USB-A (2)	5V, 3A / 9V, 2A / 12V, 1.5A (each)
	USB-C (2)	60W, PD 60W / QC 3.0 (each)
Cycle de vie	Safari	3,500+
	Safari-XP (Vendu séparément)	3,500+

Le droit d'auteur

Ce matériel est protégé par le droit d'auteur en vertu de la loi fédérale américaine. Aucune partie de cette publication ne peut être reproduite, sous quelque forme que ce soit, par quelque moyen que ce soit, électronique ou mécanique, y compris la photocopie, sans la permission écrite expresse de Lion Energy.

Lion Energy se réserve tous les droits pour apporter des modifications techniques sans préavis et pour améliorer les normes de machine et de sécurité.

Ce manuel a pour but de fournir des informations, des spécifications et des instructions d'utilisation. Toutes les déclarations, informations et suggestions contenues dans ce manuel ne constituent aucune garantie expresse ou implicite.

Réclamations de garantie

Pour toute question relative à la garantie, contactez le service client en envoyant un courriel à l'adresse info@lionenergy.com ou en appelant le 1-385-375-8191. Ne retournez pas le Safari tant que vous n'avez pas reçu un numéro d'autorisation de retour de marchandise (RMA). Lion Energy ne sera pas responsable des dommages liés à l'expédition ou à la manipulation. Les remplacements ne seront pas expédiés tant que le Safari original ne sera pas en route vers un entrepôt Lion Energy.

Garantie limitée

Le Lion Safari est assorti d'une garantie limitée de cinq ans contre les défauts de matériaux et de fabrication. Conservez une preuve d'achat, telle qu'un reçu daté, pour établir la période de garantie. En l'absence d'un reçu daté, nous utiliserons la date de fabrication. Lion Energy réparera ou remplacera le Safari à notre discrétion après inspection.

Cette garantie est invalide si l'une des situations suivantes se produit, sans s'y limiter:

- Non-respect des instructions du manuel de l'utilisateur.
- Utilisation accidentelle ou déraisonnable, mauvaise utilisation ou mauvaise manipulation.
- Surcharge ou surcharge.
- Entreposage prolongé sans recharge.
- Réparations effectuées par une personne non autorisée ou modification.

Cette garantie remplace toutes les autres garanties expresses. Lion Energy ne sera pas responsable des dommages indirects ou accessoires. Les modifications ou altérations non expressément approuvées par Lion Energy pourraient annuler l'autorisation de l'utilisateur à utiliser cet appareil.

REMARQUE : Cet équipement a été testé et s'est avéré conforme aux limites d'un dispositif numérique de Classe B, conformément à la Partie 15 des règles de la FCC. Son fonctionnement est soumis aux deux conditions suivantes:

(1) Cet appareil ne doit pas causer d'interférences nuisibles, et (2) cet appareil doit accepter toute interférence reçue, y compris les interférences susceptibles de provoquer un fonctionnement non désiré. Ces limites sont conçues pour offrir une protection raisonnable contre les interférences nuisibles dans une installation résidentielle. Cet équipement génère, utilise et peut émettre de l'énergie radiofréquence et, s'il n'est pas installé et utilisé conformément aux instructions, peut causer des interférences nuisibles aux communications radio. Cependant, il n'y a aucune garantie que des interférences ne se produiront pas dans une installation particulière. Si cet équipement provoque des interférences nuisibles à la réception radio ou télévision, ce qui peut être déterminé en éteignant et en rallumant l'équipement, l'utilisateur est encouragé à essayer de corriger les interférences en utilisant une ou plusieurs des mesures suivantes :

- Réorienter ou déplacer l'antenne de réception.
- Augmenter la distance entre l'équipement et le récepteur.
- Brancher l'équipement sur une prise d'un circuit différent de celui du récepteur.
- Consulter le revendeur ou un technicien radio/TV expérimenté pour obtenir de l'aide.