

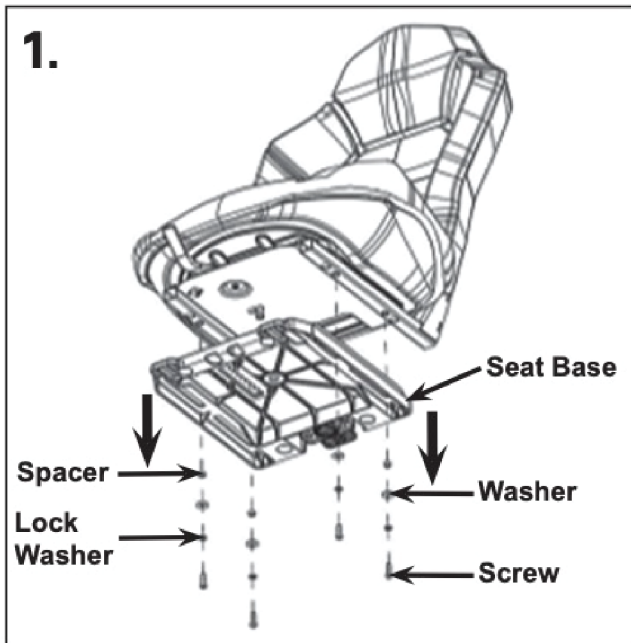
Bench Seat Installation

- 2014+ RZR 1000 XP and XP4

- 2016+ RZR Turbo, Turbo S

Fits front or rear

1.

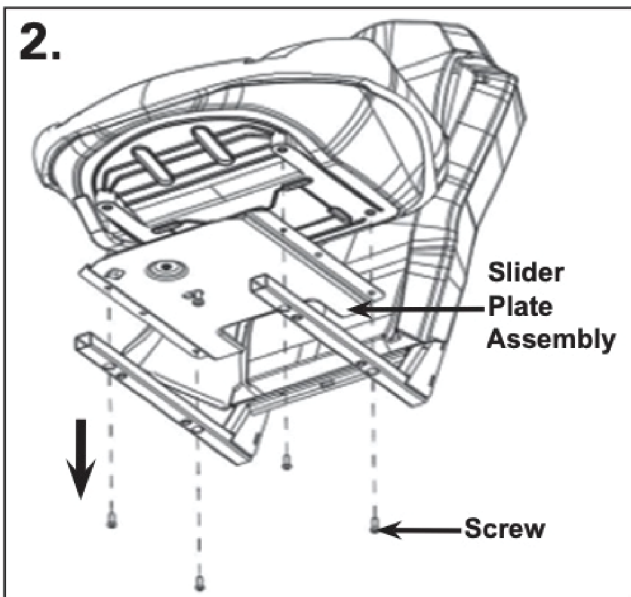


1. Remove stock seat base

Using a T-27 torx bit, remove plastic seat base by removing four screws, four spacers and relevant washers.

IMPORTANT: Retain hardware for reinstallation.

2.



2. Remove stock seat slider

Using a T-27 torx bit, remove the seat slider plate assembly from the stock seat by removing the 4 screws. Discard stock seat back and bottom cushion.

IMPORTANT: Retain hardware for reinstallation.

You will not need the slider plate assembly. Rear seats and most passenger seats do not have the slider plate assembly

Skip to the next page if you have a slider plate on both plastic seat bases and would like your seats to slide

Any Questions?

Monday-Friday 8am-3pm PST

(714) 321-5107

24/7

info@aces-racing.com

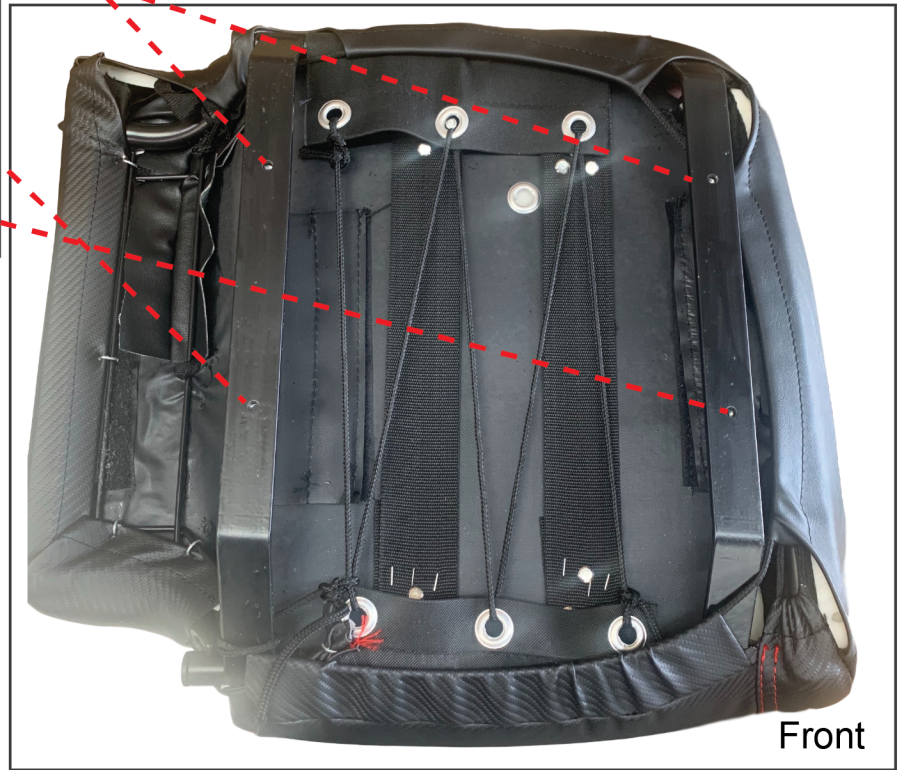
3.



Front

3. Mount stock seat base

Using the hardware that was removed from the stock seat base, mount the split bench to the stock seat base at your desired position.



Front

4.



4. Attach pull strap

Using the included Hardware mount the metal bracket (pictured) to the plastic release mount from your stock seat base. The hardware for the release strap should be taped to the plastic on the seats.