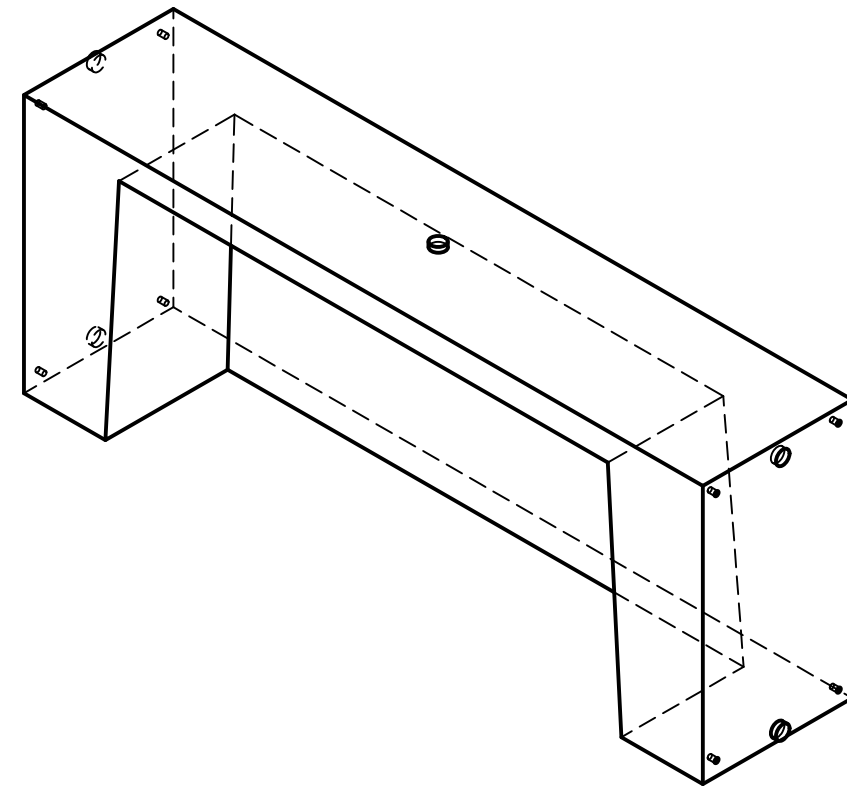
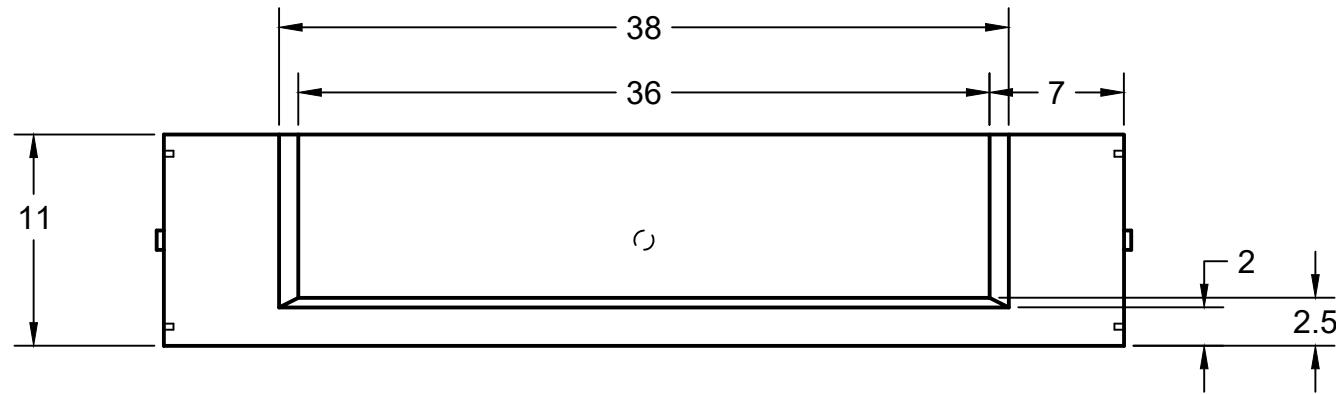
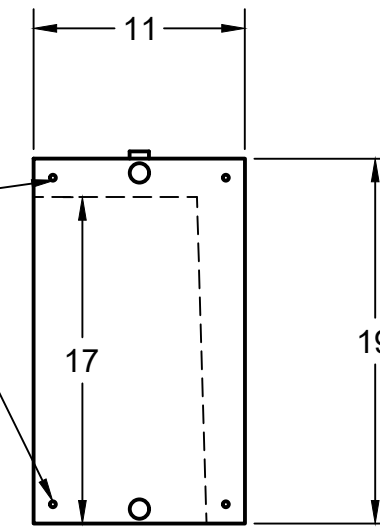


1" FNPT
TYP

5/16" -18 THREADED
INSERTS TYP



PROJECT

Wheel Well Water Tank

TITLE

Water Tank Over Wheel v6

DRAWN

Matt North

6/6/2019

SCALE 1:10

WEIGHT

SHEET 1/1