

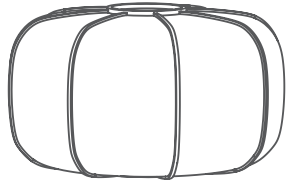
TIME & STYLE

Assembling instruction

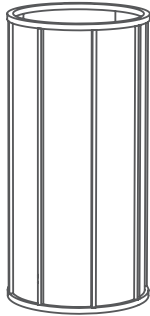
Kiku no Hana 1

Kiku no Hana 2

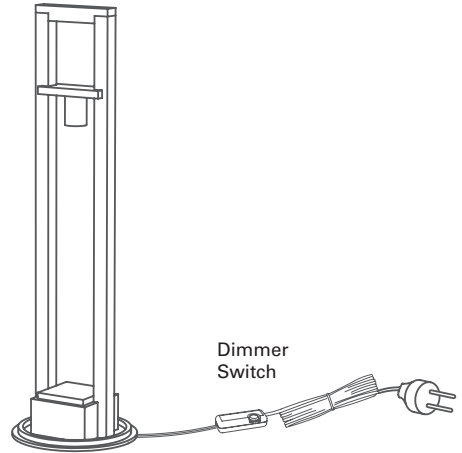
Components



Shade-1

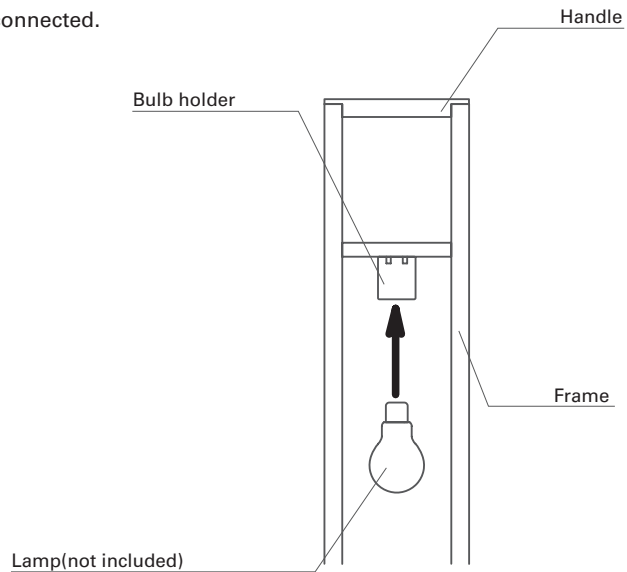
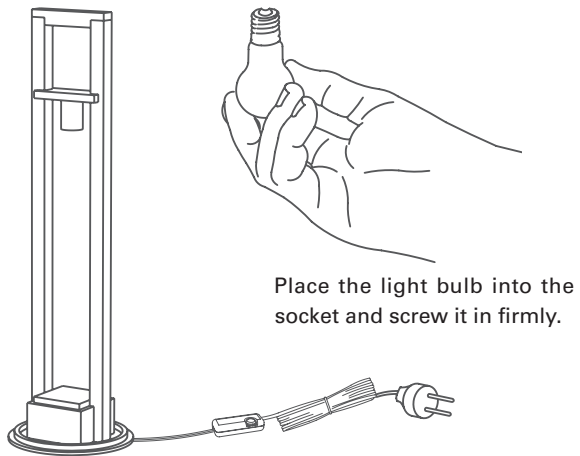


Shade-2

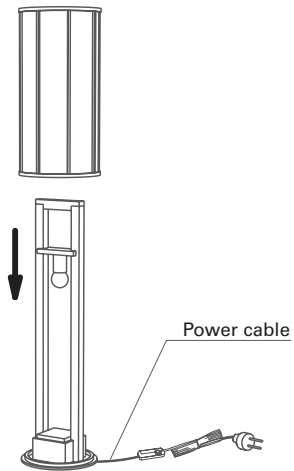


Frame

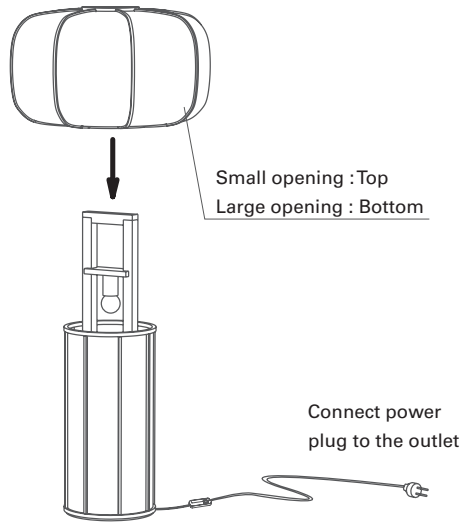
- 1** Install the light bulb (not included) 2 shades type does not need to be connected.



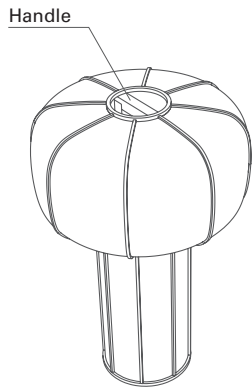
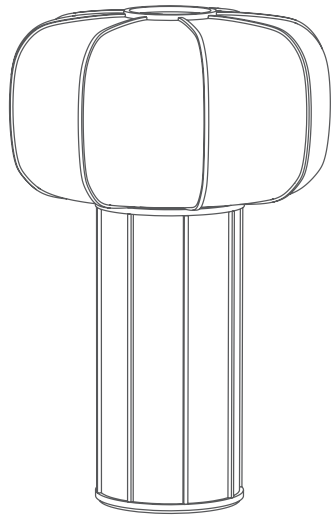
2 Fit vertically the shade-2 into the Frame



3 Fit the shade-1 into the shade-2



4 Finish



Note: Please handle the shade carefully.

Attention

- If you do not install the equipment properly according to the instructions, there is a risk of injury due to fire, electric shock, or damage.
- If you feel any abnormality, turn off the power immediately. After confirming that the abnormality has subsided, contact an electrical contractor / dealer or customer service.
- If you use a lamp with a specified wattage (W) or more, there is a risk of fire or malfunction.
- Do not improve the equipment or replace parts. There is a risk of fire, electric shock, malfunction, etc.

Prestige Japan Inc. / Customer service

Tel +81 (0)3 5464 3208

E-mail int-info@timeandstyle.com