

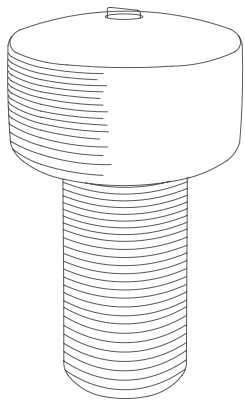
# TIME & STYLE

Assembly instructions

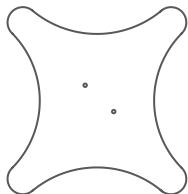
Tourou 3

Tourou 4

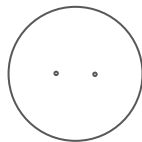
## Components



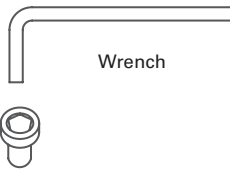
Shade



Base

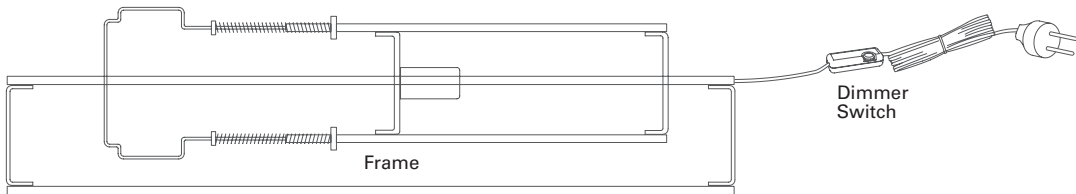


Additional base  
\*Tourou 4 only



Wrench

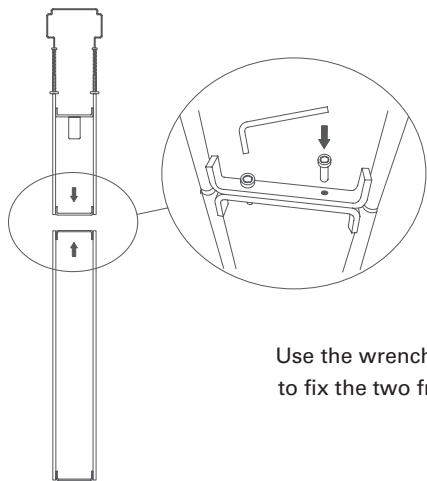
Screw x 4



Frame

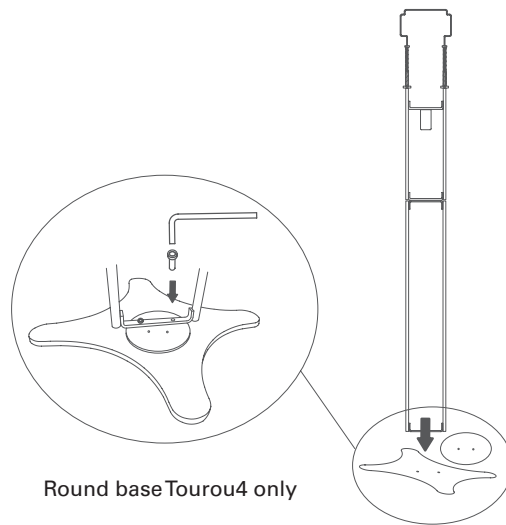
Dimmer  
Switch

# 1 Assemble the frame



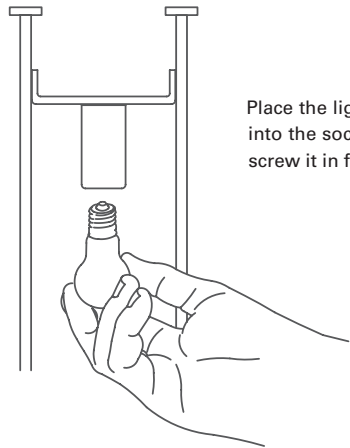
Use the wrench and screw  
to fix the two frames.

# 2 Attach the frame to the base



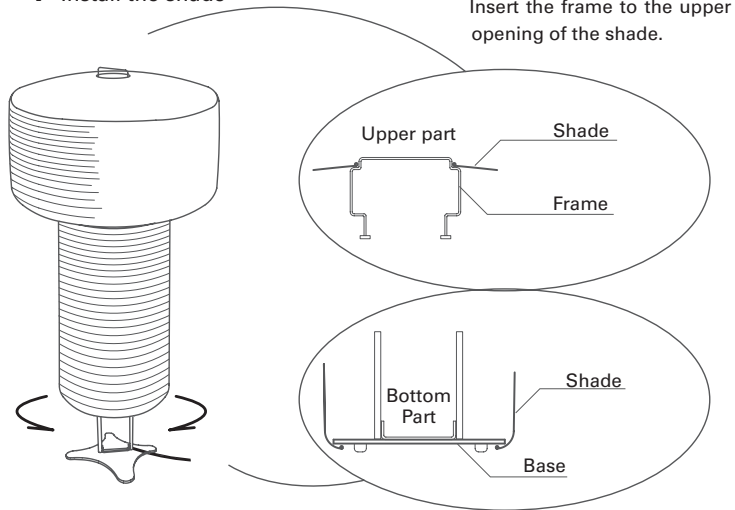
Round base Tourou4 only

### 3 Install the light bulb (not included)



Place the light bulb into the socket and screw it in firmly.

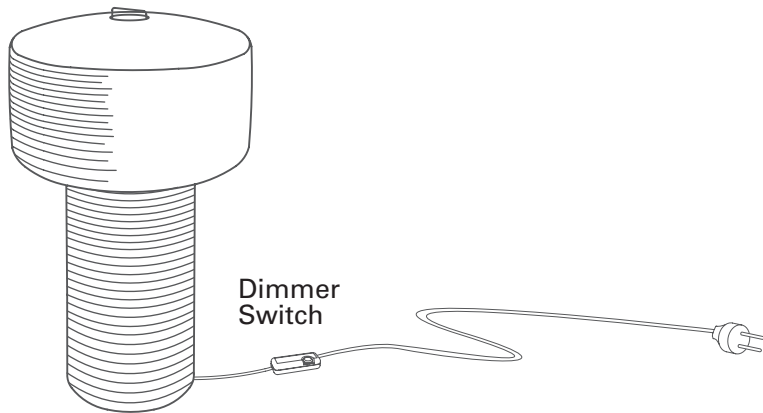
### 4 Install the shade



Insert the frame to the upper opening of the shade.

Insert the 4 edges of the base into the shade one by one.

## 5 Using the dimmer switch



By sliding the dimmer button, you can control the amount of light.

## Attention

- If you do not install the equipment properly according to the instructions, there is a risk of injury due to fire, electric shock, or damage.
- If you feel any abnormality, turn off the power immediately. After confirming that the abnormality has subsided, contact an electrical contractor / dealer or customer service.
- If you use a lamp with a specified wattage (W) or more, there is a risk of fire or malfunction.
- Do not improve the equipment or replace parts. There is a risk of fire, electric shock, malfunction, etc.

Prestige Japan Inc. / Customer service

Tel +81 (0)3 5464 3208

E-mail [int-info@timeandstyle.com](mailto:int-info@timeandstyle.com)