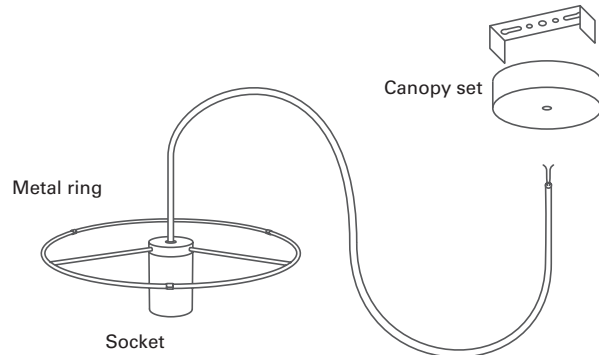
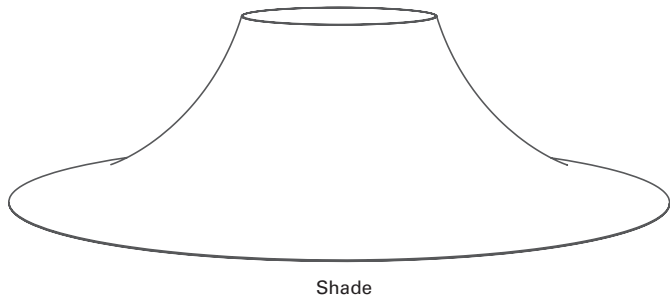


# TIME & STYLE

Assembly instructions

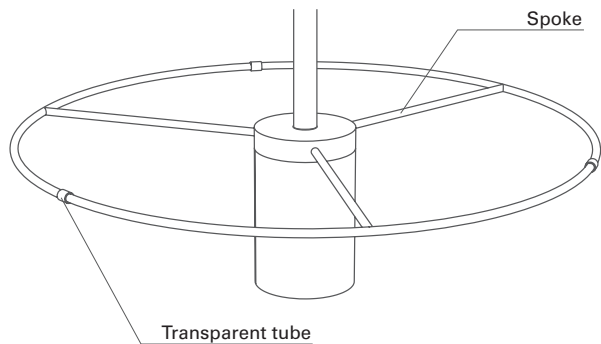
Mt. Fuji pendant

## Components



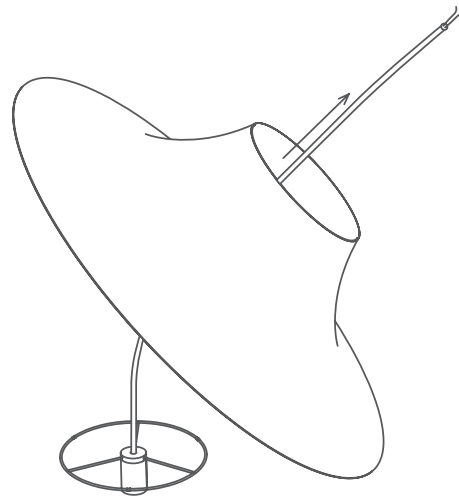
1

Please check the position of the transparent tubes.  
The tube might move during shipping.  
The correct position of the transparent tube is shown below.



2

Please pass the cord through the shade.



Please be careful not to damage the shade.

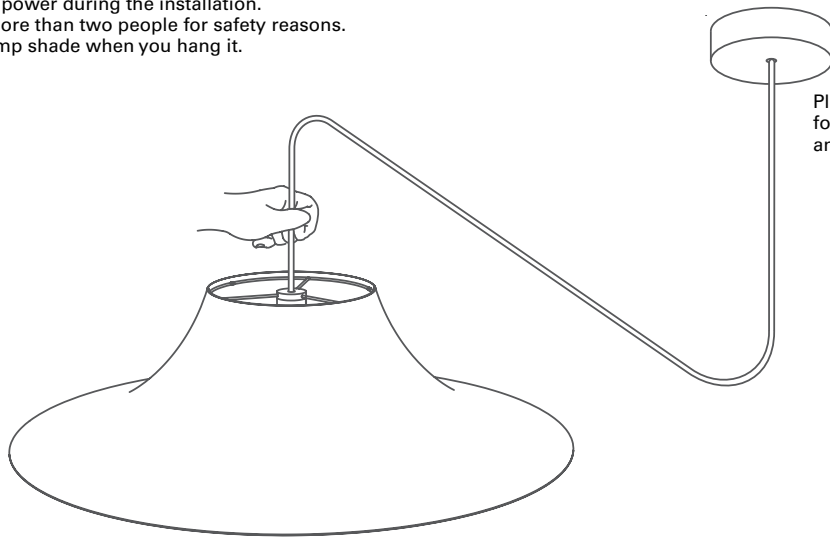
3

Please adjust the length of the cord and mount it on the ceiling

Please turn off the power during the installation.

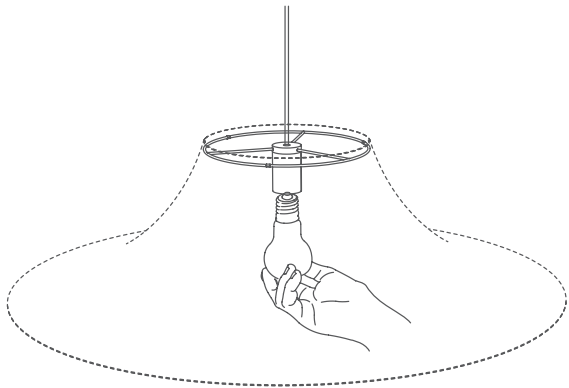
Please install by more than two people for safety reasons.

Please level the lamp shade when you hang it.



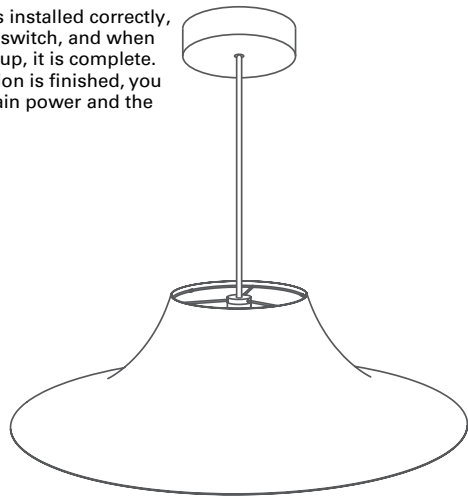
Please refer to the separate document for how to adjust the length of the cord and how to attach the ceiling canopy.

**4** Install the light bulb (not included)



Please screw the bulb securely.

**5** Finish  
Make sure that it is installed correctly, turn on the power switch, and when all the lamps light up, it is complete. When the installation is finished, you can turn on the main power and the light will turn on.



Please regularly remove dust and dirt with a dry cloth.

## Attention

- If you do not install the equipment properly according to the instructions, there is a risk of injury due to fire, electric shock, or damage.
- If you feel any abnormality, turn off the power immediately. After confirming that the abnormality has subsided, contact an electrical contractor / dealer or customer service.
- If you use a lamp with a specified wattage (W) or more, there is a risk of fire or malfunction.
- Do not improve the equipment or replace parts. There is a risk of fire, electric shock, malfunction, etc.

Prestige Japan Inc. / Customer service

Tel +81 (0)3 5464 3208

E-mail [int-info@timeandstyle.com](mailto:int-info@timeandstyle.com)