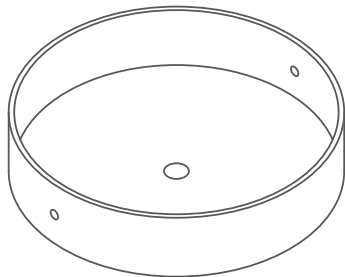


TIME & STYLE

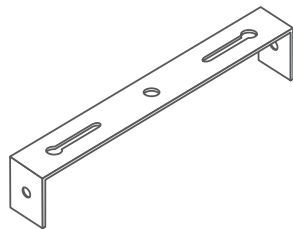
Assembly instructions

Ceiling canopy

Components



Canopy



Mounting bracket



Cable lock



Screw anchor
x 2



Screw x 2



Bolt x 2



Washer x 2

1

Fix the mounting bracket with screws on the ceiling

Attach the screw anchor to the ceiling and fix the mounting bracket with the screws

Fix the power cable inside the ceiling so that it dose not fall

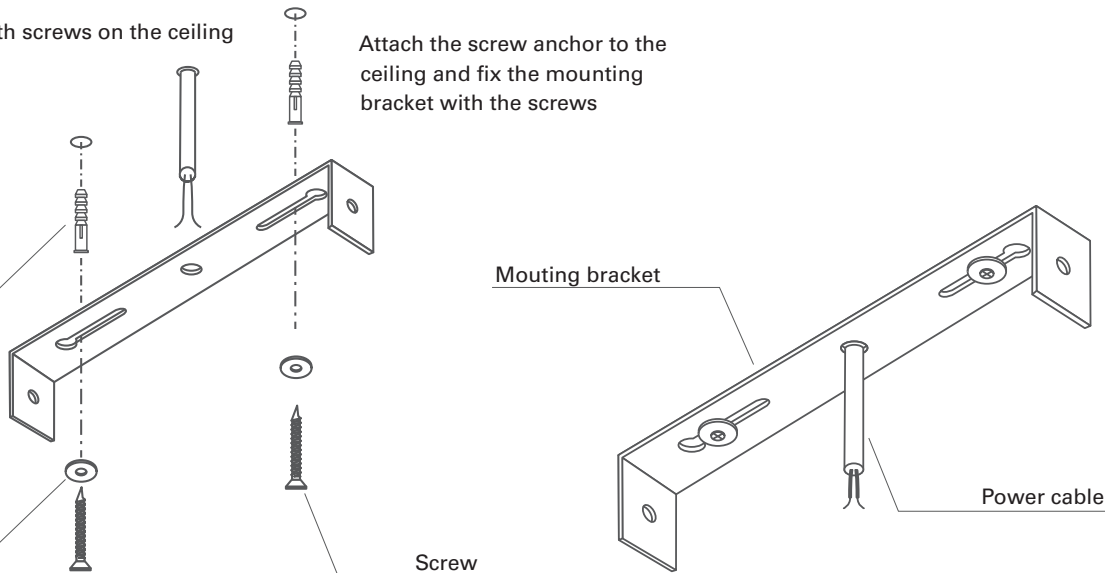
Screw anchor

Washer

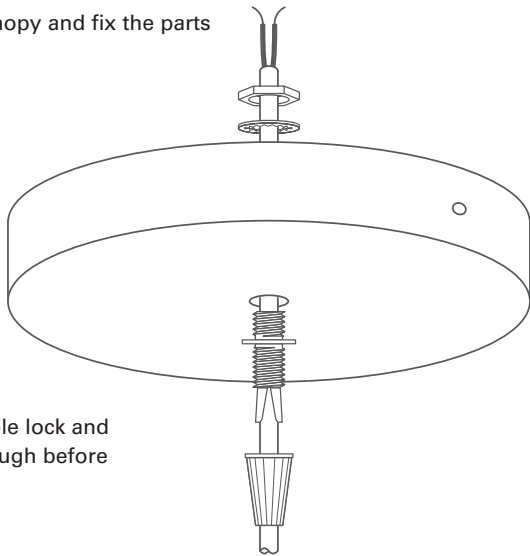
Screw

Mounting bracket

Power cable

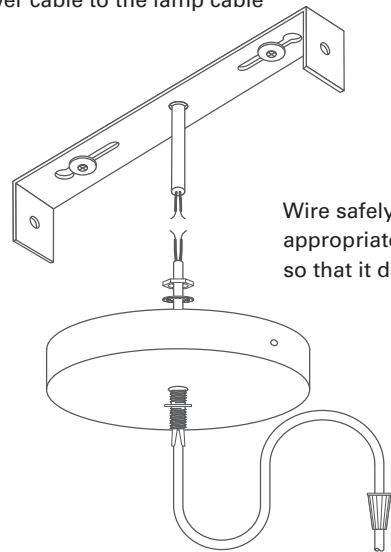


2 Install the canopy and fix the parts



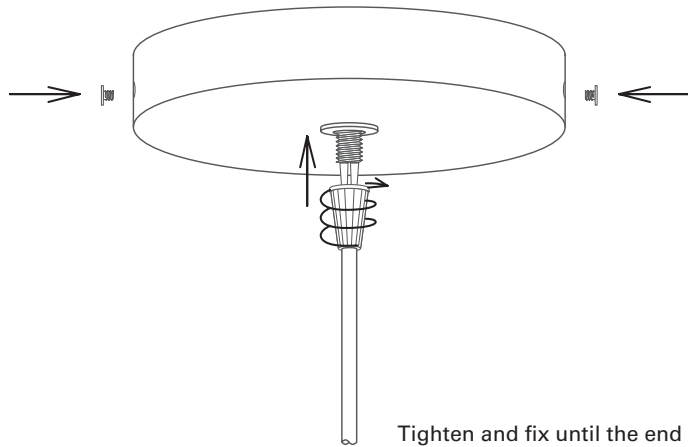
Pass the cable lock and canopy through before wiring

3 Connect the power cable to the lamp cable

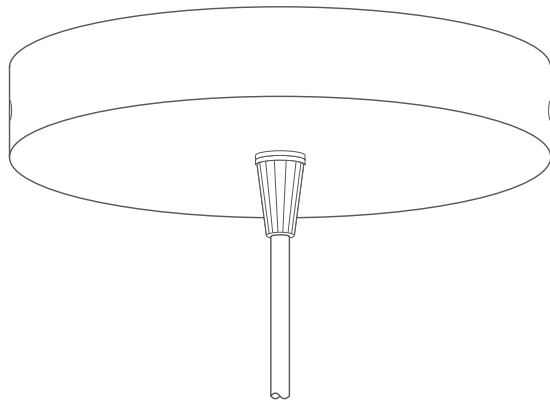


Wire safely by an appropriate method so that it does not fall

4 Set up the canopy and tighten the bolts



5 Finish



Attention

- If you do not install the equipment properly according to the instructions, there is a risk of injury due to fire, electric shock, or damage.
- If you feel any abnormality, turn off the power immediately. After confirming that the abnormality has subsided, contact an electrical contractor / dealer or customer service.
- If you use a lamp with a specified wattage (W) or more, there is a risk of fire or malfunction.
- Do not improve the equipment or replace parts. There is a risk of fire, electric shock, malfunction, etc.

Prestige Japan Inc. / Customer service

Tel +81 (0)3 5464 3208

E-mail int-info@timeandstyle.com